
Model A2-HA-xx

A2 AviatorDigital Plus™ Flashlight

Operator's Manual



**Digitally-Controlled Dual Light
Source Flashlight**

Revision A 6-1-2003

SUREFIRE®

A2 AVIATOR

Introduction

The A2 Aviator® is fitted with three LEDs (Light Emitting Diodes) surrounding an incandescent main lamp. Powered by two 3-volt lithium batteries, the Aviator features digital current regulation circuitry and a two-stage switch. The current regulation circuitry matches the lamp's current requirements to the batteries' output to achieve a more consistent (even) level of light output for the useable life of the batteries. The two-stage switch gives the user a choice of either a low-output LED or a high-output incandescent beam from a single switch. The Aviator is available in four LED colors: White (WH), Blue (BL), Green (GN), and Red (RD).

Light Activation

Depress the tailcap pushbutton switch for momentary activation. Depressing switch halfway activates the low-output LEDs. Depress pushbutton completely to activate high-output incandescent lamp: the light will stay on as long as the pushbutton is depressed. **Note:** If light fails to function, the tailcap may be in the lock-out position. Rotate the tailcap clockwise until the light can be momentarily activated.

For constant light rotate the tailcap clockwise until the LEDs activate, continue rotating to activate high-output beam. **Note:** The Aviator is a high-output lighting device and should not be left on unattended. External surface temperature will rise during prolonged operation; this is a normal operating phenomenon.

OPERATION

Lock-out Tailcap (U.S. Patent Number 6,222,138)

The lock-out position disables the tailcap pushbutton switch and is suggested to avoid accidental light activation during storage. From the momentary-on position, rotate the tailcap approximately one and one half turns counter-clockwise to lock the light in the OFF position.

Battery Replacement

Unscrew the tailcap and insert new batteries with positive ends toward LED assembly. Replace tailcap and rotate clockwise to the momentary-on position. Depress tailcap pushbutton switch to test.

WARNING: Lithium batteries can explode or cause burns if disassembled, shorted, recharged or exposed to fire or high temperatures. Do not mix with used batteries or other battery types, or put in backwards.

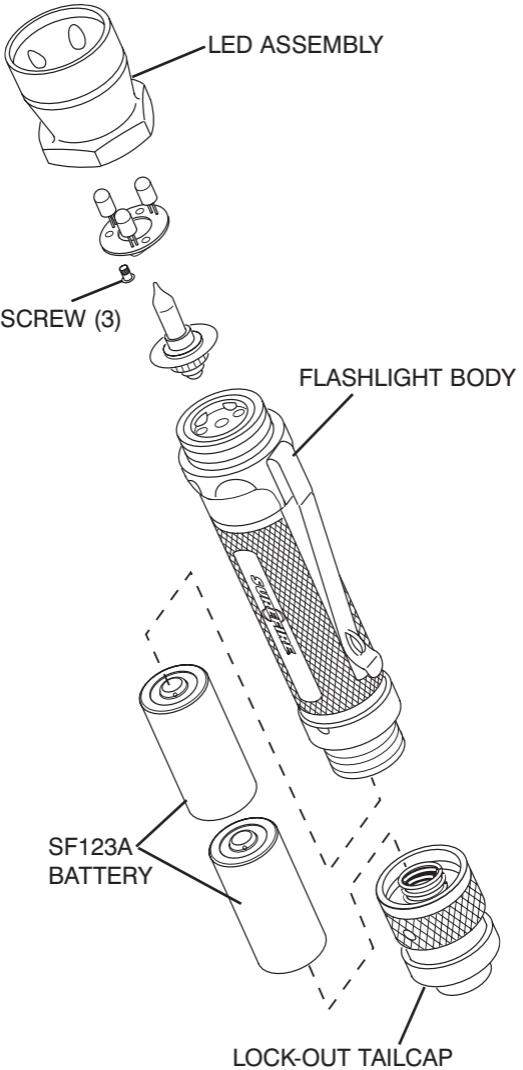
Maintenance

Twice yearly (or more frequently depending on usage) clean and lubricate threads with a clean cloth and apply thin coat of silicon-based lubricant to rubber O-rings. **Note:** DO NOT use petroleum-based lubricant on SureFire O-rings. After prolonged exposure to moisture, the bezel, lamp, and batteries should be removed, inspected, and dried if necessary.

Caution

Make sure the Lamp is off before storage to prevent damage caused from overheating the Lamp or nearby objects.

This unit has  approval

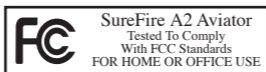


A2 AVIATOR LED

Output & Runtime

Accurately specifying light output (lumens) and runtime is more complicated for LED flashlights than it is for tungsten lamp flashlights.

What can be said, in simple terms at this time, is that the light output of the A2 exceeds the 60 lumen output of comparable SureFire tungsten lamp flashlights (6P, C2, E2e, etc.), and runtime is longer than the one hour specified for these tungsten lamp flashlights.



A2 AVIATOR LED

Warranty Claims

For repair or replacement contact Customer Service at **800-828-8809** (toll free) or **714-545-9444** and obtain a Return Merchandise Authorization number (RMA#). Then package the unit carefully and return (no COD's please) to:

SureFire
Repairs Department, RMA#____
17680 Newhope Street, Suite B
Fountain Valley, CA 92708-6122

SureFire will pay any reasonable shipping costs to return the unit to you.

Warranty

SureFire® warrants its products to be free from defects in materials and workmanship. SureFire will repair or replace, at its option without charge, any product or part found to be defective under normal use and service. Such repair or replacement shall be the purchaser's sole and exclusive remedy under this warranty. This warranty does not include normal maintenance and services and does not apply to any products or parts that have been subjected to modification, misuse, negligence, accident, improper maintenance or repair by anyone other than SureFire.

Warranty Limitation

There is no other express warranty. SureFire® hereby disclaims any and all implied warranties, including but not limited to fitness for a particular purpose. SureFire shall not be liable for incidental, consequential, or special damages arising out of, or in connection with, product use or performance.

UM_A2
71-01-604



18300 Mt. Baldy Circle, Fountain Valley, CA 92708-6122
www.surefire.com 800-828-8809