



SEE CAMP

Thank you for buying our product. The handguns we make are in keeping with our company tradition of leading the way in designing and promoting DA pistols having the maximum power to size ratio, and building quality guns we ourselves would carry were they made by someone else. Our LWS pistols, though often imitated, still set the standard. As for the larger miniguns, nearly all currently successful short slide locked breech semi-auto pistols implement the patented work we pioneered back in the late 1970s when we were doing custom gunsmithing.

Ludwig (Louis) Wilhelm Seecamp (1901-1989), after whom the company was named, was trained as a master gunsmith in the technical academy system of pre World War II Germany. Having survived the Eastern Front in an elite Gebirgsjaeger (Mountain Troops) unit, he brought his family to the United States in 1959 by way of Canada. From 1959 until his retirement in 1971, he was the gun designer for O. F. Mossberg.

L. W. Seecamp Co., Inc. was founded in 1973 as a family business specializing in Ludwig's patented (#3722358) double action conversion of the venerable 1911 semi-auto pistol (Colt .45). This conversion, done during a period when the single-action versus double-action controversy was at its peak, resulted in the first commercially available DA .45 autoloaders anywhere in the world. Nearly 2000 such DA conversions were done from the early 70s to the early 80s. Ludwig had become a firm believer in the value of DA after a Walther P-38 saved his life in WWII. That incident, which left him with a cheek-long scar and some missing teeth from a bullet wound, also convinced him point shooting rather than sight use is the reality in close range combat. Having been a fan of the 1911 but being also an advocate of DA carry, commercial conversions were a natural outgrowth of the Colt 45 that Ludwig had converted to DA for his own personal protection.

In 1979 Seecamp Co. introduced as part of its gunsmithing package the telescoping recoil system that has become the predominant spring system used by modern short-slide short-recoil autoloaders. This system is the subject matter of patent #4201113 issued to Ludwig's son and Seecamp Company co-founder Lueder (Larry) Seecamp. In the September/October 1979 issue of American Handgunner in an article entitled "The Rolls Royce of Bobcat .45's," Mason Williams said: "This is such a major development in the field of (miniaturization of)

automatic pistols that it could easily be considered the most significant development in a hundred years in this field.” While the patent was still active, the system was used by Glock, Colt, Kahr, Cylinder and Slide, Para-Ordnance and Lasermax (for use in the laser units for the mini-Glocks). After the expiration of the patent in 1998, other manufacturers such as Kimber, Taurus, IM Metal, Springfield Armory, etc., quickly adopted the system for use in their short slide autos.

By the late 1970s a number of DA .45s, including the excellent Browning BDA (later SIG), had appeared on the market. Gunsmithing was thus abandoned for manufacture. Introduced in 1981 was the LWS .25 to fill a niche that had fallen into neglect. After the gun control act of 1968, small quality pistols were hard to find. Moreover, the brilliant concept of double action only had lain dormant for over a quarter century and was due for a revival. All DA only pistols, more properly referred to as trigger cocking only pistols, are the grandkids of either the Czech CZ36/CZ45 design if they have hammers or the French LeFrancais design if they are striker fired. The LWS is a descendant of the Czech line. The Glocks and the Keltecs are descendants of the French line. Credit should be given where credit is due.

The LWS .25 helped revive DA only and small pistol manufacture. It was the world's first stainless steel DA only pistol, and it was also the first DA only hammer fired semi-auto made in the USA. This design was covered by U.S. patents 4,428,138 and D269,896 issued to Ludwig (Louis) Seecamp. The LWS design has remained essentially unchanged since 1981 except for caliber — the numbers after LWS designating the caliber upgrade.

Prior to the introduction of the LWS .25, firearms manuals did not address the issue of self-defense. It was pretended in the manufacturers' instruction manuals, no doubt on the advice of high priced lawyers, that every pistol was a target pistol. Extensive sections of our first manual were reprinted in gun magazines because a manufacturer officially acknowledging self-protection as a legitimate reason for owning a firearm was a completely novel concept at the time. It was almost as shocking as bringing out a pistol without sites.

On the matter of sights: We do not put sights on the LWS because we do not seek to encourage firearms misuse or suggest a non-existent capability. The LWS is designed strictly for self-defense. At very best, the site radius on an LWS would be around four inches and the sights would have to be kept small to keep the gun snag free, which is hardly adequate for long distance shooting. Moreover, half the day is made up of night and anyone who has watched even a single episode of Cops on TV will see that almost all the scenes are filmed when it's dark. Crimes usually happen under bad lighting conditions at short range. Assaults and robberies are overwhelmingly short range affairs. If you can't hit the target without pointing and shooting, be sure to have a good lawyer lined up to explain why your life was threatened at a distance where you needed sights. Sights are an offensive tool and the LWS is not an offensive weapon. If you intend chasing bank robbers, you need something bigger.

All other things being equal, the bigger the gun the less effective it is for close range self defensive use. The larger the pistol, the greater is the effort required to hide it from public view. The greater the effort required to hide it, the less accessible it becomes. Small pistols allow easy access without having to make a threatening display. Efforts to ban small guns where concealed carry is legal are patently sexist in that they discriminate against individuals on the basis of size and dress habits. A 120 pound woman does not have the same concealed carry options as a 220 pound man.

Around 1985 the LWS .25 was discontinued and the LWS .32 was introduced. The larger pistol remained exactly the same size, which at the time was considered an amazing feat. The caliber .32 had at the time of the introduction of the LWS .32 been relegated to the dustbin of firearms history. Today .32 caliber is thriving in very great part because of the LWS .32 and its clones — and the demonstration that such a market existed.

2003 saw the introduction of the LWS .380 to commerce, which gun is identical in size and weight to the LWS .25 or the LWS .32. As to the benefits of the larger caliber: There are stopping power arguments about bullet speed but no one argues about hole size. A bullet that is less than .380 size may or may not expand to .380 size. A bullet that is already a .380 doesn't shrink. While larger calibers are generally more effective, smaller calibers

are easier to manage for recoil recovery time — the time it takes to control follow-up shots. It is therefore a shooter's choice as to whether the LWS .32 or the LWS .380 is the more effective weapon for them. (A 34 ounce bat works well for some hitters, but big bats only offer an advantage if they can be easily controlled. The rule of thumb is, the biggest bat you can easily control is the best bat for you. )

We try our very best to ensure all pistols leaving our shop look good and work well — those two things somehow seem to go together — but we can never get to know your gun as well as you can and we strongly recommend you test fire any gun you choose to carry as a defensive piece.

Every pistol that leaves here, whatever caliber, is fired a minimum of two full magazines. Your pistol should not require a breaking in period. If you experience problems, they are not liable to go away by shooting the gun more. If a pistol that was functioning flawlessly develops problems, and the cause cannot be traced to ammunition, send the gun back to us for repair. Under no circumstances continue to fire or carry a gun that suddenly develops problems. We wouldn't think of continuing to drive a car that developed a problem hoping further driving would clear the problem up, and we should treat guns no differently.

In doing a function test, you are better off shooting 43 rounds from a box of ammo without a failure and loading the last 7 from that same box than you would be shooting 200 without a failure and loading ammo from a different lot than was used in your 200 round test. For reasons that appear to be purely arbitrary, 200 rounds has become a magic number tossed about when discussions focus on reliability testing. Ignored is the fact ammo lots can and do differ and getting 200 rounds of failure-free performance from one lot of ammo does not guarantee the same results from a different lot. If ammunition production lots were totally identical, there would be no need for manufacturers to use lot numbers from which to gather quality control information. The lot number is located on one of the inside flaps of the ammo box.

Visually inspecting your ammunition will give you a good clue as to its expected performance. The clue here is consistency. Are the rounds the same length? Does the mouth of the case, that part where the bullet is seated,

look the same from one case to another? The rule of thumb here is that if the rounds look identical, they will work. If there is a perceived difference, the rounds in the majority will work. Some manufacturers only shoot sample guns. We shoot each and every gun. If you notice some internal powder residue on your pistol, it is because we deliberately leave it there as testimony to our quality control. The residue will not adversely effect your gun. There is no reason to clean it.

A question often asked is whether keeping a magazine loaded might over a period of time affect reliability. The answer is a simple no. More stress is put on a modern magazine spring in one shooting session than there is in keeping the magazine loaded over a period of years.

What is the lifetime of the LWS pistol? While it is true the larger .380 caliber will require more maintenance than the .32, we do not anticipate any gun wearing out beyond our ability to restore it to an as new condition.

Springs are elastic contrivances that store energy. The ability of compression springs to store energy decreases when those springs are subjected to torsional stress greater than 40 to 60 percent of the minimum tensile strength of the spring wire. While the smaller caliber LWS .32 normally does not require new recoil springs during its life span, the recommendation is the LWS .380 recoil springs be replaced roughly every 300 rounds. Just as a bungee cord that has a life of at least 1000 jumps should be replaced well short of the lower safe limit, we suggest 300 rounds as being well within the margin of safety.

The Seecamp LWS, California Edition excepted, has no manual safeties. It is straight double action, and like a revolver requires a long trigger pull for every shot. The gun is safe before you pull the trigger and safe after you pull the trigger — the length of the trigger pull securing the gun against accidental firing. The California Edition has a cross bolt trigger safety that we feel elegantly and unobtrusively fulfills the requirements of those states that require manual safeties on semi-automatics.

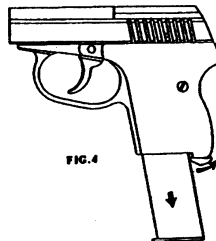
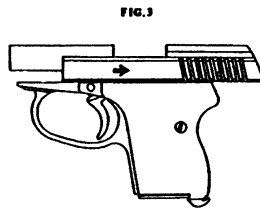
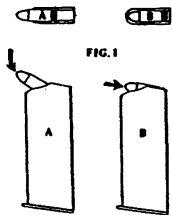
**IMPORTANT:** Read this brochure. For information on magazine safety function, study the **NOTE** after the **UNLOADING** description. Do not assume anything. Read completely.

## **WARNINGS:**

1. A gun is as safe or dangerous as the person who controls its use. Learn about your gun, its maintenance, and the rules of safe gun conduct. And above all, maintain control over your gun. Make it yours. The more people you tell about your gun, the less valuable it becomes to you as a defense tool and the more dangerous it is to your own safety. If there is no reason for you to tell someone you own a gun for self defense, then there is every good reason for you to keep that fact to yourself. Keep your defense posture private!!!
2. Always treat a gun as though it were loaded. Safe gun handling should become a part of your second nature, so that any momentary lapse in concentration is covered for by deeply ingrained habits of safe conduct.
3. Never put your finger on the trigger of a gun unless you intend pulling the trigger. Until then, keep your fingers out of the trigger guard.
4. Do not point your gun at anything you do not wish to shoot. When handling a gun, make it a habit to always be aware of the direction in which the muzzle is pointing. That is: As you handle a gun, ask yourself where a shot would go if the weapon were to discharge at that moment. Be sure there is no living thing ever at the end of that muzzle which doesn't belong there, including parts of your own body.
5. Never give up possession of a loaded gun. If you must hand over your gun to someone for inspection, completely unload it before it leaves your hands. If someone passes you a gun, on the other hand, never take his or her word that it is unloaded. Check for yourself. Always remove the magazine from an automatic before checking to see whether the chamber is empty.

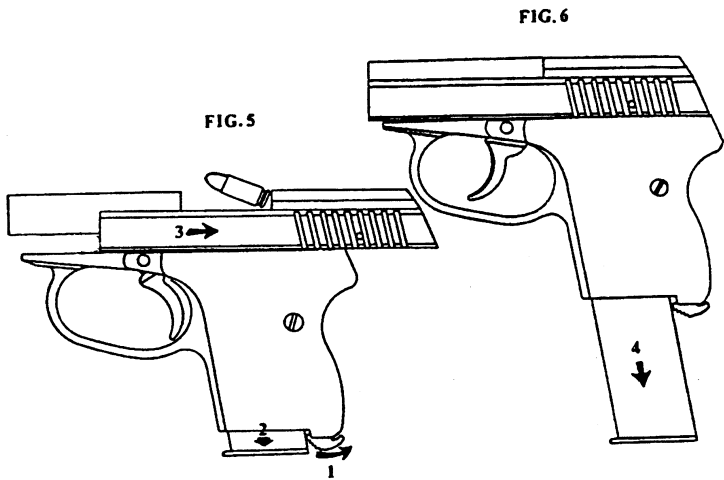


6. Maintain control over your gun even when it is not immediately under your personal supervision. Reduce the possibility of unauthorized access by storing guns and ammunition separately, preferably under lock and key, but securely out of the reach of children. In the case of the Seecamp LSW pistol, separate the magazine and gun whenever the gun is left unattended for however brief a moment, and be sure that the gun is completely unloaded- with magazine, pistol and ammunition stored separately- during longer periods of unattendance. Remember also that visibility invites unauthorized use. (Important See NOTE under UNLOADING procedure for instructions on how the magazine safety operates. Do not assume you know how our magazine safety works because you are familiar with other guns.)
7. Before using a gun, check the barrel to see that it is free from obstructions. Clean the weapon after use.
8. Do not use reloaded ammunition or ball ammunition, but USE ONLY CLEAN AND DRY AMMUNITION. Do not oil a gun that is loaded, as some types of oil will penetrate the primer (detonator) of a cartridge and may cause failure to discharge.
9. Be sure of your target when you shoot, and also take into account the possible consequences of an errant shot. A safe backdrop is therefore important.
10. Do not shoot at water or at hard, flat surfaces as a ricochet may substantially alter the course of the bullet.
11. Wear ear protection and eye protection when shooting.
12. In the event of a misfire, wait thirty seconds before emptying the chamber of a misfired round, keeping the gun pointed down range. If the primer print is no smaller than usual discard the round as per the ammunition manufacturers' instructions. If the print is weak, have a qualified gunsmith examine the gun.



### **LOADING: (Figs. 1 through 4)**

1. Insert cartridge into magazine as shown in A and B of Fig. 1.
2. Insert magazine into magazine well of pistol as shown in Fig. 2.
3. Retract slide as shown in Fig. 3. On releasing slide, the round will enter the chamber of the barrel.
4. Remove magazine as shown in Fig. 4. (Hold the weapon in your shooting hand as if to fire, with your fingers out of the trigger guard and the gun pointed in a safe direction. Extend the fingers of your shooting hand, keeping the gun securely grasped between your thumb and palm and face the palm of your hand up. With the free hand, use your thumb to pivot the magazine catch to the rear and your forefinger to pull the magazine down and out of the magazine well. NOTE. Keep the gun pointed in a safe direction at all times. Do not put fingers or any part of your own body in front of the muzzle.)
5. Load the magazine with six cartridges.
6. Insert the loaded magazine into the magazine well of the pistol. being sure that the retaining lip of the magazine catch is securely locked underneath the rear of the magazine.



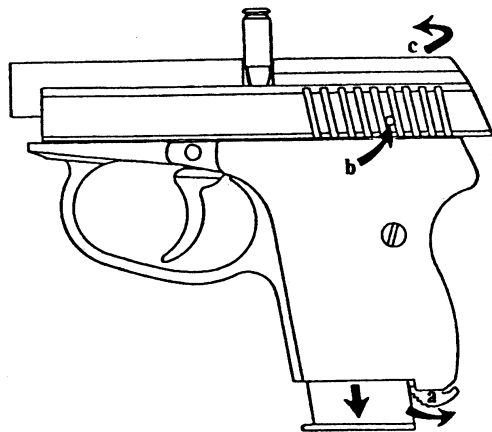
## **UNLOADING: (Figs. 5 and 6)**

1. Pivot magazine catch to rear.
2. The magazine will drop down a small distance when the magazine catch is pivoted to the rear.
3. Retract slide to empty the chamber.
4. Completely remove the magazine.
5. Retract the slide for a visual confirmation that the chamber is indeed empty. (The slide will retract far enough to allow such inspection with the magazine removed.)

NOTE: When the magazine is removed, the gun cannot be fired by pulling the trigger and the slide cannot be retracted far enough for a feed cycle. If there is a round in the chamber and the magazine has been removed, a child can thus neither pull the trigger to fire the gun nor gain access to that live round for potential play which might result in detonation. Additionally, the slide blockage deters the type of slide manipulation and manual chambering and extraction of ammunition which could have disastrous consequences. We believe our gun is as safe as a gun can be made, and strongly urge those safety features it incorporates be used to their ultimate advantage. Remove the magazine whenever the gun is left unattended for however brief a moment, and completely unload the weapon - empty chamber, magazine removed -whenever the weapon is unattended for a significant period of time.

Store ammunition, gun, and magazines separately.

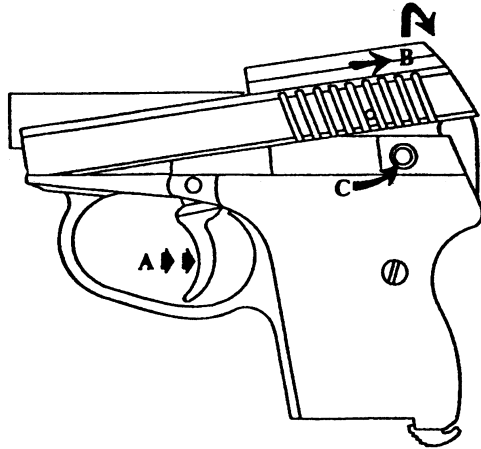
FIG.7



### **FIELD STRIPPING: (Fig. 7.)**

1. Follow the 5 step UNLOADING procedure.
2. Retract the slide and insert a cartridge, bullet end facing down, in the open space between the slide and frame as shown. Release slide. (Magazine may have to be reinserted to allow sufficient slide movement.)
3. Insert a pin into the slide hole indicated by arrow **b** and depress a spring loaded slide retainer plunger situated in the frame at the hole area.
4. Simultaneous with 3, lift the slide up at the rear as indicated by arrow **c**.
5. Holding the rear of the slide upwardly, move the slide forward to separate it from the frame.

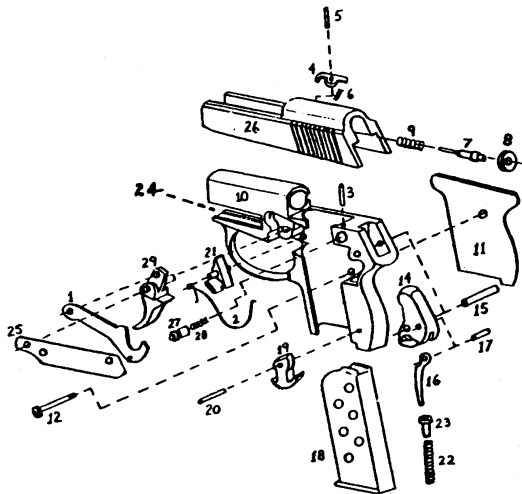
FIG. 8





**REASSEMBLY: (Fig. 8)**

1. Draw back the hammer slightly so it engages the draw bar. Release hammer.
2. Position the slide as shown in Fig. 8. **Double end of recoil spring assembly goes into frame.**
3. **With empty magazine in gun and empty chamber, pull trigger slightly to cock hammer out of way of projected slide path. Hold draw bar down against trigger until slide captures bar.**
4. Pull upwardly and rearwardly on the back of the slide until the slide clears the frame. Then pivot the rear of the slide downwardly.
5. When the slide touches the slide retainer plunger indicated by arrow C, release the trigger - continuing to press downwardly at the rear of the slide.
6. Depress the slide retainer plunger at arrow C to allow the slide's movement past said retainer plunger.
7. Exerting downward pressure at the rear of the slide, wiggle the slide frontward and backward to lock the slide into place.
8. Pull up on the rear of the slide to ensure that it is indeed locked in place.

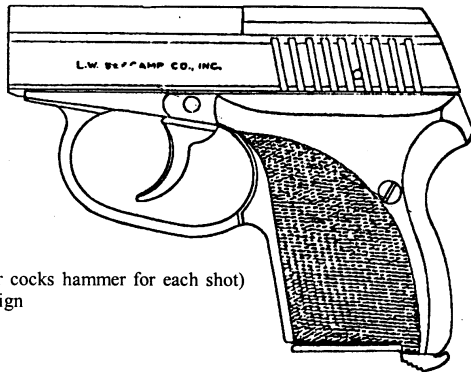


## PARTS LIST

- |  |                           |
|--|---------------------------|
| 01. Draw bar                           | 26. Slide                 |
| 02. Draw bar spring                    | 27. Slide retainer        |
| 03. Ejector                            | 28. Slide retainer spring |
| 04. Extractor                          | 29. Trigger               |
| 05. Extractor pin                      |                           |
| 06. Extractor spring                   |                           |
| 07. Firing pin                         |                           |
| 08. Firing pin stop                    |                           |
| 09. Firing pin spring                  |                           |
| 10. Frame                              |                           |
| 11. Grip                               |                           |
| 12. Grip screw                         |                           |
| 14. Hammer                             |                           |
| 15. Hammer pin                         |                           |
| 16. Hammer strut                       |                           |
| 17. Hammer strut pin                   |                           |
| 18. Magazine                           |                           |
| 19. Magazine catch                     |                           |
| 20. Magazine catch pin                 |                           |
| 21. Magazine safety                    |                           |
| 22. Mainspring                         |                           |
| 23. Mainspring cap                     |                           |
| 24. Recoil spring assembly (not shown) |                           |
| 25. Side plate                         |                           |

**LWS-.32 / LWS-.380**

- Caliber: .32ACP / .380ACP
- Magazine capacity: 6 rounds
- Operation: Straight double action (trigger cocks hammer for each shot)
- Action: Semi-automatic blowback design
- Sights: None. Smooth snag-free top.
- Safeties: Magazine safety.
- Overall length: 4¼ inches
- Overall height: 3¾ inches
- Width: 9/10 of an inch
- Weight unloaded: 11.5 ounces
- Construction: Predominantly stainless steel.  
Where advised, select parts such as springs are of appropriate non-stainless steels.
- Grips: 10% glass filled nylon.



**WARNING CONCERNING LEAD AND LEAD COMPOUNDS**

THE DISCHARGE OF FIREARMS IN POORLY VENTILATED AREAS, CLEANING FIREARMS, OR HANDLING AMMUNITION MAY RESULT IN EXPOSURE TO LEAD OR LEAD COMPOUNDS. LEAD IS KNOWN TO CAUSE BIRTH DEFECTS, REPRODUCTIVE HARM, AND OTHER SERIOUS PHYSICAL INJURY. HAVE ADEQUATE VENTILATION AT ALL TIMES AND WASH HANDS THOROUGHLY AFTER CLEANING FIREARMS OR HANDLING AMMUNITION.

**Do Not Discard This Manual**

---

**LWS-.32 . LWS-.380**  
**INSTRUCTION AND SAFETY MANUAL**

---

**L.W. SEECAMP CO., INC.**  
**301 BREWSTER ROAD**  
**MILFORD, CT 06460**

**FAX (203) 877-3429**

**EMAIL: [seecamp@optonline.net](mailto:seecamp@optonline.net)**