

J. P. Sauer & Sohn



gegründet 1751

SSG 3000



Handling and Safety instructions

Important! Do not discard!

Keep this manual with your firearm.

Upon change of ownership transfer this manual with the firearm.

Table of contents



1	General instructions	2	8	Dismantling	18
2	Safety regulations	3	8.1	Removing the stock	18
2.1	Safety instructions	4	8.2	Removing the carrying sling	18
3	Product description	5	8.3	Removing the barrel	19
3.1	Main parts	5	9	Assembly	19
3.2	Main features	6	9.1	Fitting the barrel	19
3.3	Scope of supply	6	9.2	Installing the stock	20
4	Transporting the gun	7	9.3	Fitting the carrying sling	20
4.1	Transport	7	10	Training system cal. 22 lr. (optional)	21
5	Handling the gun	7	10.1	Caliber conversion cal. 22 lr.	21
5.1	Preparing the gun	7	11	Accessories	22
5.2	Ammunition	8	11.1	Scopes	22
5.3	Loading the gun (ready to fire)	8	11.1.1	Installing the scope	22
5.4	Discharging a shot	9	11.1.2	Removing the scope	22
5.5	Reloading during shooting	10	11.2	Adjusting eye relief length	22
5.6	Unloading the gun	11	11.3	Removing the mirage band	23
5.7	Bolt	11	11.4	Installing the mirage band	23
5.7.1	Cocking the bolt	11	12	Care	24
5.7.2	Removing the bolt	12	12.1	General remarks	24
5.7.3	Inserting the bolt	12	12.2	Cleaning the barrel	24
5.7.4	Uncock the firing pin	13	12.3	External metal surfaces	25
5.8	Magazine	13	13	Extras	25
5.8.1	Removing the magazine	13	13.1	Installation of optional accessories on the mounting rail	25
5.8.2	Inserting the magazine	13	14	Dealing with problems	26
5.8.3	Loading the magazine	13	14.1	Cause and correction of malfunctions	26
5.9	Trigger	14	14.2	Shipping the gun	28
5.9.1	Setting the take-up	14	15	Installation of optics and accessories	28
5.9.2	Setting the trigger position	15	16	Technical specifications	29
5.9.3	Setting the let-off point	15	17	Accessories	30
6	Safety lock	15	18	Spare parts	30
6.1	Safety OFF	15	18.1	SSG 3000 spare parts	31
6.2	Lock	16	18.2	Spare parts for training system .22 lr. (optional)	34
7	Stock	16			
7.1	Removing the cheekpiece	16			
7.2	Stock setting options	17			
7.2.1	Adjusting cheekpiece offset	17			
7.2.2	Adjusting cheekpiece for height	17			
7.2.3	Adjusting the buttplate length	17			
7.3	Installing the cheekpiece	17			



1 General instructions

Be sure to read through these instructions carefully before any manipulation on this SAUER gun.

Understanding these instructions and the technically correct implementation of the information contained therein are **imperative** for the correct preparation and safety during handling, maintenance and care of this SAUER gun. Do not use the gun until you have fully understood all safety instructions and handling procedures. Should you require further information, do not hesitate to contact your dealer, importer or the manufacturer.

Please observe the local and national legislation governing the ownership, carrying and use of firearms.

Be aware that this gun, like all firearms, is dangerous. The gun accompanying these Handling and Safety Instructions has been sold under the express understanding that the manufacturer and the importer of the gun decline any responsibility for consequences of manipulations on the gun or use of the gun.

This applies in particular to liability for bodily harm or damage to property resulting in part or in whole to:

- use with criminal intent or negligent use,
- improper or careless handling,
- defective, incorrect, hand-charged or recharged ammunition,
- inadequate care of the gun (e.g. corrosion, damage),
- disregard of malfunctions,
- resale in contradiction of regional legislation and regulations,
- other circumstances beyond our direct and immediate control.

These limitations apply regardless of whether liability is asserted on the basis of contract, negligence or strict liability (including any failure to warn).

The manufacturer and the importer are not liable for incidental or consequential damages such as loss of use of property, commercial loss or loss of earnings and profits.



2 Safety regulations

- Never use the gun under the influence of alcohol or drugs, during illness or other complaints; they may influence your judgement and reflexes.
- Always treat the gun as loaded and unlocked until you have made sure to the contrary by unloading it.
- During all manipulations, keep the muzzle of the gun pointed in a safe direction. Safe directions are defined as areas where there are no people, other living creatures or other people's property.
- Never point the gun at doors, window panes, walls, concrete, stones or other flat surfaces (including water). Shots can penetrate such surfaces or be deflected into unsafe directions by them.
- Never aim at yourself or other people.
- Never rely on safety mechanisms. They are never a substitute for careful and correct handling of the gun.
- Always handle your gun as if the safety mechanisms were not functional. The best safety device is the correct, well-exercised and secure handling of the gun.
- Never shoot a gun into which there has been ingress of water, sand, dirt or other foreign bodies.
- Never release the tension on the firing pin merely by pulling the trigger.
- Never let a loaded gun out of your hands.
- Always unload the gun immediately after shooting, before putting it down, putting it in its case or handing it to another authorised person.
- Never hand the gun to any person who has not thoroughly familiarised himself or herself with the safety regulations and handling of the gun by reading the accompanying instructions.
- Never leave the gun lying around unattended. Unauthorised persons can cause damage or threaten or kill people with it, for which you might be liable.
- Never store the gun loaded, but remove the magazine and verify through unloading there is no round in the barrel chamber.
- Always keep the gun and the ammunition in different places and ensure that neither can fall into the hands of unauthorised persons or children.



2.1 Safety instructions

In the individual sections of these instructions, the following safety indications alert you to various risks:



WARNING!

Information on risks which, if not scrupulously observed, can lead to severe bodily harm or death.



CAUTION!

Information on risks which, if not scrupulously observed, can lead to bodily harm or damage to the gun.

CAUTION!

Information on technical requirements which, if not scrupulously observed, can lead to damage to the gun.

- Each safety indication consists of:
 - a header with a signal word, icon and a corresponding colour shading
 - a specification of the type and source of the risk
 - a specification of potential consequences if the safety indications are not observed
 - specifications of measures and prohibitions designed to avoid risks



3 Product description

3.1 Main parts

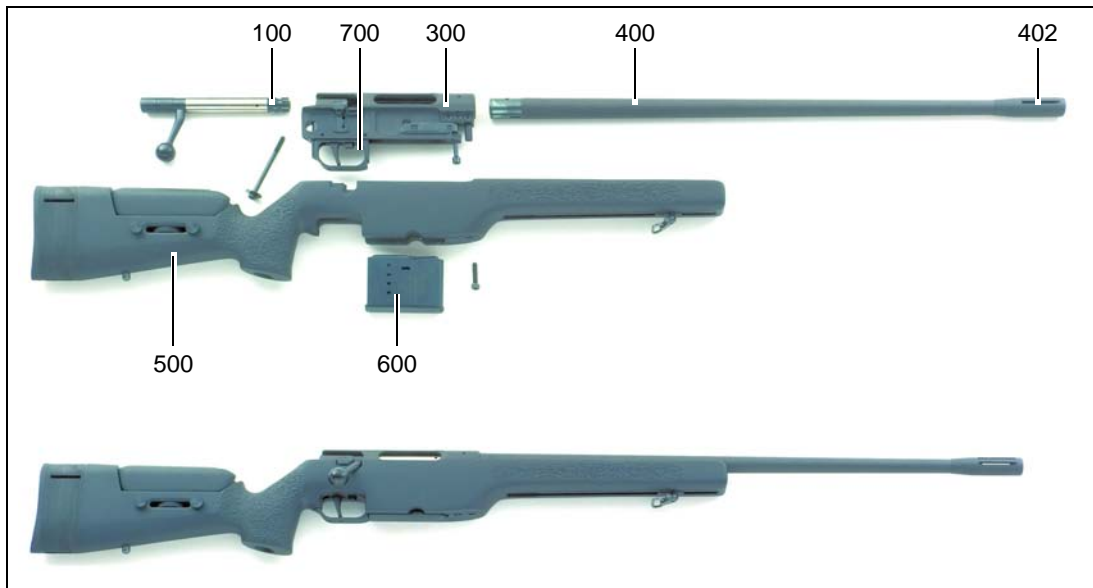


Abb. 1, SSG 3000 with McMillan plastic stock

Pos.	Description
------	-------------

- | | |
|-----|------------------|
| 100 | Bolt |
| 300 | Magazine tube |
| 400 | Barrel |
| 402 | Flash suppressor |

Pos.	Description
------	-------------

- | | |
|-----|-------------------|
| 500 | Stock |
| 600 | Magazine |
| 700 | Trigger mechanism |



3.2 Main features

The SAUER SSG 3000 precision rifle is a manual type repeating rifle developed to meet the specific requirements of law-enforcement and military sharp-shooters.

The modular design concept allows primary components such as the receiver, barrel, trigger system, stocks and bolt to be rapidly and readily exchanged. Consequently, maintenance logistics are both simple and efficient.

The SSG 3000 is an easily handled repeating rifle featuring a double stage trigger pattern. Integrated mounts permit immediate and secure fitting of a wide variety of sighting equipment.

3.3 Scope of supply

The standard scope of delivery includes:

- 1 x gun
- 1 x magazine
- 4 x Allen key
- 1 x Allen spanner
- 1 x Handling and Safety Instructions manual
- 1 x 10 g SAUER Premium gun grease
- 1 x SAUER plastic case
- Warranty card



Abb. 2, Standard scope of supply



4 Transporting the gun

4.1 Transport



WARNING!

Uncontrolled discharge of shot May lead to death or severe injuries

- When transporting your firearm, always keep it unloaded (see section 5.6) and decocked for your own safety and for the safety of others.
- Never carry a cocked gun containing a round in the barrel chamber.
- Always carry the gun in such a manner that, should you fall or otherwise slip, you are able to control the direction of the muzzle.
- Transport the gun separate from the ammunition in a locked carrying case.
- The gun and ammunition must be out of the reach of children and other inexperienced or unauthorized persons.
- Ensure that you comply with all regional and national laws relating to the transport of firearms.

5 Handling the gun

5.1 Preparing the gun

Note:

The gun is supplied with a protective and preserving oil and grease coating, and excessive protective oil and grease must be removed prior to first commissioning.

The SSG 3000 and its accessories are packed in a rugged carrying case to protect them against impact.

For safety reasons the bolt and the magazine must not be inserted during:

- first commissioning and
- taking possession of the gun.



WARNING!

Undefined condition of the gun May lead to death or severe injuries

- If the shooter takes possession of the gun in any other condition it must be treated as loaded and unlocked.

Procedure:

1. Unload the gun (see section 5.6).
2. Remove the bolt (see section 5.7.2).
3. Check whether ammunition is still in the barrel chamber or in the magazine.
4. Clean the barrel (see section 12.2).
5. During first commissioning:
 - Clean external metal surfaces (see section 12).



5.2 Ammunition



WARNING!

Incorrect ammunition

May lead to death or severe injuries and damage to the gun

- Only fire commercially available ammunition in the original packaging and of the correct caliber from this gun.
- Never use recharged, "reconditioned", hand-charged or non-standard ammunition in your gun.
- Never use dirty, wet, corroded, bent, damaged or oiled ammunition.
- Never spray lubricants, preservatives or cleaning agents directly onto the rounds.
- Never leave the ammunition lying around unattended.

5.3 Loading the gun (ready to fire)



WARNING!

Insufficient awareness of the dangers

May lead to death or severe injuries

- Never load or unload the gun inside a vehicle, inside a building or any other confined space (except in a designated firing range).
- Before loading, always wipe off any excess grease and oil and check that there is no obstruction in the bore of the barrel.
- Always keep the muzzle of the gun pointed in a safe direction.
- Do not place the finger onto the trigger, but outside the trigger guard.
- Do not load the gun by inserting the magazine until immediately before shooting.
- Never rely on safety mechanisms. They are never a substitute for careful and correct handling of the gun.
- Never let a loaded gun out of your hands.



Procedure:

1. Lock the gun (see section 6.2).
2. Insert the bolt (see section 5.7.3).
3. Unlock the gun (see section 6.1).
4. Open the bolt and pull it back to the stop.
5. Fill the magazine (see section 5.8.3).

Note:

- If the full load capacity of the gun is to be used, chamber a round and close the bolt prior to inserting the magazine. Only now insert a full magazine.
6. Insert the magazine (see section 5.8.2).
 7. Push the bolt forward and lock.
 8. Lock the gun (see section 6.2).
- The gun is loaded and ready to fire.

5.4 Discharging a shot



WARNING!

Insufficient awareness of the dangers May lead to death or severe injuries

- Ensure that the target and the environment allow shots to be fired without danger.
- When discharging shots, ensure that your hands or any other parts of the body are located in front of, over or adjacent to the barrel muzzle or the ejection port.
- Never allow other persons to stand beside you where they might be struck by ejected cartridge cases.
- Always wear ear protection and safety glasses when shooting. Alert bystanders to the importance of wearing ear protection.
- Immediately stop shooting and unload the gun if you suspect that a round has not been chambered properly, a case is jammed, a bullet is lodged in the bore or a discharge sounded or felt weak or abnormal.
- Never attempt to dislodge a blockage in the barrel by firing another round.



Procedure:

1. Aim the gun at a safe target.
2. Unlock the gun (see section 6.1).
3. Place finger on trigger and pull back the trigger to discharge the shot.
4. Keep the gun aimed at the target and repeat and fire further shots as required.
5. If the magazine is empty, reload the gun (see section 5.5).
6. Lock and unload (see section 5.6).



WARNING!

**Gun is ready to fire
May lead to death or severe injuries**

- If you decide to end the shooting session, immediately unload the gun.

5.5 Reloading during shooting



WARNING!

**Insufficient awareness of the dangers
May lead to death or severe injuries**

- Never let the gun out of your hands.
- Keep the gun pointed at the safe target.

Procedure:

1. Lock the gun (see section 6.2).
 2. Remove the empty magazine (see section 5.8.1).
 3. Unlock the gun (see section 6.1).
 4. Open the bolt and pull it back to the stop.
 5. Fill the magazine (see section 5.8.3).
 6. Insert full magazine and check engagement (see section 5.8.2).
 7. Push the bolt forward and lock.
 8. Lock the gun (see section 6.2).
- The gun is loaded and ready to fire.



5.6 Unloading the gun



WARNING!

**Gun is ready to fire
May lead to death or severe injuries**

- Never let the gun out of your hands before it is unloaded.
- The gun is loaded, a round is located in the chamber of the barrel.
- Never place your hand over the ejection port of the bolt.

Procedure:

1. Lock the gun (see section 6.2).
2. Aim the gun at a stop-butt.
3. Remove the magazine (see section 5.8.1).
4. Unlock the gun (see section 6.1).
5. Open the bolt.
 - The cartridge or cartridge case is pulled out of the barrel chamber and ejected.
6. Check that the round has been ejected and there are no more rounds in the barrel chamber.
7. Empty magazine.
8. Pick up ejected round and clean the gun.



WARNING!

**Gun has not been cleaned sufficiently
May lead to death or severe injuries and
damage to the gun**

- The gun must be cleaned after every shooting session (see section 12.2).

The gun is unloaded.

5.7 Bolt

5.7.1 Cocking the bolt

Before the bolt **100** can be inserted into the gun, the firing pin must first be cocked.

A cocking indicator displays whether the bolt is cocked or not (red = cocked).

Procedure:

1. Insert the tapered end of the supplied key into the side opening of the lock **113**.
2. Turn the lock towards the cocking wheel until it engages.



Abb. 3, Cocking the bolt

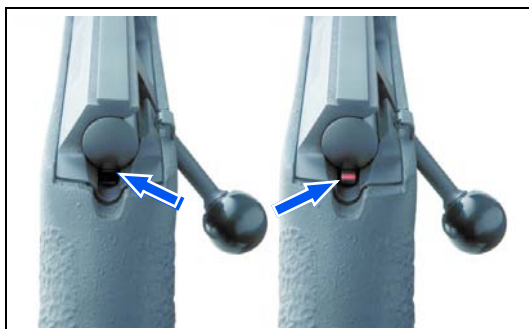


Abb. 4, Cocking indicator of the bolt (left: cocked, right: decocked)



5.7.2 Removing the bolt

Procedure:

1. Move the buttstock cheekpiece down as far as possible or remove it (see section 7.1).
2. Release the gun safety (see section 6.1).
3. Open the bolt and draw it back approx. half of its travel.
4. Activate the safety catch (see section 6.2).
5. Rotate the bolt to the left (approx. 90°), until the bolt channel becomes visible in the bolt handle guideway.
6. Extract the bolt to the rear.

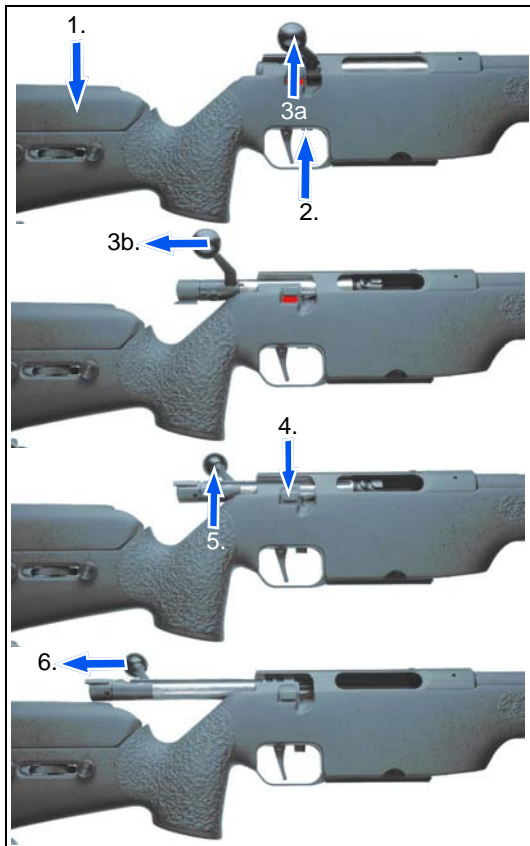


Abb. 5, Removing the bolt

5.7.3 Inserting the bolt



WARNING!

**Uncontrolled discharge of shot
May lead to death or severe injuries**

- The gun must be unloaded.

Procedure:

1. Move the cheekpiece down as far as possible or remove it (see section 7.1).
2. Lock the gun (see section 6.2).
3. Cock the bolt (see section 5.7.1).

CAUTION!

Gun may be damaged

- Never use force when inserting the bolt.

4. Insert the cocked bolt into the receiver by rotating it slightly. The removal position (bolt handle turned to the left by 90°, see Fig. 5/5.+6.) is the best position to install the bolt.

CAUTION!

**Danger of collision of cheekpiece with
cocking indicator (if the cheekpiece has not
been removed)**

- When sliding in the bolt, the cocking indicator must not face directly downwards.
5. Rotate the bolt until the bolt handle slides into the guideway of the receiver (see Fig. 5/3b.).
 6. Slide the bolt up to the front and lock it.
 7. Install or adjust the buttstock cheekpiece (see section 7.3).



5.7.4 Uncock the firing pin



WARNING!

**Uncontrolled discharge of shot
May lead to death or severe injuries**

- Only uncock the firing pin with the gun unloaded and the barrel chamber empty.

Procedure:

1. Unload the gun and make sure that there is no round or cartridge case in the barrel chamber or in the magazine (see section 5.6).
2. Pull the trigger and slowly close the bolt with the trigger still pulled.

Note:

- The cocking indication must not be visible (see Fig. 4).

5.8 Magazine

5.8.1 Removing the magazine

Procedure:

1. Hold magazine **600** by hand.

CAUTION!

**Magazine may fall out
Magazine may be damaged**

- When removing the magazine always keep your hand exactly underneath the magazine.
3. With the index finger of the same hand, depress pressure bolt **311**.
 4. Remove magazine.
 5. Empty magazine.

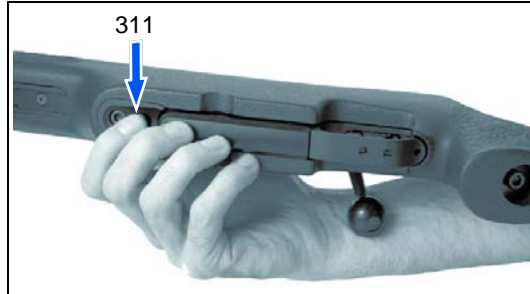


Abb. 6

5.8.2 Inserting the magazine

Procedure:

1. Insert the magazine into the magazine well and push it home until the magazine catch **307** audibly engages. Do not jam the magazine.

5.8.3 Loading the magazine

Procedure:

1. Depress magazine feeder **602**.
2. Insert the rounds forward and under the magazine lips.

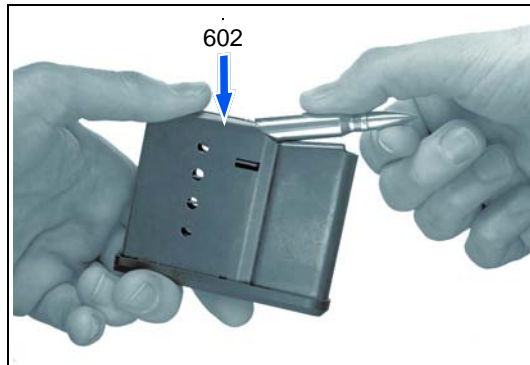


Abb. 7



5.9 Trigger

The SSG 3000 features a trigger with let-off point.

Note:

- The trigger pull weight has been set to approx. 15 N (1.500 g) at factory.

The match trigger is a let-off point trigger with adjustable take-up.

- The trigger must be pulled until it reaches a noticeable resistance (trigger let-off point).
- The shot is fired after the resistance has been overcome.

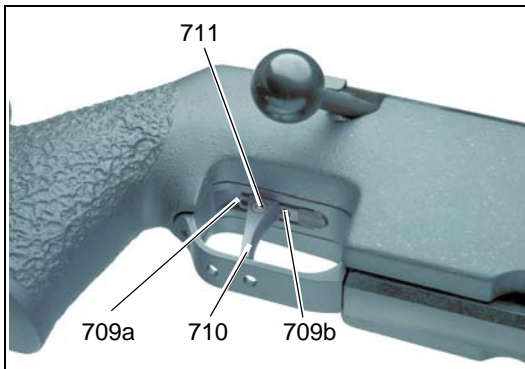


Abb. 8



WARNING!

Uncontrolled discharge of shot May lead to death or severe injuries

- For safety reasons the trigger pull weight must only be modified by a qualified gunsmith. He can adjust the trigger pull weight between approx. 13 N (1.300 g) and 17 N (1.700 g).
- Any screws sealed with red varnish must not be adjusted by the user. If these screws are manipulated, the warranty will be void.

CAUTION!

Gun may be damaged

- The screw for reducing the take-up must only be turned clockwise to a degree that the safety lock will still work properly.
- If the free movement of the safety lock is impeded, the screw **must** be **immediately** turned back **anti-clockwise** until the normal safety lock function is restored.

5.9.1 Setting the take-up

Reduce take-up:

- Turn set screw **709b** clockwise.

Increase take-up:

- Turn set screw **709b** anticlockwise.

Note:

- When setting the take-up, the trigger must be in a position that allows access to set screw **709b**.
- The take-up travel cannot be adjusted to "zero", there will always be a travel by design.



5.9.2 Setting the trigger position

Refer also to Fig. 8.

The trigger **710** can be displaced along the longitudinal axis by set screw **711**.

Procedure:

1. Slacken off set screw **711**.
2. Shift the trigger **710** to the desired position.
3. Tighten the screw **711**.

Caution:

- Ensure that in the foremost position, the trigger does not contact the unlock slide **708**.
- In the rearmost position, the trigger may not be located more to the rear, if the trigger begins to cover the adjusting screw **709a**. Otherwise this could hinder the correct function of the trigger action; in the worst case, firing a shot is not possible anymore.

5.9.3 Setting the let-off point

Earlier let-off:

- Turn set screw **709a** clockwise.

Later let-off:

- Turn set screw **709a** anticlockwise.

Note:

- To be able to adjust the let-off point, the trigger **710** must be in a position that allows access to set screw **709a**.

6 Safety lock

The SAUER SSG 3000 safety system is an indirect firing pin safety mechanism.

It locks the trigger, the trigger stop, and the firing pin shoe and thus blocks all safety-relevant components.

Its function is based on a principle proven a million times over: A single function – a single button.

- The unlock slide is located within the trigger guard ahead of the trigger where it is both well protected and tactile.
- The safety lock is located on the receiver side behind the bolt handle, where it is both visible and easy to operate.

6.1 Safety OFF

Procedure:

1. Slide the unlock slide **708** up to the stop with your trigger finger.
 - The safety slide **313** slides also upwards and exposes a visible red warning mark.

Note:

Gun unlocked:

- Safety lock up
- Red mark visible

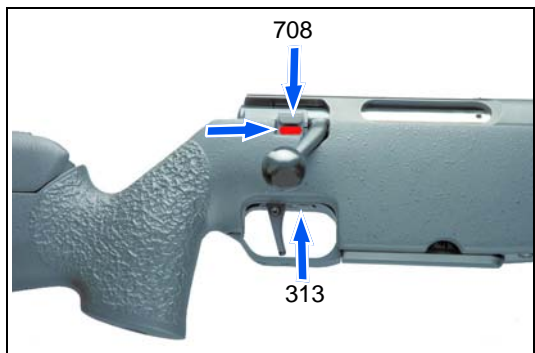


Abb. 9, Gun unlocked:



6.2 Lock

Procedure:

1. Press down the safety lock **313** up to the stop with your thumb.
 - This causes the unlock slide **708** to slide downwards out of the trigger unit where it is easily controlled by the trigger finger.

Note:

Gun locked:

- Red mark not visible
- The unlock catch can be felt with the trigger finger

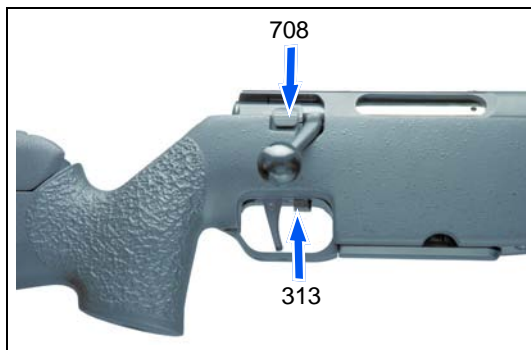


Abb. 10, Gun locked

7 Stock

The cheekpiece of the SSG 3000 stock is adjustable for height and offset and can be completely removed. The buttplate can be adjusted in length.

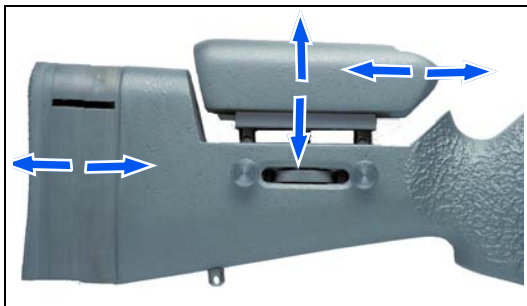


Abb. 11

7.1 Removing the cheekpiece

Procedure:

1. Unscrew the screws **531** very far or remove them.
2. Turn the knurled screw **527** to remove the cheekpiece.

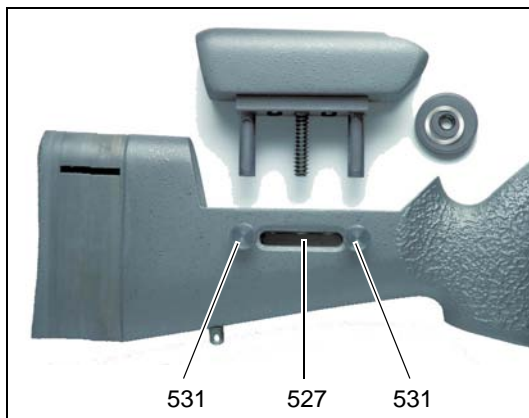


Abb. 12



7.2 Stock setting options

7.2.1 Adjusting cheekpiece offset

Procedure:

1. Release screws **Fig. 13/A** (approx. four turns).
2. Slide cheekpiece to the left or to the right or jam it as required.
3. Tighten the screws **Fig. 13/A** well.

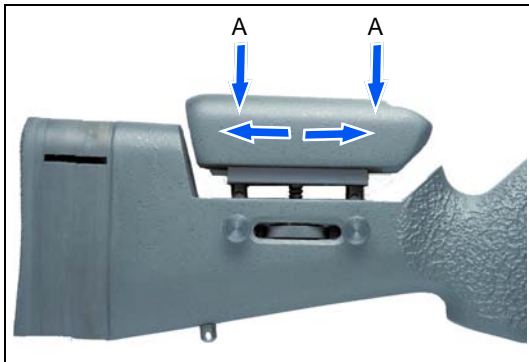


Abb. 13

7.2.2 Adjusting cheekpiece for height

1. Slacken off locking screws **531**.
2. Set the desired height level with adjustment nut **527**.
3. Tighten the locking screws **531** well.

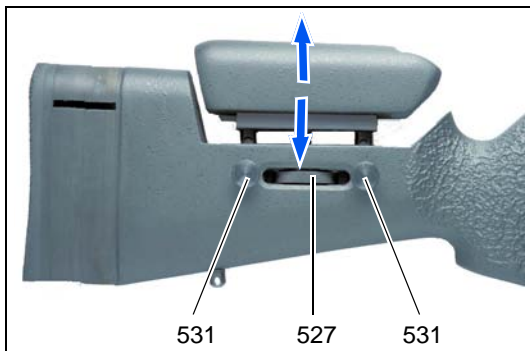


Abb. 14

7.2.3 Adjusting the buttplate length

1. Unscrew screws **515**.
2. Pull buttplate **516** back a little.
3. Press spacers **519** towards the left on the top and turn them downwards for removal.
4. Extract the spacers to the bottom.
5. Tighten screws **515**.

CAUTION!

Gun may be damaged

- Do not overtighten screws **515** as otherwise the escutcheons will be torn out of the stock.

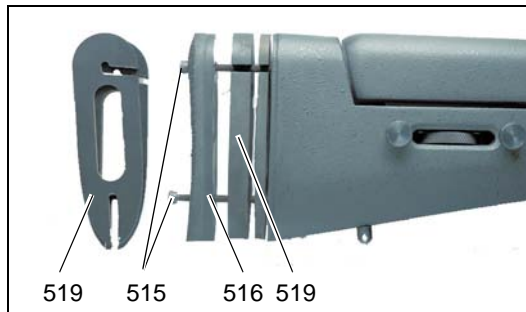


Abb. 15

7.3 Installing the cheekpiece

Procedure:

1. Position the cheekpiece on the stock.
2. Adjust the cheekpiece for height (see section 7.2.2) and offset (see section 7.2.1).
3. Tighten the locking screws **531** well.



8 Dismantling



WARNING!

**Gun is ready to fire
May lead to death or severe injuries**

- There must be no magazine in the gun.
- Before stripping your gun, ensure once again that it is unloaded (see section 5.6).

8.1 Removing the stock

Procedure:

1. Open the bolt and remove it (see section 5.7.2).
2. Slacken off and remove the rear **514** and front **512** stock retention screws.
3. Remove the filler piece **511** from the magazine stock.
4. Lift the system out of the stock.

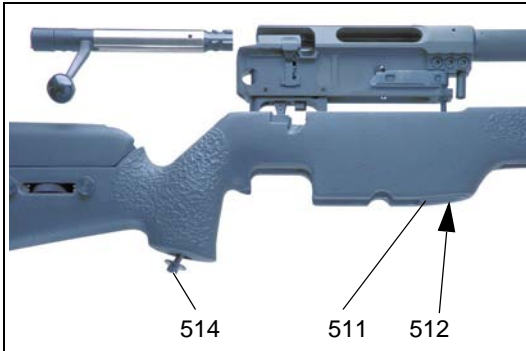


Abb. 16

8.2 Removing the carrying sling

Procedure:

1. Unscrew the knurled knob **Fig. 17/A** to the left.
2. Press in the knurled knob with the plunger and twist it by 90° to the left.
3. Remove the sling swivel.

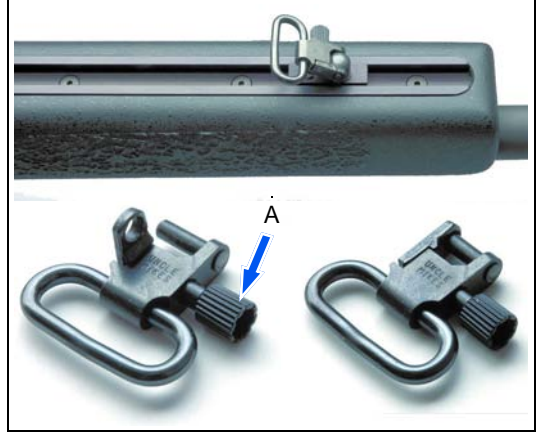


Abb. 17, Sling swivel bushing

Note:

- Clean and oil the sling swivels regularly.



8.3 Removing the barrel

Procedure:

1. Use the spanner supplied to slacken off the clamping screws **306**, **306a** in the sequence centre - rear - front.
2. Completely undo the front clamping screw **306a** only.
3. Pull out insert **308** from below.
4. Extract the barrel **400** from the receiver by lightly twisting it if required.

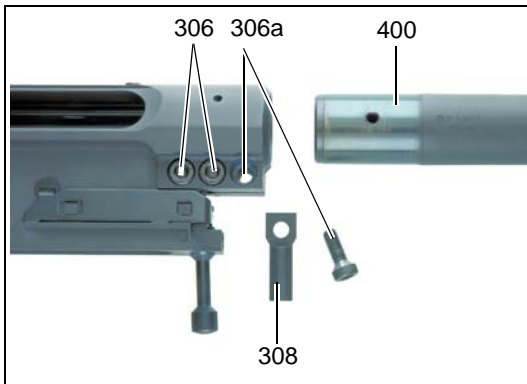


Abb. 18

9 Assembly

CAUTION!

Gun may be damaged

- Only assemble cleaned gun parts.

9.1 Fitting the barrel

CAUTION!

Gun may be damaged

- Do not use force when inserting the barrel into the magazine tube.
- Tighten the clamping screws until the spanner supplied begins to flex slightly.
- The spanner must not be extended by attaching a tube.
- If a torque spanner is used to tighten the screws, apply 7-8 Nm.

Corresponding figure, see Fig. 18.

Procedure:

1. Insert the barrel **400** from below up to the stop into the clamping device. Ensure that the barrel is aligned in such a way that the insert remains easy to move all the time.
2. Place insert **308** from below up to the stop into the receiver.
3. Turn the barrel until the insert engages in the barrel groove.
4. Install clamping screw **306a**.
5. Lightly tighten clamping screws **306**, **306a**.
6. Install and close the bolt (see section 5.7.3).
7. Check the bolt action with the gun unloaded.
8. Alternatively tighten the clamping screws **306** and **306A** a little more so that the barrel is fixed without tension (alternative: tightening with a torque spanner: torque 7-8 Nm).



9.2 Installing the stock

CAUTION!

Gun may be damaged

- The spanner must not be extended by attaching a tube.
- If a torque spanner is used to tighten the stock retention screws, apply 5 Nm.

Corresponding figure, see Fig. 16

Procedure:

1. Lightly turn the rear stock retention screw **514** by hand.
2. Lightly turn the rear stock retention screw **512** by hand.
3. Tighten rear stock retention screw **514**.
4. Tighten front stock retention screw **512**.

Note:

- Correct torque for the stock retention screws is achieved by grasping the end of the spanner and applying enough twist to raise the gun into the vertical position.

9.3 Fitting the carrying sling

Corresponding figure, see Fig. 17.

Procedure:

1. Insert the open sling swivel.
2. Press the knurled knob with the plunger and turn it to the right until the hinged plate snaps onto the stud.
3. Remove the knurled knob from the plunger by turning it to the right.
4. Insert the stud of the front sling swivel also into the front sling swivel bushing **48**.

Note:

- Securely tighten the knurled knob on the plunger prior to turning.
- The sling swivel must be aligned exactly 90° to the orientation of the barrel.



10 Training system cal. 22 Ir. (optional)

10.1 Caliber conversion cal. 22 Ir.

Procedure:

1. Remove barrel (see section 8.3)

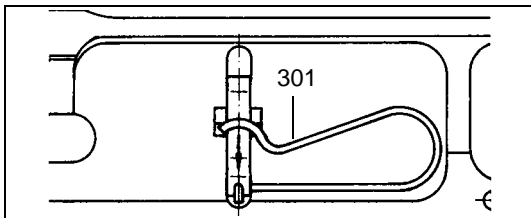


Abb. 19

2. Remove magazine ejector. Unhook the magazine ejector spring 301 downwards from its upper retainer and allow it to relax.

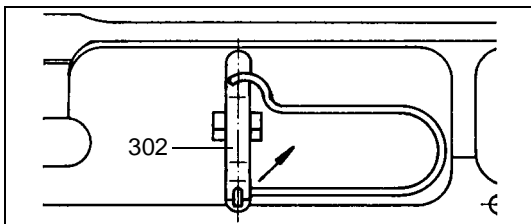


Abb. 20

3. Now unhook the lower claw from the magazine ejector 302 and remove it.

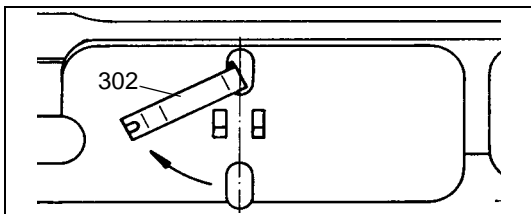


Abb. 21

4. Lift the bottom end of the magazine ejector, swing it to the left and remove it from the upper aperture.

5. With the slot facing downwards, insert barrel 450 into the receiver. Align slot with the slot in the receiver.
6. Place insert 308 into the receiver from below.
7. Lightly tighten clamping screw 306a and remove the magazine (see section 5.8.1).
8. Insert the magazine adapter into the magazine well until it contacts the barrel.
9. Retain magazine adapter with screw 656.

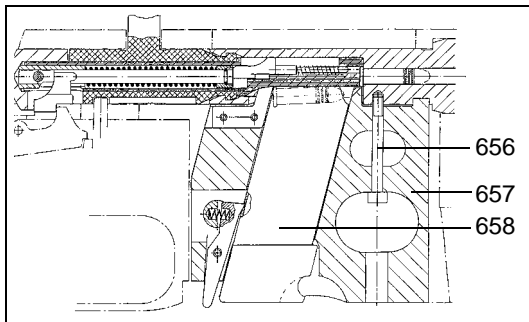


Abb. 22

10. Check correct barrel location by lightly rotating the barrel in both directions.

Note:

- On both sides there should be about the same gap between the magazine adapter and the magazine well.
11. Check that the screw 656 is well seated. If necessary, tighten it.
 12. Tighten the clamping screws 306/306a and install the stock (see section 9.2).
 13. Cock the bolt (see section 5.7.1), insert (see section 5.7.3) and then lock it.
 14. Cycle the bolt to check that its action is smooth.
 15. Insert the magazine 658 until it snaps in.
 16. Sight in the gun (zeroing).



11 Accessories

11.1 Scopes

11.1.1 Installing the scope

1. Slacken off the Allen screws **204** on the scope rail **200** until the scope can be slid on.
2. Hold the scope at an angle and parallel to the rifle.
3. Snap the scope rail **200** from the left side onto the receiver dovetail.
4. Slide the scope to the front until the scope rail stop firmly abuts against the receiver housing.
5. Tighten the Allen screws **204**.
6. Check that the scope rail stop abuts firmly against the receiver and that the scope is securely mounted on the gun.
7. Attach the mirage band (see section 11.4).

11.1.2 Removing the scope

1. Remove the mirage band (see section 11.3).
2. Slacken off the two Allen screws **204** on the scope rail **200**.
3. Lift off the scope to the left side.

11.2 Adjusting eye relief length

1. Slacken off the Allen screws **205** until the scope can be slid along its own axis.
2. Select the desired eye relief length of the scope.
3. Tighten the Allen screws **204**.

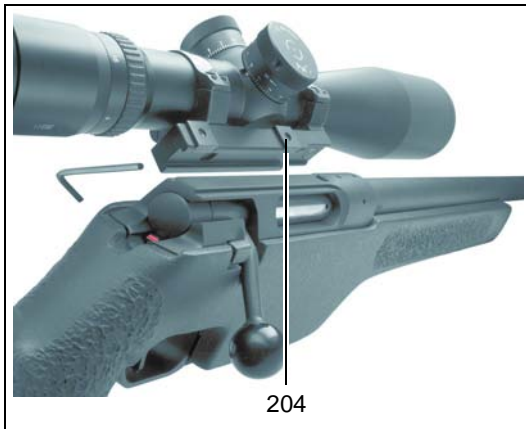


Abb. 23



11.3 Removing the mirage band

CAUTION!

The mirage band is only loosely connected with the gun

May lead to injuries and damage to the gun

- Keep the gun pointed in a safe direction in order to prevent the mirage band from injuring persons or damaging property if it slips unintentionally.

Procedure:

1. Remove the hook of the mirage band from the forward scope rail mount and relax the mirage band (see Fig. 24 top).
2. Unhook the twin claws of the mirage band hook from the holes of the upper central slots of the flash suppressor (see Fig. 24 below).



Abb. 24

11.4 Installing the mirage band

CAUTION!

The mirage band is only loosely connected with the gun

May lead to injuries and damage to the gun

- Keep the gun pointed in a safe direction in order to prevent the mirage band from injuring persons or damaging property if it slips unintentionally.

Corresponding figure, see Fig. 24.

Procedure:

1. Insert the twin claws of the mirage band hook into the hole of the upper central slots of the flash suppressor.
2. Stretch the mirage band to the rear and slip hook onto the forward scope mount.



12 Care

12.1 General remarks

Proper functioning and precision of the gun can only be maintained through regular and expert care. The gun must be cleaned and protected against corrosion after each use. The bore must be cleaned and protected against corrosion after each firing. Wooden stocks must be treated with a suitable agent in accordance with the corresponding instructions and must be protected against the weather.

For the optimum care for your SSG 3000 we recommend SAUER care products, e.g. the SAUER Premium gun grease.

12.2 Cleaning the barrel

CAUTION!

Gun may be damaged

- Never clean the bore from the muzzle end and never use steel or brass wire brushes as these can destroy the polished surface of the bore. Use only suitable cleaning rods and a brush of the correct caliber.
- Detergents can damage the surface of the gun. Carefully read the manufacturers notes and warnings before applying solvents or cleansers.



WARNING!

Gun is ready to fire

May lead to death or severe injuries

- There must be no magazine in the gun.
- Before stripping your gun for cleaning, ensure once again that it is unloaded (see section 5.6).

Procedure:

1. Unload the gun (see section 5.6).
2. Remove the bolt (see section 5.7.2).
3. Clean the bore and barrel chamber from the rear using suitable fluids or grease (observe the respective instructions for use) and a suitable bronze or plastic cleaning brush of the correct calibre.
4. Check for traces of metal fouling (leading) in the bore. If necessary remove leading with a commercially available bore cleaning solvent (read the respective instructions for use).
5. Lightly lubricate the the barrel bore and chamber with a little gun oil or gun grease.
6. Dry the bore and chamber from the rear using a plastic coated cleaning rod of the correct calibre.



12.3 External metal surfaces

For the care and preservation of the external metal and wood surfaces we recommend SAUER Premium gun grease. Minute spherical Teflon® particles seal the pores of all wood and metal surfaces and provide perfect protection and optimal sliding characteristics.

Benefits:

- dry surfaces - dust etc. does not adhere;
- water and salt water proof;
- absolute corrosion protection;
- perfect sliding characteristics, reduced wear;
- resistant to sweaty palms;
- pressure resistant up to 57.000 kg/cm²;
- temperature resistant from -50 to +230 °C;
- perfect protection and care for steel **and** wood;
- neutral smell

CAUTION!

Gun may be damaged

- Caring for the external metal surfaces is particularly important in wet weather or if the metal surfaces have come into contact with sweaty body parts.
- Always wipe dry the gun prior to preservation.

Procedure:

1. Thoroughly clean the gun using suitable cloths and cleaning agents.
2. Thinly apply the grease with a cloth or sponge over the whole gun (including the stock) including all mechanical and moveable parts.
3. After a reaction time of at least 60 minutes wipe dry and polish the gun with a clean cloth.
4. Dependent on the weather and frequency of use the protective effect will last between two to six months.

Note:

- The sling swivel must also be cleaned and oiled at regular intervals.

13 Extras

13.1 Installation of optional accessories on the mounting rail

Procedure:

1. Insert accessory into the rear hollow of the mounting rail and slide it to the front.
2. Position and fix accessories.



14 Dealing with problems

14.1 Cause and correction of malfunctions

Gun maintenance (cleaning and inspection) according to the instructions can prevent malfunctions.

Should, nevertheless, a malfunction occur during shooting, proceed as follows:



WARNING!

Uncontrolled discharge of shot May lead to death or severe injuries

- Hold the gun pointed in the firing direction (safe direction) and keep your fingers off the trigger while you carry out the steps described below.
1. Remove magazine and unload the gun (see section 5.8.1).
 2. Open the bolt.
 - The round or cartridge case is pulled out of the barrel chamber and ejected.
 3. Check that no bullet, round, cartridge case or foreign matter is in the barrel chamber or barrel. If a projectile is lodged in the bore, strip the gun (see section 8) and have the blockage removed with a suitable tool by a qualified gunsmith.
 4. Remove round, cartridge case or foreign bodies. Clean, lubricate and assemble the gun (see sections 12 and 9).
 5. Have the gun inspected by an armourer or gunsmith.



Fault	Potential cause	Remedy
No round chambered.	Magazine not properly inserted, deformed or dirty.	Insert magazine all the way until it engages (see section 5.8.2).
	Gun faulty.	Repair by manufacturer.
Bolt cannot be inserted into the magazine tube.	Mainspring is decocked.	Cock the bolt (see section 5.7.1).
	Gun faulty.	Repair by manufacturer.
Gun cannot be locked.	Gun is decocked.	Cock the gun (see section 5.7.1).
	Gun faulty.	Repair by manufacturer.



14.2 Shipping the gun

Note:

- Familiarise yourself fully with regional legislation governing the shipping and transportation of firearms.
1. Check the gun to ensure that it is unloaded and decocked.
 2. Pack the gun well (if possible in its original packaging) to prevent damage in transit. To prevent the gun being recognised as such during shipping, wrap the original packaging in a second outer layer. Do not include any accessories in the shipment.
 3. Enclose a letter stating the following:
 - your full name
 - your full address (state street, not P.O. Box)
 - your daytime telephone number
 - model and serial numbers of the gun
 - detailed description of the problem encountered or the service work to be performed.
 4. Send the gun properly insured and carriage-paid (packages without correct postage will not be accepted) to:
 - the sales outlet from which you purchased the gun,
 - the local Sauer & Sohn dealer,
 - the Sauer & Sohn agent (importer) for your country
 - if there is no local appointed Sauer & Sohn dealer or Sauer & Sohn agent in your country, to J.P. Sauer & Sohn GmbH.

15 Installation of optics and accessories

Note:

CAUTION!
<p>Improper installation of scopes Gun may be damaged</p> <ul style="list-style-type: none"> • For rifles assembled otherwise than is described here, the J.P. P. Sauer & Sohn GmbH takes no guarantee for function and shooting performance.

J. P. & Sohn GmbH recommends the original SAUER slide mounting



16 Technical specifications

Functional principle	Repeater rifle
Bolt type	Direct lug locking in the barrel
Calibre	7.62 mm x 51 NATO (.308 Win.)
Length, overall	1.180 mm
Height, excl. scope	190 mm
Rifling twist	1:12" / 305 mm
Width	95 mm
Barrel length, excl. flash suppressor	600 mm
No. of grooves	4
Weight incl. magazine, excl. scope	5.1 kg
Trigger pull weights	Double stage: N approx. 13 - 17 (variable)
Magazine content	5 rounds
Muzzle velocity*	800 - 830 m/s
Muzzle velocity*	3.500 - 3.750 joules

*Depends on brand of ammunition
 Subject to change without notice



17 Accessories

Your SAUER SSG 3000 is a modular precision rifle, which can be easily adapted to new uses at a later date.

Accessories make it possible to adapt the gun to individual needs:

- Mounting rails (Picatinny)
- Shooting sling
- Spacers for a longer butt stock
- Scopes
- Night vision devices
- Mirage band
- Bipod
- Carrying case
- Transport bags
- Spare magazines
- Cleaning equipment
- Training system .22 long rifle

The complete and current option selection and individual possibilities can be found in the price list, the catalogue or most conveniently on the homepage of J. P. Sauer & Sohn GmbH (www.sig-sauer.de).

18 Spare parts

J. P. Sauer & Sohn GmbH only supplies to authorised dealers in Germany or to the respective SAUER importer abroad. For ordering spare parts please always contact your dealer who will then forward your order accordingly to the importer (abroad) or Sauer & Sohn (Germany). To enable the speedy and focused processing of your order please always provide the following information when ordering spare parts:

- Model, calibre, barrel length, extras
- Gun number
- Item number from the spare parts list
- Designation of the desired spare part



18.1 SSG 3000 spare parts

Pos. Designation

100 Bolt, complete

- 101 Cyl. pin for firing pin
- 102 Striking pin nut
- 103 Brazed nipple
- 104 Firing pin spring
- 105 Firing pin
- 106 Ejector pin
- 107 Ejector spring
- 108 Clamping sleeve
- 109 Bolt
- 110 Pin for extractor spring
- 111 Extractor
- 112 Cocking handle knob
- 113 Lock

200 Scope rail, complete

- 201 Rail
- 202 Mount
- 203 Counterpiece
- 204 Clamping screw
- 205 Allen screw

300 Receiver, complete

- 301 Magazine ejector spring
- 302 Magazine ejector
- 303 Receiver housing
- 304 Set screw
- 306 Clamping screw
- 307 Magazine catch
- 308 Insert
- 309 Guide pin
- 310 Compression spring
- 311 Pressure bolt
- 312 Roll pin
- 313 Safety lock

400 Barrel assy., 7.62x51 NATO complete

- 401 Barrel, 7.62x51NATO
- 402 Flash suppressor
- 403 Retention screw

Pos. Designation

500 Stock, complete

- 501 Stock
- 502 Sling rail
- 503 Pan head screw
- 504 Countersunk screw
- 506 Sling attachment bushing
- 507 Rampa socket
- 508 Sling swivel nipple
- 509 Sling swivel bush
- 510 Sling swivel
- 511 Baseplate
- 512 Pan head screw
- 513 Washer
- 514 Pan head screw
- 515 Buttplate screw
- 516 Rubber buttplate
- 517 Pan head screw
- 518 Buttplate guide
- 519 Spacer
- 520 Cheekpiece rod, alu.
- 521 Tapered insert
- 523 Cheekpiece
- 524 Cheekpiece base
- 525 Washer
- 526 Pan head screw
- 527 Adjustment nut
- 528 Adjustment yoke
- 529 Baseplate
- 531 Pan head screw
- 532 Pan head screw M5x45

600 Magazine assembly

- 601 Magazine case
- 602 Magazine feeder
- 603 Magazine spring
- 604 Magazine floor plate



Pos. Designation

700 Trigger unit

- 701 Bolt stop
- 702 Bolt catch
- 703 Trigger sear
- 704 Trigger sear compression spring
- 705 Rocker lever
- 706 Trigger lever
- 707 Trigger shoe
- 708 Unlock slide
- 709 Set screw
- 710 Trigger
- 711 Pan head screw
- 712 Trigger spring
- 713 Collar stud
- 714 Straight pin
- 715 Trigger housing
- 716 Spring bolt
- 717 Trigger spring set screw
- 718 Rocker lever
- 719 Spring pin
- 720 Magazine catch spring
- 721 Spring counter bearing

Pos. Designation

800 Accessories

- 801 Mirage band
- 804 Allen key 2 AF
- 805 Allen key 2.5 AF
- 807 Allen key 4 AF
- 808 Allen key 5 AF
- 809 Awl
- 810 Sling (optional)
- 813 Training system .22 long rifle (optional)
- 815 Carrying case

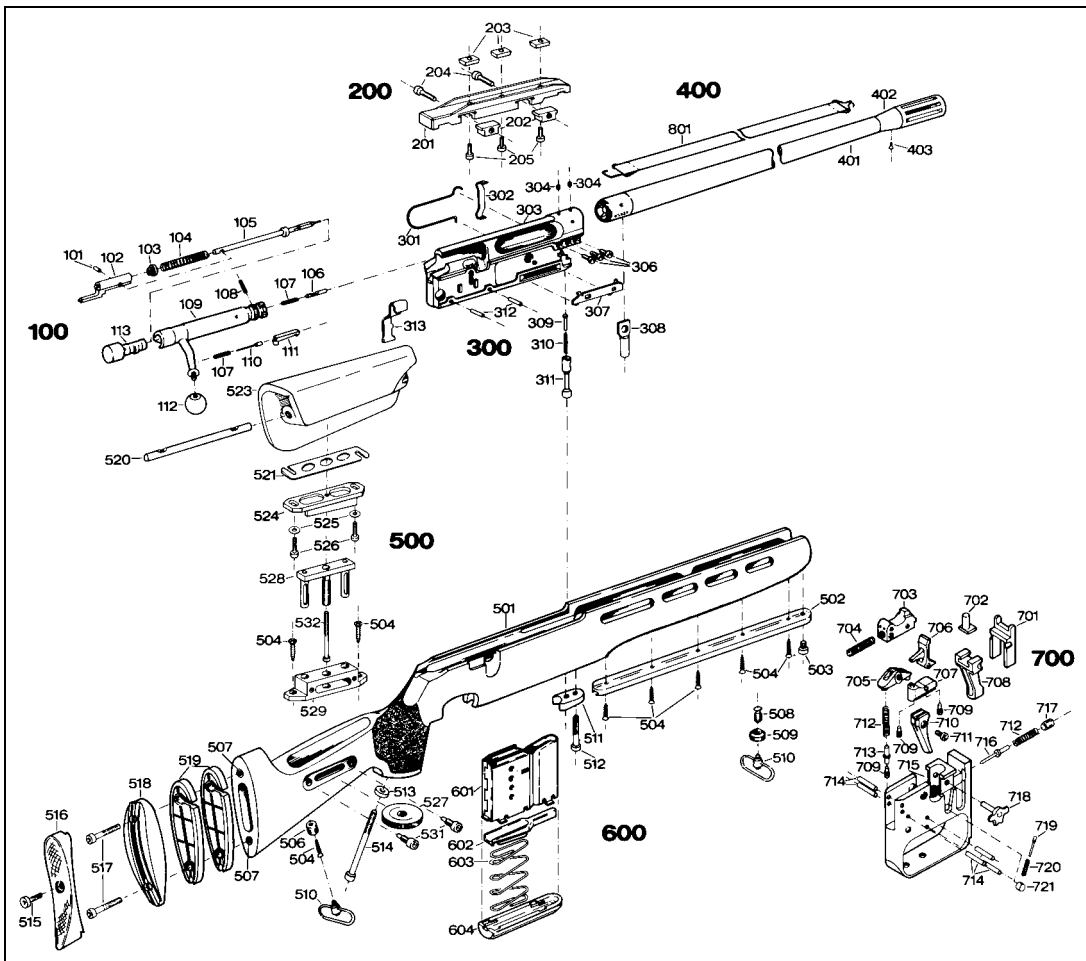


Abb. 25, Spare parts for SSG 3000



18.2 Spare parts for training system .22 Ir. (optional)

Pos. Designation

150 Bolt assy. .22 Ir.

- 151 Lock
- 152 Clamping sleeve
- 153 Spring counter bearing
- 154 Bolt head
- 155 Firing pin sub-assy. (Pos. 156 - 159)
- 156 Firing pin
- 157 Firing pin spring
- 158 Bushing
- 159 Circlip
- 160 Firing pin tip
- 161 Pressure spring
- 162 Bolt cylinder
- 163 Pressure spring
- 164 Extractor seat
- 165 Retention claw
- 166 Extractor

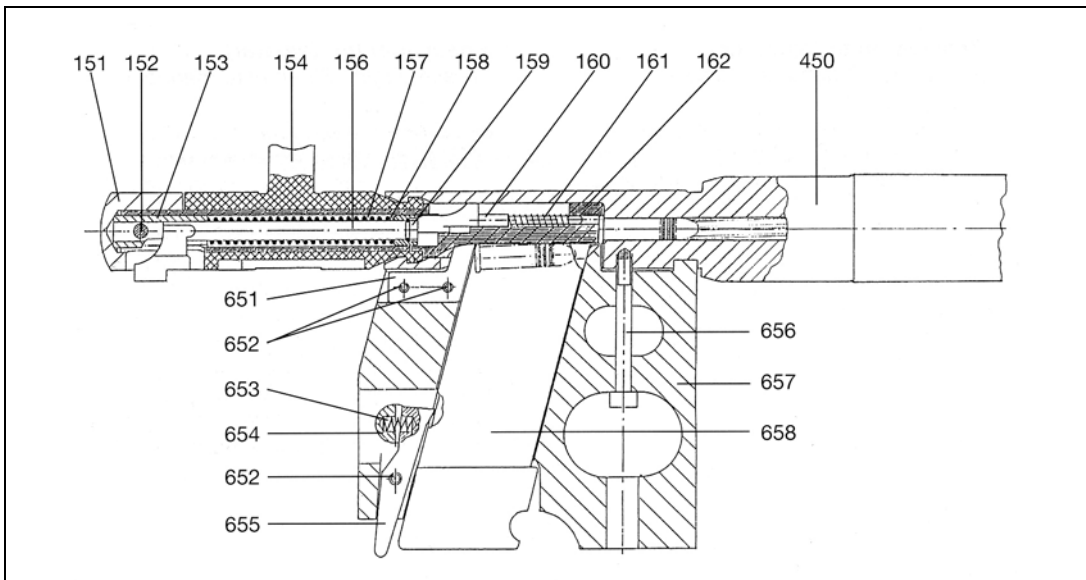


Abb. 26, Spare parts for training system .22 Ir.

J. P. Sauer & Sohn



gegründet 1751

J. P. Sauer & Sohn GmbH

gegr. 1751

Sauerstr. 2-6

D-24340 Eckernförde

Germany

Phone +49 4351 471 100

Fax +49 4351 471 160

www.sigsauer.de