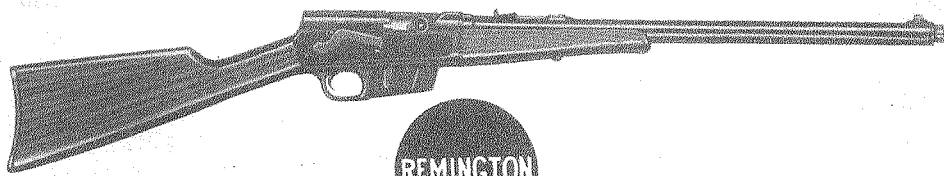


INSTRUCTIONS FOR THE OPERATION AND CARE

OF THE

Remington

MODEL 8 HIGH-POWER AUTOLOADING RIFLE



TAKE DOWN

SOLID BREECH

HAMMERLESS

SPECIFICATIONS

Made for use with Remington Rimless Cartridges of .25, .30, .32 and .35 Calibers only

BARREL. 22-INCH "ORDNANCE STEEL"

WEIGHT: About $7\frac{3}{4}$ pounds.

LENGTH, OVERALL: $41\frac{1}{2}$ inches.

LENGTH, TAKEN DOWN: 23 inches.

TRIGGER PULL: Exceptionally light.

SIGHTS REGULARLY FURNISHED: Rear, buck-horn adjustable step; Front, white metal steel bead.

CAPACITY: Six (6) shots in .25, .30 and .32 caliber models; Five (5) shots in .35 caliber model.

STRAIGHT GRIP STOCK of American Walnut, fitted with rifle style steel butt plate.

REMINGTON ARMS COMPANY, INC.

ILION, NEW YORK, U.S.A.

Remington

DU PONT

EXPLANATION OF OPERATION

Assume that the rifle has been fired (see sectional view of "Action Closed"); the force of recoil moves the barrel and breech mechanism rearward to the back end of the receiver where the breech mechanism remains while the barrel returns to the forward position (see "Action Open"). During the forward movement of the barrel, the empty shell is extracted and ejected. The final closing of the barrel releases the breech mechanism to feed next cartridge from magazine into chamber and lock breech bolt to the barrel.

This movement occurs with great rapidity, and the rifle is again loaded, cocked and ready to fire upon releasing and pulling the trigger.

MODEL 8 AUTOLOADING RIFLE

To Put Rifle Together:

The rifle is shipped from the factory taken-down, as in Figure 1. To assemble it for use, loosen the fore end screw until fore end may be removed from the barrel. Insert barrel into receiver; turn in the take-down screw by means of the lever, and tighten it *securely*.

IMPORTANT: If lugs on bolt do not enter slot in barrel extension, move *Safety* off; draw back operating handle about one inch and hold it there; then with a cartridge, screw driver or other implement, push bolt forward until lugs on bolt are in position to enter slot in barrel extension (Figure 2). Generally the bolt may be pushed forward with the finger and no implement is required. *Note* that only when the bolt is in the forward position can the locking lugs on bolt enter the slot in barrel extension.

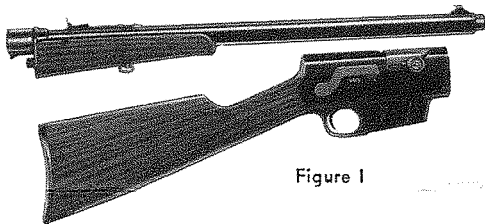


Figure 1

To Load Barrel:

With the *Safety* turned off (as in front view), open the action by drawing back the operating handle as far as possible where it will lock open. This will expose barrel chamber into which a cartridge may be inserted, if single loading is desired, as in Figure 3. Grasp operating handle firmly and pull slightly rearward, pressing down the magazine indicator as in Figure 4; release operating handle and allow action spring to close breech. The rifle is now loaded and cocked ready to fire as a single loader.

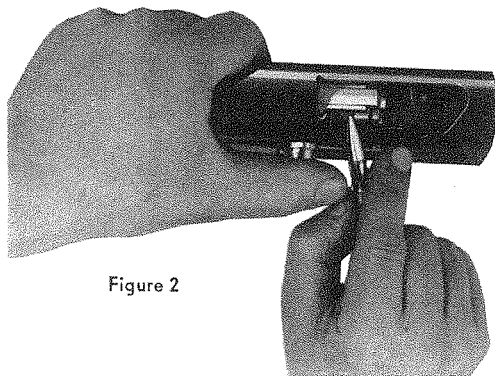


Figure 2

To Load Magazine:

Open action; lay cartridge upon magazine (Figure 3), and press down until retained by spring. Four more cartridges may be inserted, making five in the magazine. Another cartridge may be put directly into barrel (making six shots available); then press down top cartridge in magazine

until breech bolt can pass over it, and close the action. (This is possible only in rifles of .25, .30 and .32 calibers; in the .35 caliber rifle but four cartridges may be placed in the magazine due to the larger diameter of the .35 caliber cartridge. The capacity of the .35 caliber rifle is therefore but five shots.

To Set Safety:

Move Safety (located on the right side of rifle) upward as far as possible. The word "Safe" will be exposed and the slot in the side of the receiver closed (Figure 1). The trigger cannot now be pulled or the action opened. This prevents the possibility of jarring action open if rifle is struck upon butt plate.

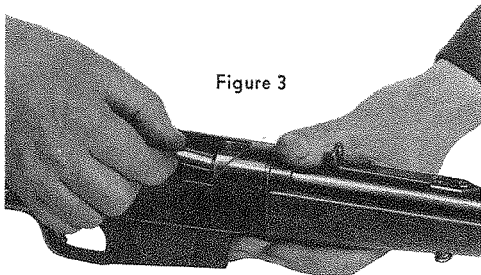


Figure 3

To Load Magazine with Clip:

Open action and place clip of five cartridges in position as in Figure 5, being careful to engage lugs on side of clip into notches in top of receiver; then press column of cartridges downward into magazine until last cartridge is retained by spring. Remove empty clip and release breech bolt by pressing magazine indicator (Fig. 4).

To Fire:

Move Safety downward to cover the word "Safe" and pull trigger for first shot, after which the force of recoil will extract and eject empty shell and barrel will be reloaded. *It is important* that trigger be released for each shot. After last shot is fired, the action will remain open.

To Unload Barrel; But Leave Magazine Loaded:

Open action just far enough to allow cartridge in barrel to eject, and hold down top cartridge in magazine so breech bolt may close over it.

To Unload Magazine Without Feeding Into Barrel:

Open action while pressing upward the magazine indicator to lock breech bolt open. Push forward, with finger or some implement, the top cartridge in magazine until it is released from side walls; then lift out. Repeat until last cartridge is removed.

To Take Down:

If action is open, close it by pressing magazine indicator (Figure 4). Loosen the fore end screw and remove fore end. Loosen takedown screw by its lever (Figure 6), and unscrew until free from the receiver *but not out of Jacket head*. Pull barrel and jacket from receiver. Replace fore end on jacket. Rifle is now ready for packing.

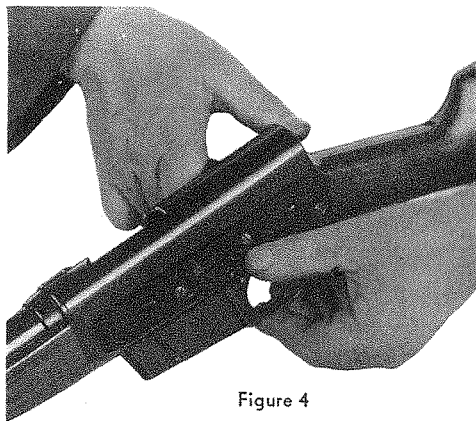


Figure 4

To Close Action After Takedown:

If action was left open during takedown, grasp operating handle (Figure 7), and press down the barrel lock as indicated at point of pencil and release breech bolt to move forward a very little or until it is held by magazine indicator. Then let breech bolt forward slowly while pressing down the magazine indicator (Figure 4).



Figure 5

To Uncock Hammer:

If desired to relieve pressure on main spring after takedown, no harm will be done by pulling trigger.

If desired to uncock hammer before takedown (*barrel must be unloaded*), then close action and pull trigger. The hammer should never be released to follow closing breech bolt when barrel is loaded because the firing pin would then rest upon primer of cartridge and a slight jar *might* cause it to explode.

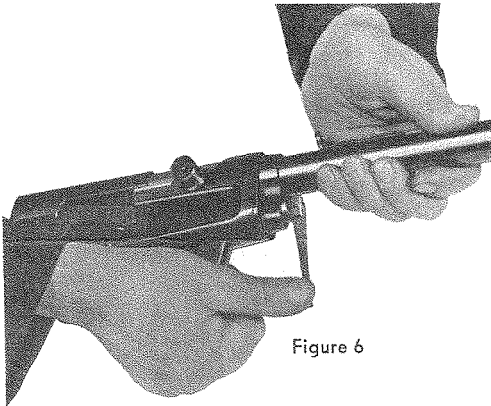


Figure 6

NOTE

Any information desired in the future as to the operation, repair or refinishing of this gun may be obtained by addressing the factory at Ilion, New York.

Remington Arms Co., Inc.

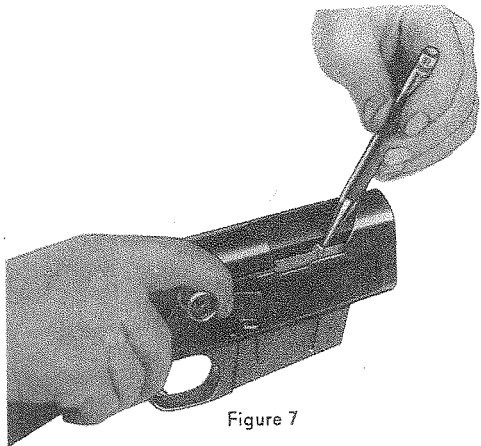
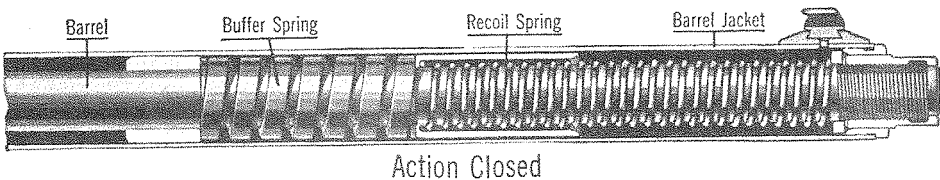
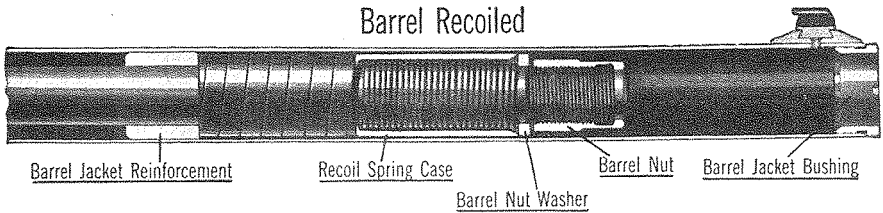
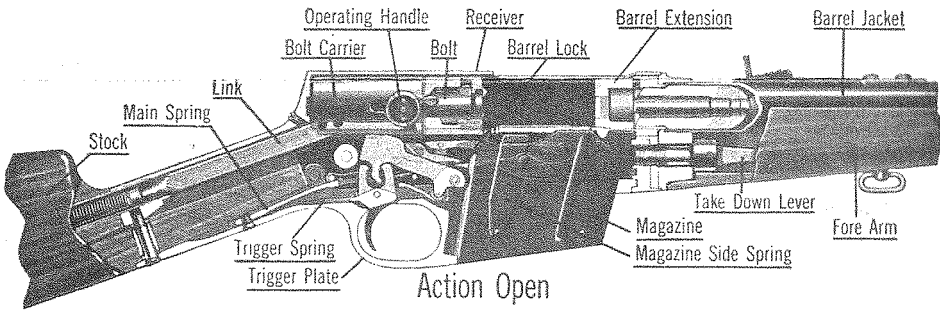


Figure 7

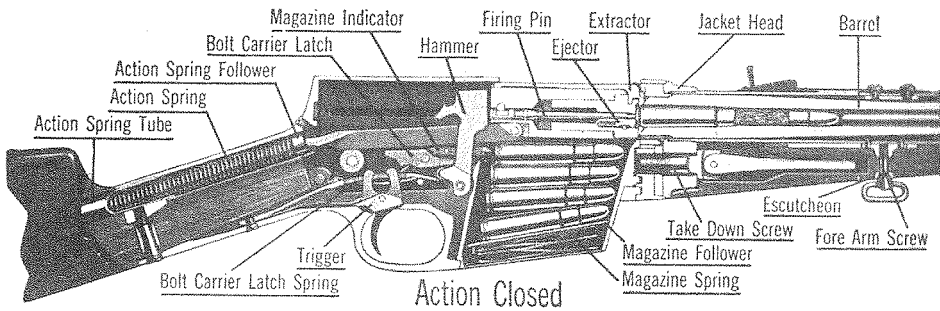
Barrel Recoiled



Action Closed



Action Open



Action Closed

DIRECTIONS FOR DISMOUNTING AND ASSEMBLING

Breech Bolt and Its Components:

Take down the rifle; open the action, raise small plunger in center of operating handle until the handle may be moved forward from slot in bolt carrier. Press barrel lock (Figure 7), then hold receiver over some soft object, such as a blanket, and release magazine indicator (Figure 4) when breech bolt will spring out of receiver. Do not allow it to strike any hard object which might bend prongs on front end. Drive out link pin and remove link. Drive out firing-pin pin from right to left and remove firing pin from rear. Drive out two short cam pins from diagonal hole at forward end of breech bolt carrier and pull breech bolt from front end with extractor engaged at lug which may then be lifted off bolt. Drive out bolt lock pin from bottom to top and remove bolt lock and spring. *If necessary*, the ejector may be removed by driving out small pin at bolt lug to release ejector and spring. Unscrew bushing in operating handle to release spring and plunger.

Trigger Plate and its Components:

Remove tang screw from lower tang. Remove trigger plate screw from left side of receiver; drive out trigger plate pin; pull stock from receiver, swing trigger plate downward at rear end and pull from receiver. Push magazine box upward through top of trigger plate and magazine side spring will be released from side of magazine. If hammer is cocked, pull trigger while releasing hammer slowly. Drive out hammer bushing from side of trigger plate and remove hammer. Take out main spring screw from bottom of trigger plate tang and remove main spring and trigger spring from rear slot. Drive out trigger pin from side of trigger plate, and remove trigger.

Receiver Components:

Place card or heavy paper under *Safety* to protect receiver, and swing *Safety* straight downward until safety stem can be driven through left side of receiver and the safety removed from the right side. The safety rocker may then be removed from bottom. Drive out action spring plug pin from rear end of tube in tang of receiver.

CAUTION—Hold wood plug firmly while driving out crosspin and release plug and action spring slowly with follower attached to front end.

Barrel Jacket Components:

Hold barrel extension over a screw driver blade or stick of wood to prevent barrel from turning while unscrewing barrel nut from muzzle; then pull out barrel from rear of jacket. Hold barrel jacket from turning by grasping jacket head in a vise or clamp; unscrew barrel jacket bushing from muzzle and release barrel nut washer, recoil spring and case. The buffer spring will fall out when jacket is inverted.

If necessary, the front sight may be removed. Loosen set screw in base of sight, then drive sight from left to right.

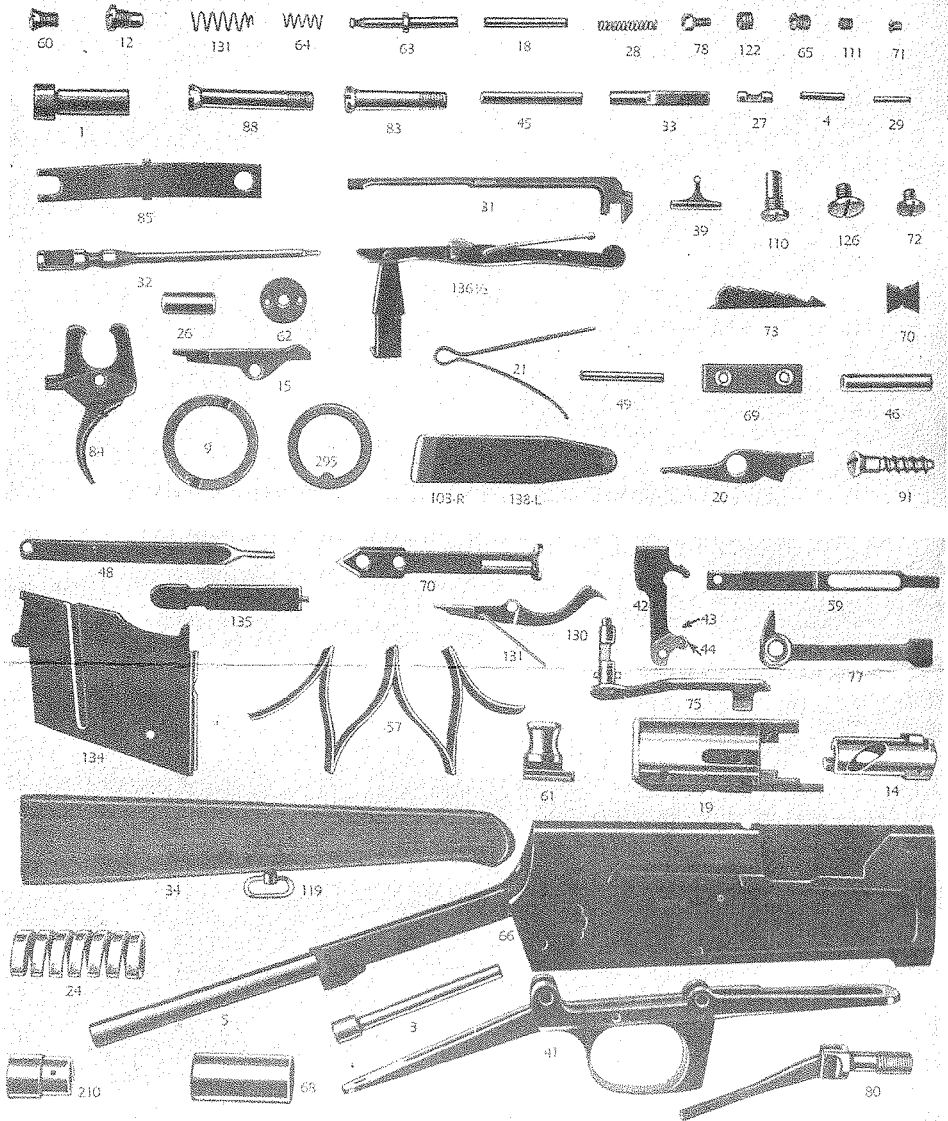
If necessary, the rear sight may be removed by taking out two base screws to release sight from jacket, and rear sight stud from inside of jacket.

Magazine Components:

Press down slightly the magazine follower and tilt it a little from right to left when it may be lifted from top of magazine; the spring will follow.

ASSEMBLE ALL PARTS IN REVERSE ORDER

COMPONENT PARTS (See List)



CARE OF THE RIFLE

A firearm should be cleaned as quickly as possible after shooting. Delay causes fouling, rusting and pitting.

TO CLEAN: Scrub interior of barrel thoroughly with a wire or bristle brush saturated with Remington Powder Solvent. Wipe with clean rags, repeating the scrubbing and wiping until rags come through clean.

If brush is not available, use Remington Powder Solvent on rag. A brush reaches the corners of the rifling and is better than rags. When perfectly clean, oil thoroughly with Rem Oil. Repeat same cleaning operations next day and oil with Rem Oil; or, if the gun is to be put away for any length of time, cover with Remington Gun Grease.

If Remington Powder Solvent is available to remove the fouling, pour one quart of boiling water through the barrel. Run rags through until the barrel is thoroughly dry. Cover the inside of the barrel with Remington Gun Grease. Remove grease before again using rifle.

All metal parts should be cleaned and lubricated with thin oil. Rem Oil, which has been developed after long and careful experimental work at our arms factory, is recommended for this purpose. Always clean the barrel from the breech. Any slight wear at the muzzle caused by the cleaning rod will make a perfect barrel inaccurate.

A small amount of oil should be put into front end of barrel jacket to lubricate the barrel and springs inside of jacket.

LIST OF COMPONENT PARTS MODEL 8 HIGH-POWER AUTOLOADING RIFLE

(See Illustrations)

In ordering parts, specify model, caliber, part name, and the serial number of rifle. All parts marked with an asterisk (*) must be fitted at factory or service station.

PART NO.	NAME	PRICE	PART NO.	NAME	PRICE
2	Action Spring (state caliber)	\$.20	111	Front Sight Lock Screw	\$.10
1	Action Spring Follower	.10	42	Hammer	.80
3-4	Action Spring Plug and Pin	.10	46	Hammer Bushing	.10
5	Action Spring Tube	.25	45	Hammer Pin	.10
6	Barrel (see footnote)	12.00	43	Hammer Roll	.10
8	Barrel Jacket Grade A, B, C	8.00	44	Hammer Roll Pin	.10
	Grade D	10.00	48	Link	.80
	Grade E	16.00	49	Link Pin	.10
	Grade F	20.00	134	Magazine (box)	3.50
9	Barrel Jacket Bushing	.20	135	Magazine Follower	.10
122	Barrel Jacket Plug Screw	.10	138	Magazine Side Spring, left	.20
96	Barrel Jacket Washer (.25 cut. only)	.10	103	Magazine Side Spring, right	.20
130	Barrel Lock	.60	57	Magazine Spring	.40
12	Barrel Lock Screw	.10	134½	Magazine Complete	4.00
131	Barrel Lock Spring	.10	136½	Magazine Indicator Complete	1.00
210	Barrel Nut (state caliber)	.60	59	Main Spring	.50
295	Barrel Nut Washer (state caliber)	.10	60	Main Spring Screw	.10
14	Bolt (see footnote)	2.50	61	Operating Handle	1.00
19	Bolt Carrier (see footnote)	5.00	62	Operating Handle Bushing	.10
20	Bolt Carrier Latch	.30	63	Operating Handle Plunger	.10
110	Bolt Carrier Latch Screw	.10	64	Operating Handle Plunger Spring	.10
21	Bolt Carrier Latch Spring	.15	65	Peep Sight Plug Screw	.10
15	Bolt Lock	.25	69	Rear Sight Base	1.60
18	Bolt Lock Pin	.10	70	Rear Sight Leaf	.20
17	Bolt Lock Spring	.20	71	Rear Sight Leaf Screw	.10
24	Buffer Spring (state caliber)	.50	72	Rear Sight Screw (2), each	.10
209	Butt Plate (steel, rifle shape)	1.50	73	Rear Sight Stop	.10
91	Butt Plate Screw (2), each	.10	66	Receiver Grade A-C	16.00
25	Butt Stock Grade A, B	6.00		Grade D	50.00
	Grade C	20.00		Grade E	80.00
	Grade D	30.00		Grade E	100.00
	Grade E	40.00	67	Recoil Spring (state caliber)	.20
	Grade F	60.00	68	Recoil Spring Case (state caliber)	.20
26	Cum Pin (2)	.20	75	Safety	1.20
27	Ejector	.20	77	Safety Rocker	1.00
29	Ejector Pin	.10	78	Safety Rocker Stop Screw	.10
28	Ejector Spring	.10	126	Safety Screw	.10
30	Escutcheon (fore-end)	.10	80	Take Down Lever, Screw and Pin	.40
31	Extractor (state caliber)	.80	221	Take Down Screw Washer	.10
32	Firing Pin	.40	83	Tung Screw	.10
33	Firing Pin Retaining Pin	.10	84	Trigger	.80
34	Forearm Grade A	2.00	87	Trigger Pin	.10
	Grade C	8.00	41	Trigger Plate Grade A-C	4.00
	Grade D	9.00		Grade D	12.00
	Grade E	10.00		Grade E	16.00
	Grade F	12.00		Grade F	20.00
119	Forearm Screw and Washer	.20	88	Trigger Plate Screw	.10
89	Front Sight	.50	85	Trigger Spring	.20

* Unless otherwise specified, straight grip will be furnished.

REMINGTON ARMS COMPANY, INC.

ILION, NEW YORK, U.S.A.

**Effective November 15, 1941,
Retail Prices of Component
Parts Are List Plus 20%.**

**Effective November 15, 1941,
Retail Prices of Component
Parts Are List Plus 20%.**