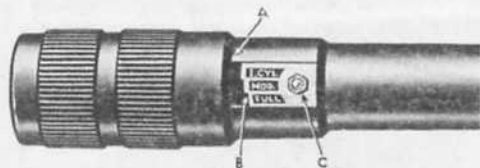


The **C-LECT-CHOKE** adjustment is instant and positive. Heretofore, the average shooter had the selection of buying guns with four different degrees of choke; the **FULL CHOKE**, for long range shooting of 40 yards or over; the **MODIFIED**, for medium range shooting from 30 to 35 yards; the **IMPROVED CYLINDER**, for close range shooting of 20 to 30 yards; and the **FULL CYLINDER**, for very close range shooting up to 20 yards. The **C-LECT-CHOKE** gives you the choice of these four degrees of choke plus any in between adjustment that may be desired.



To set the **C-LECT-CHOKE** for **FULL CHOKE (FULL)** turn the adjusting sleeve until the rear edge of the sleeve "A" touches the front edge of the line just ahead of the word "FULL" on the index plate "B". For **MODIFIED (MOD)** or **IMPROVED CYLINDER (I. CYL.)** settings turn the sleeve "A" to the lines ahead of these words on the index plate. The sleeve may be set to any of these chokes or to any point in between to obtain any degree of choke desired. To adjust to **FULL CYLINDER BORE**, which is for extra close shooting, turn the adjusting sleeve one full turn beyond **IMPROVED CYLINDER**. **NEVER SHOOT THE GUN WITH THE CHOKE TURNED ANY FURTHER THAN CYLINDER BORE AND NEVER SHOOT THE GUN WITHOUT THE ADJUSTING SLEEVE IN PLACE. NEVER ADJUST CHOKE WHEN GUN IS LOADED.**

Rifled slugs and buckshot can be used in the **C-LECT-CHOKE** at any setting. For best results we recommend that it be set at **CYLINDER BORE**.

For cleaning and oiling, the adjustment sleeve can be removed by turning it all the way off the threads and pulling off.

Removing any accumulation of lead assures better patterns.

HOW TO MAKE YOUR OWN SETTINGS

If, for any reason, the index plate "B" is removed and you lose your setting, you will find underneath the index plate, a scratch mark which was put on at the factory. By turning the adjusting sleeve "A" up to this scratch mark, you automatically have a **FULL CHOKE** setting. You can then insert the index plate under the sleeve "A" until the **FULL CHOKE** line comes even to the edge of sleeve "A" and then put in and tighten sight "C".

10 COMMANDMENTS OF SHOOTING SAFETY



1. **TREAT EVERY GUN WITH THE RESPECT DUE A LOADED GUN.**
2. **WATCH THAT MUZZLE!** Carry your gun safely; keep safety on until ready to shoot.
3. **UNLOAD GUNS WHEN NOT IN USE**, take down or have actions open; guns should be carried in cases to shooting area.
4. **BE SURE BARREL IS CLEAR OF OBSTRUCTIONS**, and that you have ammunition only of the proper size for the gun you carry.
5. **BE SURE OF TARGET BEFORE YOU PULL TRIGGER**; know identifying features of game you hunt.
6. **NEVER POINT A GUN AT ANYTHING YOU DO NOT WANT TO SHOOT**; avoid all horseplay.
7. **NEVER CLIMB A TREE OR FENCE OR JUMP A DITCH WITH A LOADED GUN**; never pull a gun toward you by the muzzle.
8. **NEVER SHOOT A BULLET AT A FLAT, HARD SURFACE OR WATER**; at target practice be sure your backstop is adequate.
9. **STORE GUNS AND AMMUNITION SEPARATELY**, beyond reach of children.
10. **AVOID ALCOHOLIC BEVERAGES** before or during shooting.

**DO YOUR PART:
KEEP SHOOTING
A SAFE SPORT**



JOIN

THE NATIONAL RIFLE ASSOCIATION

1600 RHODE ISLAND AVE., N.W.

WASHINGTON, D.C. 20036

**O. F. MOSSBERG & SONS, INC.
NORTH HAVEN, CONNECTICUT, U.S.A.**

Mossberg
for accuracy®

WITH THE SAFETY ON TOP



MODEL **390KA**

16 GAUGE BOLT ACTION SHOTGUN
with **C-LECT-CHOKE**

FEATURES

1. Streamlined stock with pistol grip, cushion rubber recoil pad, and molded trigger guard.
2. 26" tapered, blued steel barrel — proof tested with standard proof load.
3. **C-LECT-CHOKE** — just turn the adjusting sleeve and change the choke instantly to full, modified, or improved cylinder choke.
4. 2 shot clip type magazine will load 3 shots by placing one shell in the chamber.
5. Cocks on the up stroke — can't fire until the bolt handle is all the way down.
6. Ammunition — any standard factory loaded 2¾" 16 gauge shells, standard loads, shot, buckshot, or rifled slugs.
7. Visible, positive thumb safety on top.
8. Weight about 6¾ lbs.

CAUTION

Be sure the take down screw in the stock is firmly tightened at all times. Shooting the gun with this screw loose may result in the stock splitting.

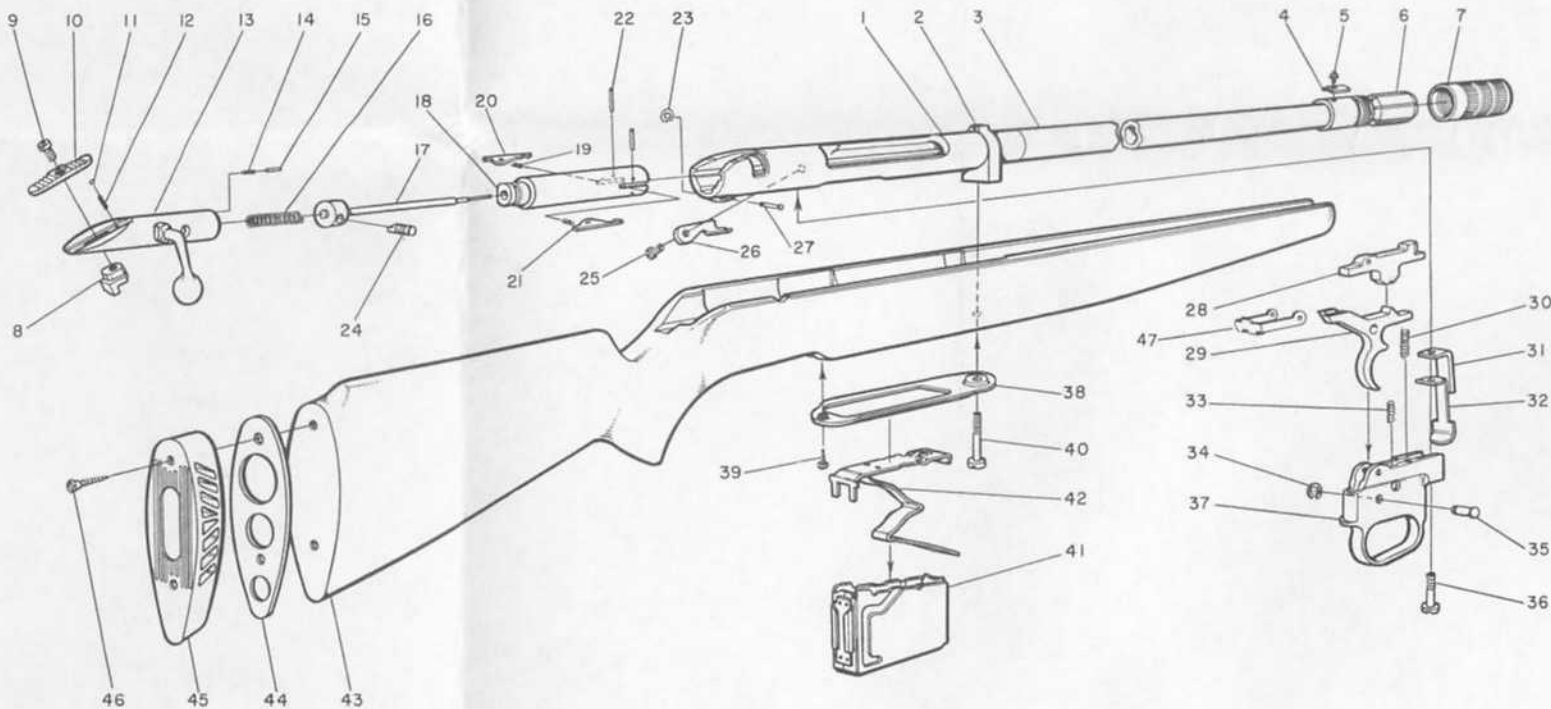
Clean grease out of barrel before shooting this gun. Always be sure there is no obstruction in the barrel such as water, mud, cleaning patch, etc. before shooting.

MODEL 390KA — PARTS LIST

Part Number	Name	Price Each
2277	Barrel Assembly, 2278	\$17.50
1 - *2014	Receiver	8.00
2 - *2015	Recoil Plate	1.00
3 - *2278	Barrel includes R652	13.50
*R651	Choke Tube complete, R647, R652, R649, S300	7.50
4 - R649	Choke Index Plate	.30
5 - S300	Front Sight	.30
6 - *R652	Choke Tube	4.40
7 - R647	Choke Adjusting Sleeve	1.60
8 - 2109	Safety Lock	.75
9 - 1560	Safety Button Screw	.20
10 - 1558	Safety Button	.75
11 - 1561	Safety Click Ball	.20
12 - 1562	Safety Click Ball Spring	.20
13 - *2016	Bolt complete	8.00
*2017	Bolt and Lever	2.50
14 - 1604	Bolt Index Plunger Spring	.20
15 - 1601	Bolt Index Plunger	.20
16 - 1607	Striker Spring	.30
17 - 2020	Firing Pin	.80
18 - 2019	Bolt Head	2.00
19 - 1585	Extractor Spring	.20
20 - 1842	Left Extractor	.75
21 - 1841	Right Extractor	.75
22 - 1599	Extractor Pin	.20
23 - 1317	Sear & Trigger Housing	.20
24 - 1616	Retaining Ring	.40
25 - 2106	Sear Pin	.20
26 - 1600	Ejector Screw	.70
27 - 2257	Ejector	.25
28 - 1615	Sear & Trigger Housing Retaining Pin	1.10
29 - 2254	Sear	1.30
30 - 1617	Trigger	.20
31 - 1591	Sear Spring	.40
32 - 1606	Angle Bar	.40
33 - 2038	Magazine Latch	.20
34 - 1217	Trigger Spring	.20
35 - 1612	Trigger Retaining Ring	.25
36 - 1597	Trigger Pin	.35
37 - 1598	Trigger Housing Screw	4.50
1596	Trigger Housing complete, includes 1217, 1596, 1612, 1617, 1624, 2038	3.00
1596	Trigger Housing only	.50
38 - 2028	Stock Plate	.20
39 - 2107	Stock Plate Screw & Nut	.35
40 - 949	Take Down Screw	2.25
41 - R659	Magazine complete with 2110	1.25
R693	Magazine without 2110	1.25
42 - 2110	Magazine Spring Assembly	.75
R336	Magazine Spring	.75
R661	Magazine Follower	12.50
43 - 2221	Stock complete with 967, 1401, R171	.30
44 - 967	Recoil Pad Spacer	1.50
45 - 1401	Recoil Pad	.20
46 - R170	Recoil Pad Screw	1.00
47 - 2255	Safety Adapter	

*Gun must be sent to the factory or to a competent gunsmith to have this part fitted. Prices subject to change without notice. No orders accepted under \$1.00.

When ordering parts give the Part Number and the Model Number (as marked on the barrel).



1. TO ASSEMBLE GUN — Remove the magazine by pressing the magazine latch and sliding the magazine off. Fit the barrel and stock together with the trigger housing fitting in the corresponding hole in the stock. **TIGHTEN THE TAKE DOWN SCREW** in the stock **SECURELY**. Shooting the gun with this screw loose may result in the stock splitting.

2. TO LOAD — Put 2 shells in magazine and insert magazine, then raise bolt handle and open and close action. To load three shells, put 2 shells in the magazine, open the action and put one shell in the chamber, close the action, push

the bolt handle down, insert the magazine. The gun is now ready to fire.

3. SAFETY — The safety button is located in the rear end of the bolt. To put on **SAFE** slide the safety button down to cover the red dot. To take off safe push the safety button up. When the **RED DOT** can be seen the gun is off safe, **DANGER**, the gun can be **FIRE**D.

4. AFTER GUN IS FIRED — Pull bolt back as far as it will go. This ejects the old shell and cocks the gun. Then push the bolt forward and push bolt handle down. Gun is ready to fire again.

5. AMMUNITION — Any standard factory loaded 2¾" 16 gauge standard shells.

6. TO REMOVE BOLT — Open the action, hold back on the trigger and the bolt will slide out.

7. TO DISASSEMBLE BOLT — Depress the Bolt Index Plunger located in the slot in the side of the bolt. Turn the bolt one half turn and the bolt head will slide off.

8. REAR SIGHT — The rear sight on the receiver raises the sighting line to provide fast, accurate shooting — especially advantageous when shooting rifled slugs for deer and other big game.