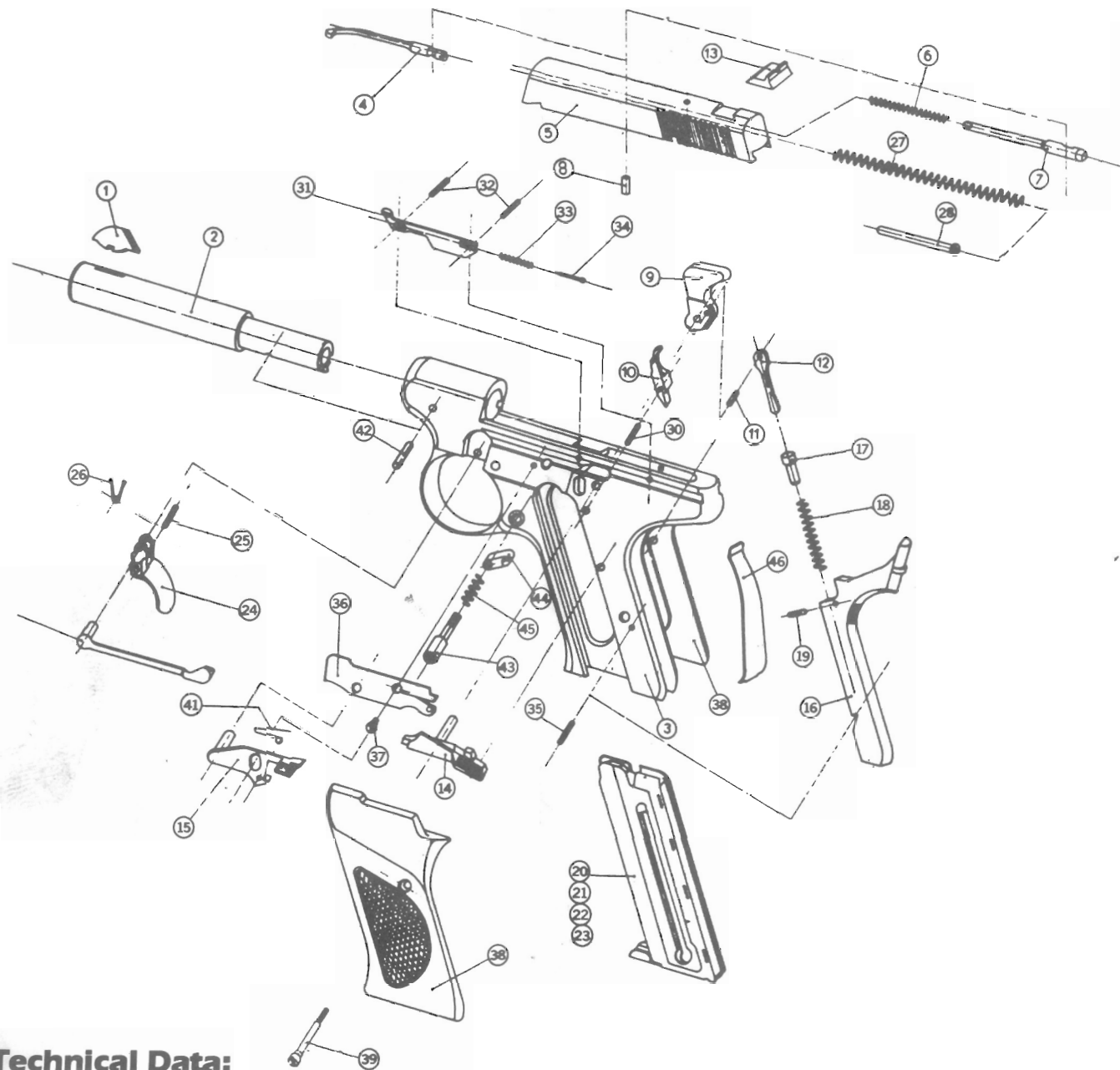


TRAILSMAN
MODEL: TM22
Caliber .22
Long Rifle Auto. Pistol



2202 Redmond Rd.
Jacksonville, AR 72076
(501) 982-9491



Item No.	Name	Item No.	Name
1.	Front sight	26.	Trigger spring
2.	Gun barrel	27.	Recoil spring
3.	Frame	28.	Recoil spring guide pin
4.	Cartridge case extractor	29.	Trigger bar
5.	Slide	30.	Sear pin
6.	Striker spring	31.	Ejector and magazine safety
7.	Striker	32.	Ejector guide pin
8.	Striker/extractor retainer pin	33.	Ejector spring
9.	Hammer	34.	Ejector spring guide
10.	Hammer sear	35.	Mainspring housing retainer pin
11.	Hammer strut pin	36.	Trigger plate and safety spring
12.	Hammer strut	37.	Trigger plate and safety spring screw
13.	Rear sight	38.	Grips
14.	Safety	39.	Stock screw (grips screw)
15.	Slide stop	40.	Slide stop screw
16.	Mainspring housing	41.	Slide stop spring
17.	Propeller pin (hämmer spring plunger)	42.	Barrel retaining pin
18.	Hammer Spring	43.	Mag. release button
19.	Magazine guide retaining pin	44.	Magazine catch
20.	Magazine spring	45.	Magazine catch spring
21.	Magazine tube	46.	Back strap spring
22.	Follower button		
23.	Follower		
24.	Trigger		
25.	Trigger pin		

OPERATING INSTRUCTIONS

SAFETY. It is your responsibility to handle this firearm in a safe manner. Improper handling could result in injury, death or property damage. In order to be safe, it is your responsibility to read and to understand the operating instructions provided by Iver Johnson.

NOTE: This firearm is equipped with a safety device. The safety should always be **ON** when the pistol is not in use. This applies whether or not the firearm is loaded. This firearm should always be carried with the safety **ON**. Review these instructions and understand the operation of the safety before attempting to use this firearm.

OPERATION—UNLOADING—Step

One: Open the action by pulling the slide to the rear. Lock the slide in the open position by engaging the slide stop on the left side of the receiver.

Step Two: Remove magazine by depressing the magazine catch.

Technical Data:

Caliber:	.22 long rifle*
Overall length:	4¾" barrel 9 inches 6" barrel 10¼ inches
Height:	4½ inches
Width:	1¼ inches
Weight:	4¾" barrel 30 oz. 6" barrel 36 oz.
Magazine Capacity:	10 shot

Always state the item nos. when ordering spare parts.

*.22 long rifle full metal jacket functions best and gives more reliable feeding.

Step Three: Inspect the chamber for a cartridge which may have remained.

OPERATION—LOADING — Step One:

Load magazine by depressing the magazine follower with the proper round of ammunition. The round should be placed forward of feed lips on the magazine, pressed down and to the rear under the feed lips. Each successive round should be inserted in the same manner until the proper capacity is reached. Ease of loading can be gained by drawing the magazine follower button downward to relieve pressure on the follower.

Step Two: Insert the loaded magazine into the magazine well (**keep the muzzle pointed in a safe direction**). Push the magazine in until the catch snaps into place. Test the catch by pulling on the magazine. If the catch is not engaged, inspect the well for dirt, debris or any other substances which may prevent the magazine from catching.

Step Three: (With the muzzle of the pistol pointed in a safe direction), Depress the slide stop and allow the slide to close using its own spring power.

Step Four: Place the pistol in safe condition by raising the safety lock to its uppermost position.

SAFETY WARNING: Due to necessity of indexing the safety in the firing position to load or unload this firearm, you must exercise caution in handling to prevent accidental discharge. **Keep the muzzle pointed in a safe direction.**

Do not load the pistol until you are ready to use it. Unload the pistol immediately after use. Never leave a loaded firearm unattended.

TAKE DOWN AND ASSEMBLY:

1. With the muzzle pointed in a safe direction, remove the magazine and pull the slide to the rear to ensure that the chamber is empty.
2. Ensure that the magazine is empty and then reinsert the magazine into the gun.
3. Pull slide back until slide stop engages. Insert take down pin in small hole nearest to

- rear sight. Release slide stop.
4. Release the thumb and forefinger grip. Leaving the pin in place, gently push the slide forward.
5. Placing the muzzle on a hard but padded surface (such as a seat cushion), place your thumb on the deep, uppermost curve of the backstrap and depress. The backstrap will pop free.
6. Remove the backstrap and pull the slide from the frame while leaving the take-down pin in place.

PROCEDURE TO ASSEMBLE TM.22

1. Place the slide on the receiver, push to the closed position and leave the take-down pin in place.
2. Pull the trigger to make sure the hammer is fully forward (the uncocked position).
3. Insert the sear spring/backstrap spring in position with the lug of the spring in the slot by the crossover pin in the handgrip frame and the top resting on the sear and under the hammer strut.
4. Ensure that the hammer strut (small pointed pin) is in a position to engage the circular indentation in the backstrap.
5. Place the muzzle of the gun on a hard, padded surface and insert the main spring/backstrap housing into position (adhering to steps 2 and 3 requirements). Push inward and downward until the notch in the backstrap engages the crossover pin.
6. Pull the slide completely to the rear (this will remove the tension to the slide spring) and remove the take-down pin. The slide should automatically spring forward to the closed position.

