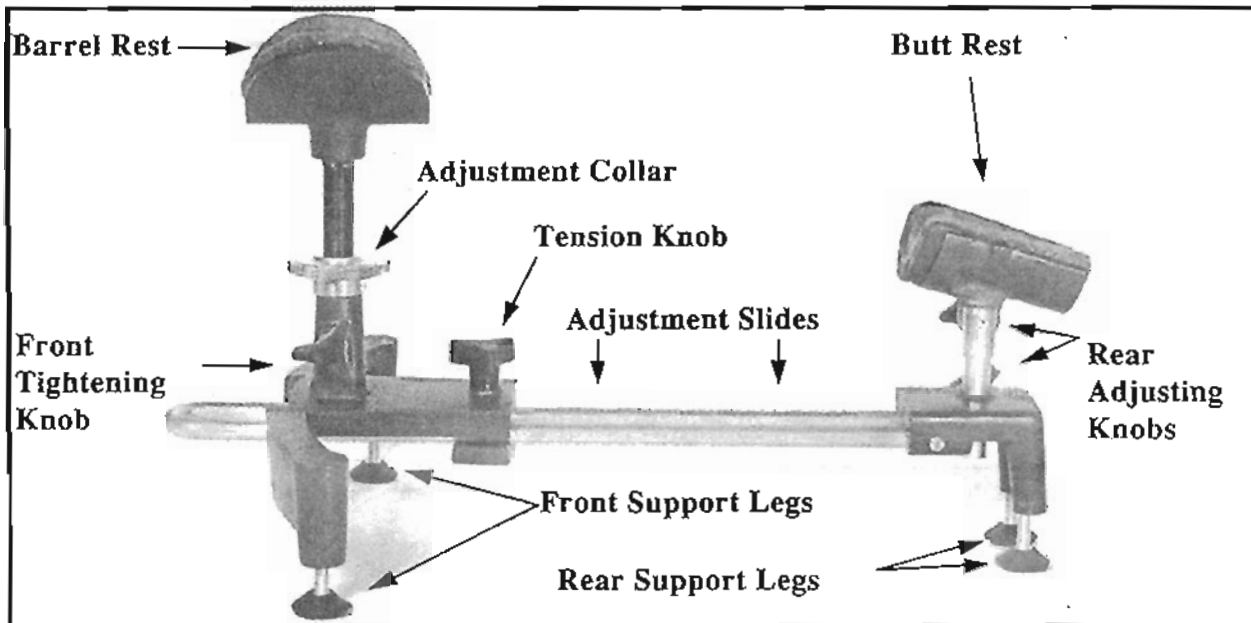
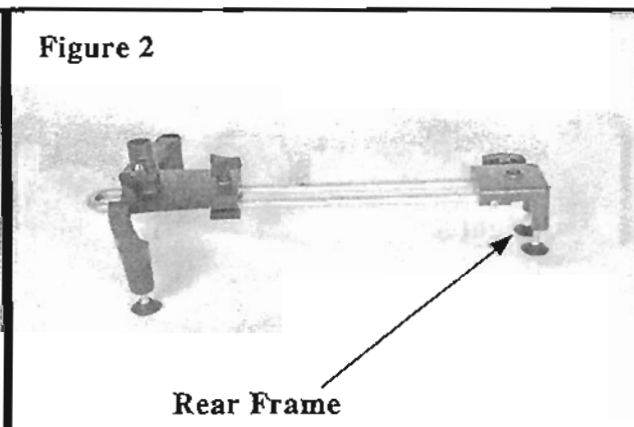
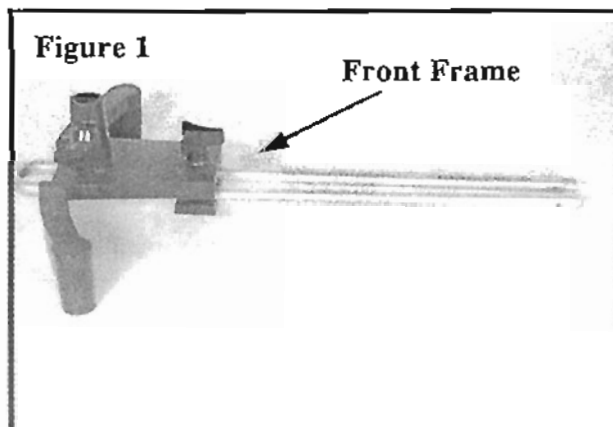


# PARTS LIST FOR THE PREMIUM RIFLE REST

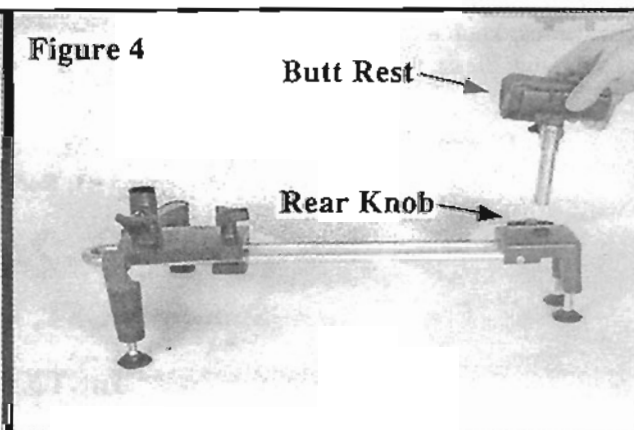
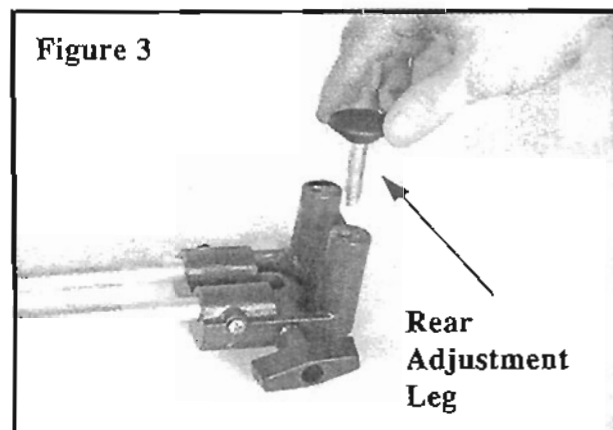


## Assembly Instructions for the Premium Rifle Rest



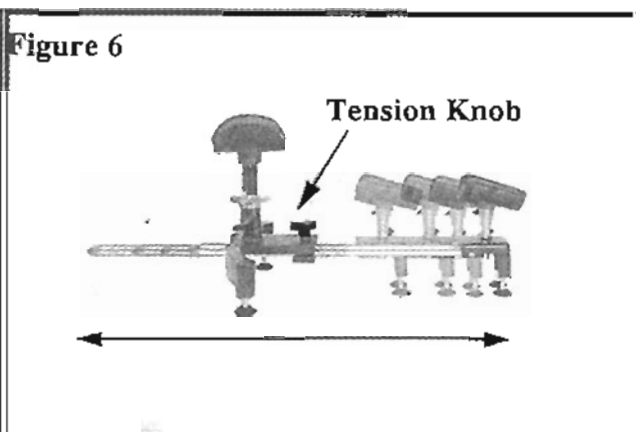
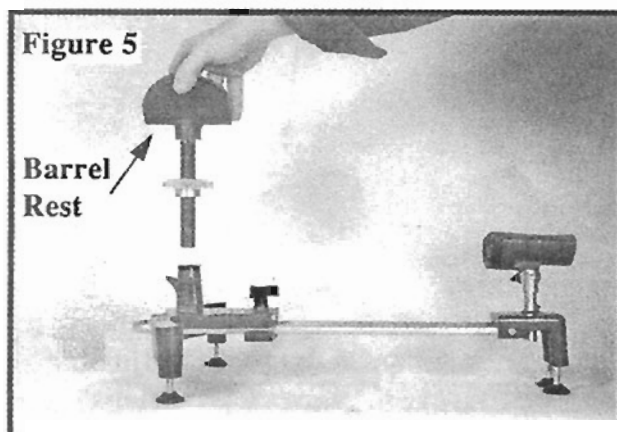
1. Locate the front frame (Figure 1).

2. Locate the rear frame. Line up the hole in the rear frame with the hole in the tube of the front frame. After the holes are lined up insert the screw and tighten completely (Figure 2). Repeat for other side.



3. Flip the rifle rest upside down. Insert the rear adjustment legs into the rear frame (Figure 3). Repeat for other rear adjustment leg and for the front two adjustment legs.

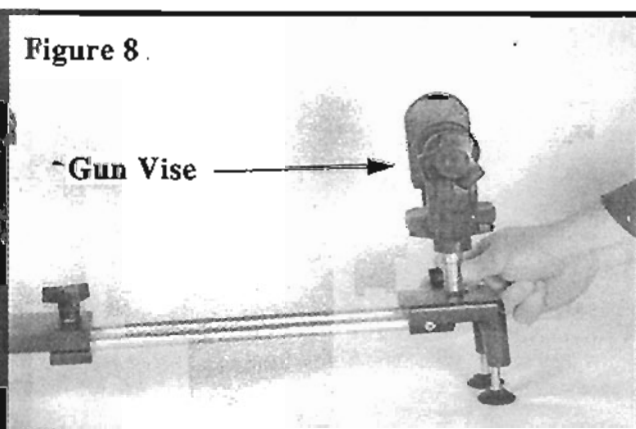
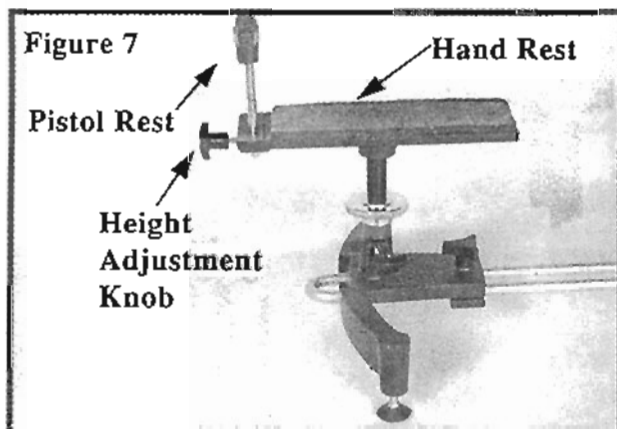
4. Flip the rifle rest right side up. Insert the butt rest into the rear frame (Figure 4). Use rear knob to tighten/adjust.



5. Locate the barrel rest. Insert the barrel rest into the front frame (Figure 5). Adjust the adjustment collar to the desired height.

6. After the barrel rest has been inserted, adjust the length of frame to length that's comfortable for you (Figure 6). After you have found the desired length, tighten down the tension knob.

## To install the Gun Vice and/or the Pistol Rest



7. To use the pistol rest, remove the barrel rest from the front frame. Insert the pistol rest into the front frame (Figure 7). Use the height adjustment knob to raise and lower the pistol rest. To raise or lower the hand rest and the pistol rest use the adjustment collar (same as on the barrel rest).

8. To use the gun vise, remove the butt rest from the rear frame. Insert the gun vise into the rear frame (Figure 8). Use the rear knob to raise or lower the gun vise. Turn the knob on the gun vise to tighten or loosen against the butt of your gun. Please note: the gun vise is not designed to hold the gun during firing, it is for cleaning purposes only.

**If you have any questions regarding the safe use of this product,  
Please contact InSTEP LLC before using:**

**1-800-242-6110**

**8am-5pm CST, Monday-Friday**

**InSTEP LLC**

**2425 Enterprise Drive, Suite 900**

**Mendota Heights, MN 55120**

**Or visit our web site at [www.instep.net](http://www.instep.net) or email us at [info@instep.net](mailto:info@instep.net)**