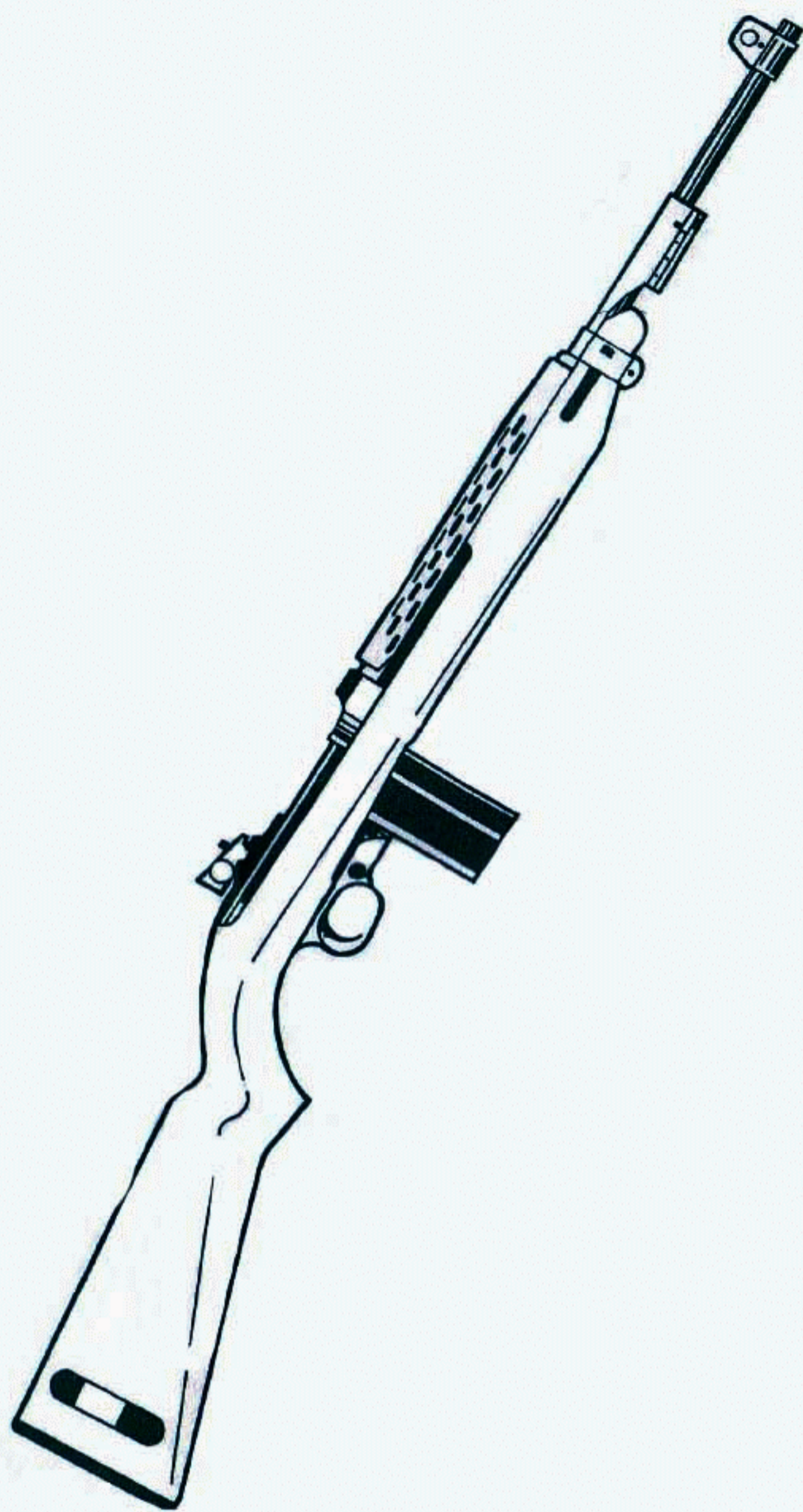


# M1 CARBINE MODEL M 888



**iai**, inc

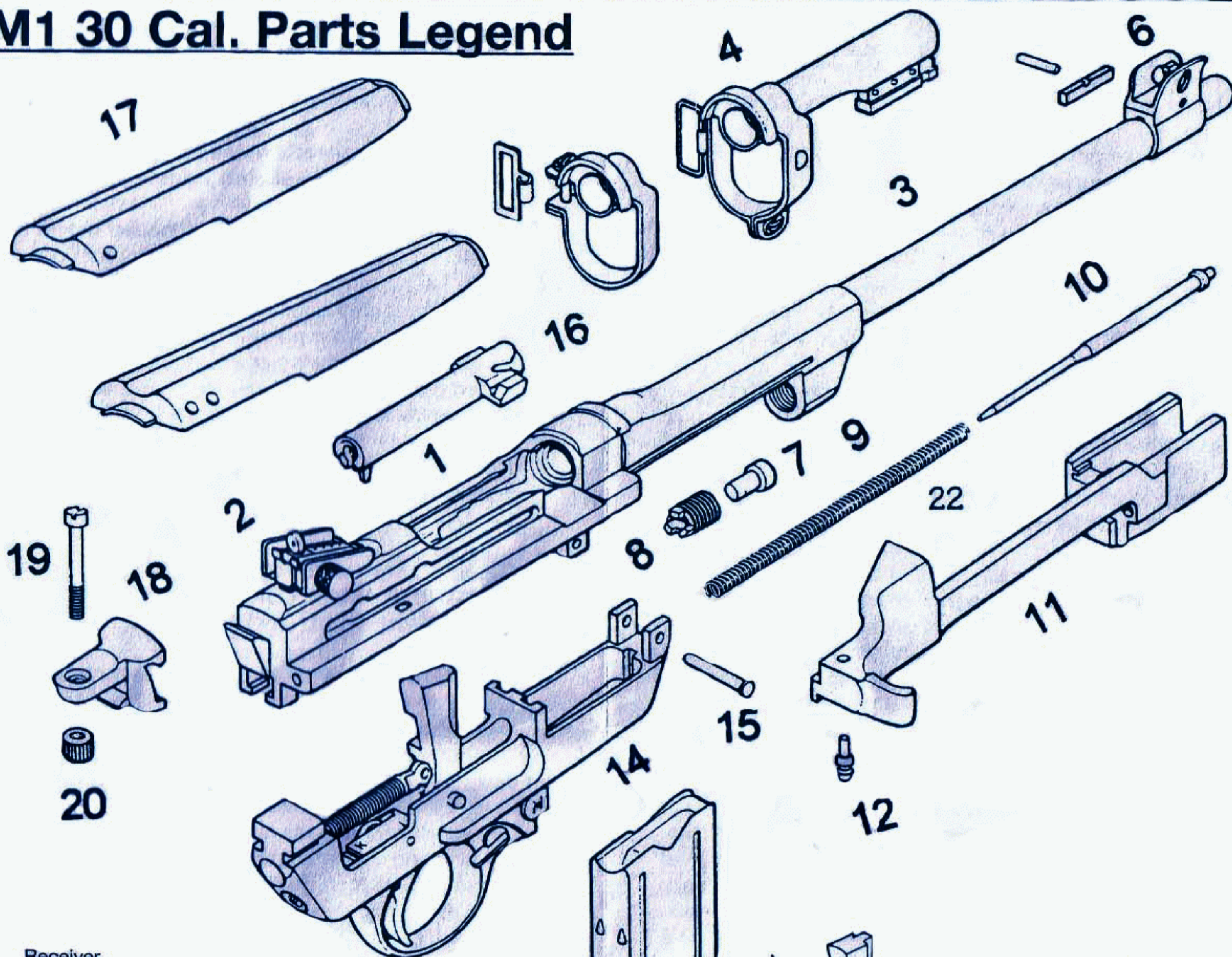
5709 Hartsdale

Houston ,TX 77036, USA

Tel: 713-789-0745, Fax:713-789-7513

[www.isrealarms.com](http://www.isrealarms.com)

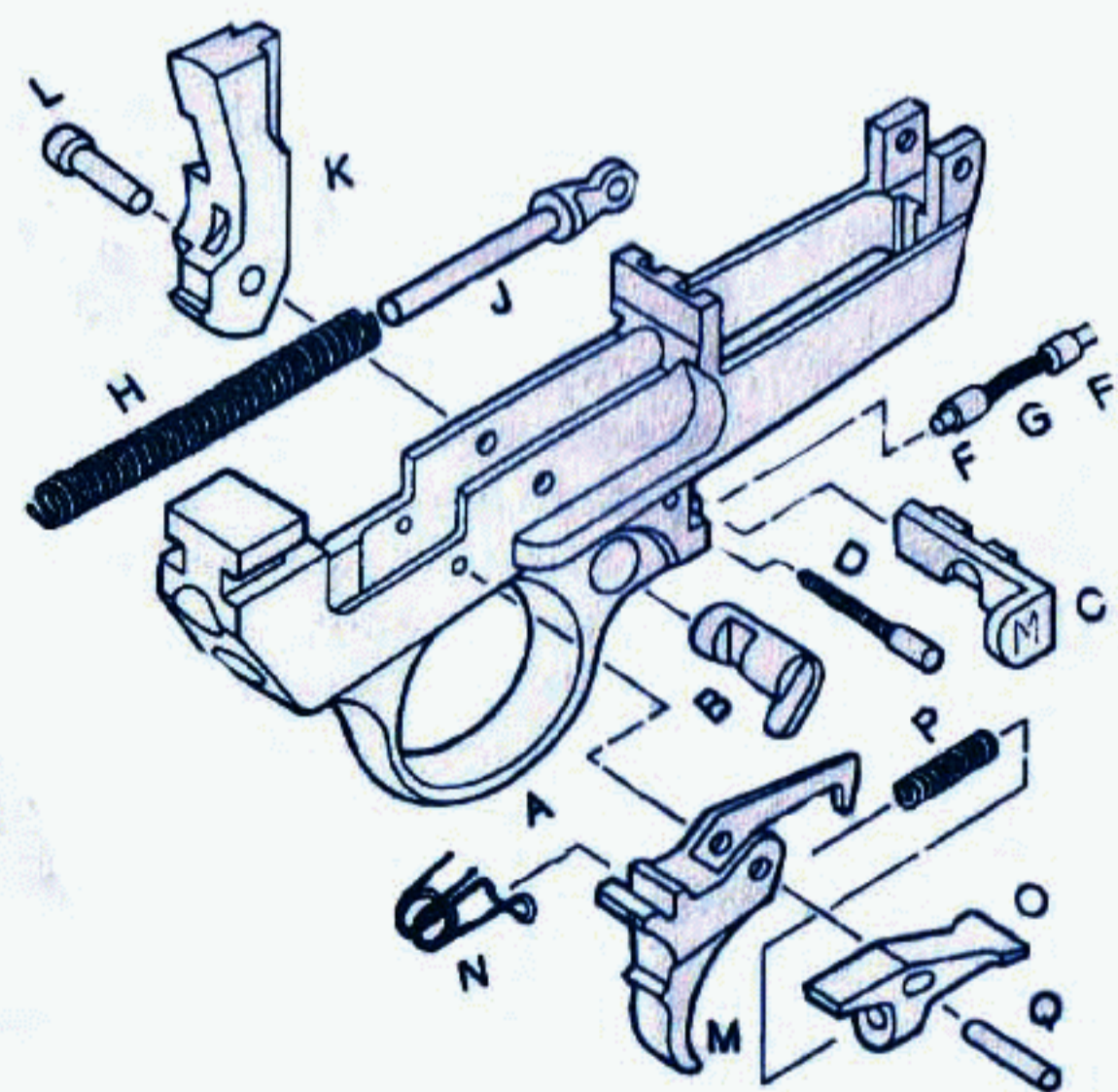
# M1 30 Cal. Parts Legend



1. Receiver
2. Rear sight assembly
3. Barrel (with integral gas cylinder lug)
4. Front band assembly
- 4a. Front band lock spring (contained in forward end of stock-not shown)
5. Front band screw
6. Front sight assembly
7. Piston
8. Piston Nut
9. Operating slide spring
10. Operating slide spring guide
11. Operating slide
12. Operating slide stop pin
13. Operating slide stop spring
14. Trigger housing assembly
15. Trigger housing retaining pin
16. Bolt assembly
17. Handguard assembly
18. Recoil plate
19. Recoil plate screw
20. Recoil plate screw escutcheon (contained in underside of stock)
21. Magazine assembly

## Trigger Assembly

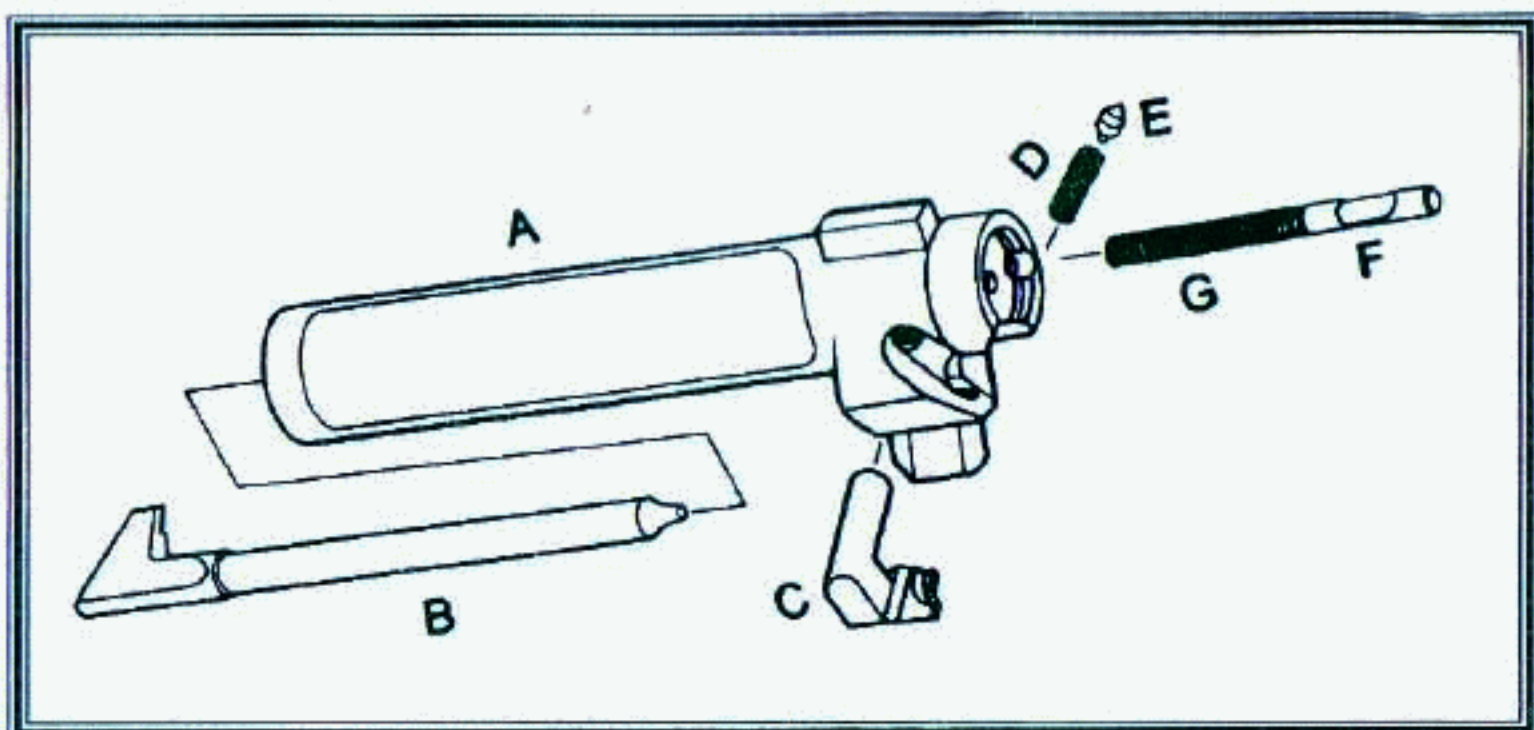
- A. Trigger housing
- B. Safety
- C. Magazine catch
- D. Magazine catch spring
- E. Magazine catch spring plunger
- F. Safety detent plungers (2)
- G. Safety detent plunger spring
- H. Hammer spring
- J. Hammer spring plunger
- K. Hammer
- L. Hammer pin
- M. Trigger
- N. Trigger spring
- O. Sear
- P. Sear spring
- Q. Trigger pin



## Disassembly Procedures :

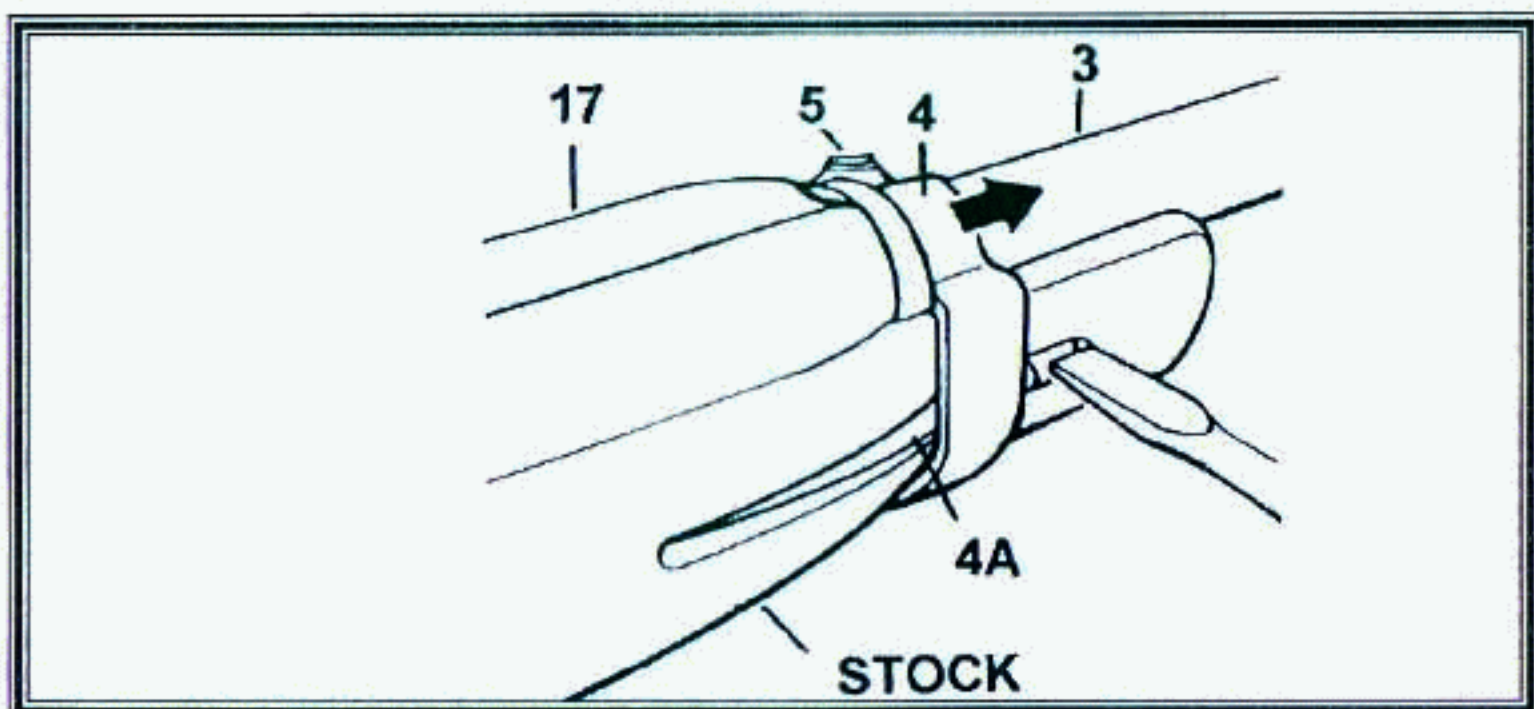
Push magazine catch (C below) to left and withdraw magazine (21) from underside of receiver (1). Loosen front band screw (5) and depress front band lock spring, which is set in forward end of stock at right. Slip front band (4) forward on barrel (3). Slide wooden hand-guard (17) forward until its metal liner disengages from under the cut in front of receiver and lift handguard free. Separate barrel and receiver assembly from stock by lifting end of barrel until lug at rear of receiver disengages from recoil plate (18). Push trigger housing retaining pin (15) out of receiver and trigger housing (14) from left to right. Pull trigger housing (14) forward until it clears grooves at rear of receiver and remove from receiver. Pull operating slide spring (9) and guide (10) to rear and disengage front of guide from its seat in the operating slide (11). Move guide and spring to right in order to clear edge of slide and remove from receiver. Pull operating slide (11) back until lug at rear of slide clears cut-out in retaining groove at right side of receiver. Lift handle of slide up and to right free of groove. Push slide forward slightly, rotating counterclockwise so that lug in front end of slide clears cut-out in slide groove in underside of barrel. Remove slide. Slide bolt (16) to rear about 1 inch or more and twist bolt to the left while pulling forward end upward. Turn bolt so lug on rear of firing pin will clear cut in rear of receiver and remove bolt. Disassembly of trigger housing parts shown below is not necessary for normal cleaning purposes and is not recommended. **Reassemble in reverse.**

**1** To disassemble bolt, press in extractor spring plunger (e) with small screwdriver blade or similar tool and push extractor (c) up out of bolt (a) from bottom, taking care to prevent forcible ejection of compressed spring (d). Ejector and spring (g & f) and firing pin (b) are easily removed. **Reassemble in reverse.**

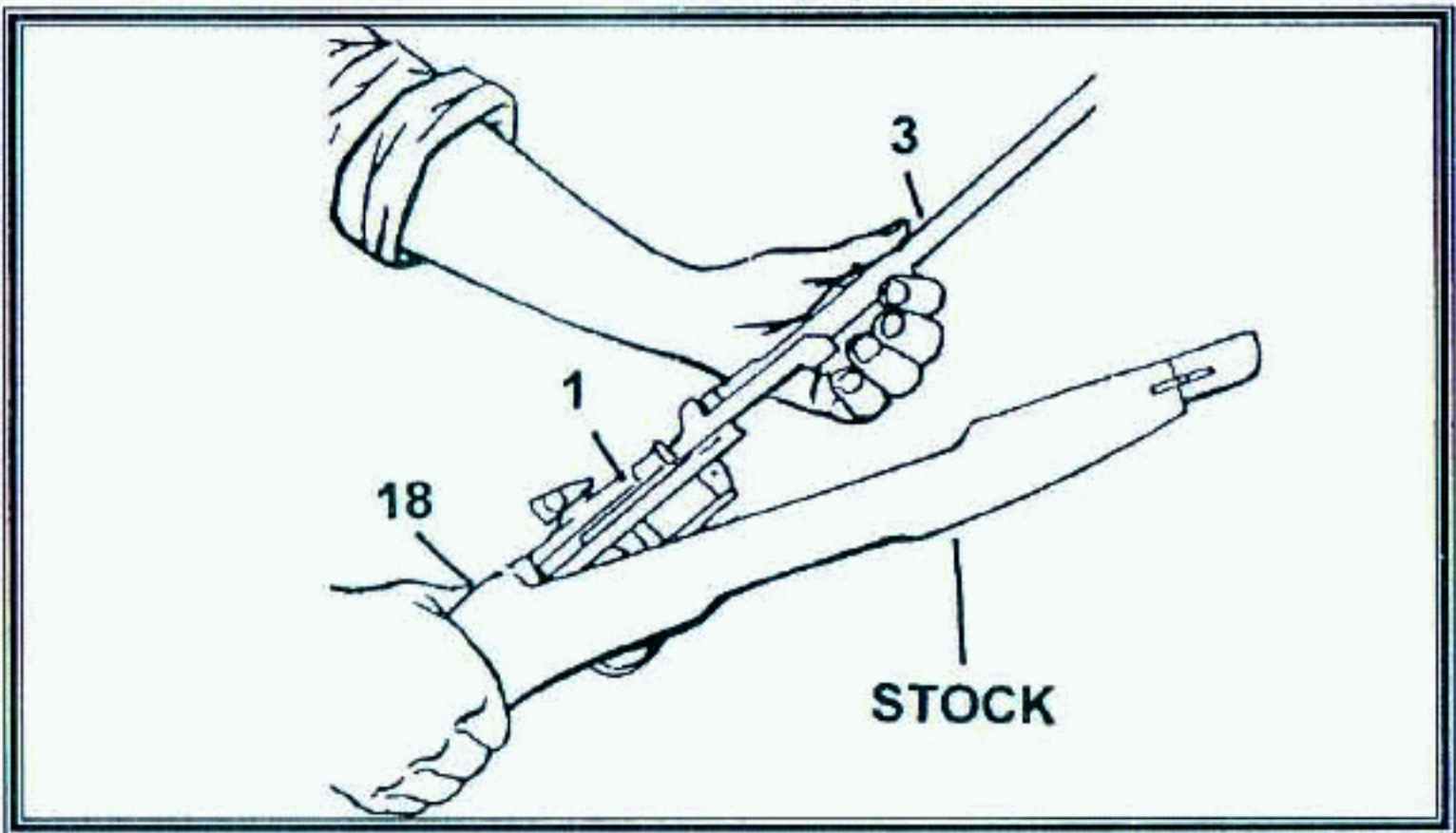


a) Bolt. b) Firing pin. c) Extractor. d) Extractor spring. e) Extractor spring plunger. f) Ejector. g) Ejector spring.

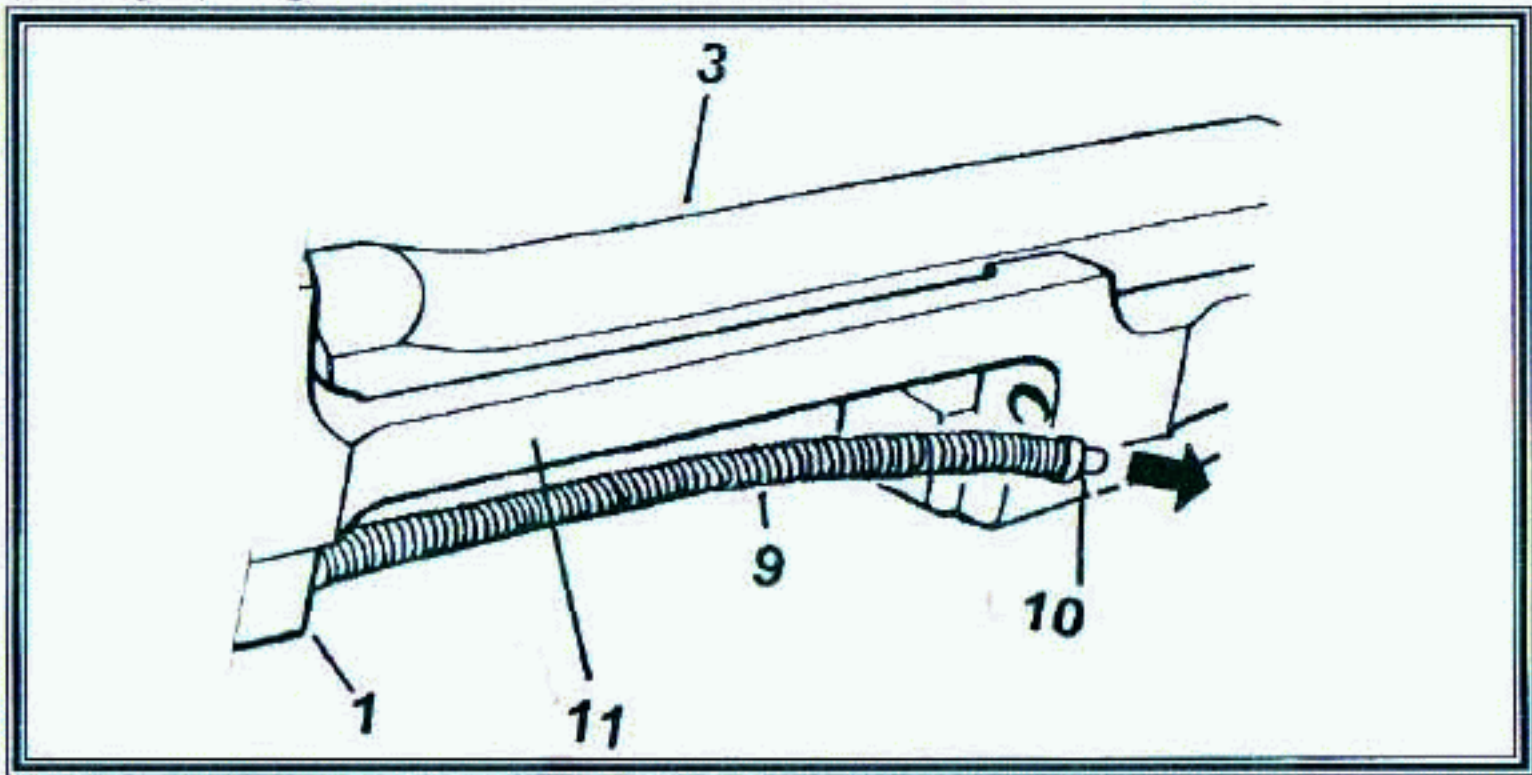
**2** Before removing front band (4), front band spring (4A) must be depressed as shown, using tip of screwdriver blade or small punch. Slide the band forward until it is clear of the stock and of the hand-guard (17).



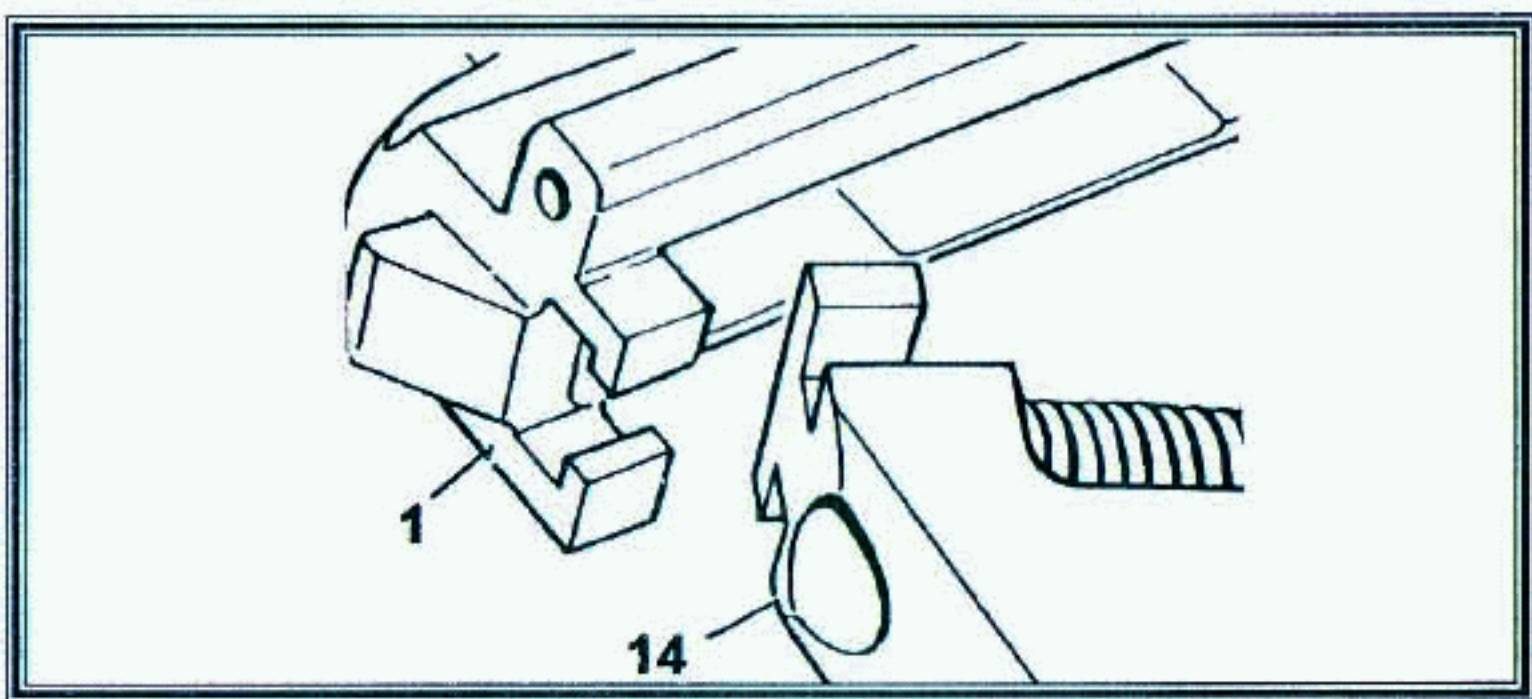
**3** To separate barrel and receiver from stock, grasp stock in right hand as shown and lift front of barrel upward until the rear end of the receiver is free of the recoil plate (18) in the stock



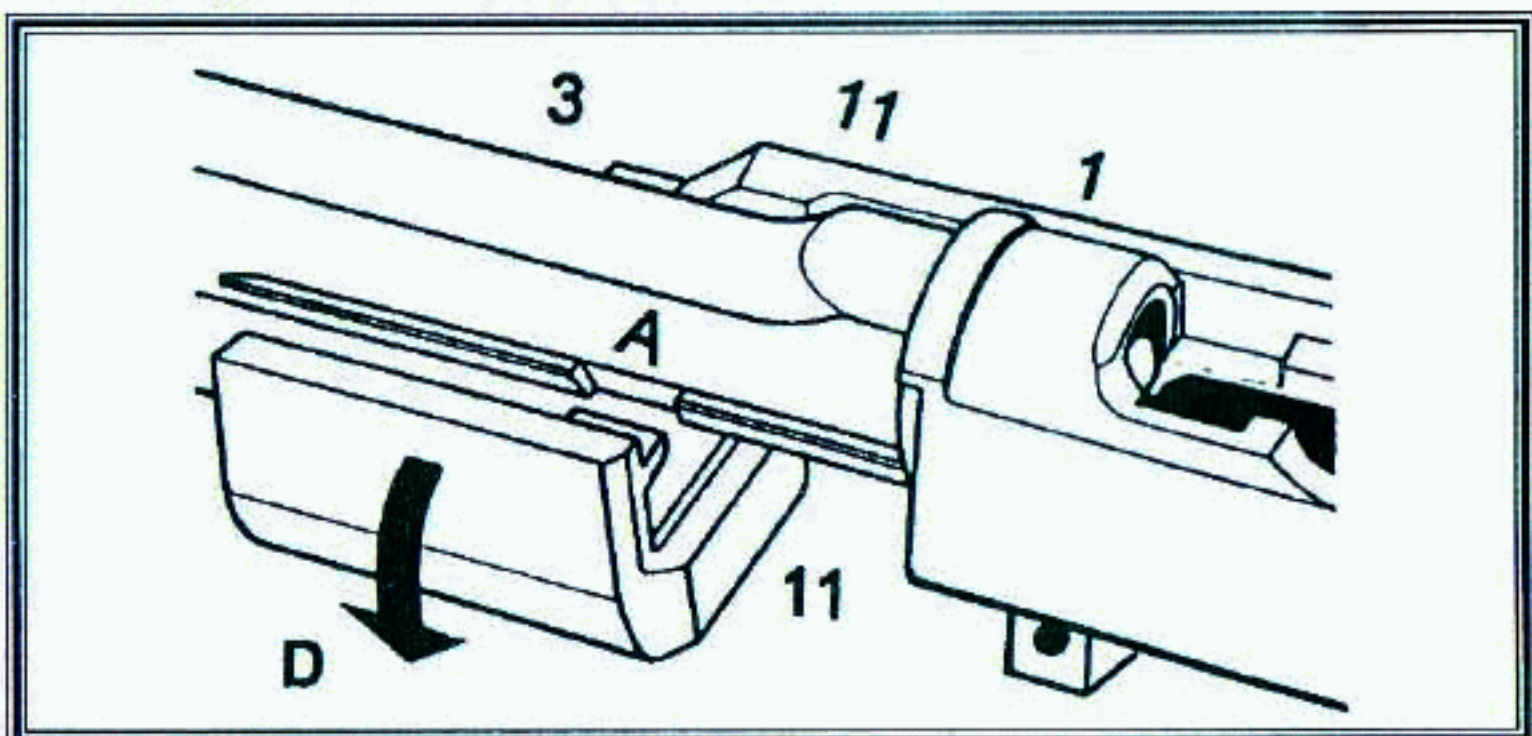
**4** Pull operating slide spring (9) and guide (10) to rear slightly until guide is clear of hole in slide (11). Move guide and spring to right as shown in order to clear slide and withdraw guide and spring to front, pulling spring out of its hole in the front end of the receiver



**5** After removing trigger housing retaining pin (15), trigger housing (14) must be pushed forward until lugs at rear of housing are clear of slots in underside of receiver as shown



**6** After disengaging lug at rear of operating slide (11) from retaining groove at right of receiver, move slide forward to position shown and rotate counterclockwise to disengage the lugs at the front of the slide from the grooves in barrel as shown at "A"



## GENERAL PRECAUTIONS

1. Always handle your rifle as if it were loaded so that you never fire accidentally.
2. Never point your rifle at anything you do not intend to shoot.
3. Never take anyone's word that a firearm is unloaded. Check for yourself with your finger off the trigger and the gun pointed in a safe direction.
4. Always be sure the barrel and action are clear of obstructions. Clear obstructions immediately so that the rifle will function correctly and safely.
5. Never squeeze the trigger or put your finger in the trigger guard until you are aiming at the target you intend to shoot.
6. For storage: Unload the firearm, then, after verifying that the firearm chamber is empty and the magazine is out, point the rifle in a safe direction and pull the trigger. Store the firearm in a secured place away from children.
7. Never shoot at a hard surface such as a rock or a liquid surface such as water. A bullet may ricochet and travel in any direction.
8. Always be sure your backstop is adequate to stop and contain bullets before beginning target practice.
9. Always be absolutely sure of your target and the area behind it before you squeeze the trigger. A bullet could travel through or past your target for up to 1½ miles. If in doubt, do not shoot.
10. Always place a responsible and competent person in charge to maintain safety, discipline, and control when a group is firing on a range to reduce the likelihood of accidents.
11. Always carry your rifle empty and open while on a public or club range until preparing to fire. Keep it pointed towards the backstop during loading firing and unloading.
12. Never leave a rifle unattended. Someone, especially a child, may fire it believing it to be a toy.
13. Never use your rifle if it fails to function properly, and never force a jammed action as the jammed round may explode.
14. Failure to fire: Always hold the rifle pointed towards the target and wait 30 seconds should the rifle fail to fire. If a hang fire (slow ignition) has occurred, the round will fire within 30 seconds. If the round does not fire, remove magazine, eject round and examine primer. If firing pin indent on primer is light off center or nonexistent, have the rifle examined by a competent gun smith. If firing pin indent on primer appears normal (in comparison with similar previously fired rounds) assume faulty ammunition and empty cases. Reload and carry on firing.  
**NOTE:** Dispose of misfired rounds in accordance with ammunition manufacturer's instructions.
15. Never fire your rifle near an animal unless it is trained to accept the noise. An animal's startled reaction could injure it or cause an accident
16. Never walk, climb, follow a companion or hunt with your rifle ready to fire.

17. Never drink alcoholic beverages or take drugs before or during shooting. Your vision and judgement could be seriously impaired, making firearm handling unsafe.
18. Always seek your doctor's advice if you are taking medication to be sure you are fit to shoot and handle your firearm safely.
19. Always wear ear protection when shooting.
20. Always wear protective shooting glasses for eye protection.
21. Always make sure your rifle is not loaded before cleaning, storing, traveling or handing it to another person.
22. Always keep clear and keep others clear of the ejection port as spent cartridges are ejected with enough force to cause injury. Never place fingers in ejection port or on hot slide or barrel during or after firing as they could be burned by hot metal.
23. Never place fingers in ejection port as they could be injured.
24. Use only high quality, commercially manufactured ammunition in excellent condition and in the caliber of your rifle. Use of reloaded ammunition will void the warrant.

**CAUTION: TO MINIMIZE RISK OF UNINTENTIONAL DISCHARGE AND DAMAGE, LOAD LIVE AMMUNITION INTO RIFLE ONLY WHEN YOU ARE ABOUT TO SHOOT.**

**NOTICE: IAI, INC.** shall not be responsible for injury, death, or damage to property resulting from either intentional or accidental discharge of this firearm or from its function when used for purposes or subjected to treatment for which it was not designed. **IAI, INC.** will not honor claims involving this firearm that result from careless or improper handling, unauthorized adjustment or parts replacement, corrosion neglect, the use of wrong caliber ammunition, the use of ammunition other than original high quality commercially manufactured ammunition in good condition or any combination thereof. **IAI, INC.** will not honor claims involving this firearm for any reason when the second or subsequent owner makes such a claim.

**IMPORTANT:** This firearm was tested carefully, inspected and packaged before leaving the factory. **IAI, INC.** cannot control product handling after it leaves the factory. Therefore, please examine this firearm carefully at the time of purchase to ensure that it is unloaded and undamaged. The dealer will be pleased to assist you in making the examination and endeavor to answer your further questions. This instruction manual should always accompany this firearm and be transferred with it upon change of ownership.

**WARRANTY STATEMENT:** **IAI, INC.** offers no express warranty on its products line. However, **IAI, INC.** recognizes its obligation concerning implied warranty. **IAI, INC.** products will be serviced for a period of one year from date of retail purchase for defects in materials or workmanship at no charge to the purchaser. Be sure to retain your sales receipt as proof of purchase.

**INSTRUCTIONS FOR USE:** Read and understand this manual before removing this firearm from its package. Pay special attention to safety instructions and procedures, which appear in the safety chapter of this manual. Failure to adhere to safety information could result in property damage, personal injury or death.

**Note:** Always assume that this rifle or any other firearm is loaded and capable of being discharged until the magazine is removed and you have inspected the chamber and completed the unloading procedures.

To reduce the possibility of an accidental discharge, do not place your finger on the trigger until the the firearm is pointed at the target an you intend to fire. Any firearm, including this rifle should be considered dangerous and must not be accessible to unauthorized persons, especially children.

**Caution:** Prior to loading and firing, carefully read all instructions in this safety manual for basic advice on the proper handling and functioning of this firearm. Your safety and the safety of others (including your family ) depend on your mature compliance with this advice and your adoption, development and constant employment of **SAFE PRACTICES**. If unfamiliar with firearms in general, seek further advice through safe-handling courses run by your local gun clubs, from approved instructors or from similarly qualified organizations.

**SAFETY INSTRUCTIONS:** We want you to enjoy shooting your rifle but we want you to enjoy it safely. You may already be an experienced safe shooter, familiar with the procedures in this instruction manual, or you may never have handled a firearm before. Either way, we urge you to read this entire instruction manual carefully. It is essential to follow the instructions for your safety and the safety of others.

**WARNING:** This rifle has several mechanical safety features, all designed to prevent an accidental discharge should the rifle be dropped or receive a severe blow. Therefore, extra care and strict adherence to the safety instructions and other instructions contained within this manual are mandatory for minimizing the risk of accidents. However, like any other mechanical device, when subjected to extreme forces not normally encountered in sport shooting, law enforcement or military use, a partial failure could occur. The proper and safe function of this rifle is based on the premise that no parts are not altered or modified, and that the rifle is used for its intended purpose.