

ATTENTION

This handgun is classified by the A.T.F. Division of the Internal Revenue Service, U.S. Treasury Dept. as a firearm or dangerous weapon and is released by **Hi-Point Firearms, Beemiller Inc.** with the express understanding that **Hi-Point Firearms, Beemiller Inc.** is not responsible and assumes no liability in any manner whatsoever for injury, death, or damage to property resulting from either intentional or accidental discharge of this handgun, or from its function when used for purposes or subjected to treatment for which it was not designed. **Hi-Point Firearms, Beemiller Inc.** will not honor claims involving this firearm which result from any or a combination of any of the following:

- a) Improper, careless, or unsafe handling.
- b) Use of the wrong caliber ammunition.
- c) Use of ammunition, other than original high quality commercially manufactured ammunition, in good condition.
- d) Unauthorized adjustments, repairs, or alterations.
- e) Corrosion or neglect.
- f) Other influences beyond our direct and immediate control.

Hi-Point Firearms, Beemiller Inc. will not honor any claim whatsoever by second or any subsequent owner of this firearm.

Hi-Point Firearms, Beemiller Inc. will not be held liable for any injury or damages to any person resulting from the use of this firearm for any purpose, including civil defense, police activity, hunting dangerous game, or combat.

This statement of liability supersedes any other statement of liability, whether expressed or implied.

PROTECT YOUR EARS AND EYES

Hearing protectors in the form of ear plugs or ear muffs must be worn by the shooter or anyone nearby. As in any exposure to loud sounds, repeated noise from shooting may cause permanent hearing loss.

Shooting glasses or safety glasses must be worn to protect your eyes from all possible burns from powder gas, carbon residue lubricant, metallic particles or similar debris.

The Hi-Point Compensator/Accessory System

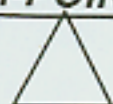
Compensators (or muzzle brakes) have been in existence for over fifty years. They began appearing on handguns in the United States in the 1960's, since then their popularity has steadily increased. Today compensators are attached to every Unlimited Class race gun.

The function of a compensator is to shorten recovery time by directing muzzle flash upward, reducing muzzle jump and overall frame/barrel movement. This action causes more energy to be transferred to the slide, allowing lighter loads to be used to enhance accuracy.

The Hi-Point Model C-9MM or CF 380 A.C.P. COMP is the only pistol designed to accept accessories that attach directly to grooves that run along the top and bottom of the compensator itself. These grooves (same as .22 scope mount) will accept standard .22 rings in 3/4", 1" and 30 millimeter, allowing the attachment of a laser, flashlight, red dot scope or optic scope. This firm and direct connection to the barrel will promote a high degree of accuracy for even the average shooter.

HI-POINT FIREARMS

by **BEEMILLER INC.**



1015 Springmill Road • Mansfield, Ohio 44906
(419) 747-9444

STOP!

YOU MUST READ INSTRUCTION SHEET

Always keep it with the pistol. If you lend, give, or sell this pistol, be sure the instruction sheet goes with it. You can get a free instruction sheet from: **HI-POINT FIREARMS, BEEMILLER INC., 1015 SPRINGMILL ROAD, MANSFIELD, OHIO 44906.**

GET INSTRUCTIONS FROM A COMPETENT FIREARM INSTRUCTOR BEFORE USING ANY GUN.

STATEMENT OF LIMITED WARRANTY

The Model C-9MM or CF 380 A.C.P. Comp is warranted to the original retail customer for life from date of original purchase against defects in material and or workmanship. All parts and labor or replacement, at our option, are covered.

Transportation to and from repair facilities, damage caused by failure to perform normal maintenance, sales outside the United States, damage due to the use of high pressure, reloaded or other nonstandard ammunition, or any unauthorized repair, modification, misuse, abuse, or alteration of the product is not covered by this Limited Warranty.

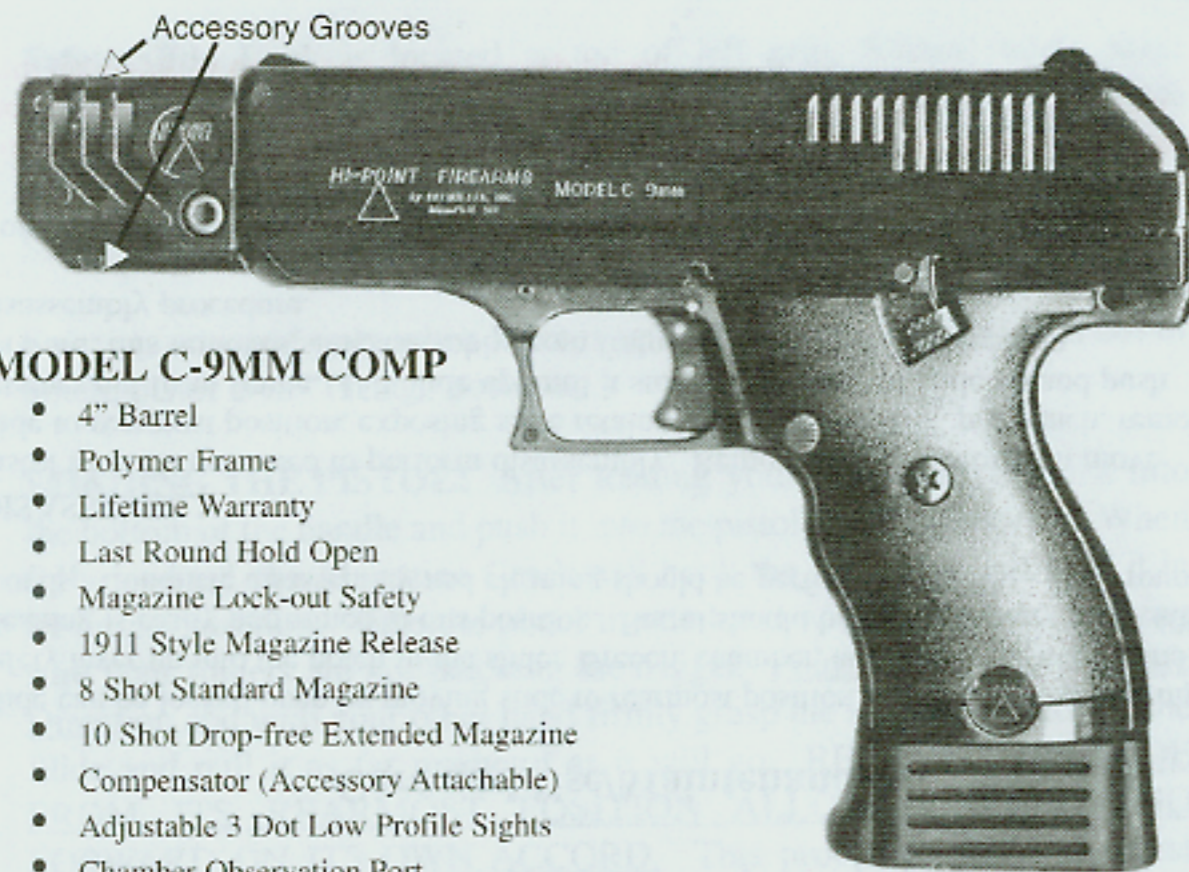
Any implied warranties, including the implied warranties of merchantability and fitness for a particular purpose, are limited to one year from date of original retail purchase. Consequential or incidental damages or expenses, or any other expenses are not covered by this warranty.

TO OBTAIN SERVICE UNDER WARRANTY

Send your firearm to us via Priority Mail or UPS along with a photocopy of your proof of retail purchase freight charges prepaid. Be sure to include a statement as to the reason for return and make sure to include your complete return street address. Ship your product to the following address: **BEEMILLER, INC., 1015 SPRINGMILL ROAD, MANSFIELD, OHIO 44906.**

FOR FURTHER INFORMATION CONCERNING SHIPPING THROUGH THE U.S. MAIL AND UNITED PARCEL SERVICE, CALL 419-747-9444.

FOR BEST RESULTS USE JACKETED AMMUNITION.



MODEL C-9MM COMP

- 4" Barrel
- Polymer Frame
- Lifetime Warranty
- Last Round Hold Open
- Magazine Lock-out Safety
- 1911 Style Magazine Release
- 8 Shot Standard Magazine
- 10 Shot Drop-free Extended Magazine
- Compensator (Accessory Attachable)
- Adjustable 3 Dot Low Profile Sights
- Chamber Observation Port

PROTECT YOUR EARS AND EYES

Hearing protectors in the form of ear plugs or ear muffs must be worn by the shooter or anyone nearby. As in any exposure to loud sounds, repeated noise from shooting may cause permanent hearing loss.

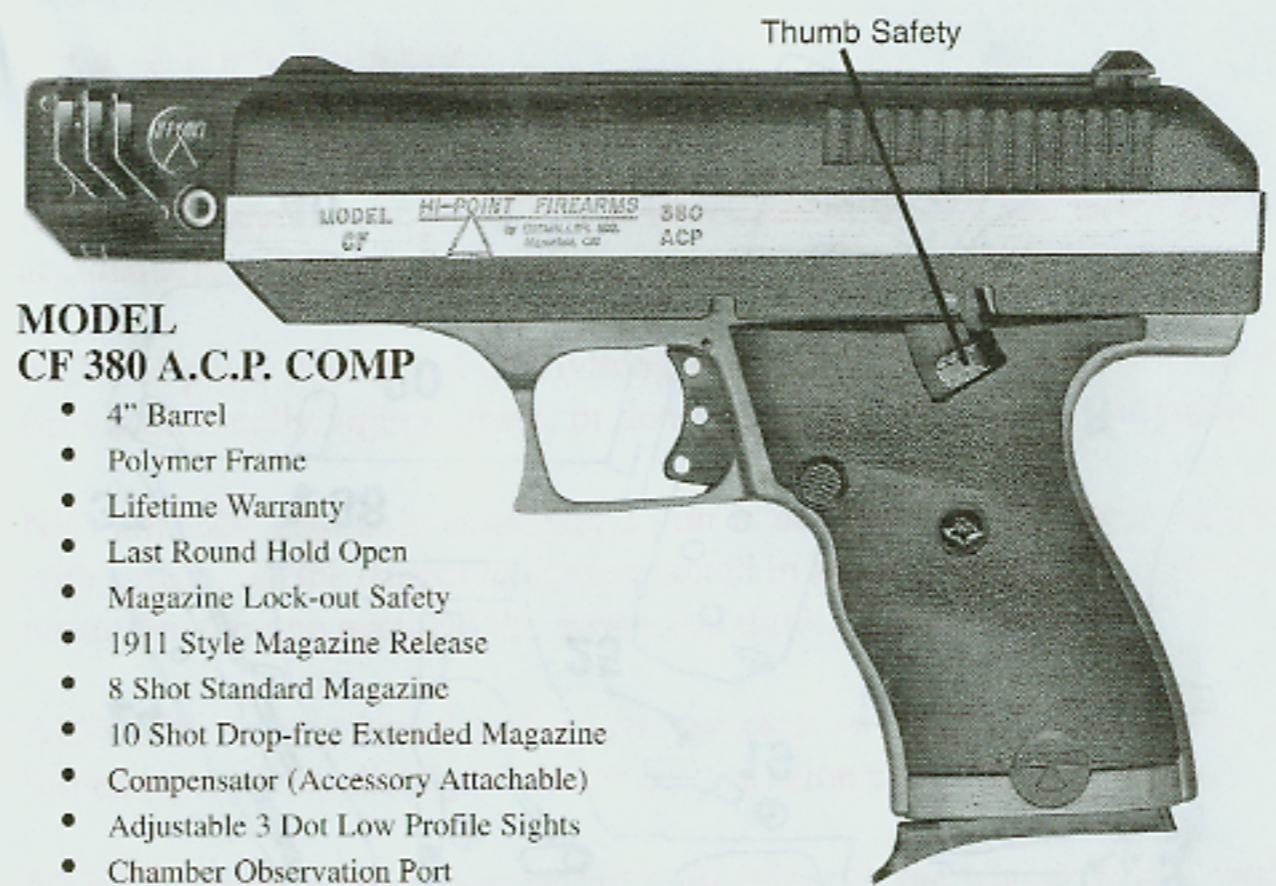
Shooting glasses or safety glasses must be worn to protect your eyes from all possible burns from powder gas, carbon residue lubricant, metallic particles or similar debris.

CAUTION

For your safety, and that of others, we strongly recommend that you do not store, carry, or handle this, or any other firearm with a cartridge in the barrel until you are ready to shoot. A cartridge from the Magazine supply can be placed in the barrel, ready to shoot, in about the same length of time as required to move the Safety Slide from the "Safe" (S) position to the "Fire" position. **Standard magazine capacity is 8 cartridges, extended magazine is 10 cartridges..**

We provide reasonable care in the manufacture of this pistol, but assume no responsibility for its care, handling, and use.

BE CAREFUL!



MODEL CF 380 A.C.P. COMP

- 4" Barrel
- Polymer Frame
- Lifetime Warranty
- Last Round Hold Open
- Magazine Lock-out Safety
- 1911 Style Magazine Release
- 8 Shot Standard Magazine
- 10 Shot Drop-free Extended Magazine
- Compensator (Accessory Attachable)
- Adjustable 3 Dot Low Profile Sights
- Chamber Observation Port

ALL FIREARMS ARE DANGEROUS PLEASE BE CAREFUL

**** NO SAFETY DEVICE REPLACES COMMON SENSE. ****

We strongly advise that you familiarize yourself with all the mechanisms of this gun, or any gun, before putting any ammunition into it. *We also strongly advise that the yellow safety plug we provide be kept in the chamber during transportation or storage of this firearm. A new plug will be provided free of charge upon request.*

SAFETY DEVICES for Models C-9MM Comp. and CF 380 A.C.P. Comp.

Thumb Safety - Simple rotary design blocks sear movement when engaged.

Magazine Lock-out Safety - When magazine is removed this mechanism blocks trigger linkage.

Last Round Hold Open - Slide locks open after last shot. To release slide, remove magazine or insert loaded magazine, then point in a safe direction, pull slide back with your free hand and release.

Chamber Observation Port - Allows operator to observe chamber cavity without opening slide.

Passive Internal Drop Safeties -

Sear block - a spring loaded plate that falls under the sear pin arm when pistol is dropped on its rear.

Counter weight - a weight that counter acts sear movement when pistol is dropped on its handle.

PARTS LIST FOR MODEL C-9MM OR CF 380 A.C.P. COMP

- | | | |
|-----------------------|------------------------------------|-------------------------------|
| 1. Ejection Pin | 17. Grip Screw (2) | 29. Adjustable Sight Spring |
| 2. Ejection Key | 18. Grip (2) | 30. Adjustment Tool |
| 3. Ejection Spring | 19. Magazine Catch Assembly | 31. Compensator |
| 4. Slide | 20. 8 Shot Magazine Assembly | 32. Compensator Screw |
| 5. Firing Pin | 21. Sear Block Spring | 33. Compensator Nut |
| 6. Firing Pin Spring | 22. Sear Block | 34. Hold Open Pin |
| 7. Slide Retainer | 23. Counter Weight Pivot Pin | 35. Hold Open Spring |
| 8. Slide Retainer Pin | 24. Counter Weight | 36. Hold Open Spring |
| 9. Sear Spring | 25. Magazine Catch Spring | 37. Magazine Lockout Spring |
| 10. Sear Cam | 26. Adjustable Rear Sight Assembly | 38. Magazine Lockout Spring |
| 11. Sear Assembly | 27. Elevation Screw | 39. 10 Shot Magazine Assembly |
| 12. Safety | 28. Sight Pivot Screw | 40. Compensator Allen Key |
| 13. Frame | | |
| 14. Recoil Spring | | |
| 15. Trigger Pin | | |
| 16. Trigger Assembly | | |

To order extra magazine send money order per magazine to:
Beemiller Inc., 1015 Springmill Road, Mansfield, OH 44906

8 Shot Magazine \$15.00 (includes shipping & handling)
 10 Shot Magazine \$18.00 (includes shipping & handling)

Visa and Mastercard accepted

Prices available upon request.

Changes in design may occur from time to time.

Always specify the serial number of your pistol with your inquiry.

Care and Use/Maintenance

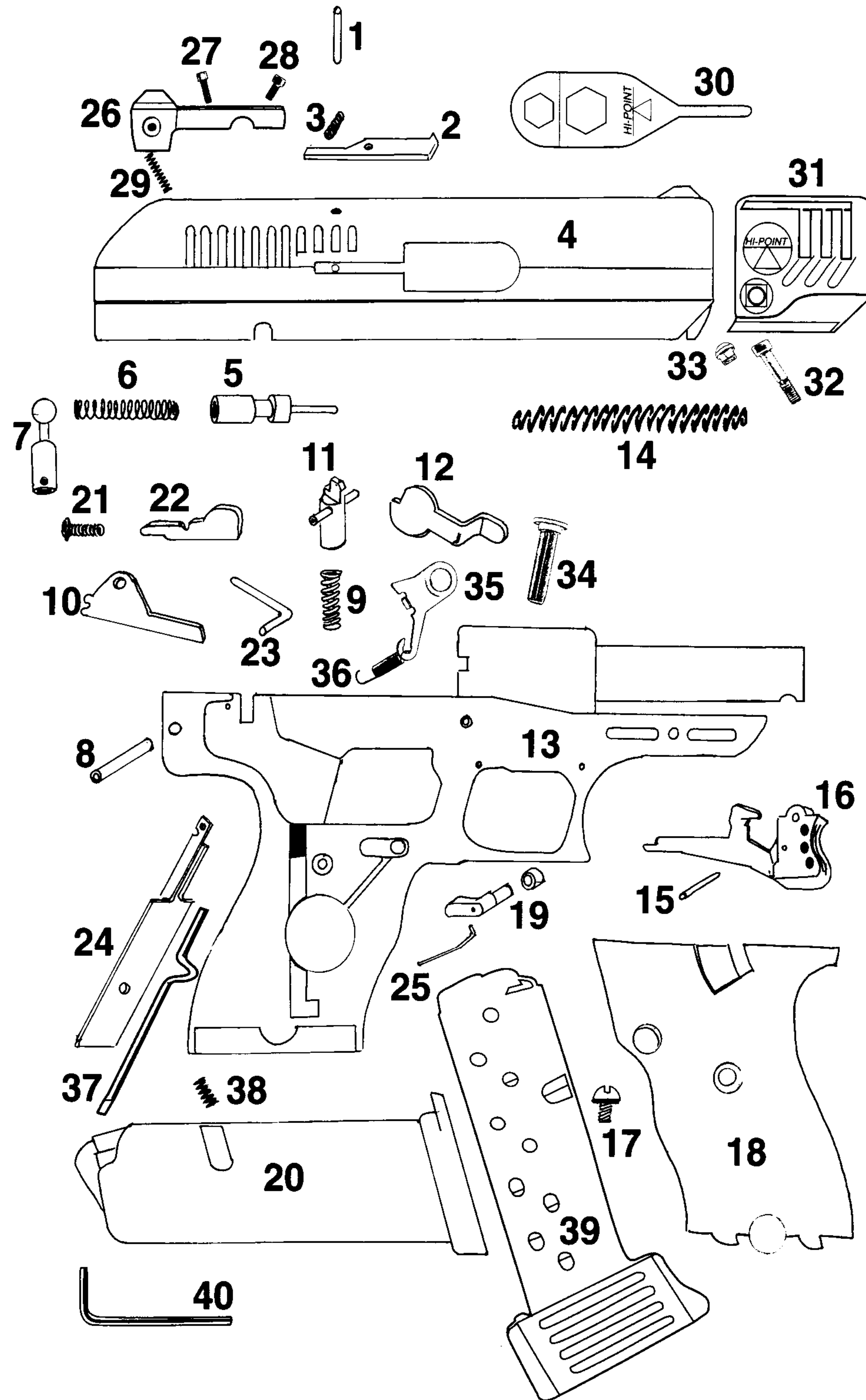
Slide can be locked open by moving slide to rearmost position and at this time pushing safety lever up into the notch in the slide. Breech, chamber, and barrel inspection and cleaning is easily performed in this position. Barrel should be brushed every 300 - 400 rounds. Complete disassembly and cleaning should be performed at 1500 - 2000 rounds.

DISASSEMBLY

Pistol must be unloaded to perform disassembly. Remove compensator then move slide to rearmost position, exposing slide retainer pin. Using a 1/8" pin punch, remove retainer pin from frame. Lift slide up until it stops. Hold rear of slide up and push forward; this removes slide assembly from frame. Reassemble by reversing disassembly procedure.

Compensator may need to be re-tightened after use. Do not overtighten.

Compensated pistols are louder and more likely to deflect gases and debris back onto the shooter; so it is **IMPERATIVE** that ear protection and eye protection are worn with the C-9MM or CF 380 A.C.P. Comp pistol.



Safety/Slide Lock is located at top of left grip. Sliding safety lever upward, into notch engages safety, exposes letter (S) on grip and places pistol in "SAFE" position.

Sliding safety lever down, out of notch, places pistol in "Firing" position.

Safety is engaged **only** when lever is up in the notch, when lever is out of notch, pistol is in "Firing" position.

LOADING THE PISTOL: After loading your Magazine, insert it into the bottom of the handle and push it into the pistol as far as possible. When fully inserted, the Magazine Catch will hook the Magazine and hold it in its proper position. Take the pistol in one hand with a firm grip, making sure your fingers are not touching the trigger. Point Your Pistol in a Safe Direction and with your other hand firmly grasp the serrated portion of the Slide and pull it as far rearward as it will go. **RELEASE THE SLIDE FROM ITS REARMOST POSITION ALLOWING IT TO GO FORWARD ON ITS OWN ACCORD.** This procedure places the first cartridge into the chamber and the gun is ready for firing. Subsequent feeding and ejection operations are performed automatically until the last round is fired. At this time the slide will lock open. To disengage the Hold Open - remove empty magazine, then grasp slide at serrated portion and pull backward until you hear an audible click. Releasing the slide will return it to the closed position.

CAUTION: UNLOAD YOUR PISTOL IF YOU DO NOT INTEND TO SHOOT IMMEDIATELY!

UNLOADING WITHOUT FIRING: Always point your pistol in a safe direction before attempting to unload it. To unload unfired cartridges, move the Magazine Catch inward until the Magazine can be pulled from the pistol. **AFTER THE MAGAZINE IS REMOVED, PULL THE SLIDE TO THE REAR TO REMOVE THE CARTRIDGE FROM THE BARREL CHAMBER.** As a safety precaution, always check the Barrel chamber visually by holding the Slide back and looking into the Slide, Chamber, and Magazine cavities.

**ALL FIREARMS ARE DANGEROUS
PLEASE BE CAREFUL**

CAUTIONS:

ALWAYS handle your pistol as if it were loaded, so that you never fire it accidentally when you think it is unloaded.

NEVER point your pistol at anything you do not intend to shoot so if it fires accidentally, injury, death, or damage to property will be prevented.

NEVER take anyone's word that a gun is unloaded; check for yourself with fingers off the trigger and gun pointed in a safe direction, so that you never fire the gun accidentally when you think it is unloaded.

ALWAYS be sure barrel and action are clear of obstructions. Clean a fouled pistol immediately so that it will function correctly and safely.

NEVER squeeze the trigger or put your finger in the trigger guard until you are aiming at a target and ready to shoot. This will prevent you firing the pistol when it is pointing in an unsafe direction.

NEVER put your finger on the trigger while cocking. (See loading the pistol)

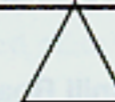
ALWAYS be absolutely sure of your target and the area behind it before you squeeze the trigger. A bullet could travel through or past your target up to 1-1/2 miles ... if in doubt, don't shoot.

NEVER leave a loaded pistol unattended. Someone, especially a child, may fire it and cause injury, death, or damage to property.

NEVER use your pistol if it fails to function properly, and never force a jammed action, as a round may explode causing serious injury, possible death, or severe damage to your pistol.

HI-POINT FIREARMS

MODEL C-9MM or CF 380 A.C.P. Comp



1015 Springmill Road • Mansfield, Ohio 44906
(419) 747-9444