
MP95E

(ATLANTA SERIES)

By

 Benelli



EUROPEAN AMERICAN ARMORY CORP.

3855 North U.S. Highway 1 • Cocoa, Florida 32927

(407) 639-4842



EUROPEAN AMERICAN ARMORY CORP.

3855 North U.S. Highway 1 • Cocoa, Florida 32927

Phone: (407) 639-4842

MP95E

READ THIS MANUAL FOR BENELLI MP95E BEFORE HANDLING YOUR FIREARM

The MP95E is a semi-automatic target/competition pistol combining a powerful cartridge, 10 round magazine capacity, excellent design, anatomical grip, weight compartment under the barrel and special features for accurate shooting.

CALIBERS: .22 LONG RIFLE, .32 S&W L WAD CUTTER
FINISHES: BLUE OR CHROME

FOR YOUR SAFETY AND THE SAFETY OF OTHERS,

this owner's manual contains important warnings and safety procedures which must be understood BEFORE using this firearm. Read the entire manual and if you do not understand any part it or the operation of your pistol, stop and seek professional firearms instructions. You can get a copy of this manual from European American Armory Corp. on request.

Record the serial number of your firearm # _____

and a description of it: _____

Make a copy of this manual, proof of purchase/sales record for safekeeping in a secure safe or fireproof container. Such proof is necessary if the firearm is stolen or for warranty repair.

Specifications of the Benelli MP95E Target Pistol

Trigger - Single Action Height - 5.2 inches Length - 11.8 inches
Caliber - 22LR, 22 SHORT, 32 WC Width - 1.7 inches Weight - 35 ounces
Barrel - 4.33 inches Magazine Capacity - 9 (Rimfires), 5 (.32 S&W LC)

WARNING

****YOU RISK INJURY OR DEATH BY HANDLING THIS FIREARM****

BEFORE HANDLING THIS FIREARM, READ, UNDERSTAND AND FOLLOW THE INSTRUCTIONS IN THIS MANUAL. ALWAYS KEEP THIS MANUAL WITH THE FIREARM. IF YOU LEND, GIVE OR SELL THIS FIREARM, BE SURE THE MANUAL GOES WITH IT. IF THERE IS ANYTHING YOU DO NOT UNDERSTAND, SEEK ADVICE FROM SOMEONE QUALIFIED IN SAFE HANDLING OF FIREARMS.

THIS FIREARM IS DESIGNED ONLY FOR TARGET OR COMPETITION AND SHOULD ALWAYS BE TRANSPORTED UNLOADED IN ITS CASE. DO NOT USE THIS FIREARM FOR CARRY, DUTY OR DEFENSIVE PURPOSES.

TYPE OF AMMUNITION TO BE USED

It is suggested that high quality commercially manufactured ammunition be used in this firearm. Other types of ammunition may have feeding or extraction problems. Some factory ammunition works better than others and you should stick with that brand you find works well in your semiautomatic pistol. Avoid military surplus or hot loaded ammo. The use of reloaded, +P, high pressure or hand loaded ammunition will void the warranty. *The .22 L.R. pistol requires .22 L.R. high velocity ammunition to function correctly.

NOTICE

PISTOLS ARE CLASSIFIED AS FIREARMS OR DANGEROUS WEAPONS and are sold by European American Armory Corporation with the specific understanding that we are not responsible in any manner what-so-ever for their safe handling or resale under local laws and regulations.

European American Armory shall not be responsible in any manner whatsoever for malfunctioning of the firearm, for physical injury or for property damage resulting in whole or in part from (1) intentional or negligent discharge, (2) improper or careless handling, (3) unauthorized modifications, (4) defective, improper, hand-loaded, or reloaded ammunition, (5) corrosion and/or lack of proper maintenance (6) neglect, or (7) other influences beyond our direct and immediate control. This limitation applies regardless of whether liability is asserted on the basis of contract, negligence or strict liability (including any failure to warn). Under no circumstance shall European American Armory Corporation be liable for incidental or consequential damages, such as loss of use of property, commercial loss and loss of earnings or profits.

SAFETY PROCEDURES

1. We recommend that you get competent firearms instruction in safe handling before using this firearm. Please ask your dealer. All guns are extremely dangerous if carelessly handled or used. Remember that the gun user is the primary "safety" and to depend on any mechanical devices is to be only half safe.
2. **EVEN WITH THE MAGAZINE REMOVED, THIS FIREARM WILL STILL FIRE IF A ROUND (LIVE BULLET) IS IN THE CHAMBER AND THE TRIGGER IS PULLED.**
3. **DO NOT LOAD THIS PISTOL UNTIL YOU UNDERSTAND THE SAFETY AND HOW THIS PISTOL OPERATES.** This Benelli MP95E has a ambidextrous safety lever which blocks the hammer when engaged (safety lever is rotated forward). To fire, rotate the safety lever to the back position. KEEP this pistol "on safe" with the safety lever turned forward or toward the barrel at all times, except at the actual moment of firing, to help protect against accidental firing and possible injury or death of yourself or others.
4. **NEVER** carry this pistol with a cartridge loaded in the chamber. Remember it will still fire with no magazine in the firearm. (See Loading Instructions). Load only the magazine. We recommend that you keep the Safety Lever in the safe position and always make sure the chamber is unloaded until you are ready to fire.
5. **NEVER** point this pistol at anything that is not your intended target even if this pistol is unloaded. When loading, cleaning, unloading or handling, always be sure the muzzle is pointed in a safe direction and always keep your fingers off the trigger.

6. **NEVER** assume any gun is unloaded. Before handling this pistol, remove the magazine and retract the bolt assembly to check for any ammo in the firing chamber. See Unloading Instructions and then unload any ammunition. Make sure you know that this or any pistol is fully unloaded before handling or displaying it. When handling any firearm, keep your fingers away from the trigger at all times until you intend to fire the weapon.
7. **WARNING:** The actual firearm does not contain any lead; however, it does fire ammunition containing lead or lead compounds known to the State of California to cause cancer, birth defects and/or reproductive toxicity. Those who discharge a firearm, stand near someone who discharges a firearm or cleans firearms are hereby warned of the hazards and dangers presented by lead and lead compounds and should take protective health measures.

A M M U N I T I O N W A R N I N G

Old, Hot-loaded and/or re-loaded ammunition may be dangerous. Because of the poor or nonexistent quality control standards among some companies or people who make reloaded ammunition and the dangers of overloads and underloads (squib loads) which may occur, we recommend that only good quality new factory ammunition be fired in our firearms. [If you prepare your own handloads, do NOT exceed recommended pressures in line with those generated by standard factory loads as manufactured by Remington, Winchester, Federal, PMC or other reputable companies.] Do NOT use +P Ammo or High Velocity High Pressure Ammunition (factory or handloaded). Old ammunition may not fire with sufficient force to expel the projectile from the barrel.

WARNINGS -- READING THESE SAFETY RULES WILL SAVE YOUR LIFE OR THE LIFE OF SOMEONE ELSE

Get instructions from a competent firearms instructor before using this or any firearm. Learn from a professional how to handle, load, unload, operate, fire and care for your gun.

NEVER PLAY with your firearm. It is not a toy but a very dangerous weapon that can cause serious personal injury or death.

Always keep the gun pointed in a safe direction. Treat every gun as if it is loaded...all the time. **NEVER** point any firearm (loaded or unloaded) at any person or anything you do not intend to shoot. Always keep your gun unloaded until ready to use and make sure that it is unloaded before cleaning.

Keep your finger **OFF** the trigger until you are actually aiming at the target and ready to shoot.

Never rely on a gun's "safety" to protect you from unsafe gun handling. A safety is only a mechanical device, not a substitute for common sense and gun safety procedures.

Never leave a gun unattended or where it could fall and fire.

Store guns and ammunition separately beyond the reach of children. Make sure that they are properly secured so untrained individuals and children will be denied access to your guns and ammo.

Test your gun's operation and safeties **ONLY** at a shooting range while the firearm is pointed in a safe direction.

WARNINGS -- READING THESE SAFETY RULES WILL SAVE YOUR LIFE OR THE LIFE OF SOMEONE ELSE

Know your target and what is beyond. Ask yourself what your bullet will hit if it misses the target or passes through the intended target. Remember, a fired bullet can travel over a mile (including a ricochet) and is capable of going through walls.

Guns and alcohol or drugs do not mix. Don't take any alcoholic beverages and/or drugs before or during shooting activities.

Never pull a gun toward you by the muzzle. Don't climb a tree, cross a ditch or fence with a loaded gun.

Always empty guns before entering a house, car, truck, boat, RV, camp or any building.

When receiving a gun, always open the action and check to make sure it is unloaded.

NEVER accept anyone's word that a gun is "unloaded" or "empty". You should immediately open the action and check to make sure it is unloaded.

Be careful with ALL ammunition. Even "blank" cartridges are deadly at close range due to the muzzle blast. Make sure your ammunition is in new and in good clean condition. Do **NOT** oil or grease ammo as this may damage the cartridge primer. Do **NOT** tamper with or alter the standard factory ammunition.

Keep firearms unloaded when not actually in use. Load the gun only when on the range preparing to fire and unload it before leaving the range.

Never put your hand over the muzzle of a gun.

ALWAYS WEAR protective shooting glasses and hearing protection when using firearms.

Spectators should be at least 10 feet behind and away from the shooter while the shooter is loading, shooting and unloading. Spectators should wear protection for hearing and sight loss and they should avoid distracting those firing their weapons.

Never carry a handgun in your pocket, purse or tucked in a belt or waistband. Use a pistol case or a proper holster with safety flap or strap.

Never drop your gun. If you do drop it, unload it and check it for proper function before using it again.

Don't alter or modify your gun. Don't try to change your gun's trigger pull, because it may affect sear engagement and thereby cause accidental firing.

Do not remove any internal safety or safety device on the firearm. Safety mechanisms are designed to protect you from injury or death.

Do maintain and keep your gun clean. Keep in a dry place away from other metals and water. If your gun shows sign of corrosion or improper operation, have it serviced by a competent gunsmith.

Keep the muzzle pointed in a safe direction when loading and unloading your gun. Never point the muzzle at anyone.

Never shoot at hard flat surfaces or water....bullets ricochet.

WARNING -- READING THESE SAFETY RULES WILL SAVE YOUR LIFE OR THE LIFE OF SOMEONE ELSE

If a gun fails to fire when the trigger is pulled, keep it pointed down range at the target for 30 seconds. Sometimes slow primer ignition will cause a "hang fire" and the cartridge will go off after a short pause. If it still fails to fire, keep muzzle pointed in safe direction and avoid exposure to the breech, as you attempt to unload your firearm.

When loading a semi-automatic pistol, make sure that the muzzle is pointed in a safe direction and you are not exposed to the breech and the bolt assembly's ejector port or top opening as you release the bolt to travel forward.

Never let water, snow, mud or other material enter the barrel.
Always be sure the barrel is free of any obstruction.

Since many ammunition identifications sound similar, be sure that you use only the correct ammunition for your gun. Do **NOT** use the wrong size or wrong strength ammunition in your firearm.

Repeated and prolonged exposure to gunfire may result in toxic levels of lead in your body. In addition, there are risks of cancer, impotency and birth defects. When shooting indoors, make sure there is proper ventilation.

Teach children: 1. **NOT** to touch guns, bullets, cartridges, shells or any explosive device and 2. If they discover such a dangerous item or weapon, they must immediately report its location to their parents, school teacher and police.

Remember a firearm has the capability of taking your life or the life of someone else. Be careful with your firearm -- an accident is almost always the result of not following basic safety rules.

HOME SAFETY IS PROBABLY YOUR BIGGEST CONCERN. We suggest the following gun lock: Master Gun Lock. It works on most Firearms and is available in gun shops and sporting goods departments. For more information write: Master Gun Locks; Master Lock Company, P.O. Box 10367, Milwaukee, WI. 53210. After all you have invested this much in your new gun, now invest a little more in your family's safety.

USED FIREARMS - If you got your European American Armory firearm as a used gun, **BEFORE USING IT** you should unload it and check all its functions to be sure it works correctly. Firearms are some times altered to work incorrectly, or parts may be removed, lost or replaced with incorrect parts. First, unload it and check it yourself and then take it to a good gunsmith who knows European American Armory Benelli firearms, and have him examine it.

WRITE US concerning any items or circumstances which you don't understand and which might relate to your safety and the operation of your firearm.

WARNING

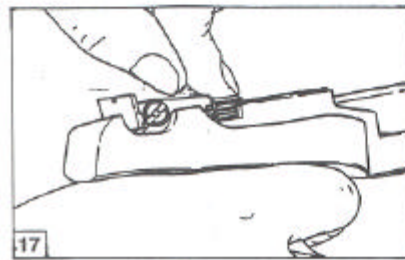
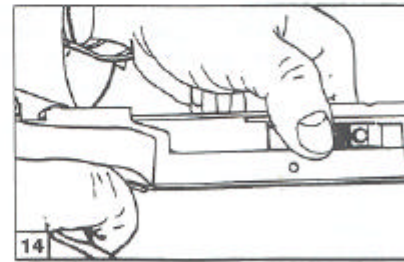
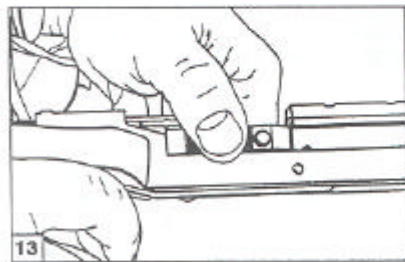
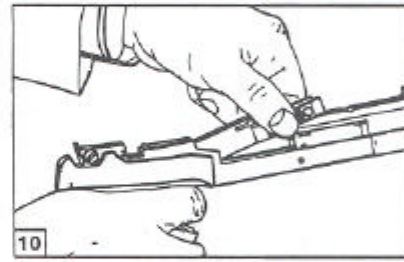
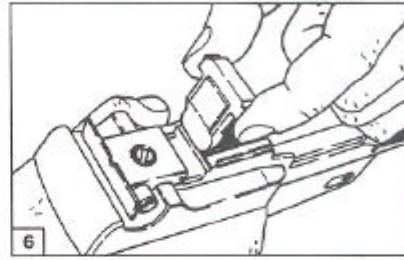
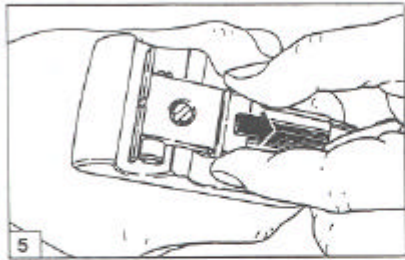
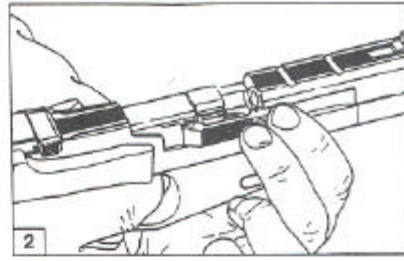
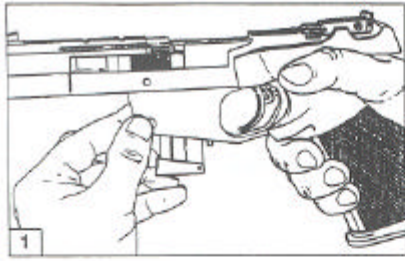
ANY BORE OBSTRUCTION, EVEN IF IT IS ONLY PARTLY BLOCKED, MAY CAUSE THE GUN TO BLOW UP IF IT IS FIRED, OR MAY CAUSE DAMAGE TO THE GUN SUCH AS A BULGED BARREL. TO AVOID INJURY OR DEATH TO THE SHOOTER OR BYSTANDERS, CHECK THE BARREL BEFORE SHOOTING OR IF A SHOT DOES NOT SOUND NORMAL.

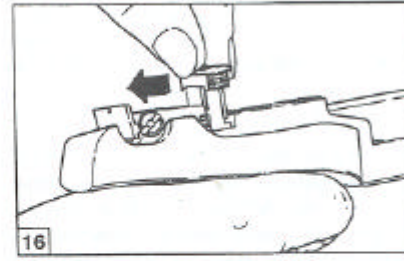
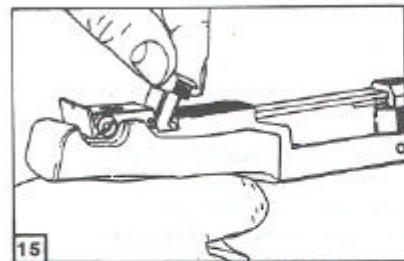
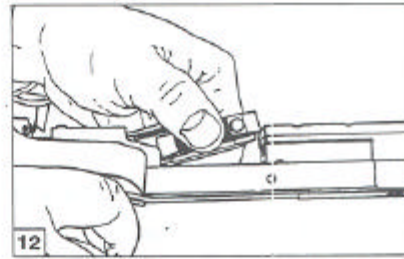
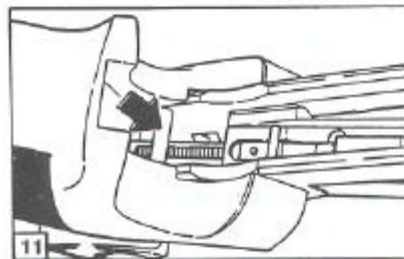
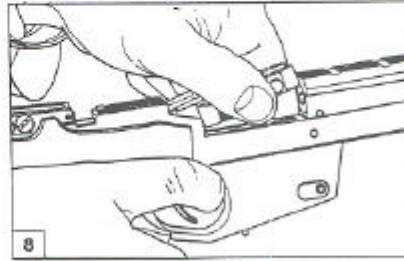
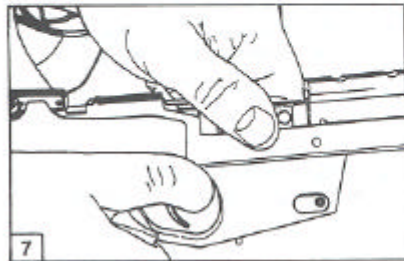
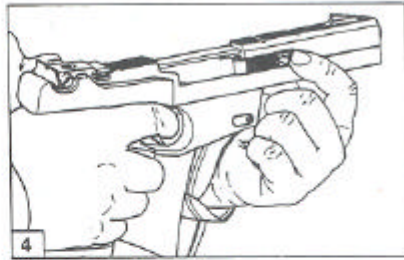
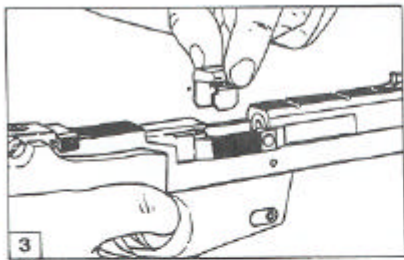
LOADING INSTRUCTIONS

1. Always use original high quality commercially manufactured ammunition in good condition. Hollow point ammo can sometimes cause feeding problems in semi-automatic pistols. If you find one brand that works well, stick with it. Avoid the use of military surplus, re-loaded, or hot loaded ammo. European American Armory Corp. assumes no responsibility for incidents which occur through the use of cartridges of non-standard dimension or those developing excessive pressures.
2. Before loading be sure the pistol is fully unloaded (See Unloading Instructions) and the Safety Lever is ON or forward.
3. Depress the magazine release button on the left side just forward of the magazine and remove the magazine.
4. Load the magazine with cartridges by pushing the cartridge down and sliding it rearward with your thumb.
5. Insert the magazine in the receiver until the magazine catch secures it in the receiver with a click. Avoid slamming the magazine into the pistol. Handle the magazine carefully when loading. Any damage by dropping may bend the magazine lips which can cause misfeeding.
6. To load the chamber, first be sure your fingers are out of the trigger guard, the gun is pointed in a safe direction and you are wearing eye & hearing protection. Holding the pistol grip, grasp the serrations on the guide lugs of the bolt assembly with your other hand and pull the bolt assembly until it cannot travel any further. Release the bolt and allow it to go forward into the closed position. As the bolt assembly travels forward, it will automatically strip a cartridge from the magazine lips and insert it into the firing chamber.
WARNING Face away as bolt closes and never force the bolt assembly closed.
WARNING Your pistol is now loaded and ready to fire.
IMMEDIATELY MAKE SURE THE AMBIDEXTROUS SAFETY LEVER IS TURNED FORWARD. At the bottom of the trigger guard behind the magazine is a hammer cock indicator pin. When this pin is down, the firearm is cocked and ready to fire. When the pin is up, flush with the trigger guard, the hammer is not cocked.
7. **IF YOU DO NOT WISH TO FIRE THE PISTOL AFTER LOADING, UNLOAD IT IMMEDIATELY.** See Unloading Instructions. **NEVER CARRY, HANDLE, OR CLEAN THIS PISTOL WITH A LOADED CARTRIDGE IN THE CHAMBER. EVEN WITH THE MAGAZINE REMOVED, THIS FIREARM WILL STILL FIRE IF A ROUND IS IN THE CHAMBER AND THE TRIGGER IS PULLED.**

WARNING

Always keep the muzzle pointed in a safe direction! Never attempt to load or unload any firearm inside a vehicle, building or other confined space (except a properly constructed shooting range). Enclosed areas frequently offer no completely safe direction in which to point the firearm. If an accidental discharge occurs, there is great risk of injury or property damage. Before loading, always clean all, grease and oil from the bore and chamber, and check to be certain that no obstruction is in the barrel. Any foreign matter in the barrel could result in a bulged or burst barrel or other damage to the firearm and could cause serious injury to the shooter or to others.





REAR SIGHT ADJUSTMENT

Turn the windage sight adjustment screw clockwise (this screw is located on the right hand side of the rear sight), the rear sight blade will move to the right. Turn the windage sight adjustment screw counter clockwise, the rear sight blade will move to the left. Turn the elevation sight screw clockwise (this screw is located on top of the rear sight), the rear blade will move down, turn the elevation sight screw counter clockwise the rear blade will move up.

UNLOADING INSTRUCTIONS

1. **ALWAYS** keep your firearm pointed in a **SAFE DIRECTION**.
2. **BE SURE THE SAFETY LEVER IS ON SAFE** or pointed forward.
3. Press the magazine release button or catch and remove the magazine from the pistol. Removal alone of the magazine does **NOT** prevent this pistol from firing. If a bullet or round is in the firing chamber, that round can still be fired.
4. Unload the firing chamber by keeping the pistol pointed in a safe direction, keep your finger(s) outside of the trigger guard and off the trigger.
5. Pull the bolt assembly (gripping the serrations) to the rear so that the extractor can pull out any cartridge in the chamber. Visually check to be sure that the chamber is completely empty and the cartridge has completely exited the firearm. The barrel may be checked by passing a cleaning rod through it.

WARNING

When you remove the magazine always double check the chamber to insure you have completely unloaded this firearm. Since the trigger will operate without a magazine inserted, make sure that the safety lever is **ON SAFE** or turned forward.

FIRING INSTRUCTIONS

1. Before firing, check to be sure you have a safe target and backstop. Never shoot at hard flat surfaces, rocks, water or anything that might make the bullet ricochet. Think about what you will hit if you miss the target. Put on your eye and hearing protection.
2. Load the magazine and chamber as discussed in the Loading Instructions. Keep the gun pointed toward the target.
3. Push backward the Safety Lever into the **FIRE** position only when you are ready to fire.
4. Grasp the pistol by the grip and keep it forward away from the body. Never place your hand in front of the barrel at any time. Take aim by placing the front sight post exactly between the two rear sight posts and they are horizontally in line. Carefully align the front sight and rear sight so that the top surfaces mate at the lower or 6 o'clock position of the black portion of the target. Squeeze the trigger and the gun will fire. After the first shot, the hammer will automatically cock for successive firing and will be indicated by the hammer indicator pin below the trigger guard. A gentle squeeze of the trigger is all that is necessary for successive firing and is best for accuracy.
5. The pistol will fire one shot with every squeeze of the trigger until the magazine is empty. When the guns stops firing, take your finger off the trigger and rotate the Safety Lever forward to the **SAFE** position. Remove the magazine and reload it. Insert the loaded magazine into the receiver until you hear it click. See Loading Instructions. Then grasping the serrations of the bolt assembly, pull back the bolt and let it go. The bolt will close and automatically reload the chamber. When ready to fire, move the safety lever backward or **OFF** and the pistol is ready to fire. If you want to stop firing, immediately turn the ambidextrous safety lever forward in order to put the pistol on safe. Unload the firearm as stated in Unloading Instructions.

WARNING

If there is any reason to suspect that a bullet or projectile is obstructing the barrel, immediately unload the firearm (See Unloading Instructions) and check the firing chamber and the bore. It is not sufficient to merely retract the bolt and look at the rear of the barrel (firing chamber). A bullet may be lodged some distance down the barrel where it can not easily be seen. Check the bore by using a cleaning rod to pass through the barrel. If a bullet is in the bore, **DO NOT**

ATTEMPT TO SHOOT IT OUT WITH ANOTHER CARTRIDGE, OR BLOW IT OUT WITH A BLANK CARTRIDGE OR A CARTRIDGE FROM WHICH THE BULLET HAS BEEN REMOVED. SUCH TECHNIQUE(S) CAN GENERATE EXCESSIVE PRESSURE, DAMAGE THE FIREARM AND CAUSE SERIOUS PERSONAL INJURY. If the bullet can be removed with a cleaning rod, clean any unburned powder grains from the bore, chamber & mechanism before resuming shooting. If the bullet can not be dislodged by tapping it with a cleaning rod, take the firearm to a gunsmith.

WARNING (Mechanical Malfunctions)

STOP SHOOTING IMMEDIATELY AND UNLOAD YOUR FIREARM if your firearm develops: a mechanical malfunction; binding or stoppage; spitting powder/gas; a cartridge primer is punctured; a cartridge case is bulged or ruptured; or the sound on firing does not sound quite right. Do NOT try one more shot but unload your firearm and take it and the ammunition to a gunsmith for examination. Do not assume that the pistol is empty merely because the bolt remains open. An unfired cartridge or a fired cartridge case jammed between the bolt and the barrel can prevent the bolt from closing. Always look in the chamber to make sure! Should a jam occur, clear it as follows: 1. point the muzzle in a safe direction, engage the safety and remove the magazine; 2. Pull back the bolt and lock it to the rear by pushing the bolt stop pin or button and 3. remove the jammed cartridge or case by shaking the pistol or picking it out with your fingers.

DISASSEMBLY OR FIELD STRIPPING INSTRUCTIONS

1. Unload the pistol. (See the Unloading Instructions).
CAUTION: Simply removing the magazine, does NOT unload the chamber. If a cartridge is still in the chamber, the pistol can FIRE even with the magazine removed.
2. Make sure the bolt is in the forward position.
3. Grasp the bolt locking support and pull it slightly forward (Fig 5) and extract it completely from the pistol, pulling it upward (Fig 6).
4. Pull the bolt back until the guide lugs are free of the receiver's guide slots. (Fig 7) Rotate the guide lugs upward (Fig 8) and pull the bolt completely out of the firearm.(Fig 9).
5. Disassembly to this point is sufficient for normal maintenance of this pistol and any further disassembly should only be done by a qualified gunsmith.
6. **DO NOT** disassemble the pistol any further or attempt to modify the internal workings of this pistol. It is made of precision built components, assembled & tested to rigid specifications. Erroneous re-assembly, modification or alteration is extremely hazardous and dangerous and will void the repair warranty of European American Armory Corporation.

ASSEMBLING THE PISTOL

1. Grasp the guide lugs (serrations) and insert the rear portion of the bolt assembly into the receiver (Fig 13), making sure that the recoil spring slides under the guard fastening pin inside the receiver. (Fig 14)
2. Pull the bolt back by pushing on the guide lugs (Fig 15). Align the guide lugs with the receiver by rotating the bolt downwards (Fig 16) and insert the lugs completely into the slots. (Fig 17)
3. Take the bolt locking support and place it in its seat in the receiver. (Fig 18) Push it slightly backwards to align it properly in its seat (Fig 19) and while keeping it aligned, press all the way down until it snaps into its proper assembled position. (20)

CLEANING AND MAINTENANCE OF PISTOL

1. Materials needed to clean this pistol are a pistol cleaning rod, cotton bore patches, brass bore brush, powder solvent, a small soft brush and good quality gun oil.
2. Disassemble (field strip) the pistol as discussed in this instruction manual.

WARNING: Lead or lead compounds are known to the State of California to cause cancer, birth defects and/or reproductive toxicity. Those who clean firearms should take protective measures to avoid contact or exposure to such chemicals.

3. Using the bore brush with powder solvent scrub the barrel and chamber to remove any powder and lead residue in the bore. Secondly, swab the bore with cotton patches soaked in solvent. Always and lastly, swab with cotton patch with gun oil to coat and protect the bore from rust and corrosion.
4. Any powder fowling on the receiver or breech face of the bolt can be easily cleaned with a brush and powder solvent.
5. All external surfaces should be wiped down with light coat of rust preventative. Avoid using too much oil as dust and/or debris can get trapped in the oil creating a gum that in time will cause misfires.
6. **CAUTION** in using solvents in gun bore cleaning. Prolonged or excess contact with finish or bluing can damage the gun's finish. Be sure to wipe away all excess solvent and then lubricate with oil.
7. A gun should be cleaned after firing. In addition, external parts should be wiped with an oiled cloth after handling. A light oil is ordinarily all that is necessary in cleaning if the gun has not been fired or fired very little. If a gun is used frequently, it must be cleaned after each firing and regularly serviced by a professional gunsmith. If the gun has been stored, remove all excess oil and/or grease before firing. Always check to be sure that no cleaning patch or other obstruction remains in the bore or chamber before firing.

NOTE

If your bolt seems to act sluggish or is moving slowly, then stop shooting and clean the gun mechanism and the barrel. The MP95 functions at peak level with regular maintenance. See manual for cleaning instructions.

SCOPE MOUNTS

The top scope mount rail that is cut into the receiver is for any 11mm or 3/8" scope mounting system. There are off the shelf mounts from Tasco that fit the 11mm or 3/8" rail. For 30mm scopes we suggest the Tasco 782c mounts and for one inch scopes we suggest Tasco 797c mounts.

If you want a see thru mount, the Tasco number for a one inch scope mount is 799c.

If you want a high mount the Tasco number for a 30mm scope mount is wc4348n.

We suggest that you do not span the ejection port with your scope.

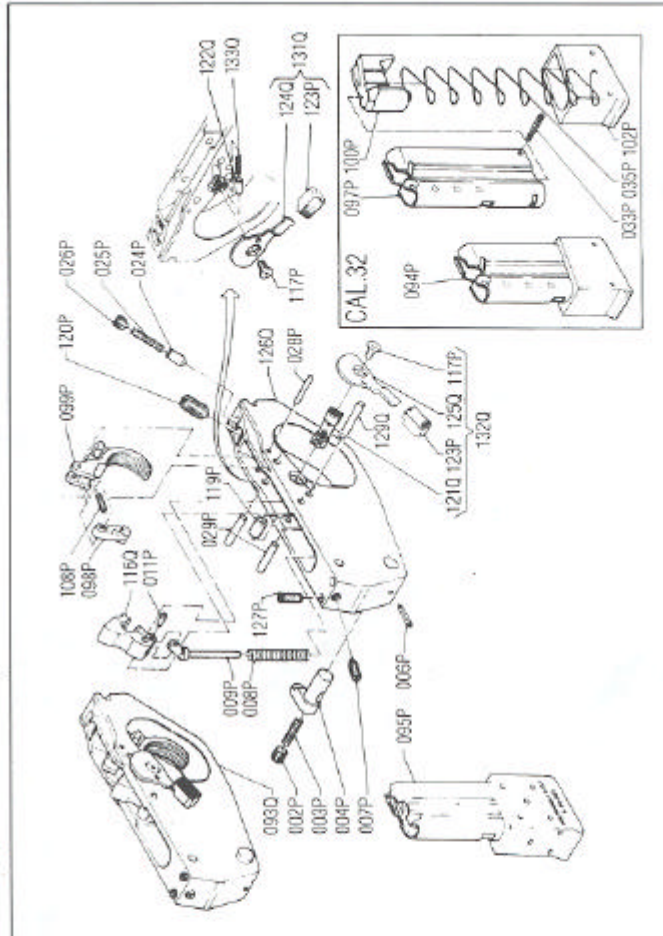
There are many other scope mounts manufactured that fit the 11mm or 3/8" top rail, see your local dealer for your options.

The lower rail on the forward portion of the receiver is designed for mounting a Tasco PDP4 scope.

When ordering spare parts, it is recommended to mention the following items: Code - Description - Part Numbers - Caliber - Finishing

Drawing 1

Code	Description	Code	Description
002P	Clip button grub	100P	Cartridge support
003P	Clip button spring	102P	Clip base
004P	Clip release button	108P	Return spring
006P	Button pin	117P	Screw
007P	Pin grub	119P	Spacer
008P	Hammer spring	120P	Pin grub
009P	Spring guide screw	123P	Button
011P	Guide pin	125Q	L.H. lever
024P	1st out adjustment pin	127P	Damper
025P	Pin spring	033Q	Trigger guard assembly
026P	Grub screw	116Q	Hammer
028P	Pin	121Q	Safety catch
029P	Pin	123Q	Pin spring
032P	Reaming pin	124Q	R.H. lever
035P	Clip spring	126Q	Trigger guard
044P	Clip	129Q	Pin
053P	Clip (9 rounds)	131Q	RH lever assy
097P	Clip body (9 rounds)	132Q	LH lever assy
038P	Disconnecter	133Q	Safety pin
059P	Trigger		



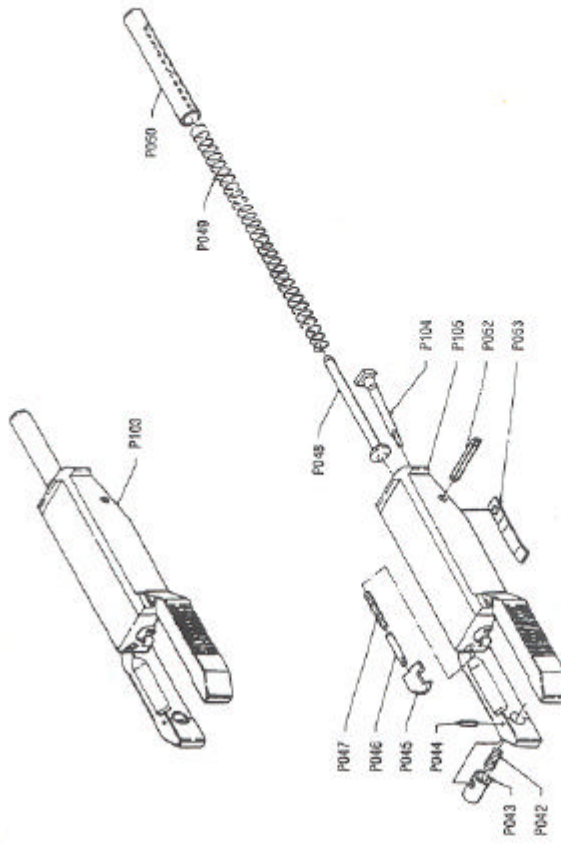
WARNING

Altering or modifying parts and/or safeties is dangerous and will void the warranty. This recoil operated semi-automatic pistol was manufactured to perform properly with the original parts as designed. It is your duty to make sure any parts you buy are made for this firearm and are installed correctly and that neither the replacements nor originals are altered or changed. Your gun is a complex precision tool with many parts that must relate correctly to other parts in order for proper and safe operation. Putting a gun together wrong or with incorrect or modified parts can result in a damaged gun, danger, and injury or death to you and others through malfunction. Always have a qualified gunsmith work on your gun or at least check any work not performed by a gunsmith.

When ordering spare parts, it is recommended to mention the following items: Code - Description - Part Numbers - Caliber - Finishing

Drawing 2

Code	Description	Code	Description
P002	Spring	P048	Return spring
P043	Bolt stop	P050	Return spring bush
P044	Stop pin	P052	Releasing plate pin
P045	Extractor	P053	Releasing plate
P046	Stop pin	P103	Bolt assembly
P047	Extractor spring	P104	Firing pin
P048	Spring guide pin	P105	Bolt



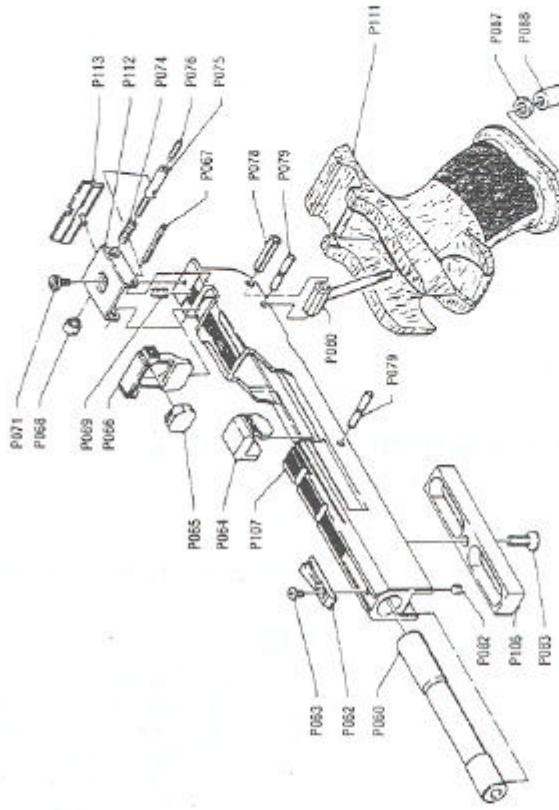
WARNING

Altering or modifying parts and/or safeties is dangerous and will void the warranty. This recoil operated semi-automatic pistol was manufactured to perform properly with the original parts as designed. It is your duty to make sure any parts you buy are made for this firearm and are installed correctly and that neither the replacements nor originals are altered or changed. Your gun is a complex precision tool with many parts that must relate correctly to other parts in order for proper and safe operation. Putting a gun together wrong or with incorrect or modified parts can result in a damaged gun, danger, and injury or death to you and others through malfunction. Always have a qualified gunsmith work on your gun or at least check any work not performed by a gunsmith.

When ordering spare parts, it is recommended to mention the following items: Code - Description - Part Numbers - Caliber - Finishing

Drawing 3

Code	Description	Code	Description
P060	Barrel	P100	Grip fastening pin
P062	Front sight	P102	Blind grub screw
P063	Sight fastening screw	P083	Flwing screw
P064	Blank (left spacer)	P087	Washer
P065	Blk recoil damper	P088	Fastening nut
P066	Blk locking support	P106	Weight support
P067	Fastening pin	P107	Blind
P068	Adjustment screw		
P069	Adjustment screw		
P071	Adjustment spring		
P074	Adjustment spring		
P075	Rear sight pin	P111	Grip
P076	Fastening grub screw	P112	Rear sight support
P078	Grip tu nut pin	P113	Rear sight (A type = 3,2 mm) (B type = 3,7 mm) (C type = 4,0 mm)
P079	Fastening pin		



WARNING

Altering or modifying parts and/or safeties is dangerous and will void the warranty. This recoil operated semi-automatic pistol was manufactured to perform properly with the original parts as designed. It is your duty to make sure any parts you buy are made for this firearm and are installed correctly and that neither the replacements nor originals are altered or changed. Your gun is a complex precision tool with many parts that must relate correctly to other parts in order for proper and safe operation. Putting a gun together wrong or with incorrect or modified parts can result in a damaged gun, danger, and injury or death to you and others through malfunction. Always have a qualified gunsmith work on your gun or at least check any work not performed by a gunsmith.