

**Model Auto Air II™ CO₂ BB/Pellet Pistol
OWNER'S MANUAL**



**READ ALL INSTRUCTIONS AND WARNINGS IN THIS
MANUAL BEFORE USING THIS AIRGUN.**

CONGRATULATIONS

And thank you for choosing Crosman AirGuns Model Auto Air II™ CO₂ BB/Pellet air pistol. The Auto Air II includes many up-to-date features which will mean easier handling, greater accuracy and more enjoyment for you.

- Convenience and consistency of Crosman CO₂ power—no pumping, just load and shoot!
- Automatic BB pistol—shoot as fast as you can pull the trigger.
- Average maximum velocities up to 480 FPS with a steel barrel for accuracy, shot after shot.
- Dual ammo (BBs or pellets)

To get the most enjoyment from your new airgun, please read this owner's manual completely. And remember, the Auto Air II is not a toy. Treat it with the same respect you would a firearm. Always carefully follow the safety instructions found in this owner's manual and keep this manual in a safe place for future use.

Thank you for choosing a Crosman airgun.

⚠ WARNING: NOT A TOY. ADULT SUPERVISION REQUIRED. MISUSE OR CARELESS USE MAY CAUSE SERIOUS INJURY OR DEATH. MAY BE DANGEROUS UP TO 250 YARDS (229 METERS).

READ ALL INSTRUCTIONS BEFORE USING.

BUYER AND USER HAVE THE DUTY TO OBEY ALL LAWS ABOUT THE USE AND OWNERSHIP OF THIS AIRGUN.

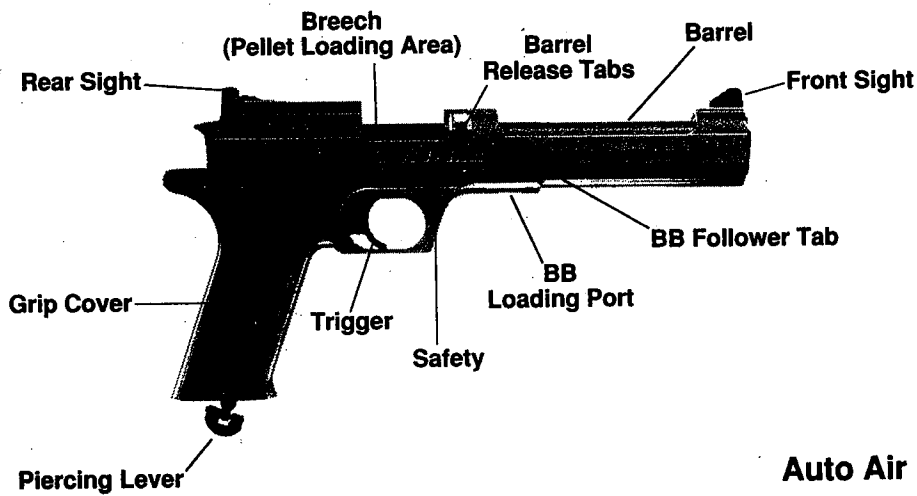
THIS AIRGUN IS INTENDED FOR USE BY THOSE 16 YEARS OF AGE OR OLDER.

STEPS FOR SAFE SHOOTING

	Page
Step 1. Learning the Parts of Your New Air Pistol	4
Step 2. Operating the Safety	5
Step 3. Removing and Installing CO ₂ Cylinder	6-7
Step 4. Loading and Unloading BBs	8-9
Step 5. Loading and Unloading Pellets	10-11
Step 6. Aiming and Firing Safely	11-12
Step 7. Removing a Jammed BB or Pellet	13
Step 8. Maintaining Your Air Pistol	14-15
Step 9. Reviewing Safety	16
Step 10. Using and Enjoying Your Air Pistol	17-18

Step 1. Learning the Parts of Your New Air Pistol

Learning the names of the parts of your new air pistol will help you to understand your Owner's Manual. Use this manual to increase your airgun enjoyment.



Auto Air II™

4

Step 2. Operating the Safety

A. To put the air pistol on safe, locate the safety directly in front of the trigger. Push the safety from the left side all the way in. (Fig. 1). The safety is not on unless it is pushed all the way in and the orange line around the safety is not showing. The air pistol will not fire when on safe.

B. Even when the safety is on safe you should continue to handle the air pistol safely. Don't point the gun at anything you don't intend to shoot.

C. To take the air pistol off safe, push the safety from the right side all the way in. When you can see the orange line around the safety, the pistol is off safe and will fire.

⚠ WARNING: KEEP THE AIR PISTOL ON SAFE UNTIL YOU ARE ACTUALLY READY TO SHOOT. THEN PUSH IT TO OFF SAFE.

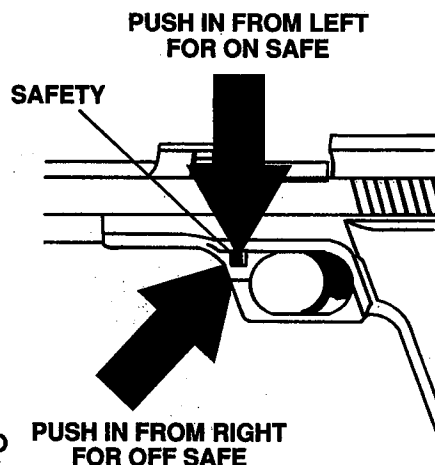


FIG. 1

**Step 3. Removing and Installing
CO₂ Cylinder**

⚠ CAUTION: KEEP HANDS AWAY FROM ESCAPING CO₂ GAS. IT CAN CAUSE FROSTBITE IF ALLOWED TO COME IN CONTACT WITH SKIN.

A. Removing CO₂ Cylinder

- Put pistol on safe. (See Step 2)
- With one hand hold the pistol by the frame. With the other hand turn the piercing lever counterclockwise until it stops turning. (Fig. 2)
- Remove the grip cover from the right side of the pistol lifting from the bottom edge.
- Remove the empty CO₂ cylinder by turning the pistol over and shaking it. The cartridge will fall into your hand.

B. Installing New CO₂ Cylinder

- Insert the new CO₂ cylinder into the pistol with the small neck of the cylinder pointing toward the piercing assembly. (Fig. 3)
- Snap the grip cover into place.
- With thumb and finger, turn piercing lever clockwise to pierce the CO₂ cylinder.

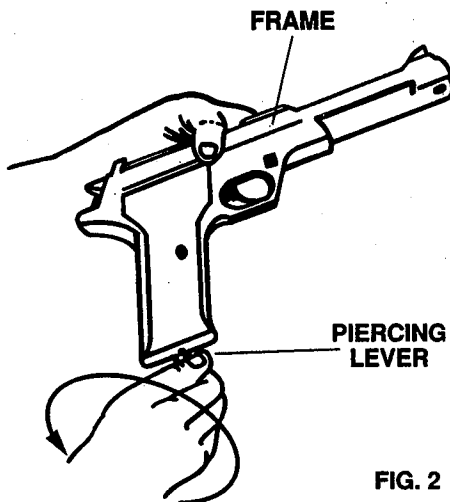


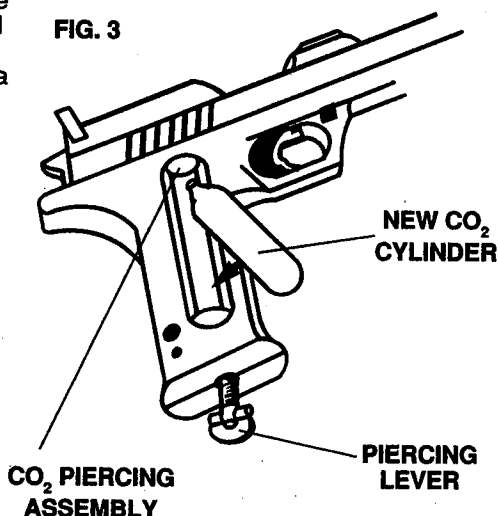
FIG. 2

- Point the pistol in a **SAFE DIRECTION**, take off safe and pull the trigger. If the pistol does not fire, tighten the piercing lever a little more and try to fire again. Repeat until the gun will fire.
- Do not overtighten the piercing lever or use a tool on it. This can damage your pistol.
- Return safety to the on safe position.

NOTE: We recommend the use of Crosman Copperhead® CO₂ Powerlets®. They are made to fit the Auto Air II. Other brands of CO₂ cylinders may not fit properly and if you force them into place it may result in injury to you or damage to your pistol. Never try to force any CO₂ cylinder into or out of place.

⚠ WARNING: CO CYLINDERS MAY EXPLODE AT TEMPERATURES ABOVE 120°F. DO NOT MUTILATE OR INCINERATE THEM. DO NOT EXPOSE THEM TO HEAT OR STORE THEM AT TEMPERATURES ABOVE 120°F.

FIG. 3



Step 4. Loading and Unloading BBs

⚠ CAUTION: USE BBs ONLY. NEVER REUSE BBs. USE OF ANY AMMUNITION OTHER THAN BBs CAN CAUSE INJURY TO YOU OR DAMAGE TO THE PISTOL.

A. Loading BBs

- Put the pistol on safe. (See Step 2)
- Push the BB follower tab forward and hook it in the slot. (Fig. 4)
- Point the pistol in a safe direction and turn it over. (Fig. 4)
- Load up to 17 BBs into the BB Loading Port. Pointing the barrel up slightly allows the BBs to roll into the loading port. (Fig. 4)
- Unhook the BB follower tab from the slot. It will hold the BBs in the magazine.

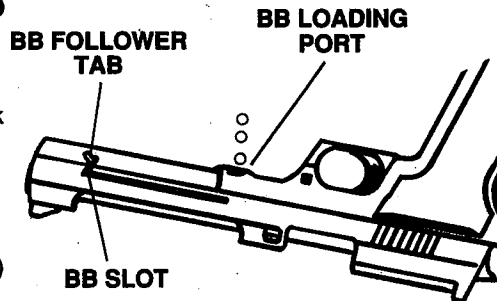


FIG. 4

8

⚠ WARNING: THE BB FOLLOWER TAB IS NOT A "LOAD INDICATOR" OR BB COUNTER. ALWAYS TREAT THE PISTOL AS THOUGH IT WERE LOADED. DON'T POINT AT ANYTHING YOU DON'T INTEND TO SHOOT.

B. Unloading BBs

NOTE: Airgun must be charged with CO₂ when following this procedure.

- Put the pistol on safe. (See Step 2)
- Push the BB follower tab forward and hook it in the slot.
- Point the barrel downward slightly and shake it. The BBs will drop out of the loading port. (Fig. 5)
- Unhook the BB follower tab from the slot.
- Point the pistol in a SAFE DIRECTION, take the pistol off safe and fire.
- Repeat this procedure several times until you are sure you are no longer firing BBs.

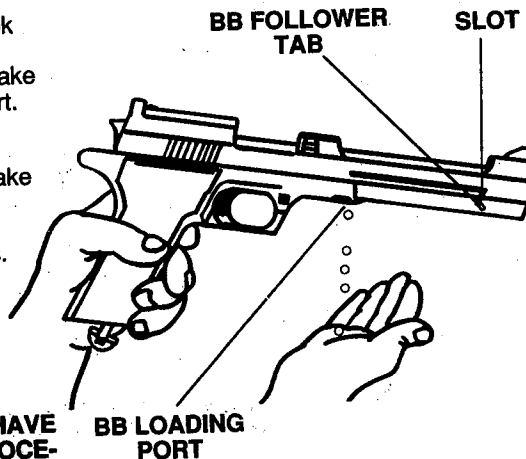


FIG. 5

⚠ WARNING: EVEN THOUGH YOU HAVE GONE THROUGH THIS UNLOADING PROCEDURE, CONTINUE TO TREAT THE GUN AS THOUGH IT WERE LOADED. DON'T POINT AT ANYTHING YOU DON'T INTEND TO SHOOT.

9

Step 5. Loading and Unloading Pellets

⚠ CAUTION: USE .177 CALIBER PELLETS ONLY. NEVER REUSE AMMUNITION. USE OF ANY OTHER AMMUNITION CAN CAUSE INJURY TO YOU OR DAMAGE TO THE AIR PISTOL.

A. Loading Pellets

- Unload all of the BBs from the pistol (See Step 4B). DO NOT load a pellet when BBs are loaded in the pistol. It may cause a jam.
- Put the pistol on safe. (See Step 2)
- Open the barrel by squeezing the barrel release tabs until the barrel pops open as shown in Fig. 6. DO NOT PULL THE BARREL UPWARD BEYOND THIS POINT. This could damage your airgun.
- The pistol will not fire when the barrel is in the open position.
- Insert a .177 pellet, nose first, into the barrel. (Fig. 6) To avoid jams, make sure the pellet skirt is flush with the back of the barrel.
- This is a single shot pellet pistol. Load no more than one pellet at a time.
- Close the barrel by pressing downward on it until it snaps shut.

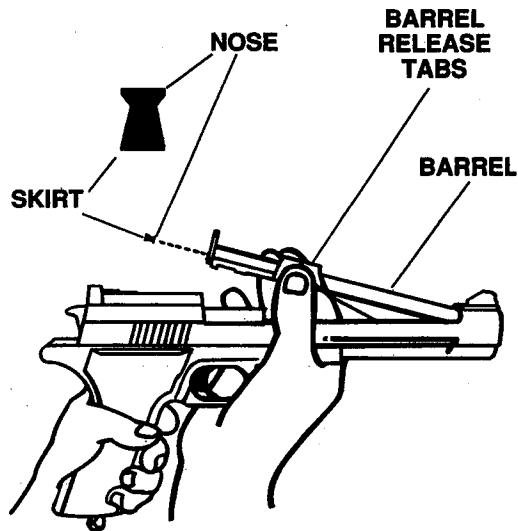


FIG. 6

10

B. Unloading Pellets

NOTE: Airgun must be charged with CO₂ when following this procedure.

- Aim the pistol in a SAFE DIRECTION, take it off safe and fire.
- You may also unload your pistol by following the directions listed under Step 7—Removing a Jammed Pellet.

Step 6. Aiming and Firing Safely

A. Aiming the Air Pistol

Always aim your air pistol in a SAFE DIRECTION. When you are sure of your target and backstop, and the area around the target is clear, take the pistol off safe (See Step 2) and squeeze the trigger to fire.

Don't shoot at hard surfaces or at the surface of water. The BB or pellet may bounce off and hit someone or something you had not intended to hit.

The air pistol is correctly aimed when the front sight blade is positioned exactly in the notch of the rear sight. The top of the front

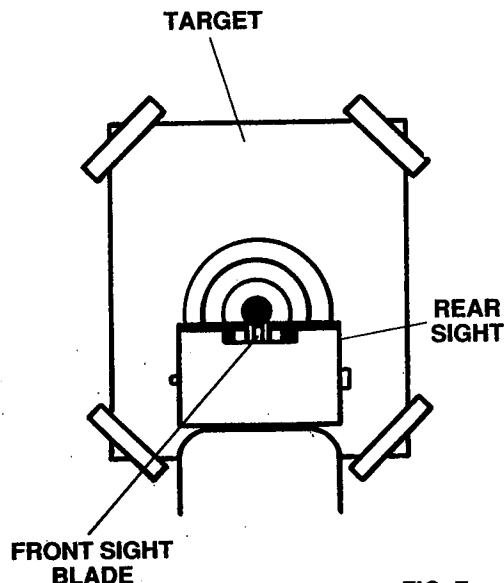


FIG. 7

sight blade should be even with the top of the notch in the rear sight. The bullseye should appear to rest on the top of the front sight. (Fig. 7)

To aid in proper alignment, the front sight blade and rear sight notch have been color highlighted.

B. Sight Adjustment

Move the Rear Sight in the same direction you want the BB or pellet to hit on the target.

(Fig. 8) Elevation Adjustment: Turn screw clockwise to move point of impact up, turn screw counterclockwise to move point of impact down. Windage Adjustment: Turn screw clockwise to move point of impact to right and counterclockwise to move point of impact to left.

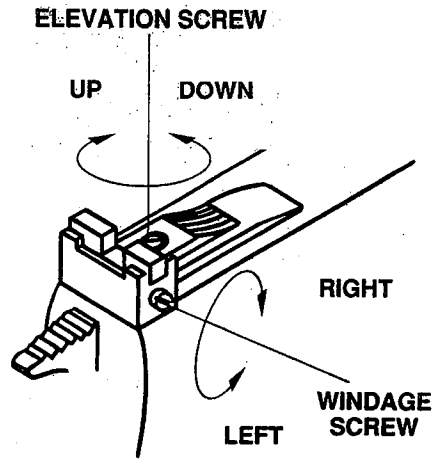


FIG. 8

Step 7. Removing a Jammed BB or Pellet

- Put the pistol on safe. (See Step 2)
- Unload all of the BBs. (See Step 4B)
- Remove the Powerlet. (See Step 3)
- Open the barrel. (See Step 5)
- Insert a rod or straightened clothes hanger into the barrel. (Start at the muzzle.)
- Push the jammed BB or pellet out the breech end of the pistol (Fig. 9)
- Don't try to reuse that BB or pellet again.
- If for some reason you are unable to unjam you pistol, Crosman Authorized Service Center will unjam it for you free of charge during your warranty period.

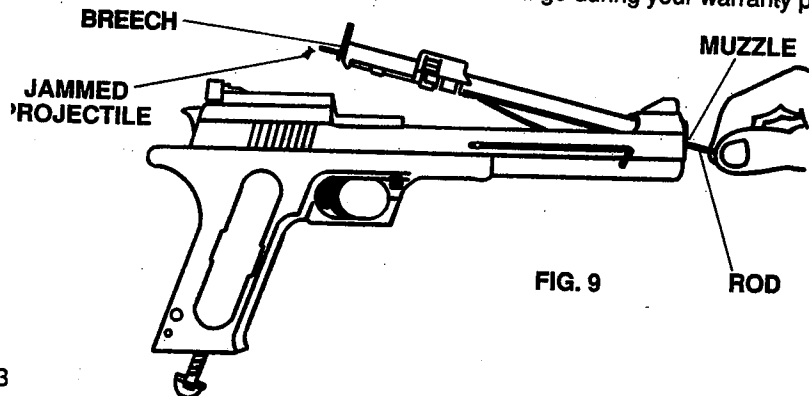


FIG. 9

Step 8. Maintaining Your Air Pistol

Trouble Shooting Guide

PROBLEMS	REASONS								
	Safety in on position	CO ₂ cylinder low or empty	Barrel plugged	CO ₂ cylinder not fully pierced	Extreme high or low temperatures	Defective or improper ammunition	Ammunition Not In Load Position	Gun fired beyond recommended number of shots	Barrel in open position
INACCURACY		●		●	●	●		●	
GUN FAILS TO SHOOT	●	●	●	●		●	●	●	●
LOW POWER		●		●	●	●		●	
BARREL PLUGGED		●		●	●		●		
GUN LEAKS				●					

14

Your pistol will work best if you oil it every 250 shots. Put 2 or 3 drops of Crosman Pellgunoil® (available for order through Crosman Accessories Catalog) on the CO₂ piercing assembly and the piercing lever. Pellgunoil is best, but any light household oil is better than none. Don't over-oil. This can cause damage to your pistol. (Fig. 10)

Tampering with the gun or attempts to change the gun in any way make it unsafe to use. If you drop your gun, check to see that it works properly before you use it again. If anything seems changed, like a shorter or weaker trigger pull, this may mean worn out or broken parts. Don't use it again until you've had it checked by an Authorized Service Station. (A list of Service Stations is in the box with the pistol.)

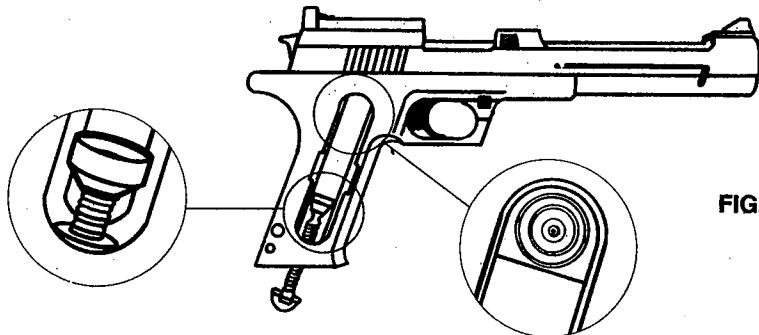


FIG. 10

Step 9. Reviewing Safety

- Always treat your pistol as though it were loaded. Don't point at anything you don't intend to shoot. Always aim in a SAFE DIRECTION.
- Always keep pistol on safe until you are ready to shoot in a SAFE DIRECTION.
- Always wear shooting glasses to protect your eyes.
- Keep hands away from escaping CO₂ gas. It can cause frostbite if allowed to come in contact with skin.
- Stop using a backstop if it becomes worn. Place backstop in a location that will be safe should the backstop fail.
- Never use any tool on the Powerlet piercing lever. Overtightening can cause injury to you.
- Use BBs and .177 caliber pellets only. Never reuse ammunition.
- Don't shoot at water or hard surfaces such as metal. The BB or pellet may bounce off or ricochet and hit someone or something you had not intended to hit.
- Do not attempt to disassemble or tamper with your gun. Use a competent repairman.
- Always check to see if the pistol is on safe and unloaded when getting it from another person or from storage.
- Don't put the pistol away loaded. Make sure all of the BBs and pellets are unloaded. (See Steps 4B and 5B)

16

Step 10. Using and Enjoying Your Air Pistol

Now that you have studied your owner's manual and understand how to use your air pistol properly, you are ready to begin your shooting enjoyment. Follow these shooting tips for fun and safe shooting.

Choosing Targets

Always choose your targets carefully. It is best to shoot at paper bullseye targets which are attached to a safe backstop such as the Crosman Target Trap. A heavy blanket should be hung behind the target trap to prevent ricochet or BBs or pellets bouncing off should you miss the backstop. It is also best to wear shooting glasses to protect your eyes.

Don't shoot at hard surfaces or at the surface of water. The BB or pellet may bounce off and hit someone or something you had not intended to hit.

Your backstop should be checked for wear before and after each use. Stop using any backstop if the surface is worn or damaged or if the BB or pellet bounces off or ricochets.

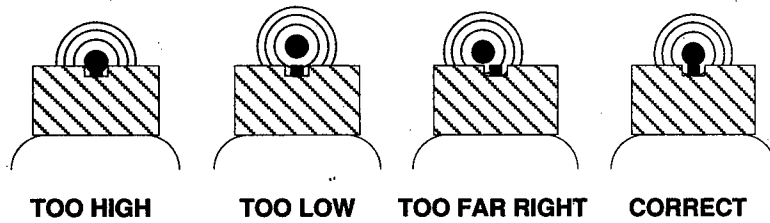
Your airgun is designed for target shooting and is suited for both indoor and outdoor use. Always remember to place your target carefully. THINK what you will hit if you miss the target!

Shooting

We talked earlier about aiming your air pistol and sight adjustment (Step 6). The next step is putting the sights together with the target. This is known as sight picture.

A correct sight picture has the bullseye directly centered on top of the front sight with both sights correctly aligned. (Fig. 11)

FIG. 11





Now with the sights and target in the proper position, you are ready to squeeze the trigger. A trigger must be squeezed smoothly to keep the sights aligned and on the target as you fire the gun.

Competitive Enjoyment

Competing with friends and holding informal shooting matches can make airgun ownership more fun and exciting. Crosman accessory targets will help make your neighborhood matches the most popular around.

REMEMBER...shooters are made, not born. Know the basics of safe shooting.

SPECIFICATIONS

- Mechanism: Automatic BB Repeater
Single Shot .177 Pellet
- Caliber: .177
- Ammunition: BB cal. (4.5 mm) Steel Airgun Shot 
.177 cal. (4.5 mm) Lead Airgun Pellet 
- Magazine: 17 BBs
- Weight: 13 oz. (.37 kg)
- Length: 10 3/4" (27.3 cm)
- Sights: Rear Fully Adjustable
Front Ramped Blade
- Front & Rear: Color Highlighted
- Barrel: 6 5/8" Steel Tube, Smooth bore
- Power Source: One Crosman 12 gm. CO₂ Powerlet*
(small neck type)
- Safety: Cross Bolt

REPAIR SERVICE

If your airgun needs repair, we recommend you take or send it to your nearest Crosman Authorized Service Center, (list of service centers in box with airgun). Your airgun requires special tools and fixtures to repair it. If you take it apart, you probably will not be able to reassemble it correctly. Crosman assumes no warranty responsibility in this case.

A SPECIAL CUSTOMER SERVICE

Crosman Authorized Service Stations will unjam your pistol at no cost during the warranty period.

Projectile	Weight	*Muzzle Velocity	Average Shots CO ₂ Powerlet
BB	5.5 gr.	480 FPS	80
.177 Pellet	7.9 gr.	430 FPS	**50

NOTE: Operating pistol at below 70°F will decrease the number of effective shots. The reverse is true for operating above 70°F.

*Initial velocity listed may exceed average velocity up to 15%. Many factors affect velocity, including brand of projectile, type of projectile, amount of CO₂ in cartridge, oiling of the gun, barrel condition, temperature and elevation. **Shooting more than 50 pellets per CO₂ cartridge may result in unsatisfactory accuracy due to lower velocities.

LIMITED ONE YEAR WARRANTY

This product is warranted to the retail consumer for one year from date of retail purchase against defects in material and workmanship and is transferable. To register the serial number of your gun, please return the Airgun registration form. The warranty is not conditioned on the return of the card.

WHAT IS COVERED

Replacement parts and labor. Transportation charges to consumer for repaired product.

WHAT IS NOT COVERED

Transportation charges to Crosman for defective product. Damages caused by abuse or failure to perform normal maintenance—see Owner's Manual. Sales outside of the United States: Any other expense. **CONSEQUENTIAL DAMAGES, INCIDENTAL DAMAGES, OR INCIDENTAL EXPENSES, INCLUDING DAMAGE TO PROPERTY. SOME STATES DO NOT ALLOW THE EXCLUSION OR LIMITATION OF INCIDENTAL OR CONSEQUENTIAL DAMAGES, SO THE ABOVE LIMITATION OR EXCLUSION MAY NOT APPLY TO YOU.**

HOW TO OBTAIN WARRANTY PERFORMANCE

Locate nearest Crosman Service Center on list with Product or in phone book. Attach to Product your name, address, description of problem, phone number and proof of date of retail purchase (sales slip). Package and return Product to Crosman Service Center, transportation charges prepaid.

IMPLIED WARRANTIES

ANY IMPLIED WARRANTIES, INCLUDING THE IMPLIED WARRANTIES OF MERCHANTABILITY AND FITNESS FOR A PARTICULAR PURPOSE, ARE LIMITED IN DURATION TO ONE YEAR FROM DATE OF RETAIL PURCHASE. SOME STATES DO NOT ALLOW LIMITATIONS ON HOW LONG AN IMPLIED WARRANTY LASTS, SO THE ABOVE LIMITATIONS MAY NOT APPLY TO YOU.

To the extent any provision of this warranty is prohibited by federal, state, or municipal law which cannot be preempted, it shall not be applicable. This warranty gives you specific legal rights, and you may also have other rights which vary from state to state.