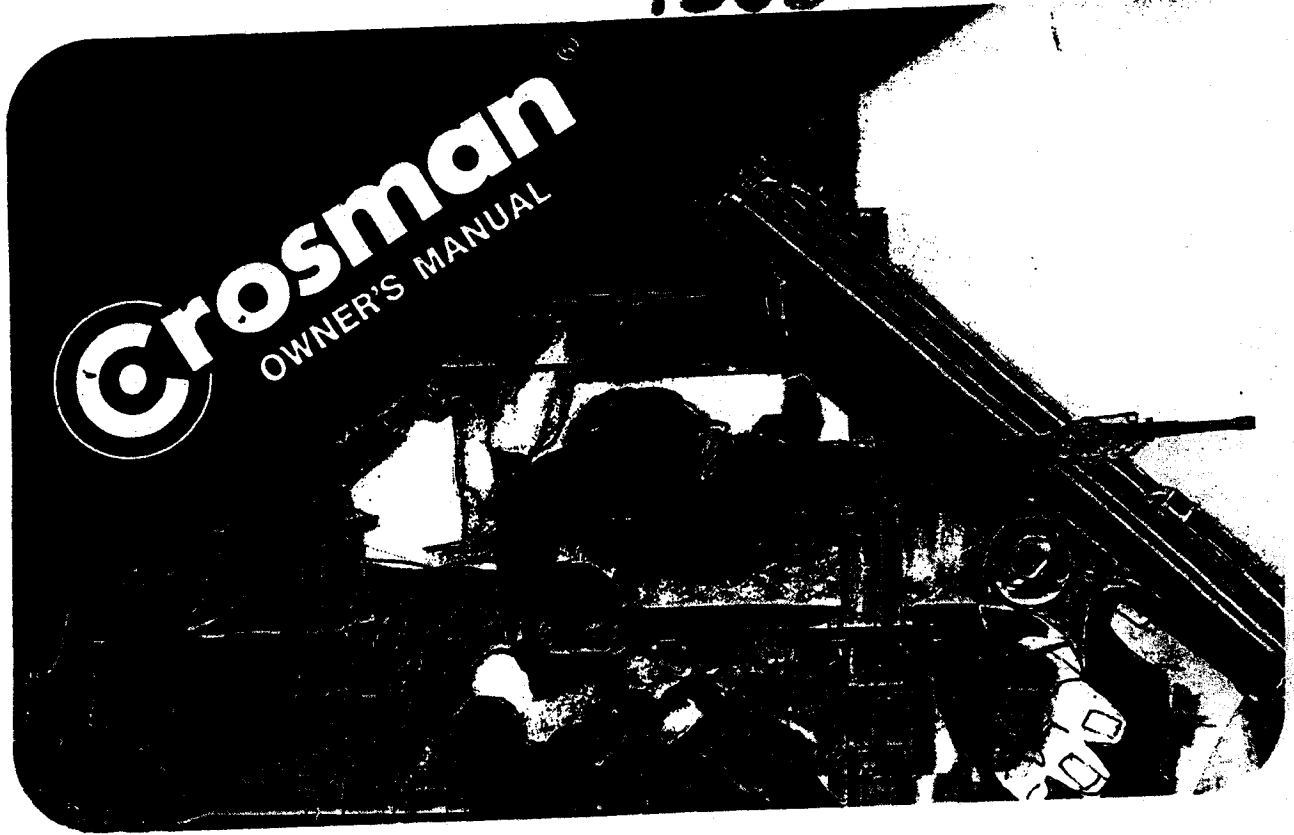


1300

**Crosman**<sup>®</sup>  
OWNER'S MANUAL



Please read this Owner's Manual carefully, and thoroughly before operating gun.

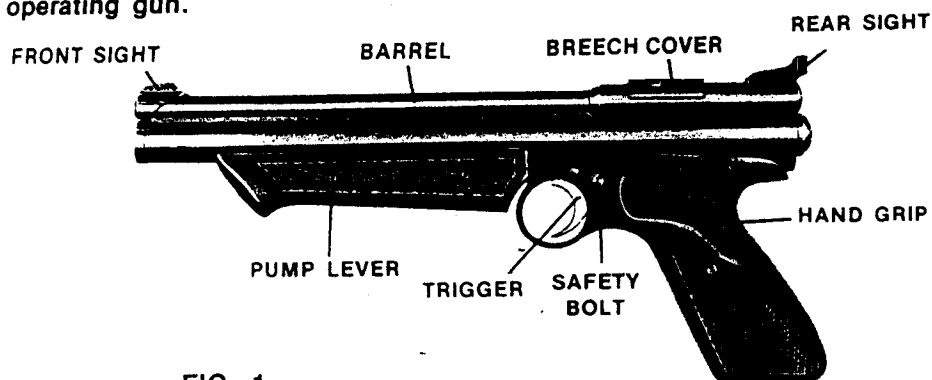


FIG. 1

Crosman Arms welcomes you, the owner of a Model 1300 Medalist II pistol, to the ever increasing number of sportsmen and shooting enthusiasts who have chosen Crosman guns.

### SHOOTING THE 1300

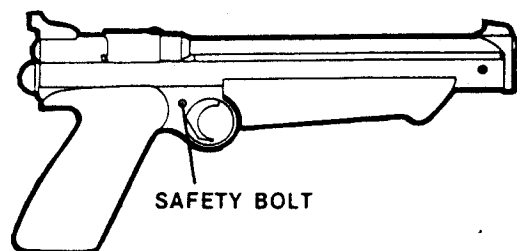


FIG. 2

#### To Charge the Pistol

Be sure to push in the Safety Bolt from the left side of the frame to set the pistol to SAFE (Fig. 2). Grip the pistol firmly with

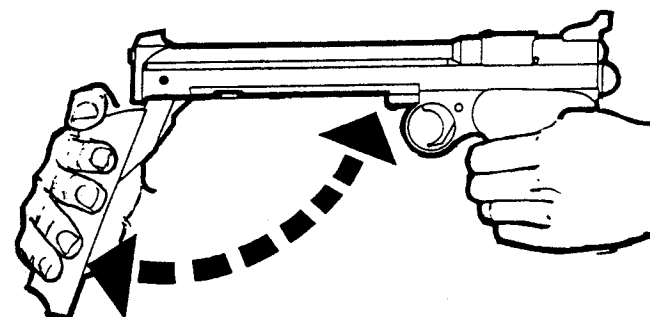
one hand around the grip, making sure not to place any of your fingers inside the Trigger Guard. Place your other hand on the Forearm. Open the Forearm until it

The 1300 is a precision built pistol, engineered from the finest quality materials and designed to combine high performance with inexpensive shooting. It is a self-cocking, pneumatic pump action air pistol and operates as a single shot .22 caliber pellgun. Before your pistol was released from our factory, it underwent numerous rigid inspections and was test fired to guarantee its performance.

With normal care and maintenance, your 1300 pistol will last a lifetime and provide endless pleasure. You are urged to use your pistol with respect for other people and to exercise caution and common sense at all times. You should not alter or adjust any of the factory settings to the trigger or safety bolt or interfere with any other part of the pistol that may impair its safe operation.

#### SPECIFICATIONS

<b>Mechanism</b>	Single shot, slide breech cover
<b>Caliber</b>	.22
<b>Ammunition</b>	Crosman SUPER PELLE®
<b>Capacity</b>	Single Shot
<b>Weight</b>	2 lb. (910 gr)
<b>Overall Length</b>	11 ¼ in. (300 mm)
<b>Sights</b>	
Rear	Square notched, fully adjustable for elevation and windage.
Front	Fixed Blade
<b>Barrel</b>	7 ¾ in. (185mm)
<b>Power</b>	High compression air, pneumatic pump action
<b>Range</b>	Controlled range dependent on number of pumps.

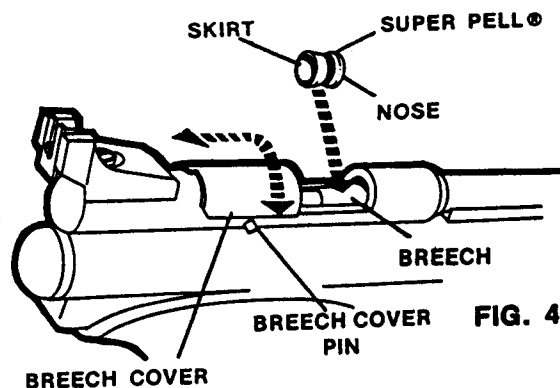


PUMP STROKE

FIG. 3

stops, then, using the open palm of the hand, return it to the closed position to complete a pump stroke (Fig. 3). Pump the pistol by using full, even strokes. Each pump stroke compresses a volume of air

into the valve. Because the 1300 has an improved pump and valve system, only six pump strokes are required for a target range of 25 feet (7.6 m).



#### To Load The Pistol

Be sure to set the Safety Bolt to SAFE. Point the pistol in a safe direction, turn the Breech Cover to the left, and draw it back to open the Breech (Fig. 4). Place a Crosman SUPER PELL®, nose forward, into the Breech. Push the Breech Cover

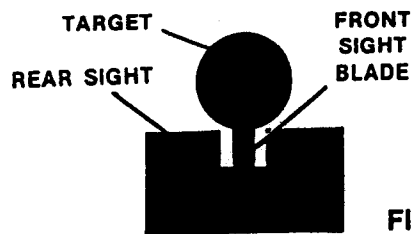
fully forward and turn it to the right to lock. Make sure that the Breech Cover is completely closed and held in place by the Breech Cover holding Pin.

**NOTE:** Do not fire the pistol with the Breech Cover open.

#### SIGHTING-IN-THE 1300

When taking aim, it is important to stand erect with the feet comfortably apart. Grip the pistol firmly and extend your arm fully to the side at shoulder level, pointing the gun directly at the target. Place your other hand on your hip, with your elbow slightly bent. Line up a perfect sight picture. The pistol is correctly aimed when the blade of the Front Sight is centered in the notch of the Rear Sight, and the top of the Front Sight Blade is flush with the top of the Rear Sight (Fig. 5). For target shooting, many marksmen prefer to sight-in at the bottom of the bull's-eye (the six o'clock position). The sights will then appear black against the white of the target. The point of impact, will be the center of the bull's-eye, once pistol is sighted in.

The Rear Sight may be adjusted for elevation and, if necessary, windage.



#### Elevation

If the pistol is required to shoot higher, the Rear Sight must be raised; to shoot lower, the Rear Sight is lowered. To adjust the Rear Sight Blade, be sure that the Safety Bolt is set to the SAFE position. Then, with a small screwdriver, turn the Elevation Adjustment Screw just enough to release the Rear Sight Blade (Fig. 6). Move the Sight Blade to the desired position and turn the Elevation Adjustment Screw clockwise to secure the Sight Blade.

#### To Shoot The Pistol

Point the pistol in a safe direction. When you are sure of your target and backstop, push in the Safety Bolt from the right side of the frame. Take aim, then squeeze the Trigger gently, to fire.

#### To Unload A Pell From The Barrel

To remove a pell or obstruction that has become lodged in the Barrel, point the

pistol in a safe direction, make sure of your backstop, and fire the pistol. Set the Safety Bolt to the SAFE position. Turn the Breech Cover to the left and draw it back to open the Breech. Insert a 5/32 inch (4mm) ramrod into the muzzle end of the Barrel and push the obstruction out into the breech section.

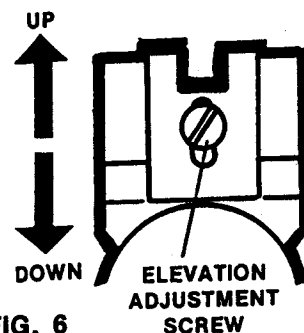


FIG. 6

Test shoot the pistol to determine if the adjustment is sufficient. Repeat the procedure, with the pistol set to SAFE, if further adjustment is necessary.

#### Windage

If it is necessary to make an adjustment to compensate for windage, turn the Windage Adjustment Screw sufficiently to allow the Rear Sight to be moved to the

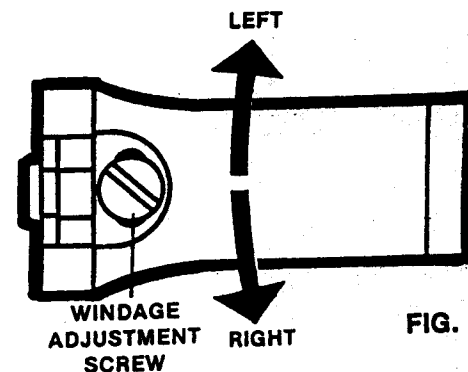


FIG. 7

right or left (Fig. 7). To make the pistol shoot more to the right, move the Rear Sight to the right. To adjust to the left, move the sight to the left. Turn the Windage Adjustment Screw clockwise to secure the Rear Sight. DO NOT over tighten the adjustment screw, or you may damage the threaded hole in the Barrel. With the pistol set to SAFE, repeat this procedure if further adjustment is necessary.

## CARE OF THE 1300

Treat your pistol with the same fine care that you give your other valued possessions and it will give you a lifetime of service, pleasure, and enjoyment. Be sure your pistol is set to SAFE and is unloaded and that all air pressure has been released when the pistol is not in use. Always keep your pistol clean. Be sure that dirt and grit do not enter the Barrel, pump and valve action, or other moving parts.

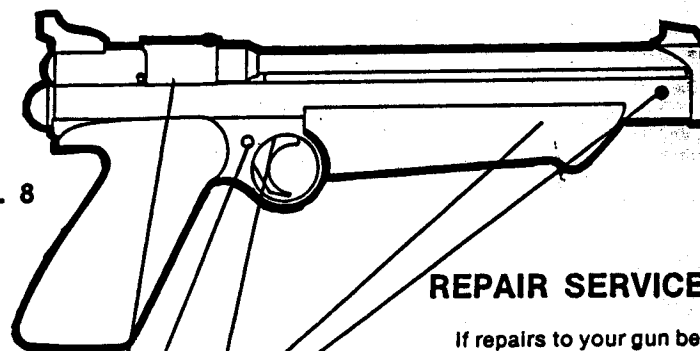
For greatest accuracy, long barrel life, and trouble-free performance, use only Crosman .22 caliber SUPER PELLE®. The design and materials of other ammunition could cause loading failures, a plugged barrel, and permanent damage to your pistol.

### Lubrication

Be sure to follow these simple instructions to insure the long life of your pistol. To maintain trouble-free performance and eliminate most sealing failures, after every 250 shots, or when moving parts appear dry, apply two or three drops of Crosman PELLGUNOIL®. With a small screwdriver, remove the two securing screws, withdraw the hand grip, and oil the cocking mechanism through the sear spring hole. Open the Forearm fully and apply oil to the exposed pump cup, the felt in the pump tube, and the Forearm pivot (Fig. 8). DO NOT over oil, or you may harm the gun action. DO NOT use penetrating, detergent, or regular gun oils, or you may damage the valve washers, seals, and enamel finish.

It is not necessary to clean the Barrel bore, but the occasional application of a little PELLGUNOIL® is recommended to prevent the Barrel from rusting.

FIG. 8



**pellgunoil®**

**WARNING:** The use of any other lubricating oil other than Pellgunoil could result in damage to this gun.

## REPAIR SERVICE

If repairs to your gun become necessary, it is recommended that the work be entrusted only to a Crosman Authorized Service Station. Fully equipped and manned by a specially trained staff, the world-wide network of Service Stations have been established to provide fast, efficient, local service. In areas where no repair service is available, a Repair Manual may be obtained, for \$1.50, from Crosman Arms Company, 980 Turk Hill Road, Fairport, N.Y. 14450, U.S.A.

**CROSMAN AMMUNITION IS GUARANTEED FOR BEST SHOOTING RESULTS, LONGER GUN LIFE.**



### CROSMAN SUPER PELLE®

Best for any pellet gun  
Lubricated, molded from 100% soft, virgin lead.  
No shattering  
Minimum ricochet  
Greater Safety  
Flat head and hollow skirt flatten on impact.  
Top accuracy  
Specially designed skirt fits TRU-FLYTE barrel  
Factory Sealed in self-dispenser boxes of 250 .22 and .177 Caliber

## CAUTION

The following suggestions are intended to serve as a useful reminder.

- DON'T forget to treat every gun as if it were loaded.
- DON'T alter or adjust any of the factory settings to your pistol.
- DON'T forget to check the Safety Bolt before loading.
- DON'T reuse ammunition that has already been fired.
- DON'T shoot steel darts, or the accuracy of your pistol may be impaired and personal injuries may result.
- DON'T shoot your pistol until you have pumped it at least two times.
- DON'T overpump your pistol.
- DON'T point your pistol in an unsafe direction.
- DON'T shoot at the target until you are sure of your backstop.
- DON'T over lubricate your pistol.
- DON'T store your pistol loaded.
- DON'T use your pistol without due respect for yourself and others.
- DON'T conduct yourself in an unsportsmanlike manner when using your pistol.