

## HOW TO USE YOUR RED DOT (PB) SIGHT

**CAUTION: BE SURE THAT THE FIREARM IS NOT LOADED, PRACTICE SAFE FIREARM HANDLING PROCEDURES AT ALL TIMES.**

### Units Without Integrated Rails:

If during installation of the red dot sight onto a rifle or shotgun, the rings are too far apart to fit the basic scope, remove the trim ring and screw the extension tube onto the exposed thread at the front of the scope.

Some red dot sights come equipped with a protective plastic shield, which is designed for special application automatics. If your firearm is not of this type, remove the rubber eye guard from the end of the ocular tube, slip off the protective shield, and replace rubber eye guard.

As there is no set eye relief for red dot sights, allow a minimum of three inches of space between the eyeball and the shooter's eye when in the shooting position.

Install the included rings onto the base or bases by aligning and seating the crossbolt of the ring into the crosscut grooves of the base. Tighten each crossbolt lock-nut with a screwdriver or coin.

Separate the upper and lower halves of each ring using the included hex wrench to remove the two screws.

Place the scope in the cradle formed by the lower ring halves. Replace upper ring halves and partially tighten screws.

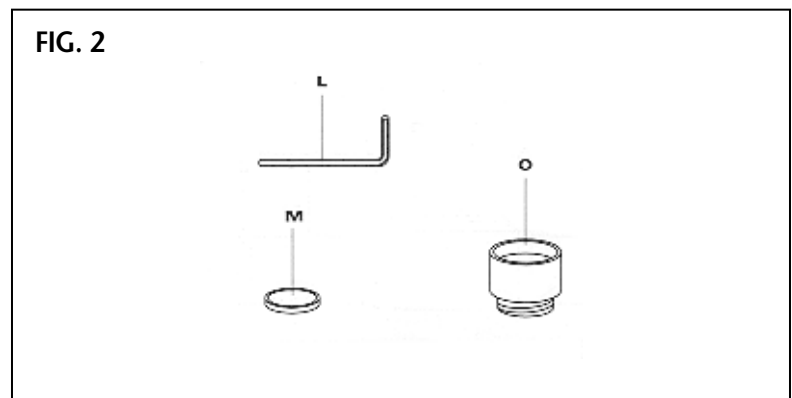
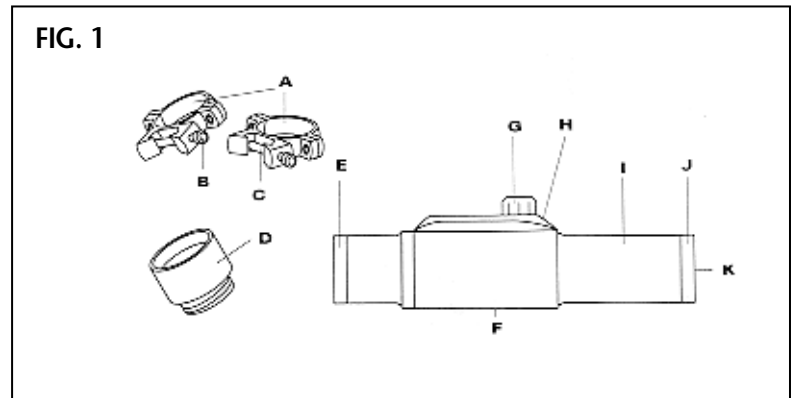
Rotate the scope in the rings so that the elevation adjustment is on top.

Some models have the rheostat located on top of the scope. To eliminate scope contact with ejected casings, these scopes can be rotated to position the rheostat and elevation adjustment on the side (and the windage adjustment is on top).

**NOTE: In this case the "UP" indicator will now be the "R" or right indicator, and the "R" will become the "UP" indicator.**

### Units With Integrated Rail:

Set the rail onto the base or bases. Align and seat the crossbolt of the ring into the crosscut grooves of the base. Tighten each crossbolt lock-nut with a screwdriver or coin.



*(Continued on next page)*

**NOTE: For additional security, add a drop of thread-locking compound to the center of each lock-nut.**

**CAUTION: BE SURE THAT THE FIREARM IS NOT LOADED, PRACTICE SAFE FIREARM HANDLING PROCEDURES AT ALL TIMES.**

Red dot sights are powered by 3V "coin style" lithium batteries, type 2032. To install batteries, unscrew the battery compartment and insert the batteries positive ("+" ) side up. Replace the battery cover. If the reticle dims or does not light at all, replace the batteries.

**CAUTION: ALL DISCHARGING OF FIREARMS SHOULD BE DONE AT AN APPROVED RANGE OR EQUALLY SAFE AREA. USE IF EYE AND EAR PROTECTION IS RECOMMENDED.**

Activate the illuminated reticle by turning the rheostat knob clockwise to brighten and counterclockwise to dim. The lower numbers represent dimmer settings and the higher numbers represent brighter settings of illumination. The "0" position indicates that the unit is off.

**FOLLOWING IS THE ADDITION TO THE INSTRUCTION SHEET FOR THE NEW PUSH BUTTON RED DOT MODELS:**

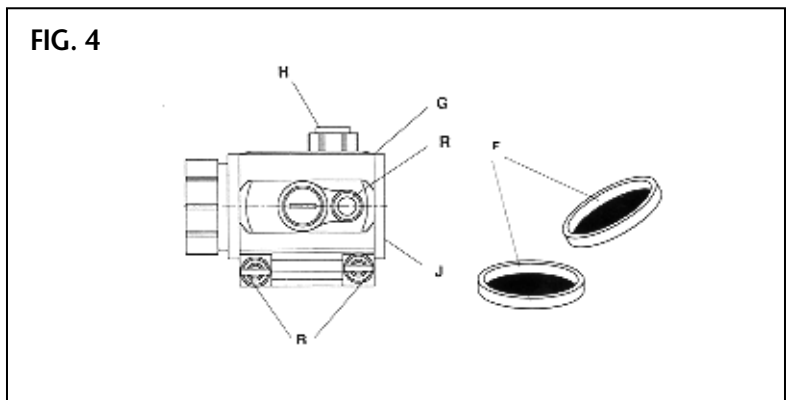
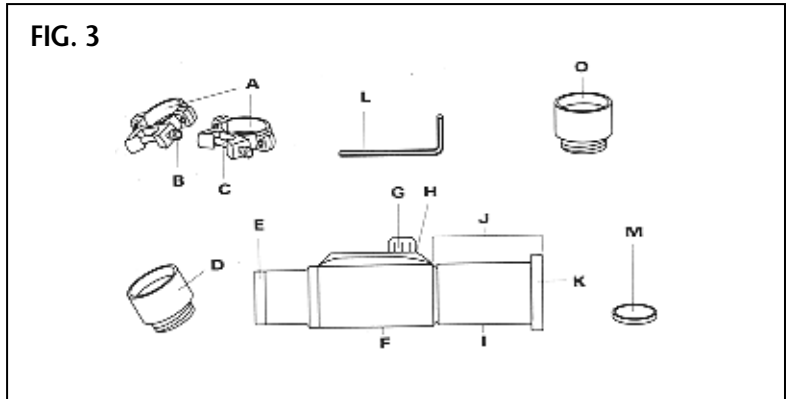
The push button rheostat controls the degrees of illumination. The push button for these models is located on the left side of the device. To prevent accidental discharge in shipping, a plastic insulator has been placed within the battery compartment. To remove the plastic insulator, unscrew the battery cover and remove the plastic from both sides of the battery. Replace the battery, being careful to insert the battery positive ("+" ) site up. Replace the battery cover firmly to assure that it is water tight. The illumination feature is activated by depressing and releasing the button located beside the battery compartment. The button should be depressed until a click is felt. The first "click" will be the illuminator's least bright setting. Subsequent "clicks" will increase the illuminator's brightness to a maximum of seven clicks. The eighth click will switch off the illuminator. The illuminator may also be switched off from any setting by depressing and holding the button down for approximately two seconds.

Remove the windage and elevation adjustment screw caps.

With the scope mounted, rest the gun on a solid support. Sight along the barrel and aim it at a target 50 to 100 yards away. Sight through your red dot sight and use the windage and elevation adjustments to align the lighted reticle with the target as seen along the barrel.

**NOTE: Each click of adjustment changes bullet strike at a shooting distance of 100 yards by the amount indicated on the windage and elevation screw dial plates. To calculate the click value at**

*(Continued on next page)*



---

**distances other than 100 yards, use the following formula: divide the distance (number of yards) by 100. The resulting number, when multiplied by the click value stated on the windage and elevation dial plates, will yield the actual click value of the scope at the shooting distance.**

distance / 100 = N

N \* stated click value = actual click value

The polarizing filter may be inserted into the objective end of the red dot sight, or at the end of the extension tube. To attach filter directly to the objective end, the objective trim ring must first be removed.

Use of the sunshade may reduce or eliminate excess reflections caused by some lighting conditions. When mounting on extra long action rifles, the sunshade may also be used to lengthen the scope and gain added space between the front and rear rings. To install the sunshade, remove the rubber eye guard from the end of the ocular tube, then thread the sunshade into the tube.

Duracell DL2032 / Sunrise CR2032 / Radio Shack 5004L

Other brands of batteries not listed in the chart are available and suitable for use in the red dot sight. Refer to "coin cell" NEDA type when purchasing batteries.

***Includes:***

Polishing Cloth	Extension Tube/Mirage Hood *
Lithium Battery/Batteries	Matching 30mm Ringset with Hex Wrench *
Haze Filters or Dust Caps	Protective Shield *
Polarizing Filter *	Integrated Standard Dovetail Base *
Extension Tube/Sunshade *	* Applicable models only

**CAUTION: DIRECT VIEWING OF THE SUN CAN CAUSE PERMANENT EYE DAMAGE. DO NOT ATTEMPT TO VIEW THE SUN WITH EITHER THIS PRODUCT OR THE NAKED EYE.**

***Legend for Red Dot Scope***

A 30 mm Rings	J Eyebell
B Locking Nut	K Rubber Ring
C Crossbolt	L Hex Wrench
D Extension Tube/Mirage Hood	M Coin Style Lithium Battery
E Trim Ring	N Polarizing Filter
F Battery Compartment	O Extension Tube/Sunshade
G Windage Adjustment Cap	P Dust Caps
H Elevation Adjustment Cap	Q Rheostat with 11-position Detents for Varying Light Intensity
I Protective Shield	R Battery Compartment - Push Button Rheostat (Push Button Models Only)

**General Use of Your New BSA Red Dot Sight**

Red dot Sights work by reflecting the light from a light emitting diode off of a mirror and back to the eye of the user. The mirror is specially coated to reflect the diode's light, while at the same time allowing the user to see through it to the target. The mirror is located at the front of the red dot and must be tipped at an angle. This angle is necessary to reflect the light of the diode, which is located on the edge of the tube, straight back through the tube to the user's eye. The angle or tilt of the mirror in no way signifies any malfunction of the device.

**WE HOPE THAT YOUR INCREASED UNDERSTANDING OF THE DESIGN AND CAPABILITIES OF RED DOT SIGHTS WILL NOW ALLOW YOU MANY YEARS OF ENJOYMENT AND SATISFACTION WITH YOUR BSA PRODUCT. IF YOU SHOULD HAVE ANY QUESTIONS, PLEASE FEEL FREE TO DIRECT THEM TO THE ADDRESS AND PHONE NUMBER LISTED ON YOUR WARRANTY CARD.**

---

BSA Optics, Inc. • 3911 SW 47th Avenue • Suite 914 • Fort Lauderdale, Florida 33314 • Tel: (954) 581-2144 • Fax: (954) 581-3165  
e-mail: 4info@bsaoptics.com • website: www.bsaoptics.com

©2002 BSA OPTICS, INC. • MADE IN CHINA • B-IS-RS-RD-03