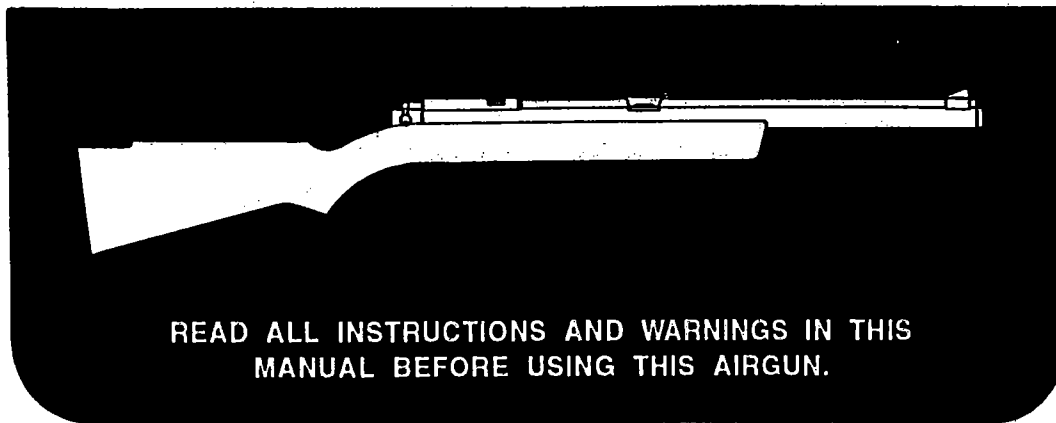


**BLUE STREAK® AND SILVER STREAK®
F9 SERIES .20 CALIBER AND G397 MODELS,
.177 CALIBER AND G392 MODELS .22 CALIBER**



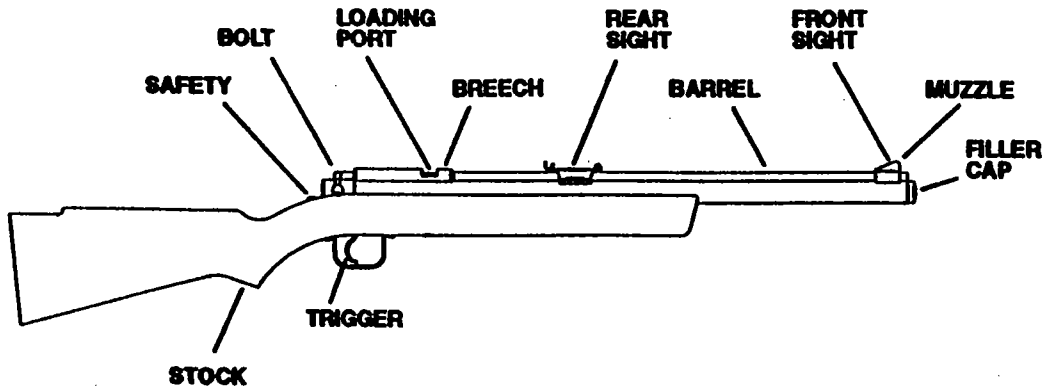
**READ ALL INSTRUCTIONS AND WARNINGS IN THIS
MANUAL BEFORE USING THIS AIRGUN.**

STEPS FOR SAFE SHOOTING

	Page
Step 1. Learning the Parts of Your New Rifle	4
Step 2. Operating the Safety	5
Step 3. Removing and Installing CO ₂ Cylinder.....	7
Step 4. Loading and Unloading Pellets.....	9
Step 5. Aiming and Firing Safety.....	10
Step 6. Removing a Jammed Pellet.....	12
Step 7. Maintaining Your Rifle	13
Step 8. Reviewing Safety.....	15
Step 9. Choosing Targets.....	16

3

Step 1. Learning the Parts of Your New Rifle



4

Step 3. Removing and Installing CO₂ Cylinder

⚠ CAUTION: KEEP HANDS AWAY FROM ESCAPING CO₂ GAS. IT CAN CAUSE FROSTBITE IF ALLOWED TO COME IN CONTACT WITH SKIN.

A. Removing CO₂ Cylinder.

- Unload the rifle. (See Step 4).
- Put rifle "On Safe". (See Step 2).
- Slowly turn the filler cap counter-clockwise completely allowing the release of remaining CO₂ through the action.
- Pull the filler assembly from the action tube and remove the empty CO₂ cylinder by pointing the muzzle of the rifle down.

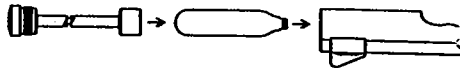


FIG. 3

B. Installing New CO₂ Cylinder

- Insert the new CO₂ cylinder into the rifle with the small neck of the cylinder into the action tube first. (Fig. 3).
- Replace the filler cap assembly in the action tube. Be sure to screw the filler cap completely into place.
- Point the unloaded rifle in a SAFE DIRECTION, take the rifle "Off Safe", and pull the trigger. This will pierce the CO₂ cartridge and rifle will be fully charged. If not, repeat cocking and firing the rifle until it expels CO₂.

7

⚠ CAUTION: BE SURE THE RIFLE IS UNLOADED WHEN RELEASING THE CO₂ CHARGE. IF A PELLET IS LEFT IN THE BARREL AND A NEW CYLINDER IS INSERTED AND PIERCED BY COCKING AND PULLING THE TRIGGER, THE PELLET WILL BE EXPELLED. ALWAYS POINT THE RIFLE IN A SAFE DIRECTION WHEN CHARGING.

⚠ CAUTION: WE RECOMMEND THE USE OF SHERIDAN CO₂ CARTRIDGES. THEY ARE MADE TO FIT THE F9 SERIES, MODEL G397 AND MODEL G392 RIFLES. OTHER BRANDS OF CO₂ CARTRIDGES MAY NOT FIT PROPERLY AND IF YOU FORCE THEM INTO PLACE IT MAY RESULT IN INJURY TO YOU OR DAMAGE TO YOUR RIFLE. NEVER TRY TO FORCE ANY CO₂ CARTRIDGE INTO PLACE.

⚠ WARNING: CO₂ CYLINDERS MAY EXPLODE AT TEMPERATURES ABOVE 120°F. DO NOT MUTILATE OR INCINERATE THEM. DO NOT EXPOSE THEM TO HEAT OR STORE THEM AT TEMPERATURES ABOVE 120°F.

B. Sight Adjustment- Open Sights

- The rear sight may be adjusted to shoot higher or lower (elevation). Turn the elevation screw clockwise to make the pellet hit higher on the target. Turn the elevation screw counterclockwise to make the pellet hit lower on the target (Fig. 6).
- The rear sight may also be adjusted to shoot right or left (windage). To make the pellet hit further to the left on the target, loosen the windage screw on the right side of the sight. To make the pellet hit further to the right on the target, loosen the windage screw on the left side of the sight and tighten the windage screw on the right side of the sight. (Fig. 6).

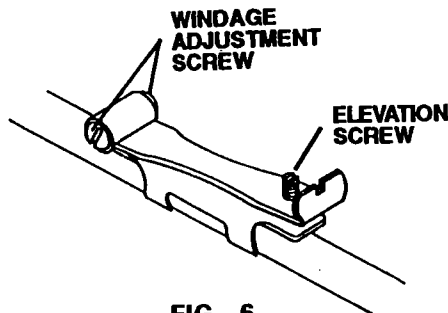


FIG. 6

11

Step 6. Removing a Jammed Pellet

- Don't reload.
- Put rifle "On Safe". (Step 2).
- With bolt in the open position, insert a cleaning rod (cleaning rods can be ordered from factory) into the muzzle end of the barrel and gently push the jammed pellet into the pellet loading port (forward of the bolt). (Fig. 7). Don't try to reuse that pellet again.
- If for some some reason you are unable to unjam your rifle, return it to the factory and we will unjam it for you free of charge during the warranty period.

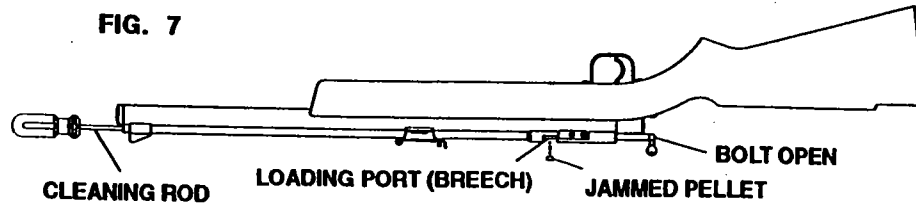


FIG. 7

12

Step 8. Reviewing Safety

- Don't point at anything you don't intend to shoot. Always aim in a SAFE DIRECTION.
- Always wear shooting glasses to protect your eyes.
- Keep hands away from escaping CO₂ gas. It can cause frostbite if allowed to come in contact with skin.
- Use .20 cal. pellets only in your F9 Series. Use .177 cal. pellets only in your Model G397. Use .22 cal. pellets only in your Model G392. Never reuse ammunition.
- Don't shoot at hard surfaces or at the surface of water. The pellet may bounce off and hit someone or something you had not intended to hit.
- Always keep the rifle "On Safe" until you are ready to shoot.
- Stop using a backstop if it becomes worn. Place backstop in a location that will be safe should the backstop fail.
- Do not attempt to disassemble or tamper with your rifle. Use a competent repairman.
- Always handle your rifle as though it were loaded.
- Always check to see if the rifle is "On Safe" and unloaded when getting it from another person or from storage.
- Don't put rifle away loaded or charged with CO₂.

15

Step 9. Choosing Targets

- Always choose your targets carefully. It is best to shoot at bullseye targets which are attached to a safe backstop such as the 850 Target Trap. (Target Trap can be ordered directly from the factory). A heavy blanket should be hung behind the Target Trap to prevent ricochet or pellets bouncing off should you miss the backstop. Always wear shooting glasses to protect your eyes.
- Don't shoot at hard surfaces or at the surface of water. The pellet may bounce off and hit someone or something you had not intended to hit.
- Your backstop should be checked before and after each use. Stop using any backstop if the surface is worn or damaged or if the pellet bounces off or ricochets.
- Your rifle is designed for target shooting and is suited for both indoor and outdoor use. Always remember to place your target carefully. Think what you will hit if you miss your target!

16

HOW TO OBTAIN WARRANTY PERFORMANCE

Attach to product your name, address, description of problem, phone number and proof of date of retail purchase (sales slip). Package and return product to Benjamin Sheridan Corporation, transportation charges prepaid.

IMPLIED WARRANTIES

ANY IMPLIED WARRANTIES, INCLUDING THE IMPLIED WARRANTIES OF MERCHANTABILITY AND FITNESS FOR A PARTICULAR PURPOSE, ARE LIMITED IN DURATION TO ONE YEAR FROM THE DATE OF RETAIL PURCHASE. SOME STATES DO NOT ALLOW LIMITATIONS ON HOW LONG AN IMPLIED WARRANTY LASTS, SO THE ABOVE LIMITATIONS MAY NOT APPLY TO YOU.

To the extent any provision of this warranty is prohibited by federal, state or municipal law which cannot be preempted, it shall not be applicable. This warranty gives you specific legal rights, and you may also have other rights which vary from state to state.