

INSTRUCTION SHEET FOR NO. 352 BENJAMIN SUPER CO₂ CARBINE SINGLE SHOT GAS RIFLE

KEEP FOR FUTURE REFERENCE

THIS GUN HAS BEEN CAREFULLY TESTED and passed our inspection. The operation of same is under your control and it will give satisfactory results if our instructions are carefully followed.

OUR GUARANTEE REQUIRES PURCHASERS to write factory about new guns that are not entirely satisfactory. Advise model and from whom it was purchased, also price paid and what the trouble is, when received, etc. WE DO NOT REPLACE GUNS or authorize Dealers to exchange them under our guarantee. We will service practically new guns or replace defective parts free of charge for original owners if returned to factory within 30 days if instructions are followed. We do not assume transportation costs.

- SAFETY RULES**
1. ALWAYS KEEP SAFETY "ON" AT ALL TIMES UNTIL YOU ARE READY TO FIRE TO PREVENT ACCIDENTAL DISCHARGE.
 2. NEVER EXPOSE CHARGED GUN OR FULL CO₂ CARTRIDGES TO SUN OR OTHER HEAT.
 3. DO NOT PUT RIFLE AWAY WITH CO₂ GAS IN IT AND DO NOT PUT RIFLE AWAY WITH AMMUNITION IN IT.
 4. NEVER REMOVE KNURLED FOREARM No. 3524 UNTIL ALL GAS PRESSURE HAS BEEN COMPLETELY DISCHARGED. TO EMPTY GUN OF GAS PRESSURE CONTINUE SHOOTING SAME BLANK. DO NOT ATTEMPT TO EXHAUST PRESSURE BY REMOVING FOREARM.

TO CHARGE No. 352 CARBINE RIFLE with CO₂ GAS remove Forearm No. 3524 and drop No. 2500 BENJAMIN SUPER CO₂ CARTRIDGE into large Barrel, small neck first; reinstall No. 3524 Forearm with "O" Seal Ring in position, then tighten same with snug fit but do not overtighten as it will jam the thread. Turn Bolt Button No. 3565 on Bolt to left until Bolt Button Pin clears Breech Cap No. 3501, pull Bolt straight back all the way until trigger clicks to engaged position, push Bolt forward turning Bolt Button to the right so that it locks in Breech Cap and seals Breech, pull Trigger, Striker No. 3535 will pierce Cartridge, releasing CO₂ GAS which charges Carbine Rifle. Gun is now ready for shooting after Pellet is loaded.

No. 352 CARBINE RIFLE shoots Calibre .22 BENJAMIN H-C PELLETS; Calibre .22 Darts may also be used in this model if metal shanks are smooth (without burrs).

TO LOAD CAL. 22 PELLETS, turn Bolt Button No. 3565 to the left; pull Bolt No. 3566 back until you hear the click of Trigger No. 3503 being engaged; place .22 Cal. BENJAMIN H-C PELLET in Breech opening (solid round end of Pellet forward) ahead of Bolt, push Bolt forward and lock it turning Bolt Button No. 3565 to the right until Bolt Button locks securely on Breech Cap No. 3501, this will advance Pellet to shooting position and seal Bolt at breech opening. PELLETS MUST BE HIGHEST GRADE to seal rifling in shot barrel for accuracy in use. USE BENJAMIN H-C PELLETS FOR BEST RESULTS: WE DO NOT GUARANTEE SATISFACTORY PERFORMANCE WITH INFERIOR AMMUNITION. If your Dealer cannot furnish GENUINE BENJAMIN H-C PELLETS, order direct from factory. DO NOT USE PELLETS OVER AGAIN.

TO LOAD DARTS pull Bolt No. 3566 back engaging Trigger No. 3503 and push pointed end of Dart into shot Barrel at Breech until tail clears front end of Bolt, push Bolt forward and turn Bolt Button No. 3565 to the right until it locks securely on Breech Cap No. 3501.

TAKE SAFETY OFF before firing. Bolt Action BENJAMIN CO₂ CARBINE GAS RIFLE is equipped with a Slide Ring Safety. When Gun is fired with the Safety "ON" it is necessary to recock it by pulling Bolt back before Safety can be raised.

USE GUN OFTEN as frequent operation keeps valve flexible. If valve leaks after gun has been stored away it is probably due to loss of elasticity in valve packing and the valve should be replaced. We do not furnish new packing for old valves or return old parts.

AFTER GUN HAS BEEN RELIEVED OF ALL GAS PRESSURE YOU CAN REPLACE CARTRIDGE. Remove Forearm No. 3524 and point gun below level, empty Cartridge will fall out. To recharge gun with Gas follow instructions for charging No. 352 RIFLE.

~~IF SEAL RING BECOMES SWOLLEN after muzzle plug is removed, do not be alarmed. Swelling is caused by "O" Seal Ring having absorbed some of the gas while under pressure. As soon as gas escapes "O" Seal Ring will resume its natural size. DO NOT ATTEMPT TO INSTALL MUZZLE PLUG WHILE "O" Seal Ring is swollen. Allow about 15 minutes for "O" Ring to return to its normal shape. Always cover Threaded Portion of Muzzle plug with Scotch Tape Before Installing "O" Ring replacement to prevent any damage to "O" ring.~~

IF YOU ARE UNABLE TO OBTAIN SATISFACTORY RESULTS, ship the complete Gun Barrel only WITHOUT STOCK AND WITHOUT AMMUNITION TO FACTORY, carefully packed by insured parcel post (or prepaid express) for adjustment under our guarantee or for repairs. At the same time do not fail to write a letter to factory by separate mail giving full details and enclose any previous correspondence or relate any circumstances regarding same. Unless your instructions are in our hands when gun reaches us we cannot process your job in the regular way, which entails additional time and expense. DO NOT ENCLOSE any correspondence in shipment.

AFTER 30 DAYS we service new guns that have not been damaged or abused and do not show excessive wear at a flat price of \$2.50 for handling, processing, and returning if complete Gun Barrel only is returned to factory by original owner carefully packed and prepaid within 90 days, in accordance with instructions.

AFTER 90 DAYS we will make all necessary repairs at current rates. You can make minor repairs by following instructions and referring to diagram. Special tool is required for replacing valve. We will furnish parts and tool if desired in accordance with price list.

WE DO NOT MAKE PARTIAL REPAIRS and we will not assume any responsibility for satisfactory operation of new parts unless we make complete repairs.

TO REMOVE OUTLET VALVE No. 3534 from No. 352 Rifle unscrew and remove Forearm No. 3524, insert Lock Ring Extractor into large Barrel until points of Extractor are engaged in eyelet ends of Lock Ring No. 3586, squeeze Extractor together and pull Lock Ring out of Barrel while it is compressed on ends of Extractor. Washer No. 3518, Striker Spring No. 3546, Striker No. 3535, Valve No. 3534 will then fall out. To reassemble replace in reverse order — Valve thru hole in Valve Seat — Striker fits on end of valve, Striker Spring over end of Striker, Washer on top of Striker Spring. To insert Lock Ring No. 3586 take Lock Ring and insert part way in the tube past threaded section of Gas Chamber with Extractor, then take a hollow tube, or wood rod just large enough in diameter to fit inside the Pressure Barrel and push Lock Ring down until it snaps into locking position.

DO NOT OIL VALVE or allow any oil to enter gas chamber. We regularly use oil proof valve packing, however we reserve the right to substitute other suitable materials when it is not available. Oil external bearings and surfaces to prevent undue wear and rust.

REAR SIGHT IS ADJUSTABLE for elevation and windage.

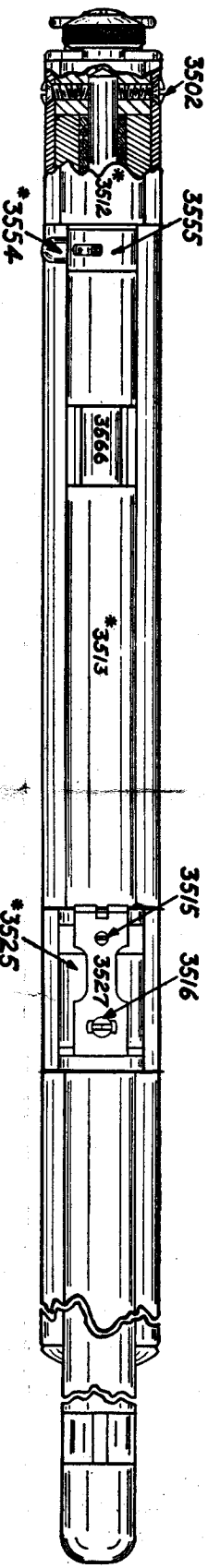
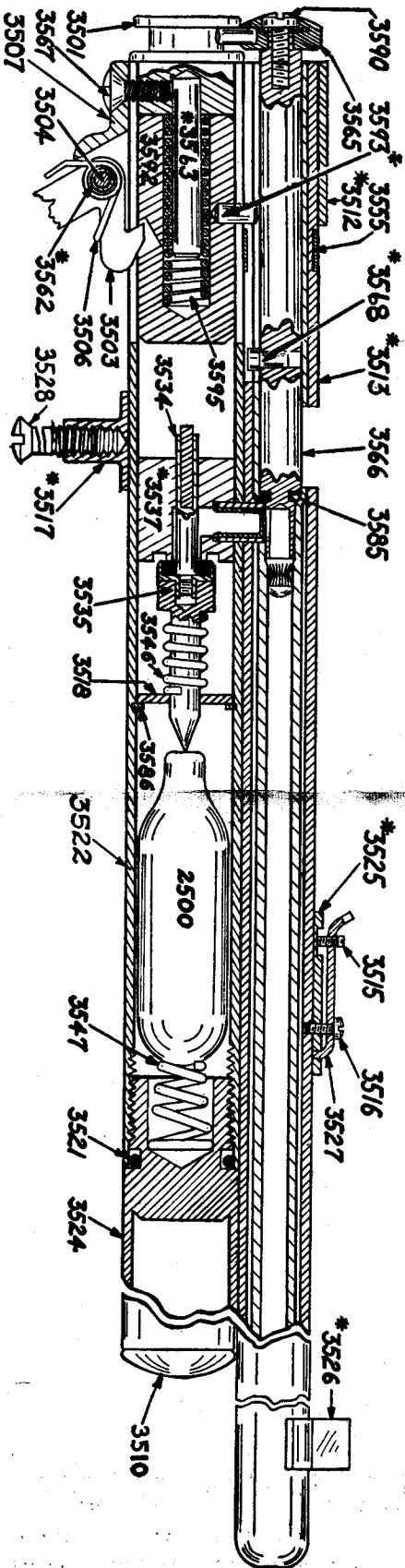
WE DO NOT REFINISH STOCKS or REBLUE any of our guns. We do not guarantee finish against wearing off, as this is often due to atmospheric conditions or acidity. You can obtain black acid proof lacquer or air drying enamel from paint store for refinishing gun barrel.

IF SHIPMENT IS RECEIVED IN BAD ORDER FROM US or you discover that the contents are damaged be sure to notify the Postmaster or Express Agent in your city immediately, also write us promptly and return the damaged goods to us PREPAID, and we will file claim for damages.

IF YOU INQUIRE ABOUT ORDERS for new guns or parts or tools and supplies, give us the date on which the order was sent in and enclose another list, also advise in what form payment was made—either by money order, bank draft, personal check, currency, coin or postage. If payment was made by money order or check, ask the postmaster or bank in your city to investigate whether or not the money was paid to us, and include this information when writing about it.

ENCLOSE U. S. STAMPED SELF-ADDRESSED ENVELOPE WITH ALL INQUIRIES TO FACTORY.

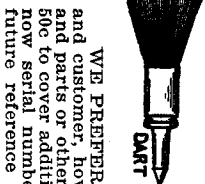
DO NOT RETURN STOCKS OR AMMUNITION TO FACTORY WITH REPAIR WORK.



AMMUNITION AND TOOLS

No. 2500 BENJAMIN SUPER CO₂ Gas Cartridges (box of 10) \$0.95
 BENJAMIN H-C LEAD PELLETS, Cal. .22 per 250..... 1.15
 BENJAMIN H-C LEAD PELLETS, Cal. .22 per 500..... 2.15
 BENJAMIN Steel Darts, Cal. .22 per dozen..... .90
 Targets, 50 ft. Pellet Rifle, per 100-50c, per 500-\$2, per 1000 3.50
 Lock Ring Extractor..... 1.00

ENCLOSE PAYMENT WITH ORDERS for ammunition or parts and tools and advise catalog number or model of gun. Send Money Order or Bank Draft if prompt shipment is wanted. Minimum transactions 75c. Include 25c for packing and postage with orders under \$5.00. Add 10% to orders \$5.00 and over for shipment in U.S.A. EXTRA FOR AIR MAIL SHIPMENTS. Include 2% Sales Tax with orders originating in MISSOURI. We will not accept Stamps; or personal checks under \$1.00. Allow time for personal checks to clear. Do not send currency or coin with orders unless letter is registered.



WE PREFER NOT TO SHIP C. O. D. as it involves additional expense for us and customer, however, if deposit is received with order for ammunition, also tools and parts or other supplies, we will forward shipment C. O. D. for balance including 50c to cover additional cost. Benjamin Super CO₂ Carbine Single Shot Gas Rifles are now serial numbered. We suggest that you keep a record of serial number for future reference if needed.

ENCLOSE U. S. STAMPED SELF-ADDRESSED ENVELOPE with all inquiries to factory.

BENJAMIN AIR RIFLE CO.

1525 So. 8th St.

St. Louis 4, Mo.

NO. 352 DESCRIPTION OF PARTS AND PRICE LIST

Parts marked * are not subject to replacement—do not order

2500	CO ₂ Gas Cartridge (box of 10).....	\$0.95	3529	Trigger Guard (not shown).....	.25
3501	Breech Cap.....	.50	3530	Trigger Guard Screws (not shown).....	.05
3502	Breech Cap Screws.....	.05	3534	Outlet Valve.....	.75
3503	Trigger (Includes 3562).....	.75	3535	Striker.....	.75
3504	Trigger Pin.....	.10	3537	Valve Seat.....	.15
3506	Trigger Spring.....	.25	3539	Gun Stock (not shown).....	3.75
3507	Trigger Mounting.....	.75	3546	Valve Spring.....	.50
3509	Stock Washer (not shown).....	.10	3547	Cartridge Spring.....	.15
3510	Forearm Plug.....	.25	3554	Safety Pin.....	.*
3512	Retainer.....	.*	3555	Slide Ring Safety.....	.75
3513	Shot Barrel.....	.*	3562	Trigger Bearing.....	.*
3515	Rear Sight Screw.....	.10	3563	Hammer Spring Guide.....	.*
3516	Rear Sight Hold-down Screw.....	.10	3565	Bolt Button.....	.25
3517	Assembly Stud.....	.*	3566	Bolt.....	1.50
3518	Striker Guide Washer.....	.15	3567	Trigger Mounting Screw.....	.15
3521	Forearm "O" Ring.....	.25	3568	Shot Advancer Guide Pin.....	.*
3522	Gun Barrel.....	.*	3585	Bolt "O" Ring.....	.25
3524	Forearm.....	1.25	3586	Striker Guide Washer.....	.25
3525	Forearm Mounting.....	.*	3590	Lock Ring.....	.25
3526	Front Sight.....	.*	3592	Bolt Button Screw.....	.10
3527	Rear Sight.....	1.00	3593	Hammer.....	.85
3528	Rear Sight Assembly Screw.....	.15	3595	Hammer Pin.....	.*
				Hammer Springs.....	.25