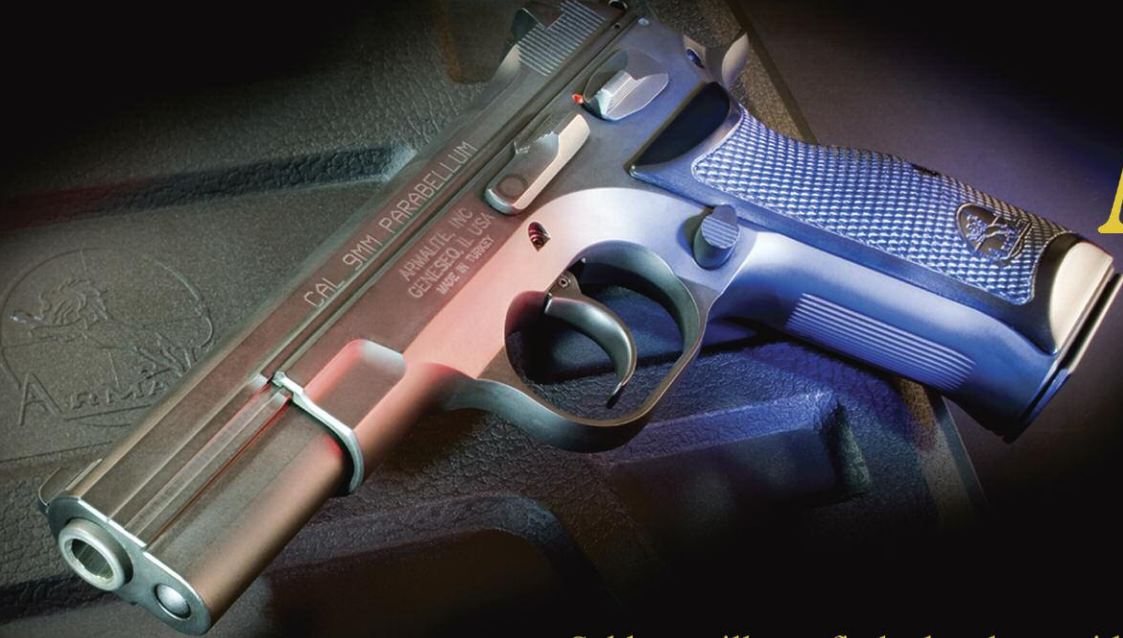




"A History of Innovation"

AMERICA'S FINEST FIREARMS,
FIREARM PARTS, AND ACCESSORIES

Catalog 14



AR-24™

Seldom will you find a handgun with the quality, beauty, and hand-filling fit of the AR-24. Available in compact and full-sized formats, the AR-24 will satisfy all your needs from family protection to hard Law Enforcement service. Call your dealer today... and settle for nothing less.



"A History of Innovation"



January 1, 2010

A NOTE FROM THE PRESIDENT...

The urgent market of late 2008/early 2009 has flooded the firearm market with a host of new “manufacturers.” Today you’re treated to a market absolutely packed with companies assuring you that all ARs are the same and that you’d be just as well off buying theirs.

In their cases, this may be true: you’d be surprised at the companies that buy parts from whomever’s delivering this week, have their names stamped on the receivers, and then sell them as their own production.

But it’s not true at ArmaLite.

ArmaLite isn’t just an assembly shop. We knew many years ago that buying a bunch of parts and somehow making them work wasn’t the key to production of perfect rifles. Instead, we began a long-term program to design a wide range of both bolt action and self-loading rifles and training devices. Rifles with the quality to satisfy the most expert customers.

We brought in a fine team of Engineers and more Quality Assurance staffers alone than the staff most of the generic companies have on their entire assembly lines. We designed our own prestige line of rifles to be the best at their tasks, not to be the cheapest. And then we built up a fine core of laboratory equipment and machine tools to design, test, and build our own rifles.

It’s what’s inside that counts, and ArmaLite takes considerable pains to assure that the details you can’t see make a difference in the accuracy, reliability, and durability of the rifles we build. Rifles that we build for ourselves. Rifles that we’re proud of. And rifles you can be proud of too.

In these days of political uncertainty you can have confidence that you’ll not only be proud to have a Genuine ArmaLite for your own use, but that some day you’ll be proud to hand off to another generation of proud and strong shooters.

Mark Westrom
President

AR-50™	2
AR-30™	3
AR-10®	4-9
National Match	5
(T) Rifles	6
SuperSASS	7
A4 SPR and Carbine	8
A2 Rifle and Carbine	9
M-15™	10-15
(T) Rifle	10
National Match	11
A4 SPR and Carbine	12
A2 Rifle and Carbine	13
Specialty Carbines	14
7.62MMx39/	15
6.8SPC	
AR-24™	16-17
Upper and Parts	18-27
Lowers and Parts	28-35
Magazines	36-37
Handguards	38-39
Accessories	36-47
Order Information	48



AR-50A1™

\$3,359 50A1B

50 Minute Rail, Scope, Scope Mount, Bipod Not Included

Rock solid and precise, the new AR-50A1™ provides a shooting experience unlike any other. The unique octagonal receiver and V-block bedding of the stock provide a solid platform for accurate long range shooting. The AR-50A1™ also features a multi-fluted muzzle brake that provides gentle recoil, and a removable buttstock for ease of transport. This rifle is not light, it's not quiet, but it sure is accurate.

Recommended Ammunition 700 - 750 grain

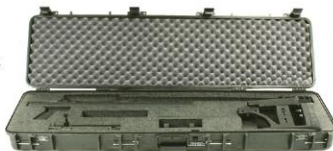
Caliber	Barrel	Receiver	Stock Group	Accuracy	Specs
.50 BMG	-30" Chrome Moly -8 Groove -RH 1:15" -Highly Efficient Muzzle Brake	-Modified Octagonal Form -Triple Front Locking Lug Bolt -Spring Loaded Automatic Ejector -Sako Type Extractor	-Metal Stock -Adjustable Cheek Piece and Buttstock -Single Stage Trigger	7 - 8 Inches @ 1000 Yards	59.5" Long 33.2 lbs.

Each Rifle Includes: 15 Minute Sight Rail, Owner's Manual, Ear Plugs, Limited Lifetime Warranty, and 1 package of Tylenol™ in case you forget your ear plugs

Gear Package Available!

Includes: Scope Mount, Pro-Shot Cleaning Kit, Starlight Case with foam cut inserts

\$399.00



Buttstock and scope must be removed to fit in case

Additional Accessories Available on Page 46

AR-50A1™

2



AR-30™

.338 LAPUA	\$1,882	30M338
.300 WIN MAG	\$1,742	30M300
.308 WIN	\$1,742	30M308

Scope Mount and Bipod Not Included

Based on the same revolutionary technology as its big brother the AR-50A1™, the AR-30™ is much smaller but offers the same amazing results. The AR-30's accuracy is undeniable no matter what caliber you choose. The AR-30™ features an octagonal receiver and a V-block bedding that eliminates movement of the action. Each features a rugged single stage trigger and a 5 round detachable magazine for fast reloads during matches.

Caliber	Barrel	Receiver	Stock Group	Accuracy	Specs
.338 LAPUA	<ul style="list-style-type: none"> - 26" Chrome Moly - 6 Groove - RH 1:10" - Multi-Flute Muzzle Brake 	<ul style="list-style-type: none"> - Modified Octagonal Form - Dual Front Locking Lug Bolt 	<ul style="list-style-type: none"> - Metal Stock - Rugged Single Stage Trigger 	1 MOA	48" Long 12 lbs.

Recommended ammunition in .308 is 168-175 grain, .300 is 168-180 grain, .338 is 250-300 grain

.300 WIN MAG

The AR-30™ .300 WIN MAG has the same specifications as the .338 LAPUA.

.308 WIN

The AR-30™ .308 WIN has the same specifications as the .338 LAPUA with the exception of having a 4 groove barrel.

Each Rifle Includes: 10 Minute Sight Rail, 5 Round Magazine, Bi-pod Adapter, Owner's Manual, and a Limited Lifetime Warranty

Additional Accessories Available on Pages 46



AR-10[®] and M-15[™] Standard of Excellence

There are major differences between ArmaLite rifles and those of other rifle manufacturers. The parts ArmaLite offers as standard product are what others charge extra for. ArmaLite stands alone on this: offering extras as standard product. That's the ArmaLite value. The following list shows a few of the standard features ArmaLite gives you at no extra charge. Add them all up and you will find what makes an ArmaLite. What you add to it is what makes it YOUR ArmaLite.

Standard ArmaLite Equipment

- ❑ Hard Coat Anodized Per Mil Spec for all Aluminum Parts
- ❑ Phosphate Steel Parts Per Mil Spec
- ❑ Forward Assist Upper
- ❑ Dust Cover
- ❑ Shell Deflector
- ❑ Forged Upper and Lower Receiver
- ❑ Upper Receiver with Mil Spec Picatinny Rail
- ❑ M4 feed ramps (all models)
- ❑ Steel Barrel Chambers and Bores Chrome Line Per MIL-C-23422D
- ❑ Steel Barrels are Double Lapped
- ❑ Stainless Steel Barrels are Triple Lapped
- ❑ Steel Barrels Phosphate (Under Gas Block As Well)
- ❑ M-15[™] Barrels (CMV) Chrome Moly Vanadium (MIL-B-11595-E)
- ❑ GI Receiver Extension Tubes
- ❑ 2 Stage Trigger
- ❑ Phosphate Steel Bolt Per Mil Spec
- ❑ Phosphate Steel Bolt Carrier Per Mil Spec
- ❑ Bolt Carrier Chrome Lined on the Inside
- ❑ Load Levelled Bolt
- ❑ A2 Flash Suppressor (Birdcage)
- ❑ Bipod/Sling Swivel Installed on (T) Models
- ❑ High Cap A2 Buttstock, Larger Storage Than GI Stock
- ❑ All Rifles Test Fired Before Passing Inspection
- ❑ All Complete Upper Assemblies Test Fired Before Shipping
- ❑ Dry Film Interior Surface of Upper Receiver



AR-10 National Match™

\$2,365 10A4BNMF

In one of the best kept secrets of National Match history, the Army Marksmanship Unit has been shooting AMU-built National Match grade AR-10's for the past two years. Their work has culminated with the acceptance of the ArmaLite AR-10NM™ for use "across the board" in NRA Service Rifle competition.

The result is the new ArmaLite AR-10NM™ rifle. Superbly accurate, this rifle is ready for long distance match domination. Equipped with ArmaLite's National Match Two Stage Trigger, matched receivers, extended elevation NM sights installed into ArmaLite detachable sight bases, and ArmaLite's exclusive stainless steel match barrel mated to ArmaLite's MIL STD 1913 Rail Handguard, the AR-10NM™ will be ready for its debut for 2010 matches.

ArmaLite recommends 150 - 175 grain bullets for all AR-10® .308 rifles with 168 grain being ideal

	Barrel	Upper	Lower	Accuracy	Specs
7.62 MM NATO	<ul style="list-style-type: none"> - 20" Triple Lapped - Stainless Steel Match - RH 1:11.25" - Stainless A2 Flash Suppressor 	<ul style="list-style-type: none"> - Forged Flattop Receiver with Picatinny Rail and Forward Assist - Adjustable Gas Block - NM Quad Rail Handguard (freefloat) 	<ul style="list-style-type: none"> - Forged Lower Receiver - Finely Tuned 2 Stage NM Trigger 	1 MOA	39.5" Long 9.4 lbs

Each rifle includes: Two 10 Round Magazine, Detachable National Match Carry Handle and Front Sight, USMC Quick Adjust Sling, Sling Swivel Mount, Owner's Manual, and a Limited Lifetime Warranty

Also Available In Assault Weapons Ban (AWB) Configuration

Additional Accessories Available on Pages 36-47

AR-10 National Match™

AR-10(T)TM

The target version of ArmaLite's famous AR-10® features a triple lapped stainless steel match grade barrel which contributes to the rifle's superb accuracy. Equipped with a new light weight freefloat handguard, Picatinny railed upper receiver and gas block. The (T) is a perfect rifle for anyone who desires the very best in accuracy. All AR-10® models are equipped with forward assist.

Lightweight Aluminum Handguards. Ideal for target, hunting, and all shooting sports where accuracy and functionality are a necessity.



AR-10(T)TM
\$1,892 10TNF

Also Available in Green 10TNF
 Scope and Scope Mount Not Included.



AR-10 .338 FederalTM
\$1,912 10TNF338

Scope and Scope Mount Not Included.

ArmaLite recommends 150 - 175 grain bullets for all AR-10® .308 rifles with 168 grain being ideal

ArmaLite recommends 185 - 225 grain bullets for the AR-10 .338 FederalTM rifle

Caliber	Barrel	Upper	Lower	Accuracy	Specs
7.62 MM NATO	- 20" Triple Lapped - Stainless Steel Match - RH 1:11.25"	- Forged Flattop Receiver with Picatinny Rail and Forward Assist - Gas Block with Rail - Lightweight Aluminum Handguard (freefloat)	- Forged Lower Receiver - Finely Tuned Two Stage NM Trigger - Hi-Cap Stock TM	1 MOA	39.5" Long 9.4 lbs
.338 Federal	- 22" Triple Lapped - Stainless Steel Match - RH 1:10"	- Forged Flattop Receiver with Picatinny Rail and Forward Assist - Gas Block with Rail - Lightweight Aluminum Handguard (freefloat)	- Forged Lower Receiver - Finely Tuned Two Stage NM Trigger - Hi-Cap Stock TM	1 MOA	41.5" Long 9.5 lbs

Each rifle includes: Two 10 round Magazines, Hard Case, Owner's Manual, and a Limited Lifetime Warranty

Additional Accessories Available on Pages 36-47



AR-10 SuperSASS™

\$3,078 10SBF

Scope, Scope Mount and Bipod
Not Included



The SuperSASS™ (Semi-Automatic Sniper System) was originally designed for use by the US Military but a civilian model is available to discerning shooters who demand superb accuracy. The SuperSASS has a quad railed free float handguard, a fully adjustable stock and an adjustable gas system built to accommodate suppressed and unsuppressed fire. The SuperSASS is the ultimate tactical rifle system on the market.



Harris Bi-pod S-LM LAW2040 \$127.00
Starlight Case, Rifle 10904020R \$345.00

All AR-10® models are equipped with forward assist.

ArmaLite recommends 150 - 175 grain bullets for all AR-10 .308 rifles with 168 grain being ideal

	Barrel	Upper	Lower	Accuracy	Specs
7.62 MM NATO	<ul style="list-style-type: none">- 20" Triple Lapped Ceramic Coated- Stainless Steel Match- RH 1:11.25"- Threaded 5/8-24- A2 Flash Suppressor	<ul style="list-style-type: none">- Forged Flattop Receiver with Picatinny Rail and Forward Assist- Adjustable Gas Block- SASS Quad Rail Handguard (freefloat)	<ul style="list-style-type: none">- Forged Lower Receiver- Finely Tuned Two Stage NM Trigger- Fully Adjustable Sniper Stock	1 MOA	39.5" Long 9.4 lbs

Each rifle includes: One 10 Round Magazine, One 20 Round Magazine, USMC Quick Adjust Sling, Sling Swivel Mount, Owner's Manual, and a Limited Lifetime Warranty

Additional Accessories Available on Pages 36-47

AR-10 SuperSASS™

AR-10A4 SPR®

The AR-10A4 SPR® (Special Purpose Rifle) and AR-10A4™ Carbine combine the rugged dependability of the AR-10® with the flexibility provided by the flattop Picatinny rail on the receiver and gas block. This line provides a perfect platform for all sighting options without sacrificing accuracy. The AR-10A4™ Carbine is compact, heavy hitting, rugged and versatile. The ArmaLite designed mid-length handguard and gas tube system provides optimal gas pulse and reliability. All AR-10® models are equipped with forward assist.



AR-10A4 SPR®

\$1,557 10A4F

Scope and Scope Mount Not Included
Also Available in Black 10A4BF



AR-10A4™ Carbine

\$1,557 10A4CBF

Scope and Sights Not Included
Also Available in Green 10A4CF

ArmaLite recommends 150 - 175 grain bullets for all AR-10® .308 rifles with 168 grain being ideal

	Caliber	Barrel	Upper	Lower	Accuracy	Specs
AR-10A4 SPR®	7.62 MM NATO	- 20" Double Lapped Chrome Lined - Threaded 5/8-24 - RH 1:11.25" - Flash Suppressor	- Forged Flattop Receiver with Picatinny Rail and Forward Assist - Gas Block with Rail	- Forged Lower Receiver - Tactical Two Stage Trigger - Hi-Cap Stock™	1.5 - 2 MOA	41" Long 9.6 lbs
AR-10A4™ Carbine	7.62 MM NATO	- 16" Double Lapped Chrome Lined - Threaded 5/8-24 - RH 1:11.25" - Flash Suppressor	- Forged Flattop Receiver with Picatinny Rail and Forward assist - Gas Block with Rail	- Forged Lower Receiver - Tactical Two Stage Trigger - 6 Position Collapsing Stock with Ext. Tube	2 - 2.5 MOA	34.5" Collapsed 38" Extended 9 lbs

Each rifle includes: One 10 Round Magazine, One 20 Round Magazine, Sling, Hard Case, Owner's Manual, and a Limited Lifetime Warranty

Also available in Assault Weapon Ban (AWB) Configuration

Additional Accessories Available on Pages 36-47





AR-10A2™

\$1,561 10A2F

Also Available in Black 10A2BF

Built in the standard A2 configuration, the AR-10A2™ features a forged fixed handle upper receiver with forward assist and an A2 front sight. Built to intense quality standards and featuring the latest AR technologies on the market. The AR-10A2™ is a true work of art.



AR-10A2™ Carbine

\$1,561 10A4CBF

Also Available in Green 10A2CF

The AR-10A2™ Carbine features a 16 inch barrel and collapsible stock which are combined with ArmaLite's innovative mid-length handguard and gas flow technologies. The heavy caliber carbine is compact, reliable and accurate. Expect nothing less from our carbines.

ArmaLite recommends 150 - 175 grain bullets for all AR-10® .308 rifles with 168 grain being ideal

	Caliber	Barrel	Upper	Lower	Accuracy	Specs
AR-10A2™	7.62 MM NATO	<ul style="list-style-type: none"> - 20" Double Lapped Chrome Lined - Threaded 5/8-24 - RH 1:11.25" - Flash Suppressor 	<ul style="list-style-type: none"> - Forged A2 Receiver Forward Assist -.70/.195 Battle Sight - A2 Front sight 	<ul style="list-style-type: none"> - Forged Lower Receiver - Tactical Two Stage Trigger - Hi-Cap Stock™ 	1.5 - 2 MOA	41" Long 9.6 lbs
AR-10A2™ Carbine	7.62 MM NATO	<ul style="list-style-type: none"> - 16" Double Lapped Chrome Lined - Threaded 5/8-24 - RH 1:11.25" - Flash Suppressor 	<ul style="list-style-type: none"> - Forged A2 Receiver Forward Assist -.70/.195 Battle Sight - A2 Front sight 	<ul style="list-style-type: none"> - Forged Lower Receiver - Tactical Two Stage Trigger - 6 Position Collapsing Stock with Ext. Tube 	2 - 2.5 MOA	34.5" Collapsed 38" Extended 9 lbs

Each rifle includes: One 10 Round Magazine, One 20 Round Magazine, Sling, Hard Case, Owner's Manual, and a Limited Lifetime Warranty

Also available in Assault Weapon Ban (AWB) Configuration

Additional Accessories Available on Pages 36-47





M-15(T)TM

20" Barrel \$1,296 15A4BN

Scope and Scope Mount Not Included
Also Available in Green 15A4TN

When pinpoint accuracy is demanded, look no further than the M-15(T)TM. This rifle features a triple lapped match grade barrel delivering outstanding accuracy. M-15(T)TM features a freefloat handguard, National Match trigger, and flattop Picatinny railed upper receiver and gas block.

ArmaLite recommends 69-80 grain bullets for its M-15 T rifle

	Caliber	Barrel	Upper	Lower	Accuracy	Specs
M-15(T) TM	.223 Wylde	<ul style="list-style-type: none"> - 20" Triple Lapped - Stainless Steel Match - RH 1:8" 	<ul style="list-style-type: none"> - Forged Flattop Receiver with Picatinny Rail - Gas Block with Rail - Ultra Lightweight Aluminum Handguard 	<ul style="list-style-type: none"> - Forged Lower Receiver - Finely Tuned Two Stage NM Trigger - Hi-Cap StockTM 	1 MOA	39.5" Long 8.6 lbs

Each rifle includes: One 10 Round Magazine, Hard Case, Owner's Manual, and a Limited Lifetime Warranty

Additional Accessories Available on Pages 36-47

M-15(T)TM

10

Year after year more national level shooters have chosen ArmaLite National Match rifles over other brands. With our history of support to the National Matches, it's no surprise. When National Match shooters intend to win, they look to ArmaLite.

This isn't by accident. ArmaLite's President is a veteran competitor, wearing the President's 100 tab for both the Distinguished Rifle and Distinguished Pistol Shot Badges, and the German Meisternadel in Gold for Pistol. He was also one of the early developers of the National Match M16.

Developed for the National Match shooter, the ArmaLite M-15A4 National Match SPR[®] allows versatility in sighting for other applications while conforming to match regulations by including the detachable NM carry handle.



M-15A2NM™

\$1,388 15A2NM

Also Available in Black 15A2BNM



M-15A4NM SPR[®]

\$1,413 15A4NM

NM Carry Handle included
Also Available in Black 15A4BNM

ArmaLite recommends 69-80 grain bullets for M-15™ National Match rifles

M-15A4NM SPR[®] M-15A2NM™

Caliber	Barrel	Upper	Lower	Accuracy	Specs
.223 Wylde	<ul style="list-style-type: none"> - 20" Triple Lapped - Stainless Steel Match - RH 1:8" - Flash Suppressor 	<ul style="list-style-type: none"> - Forged A2 Receiver - NM Hooded Rear Sight - A2 NM Front Sight - NM Free Float Sleeve 	<ul style="list-style-type: none"> - Forged Lower Receiver - Finely Tuned Two Stage NM Trigger - Hi-Cap Stock™ 	1 MOA	39.5" Long 9 lbs
.223 Wylde	<ul style="list-style-type: none"> - 20" Triple Lapped - Stainless Steel Match - RH 1:8" - Flash Suppressor 	<ul style="list-style-type: none"> - Forged Flattop Receiver with Picatinny Rail - NM Detachable Carry Handle - A2 NM Front Sight - NM Free Float Sleeve 	<ul style="list-style-type: none"> - Forged Lower Receiver - Finely Tuned Two Stage NM Trigger - Hi-Cap Stock™ 	1 MOA	39.5" Long 9 lbs

Each rifle includes: One 10 Round Magazine, USMC Quick Adjust Sling, Hard Case, Owner's Manual, and a Limited Lifetime Warranty

Also available in Assault Weapon Ban (AWB) Configuration

Additional Accessories Available on Pages 36-47

M-15™ National Match
11

ArmaLite's Special Purpose Rifle comes from the factory ready to perform.

The M-15A4 SPR® is an efficient platform on which to build multiple sighting options. Light recoiling and dead accurate, the SPR line accepts detachable front and rear sights, carry handle or a host of scope mounts or devices conforming to the MIL STD 1913 (Picatinny) rail.

The M-15A4™ Carbine is designed with the mid-length handguard and gas tube technology. It provides an optimal gas pulse to power the 16" system so reliability is never an issue, all the while providing a comfortable grip.



M-15A4 SPR®

\$1,060 15A4

Scope and Mount Not Included
Also Available in Black 15A4B



M-15A4™ Carbine

\$1,060 15A4CB

Scope, Mount, and Backup Front and Rear Sights Not Included
Also Available in Green 15A4C

ArmaLite recommends 52-69 grain bullet for its M-15™ rifles

M-15A4 SPR®

M-15A4™ Carbine

Caliber	Barrel	Upper	Lower	Accuracy	Specs
5.56 MM NATO	- 20" Double Lapped Chrome Moly Vanadium Steel with Chrome Lined Bore and Chamber - Threaded 1/2-28 - RH 1:9"	- Forged Flattop Receiver with Picatinny Rail - Gas Block with Rail	- Forged Lower Receiver - Tactical Two Stage Trigger - Hi-Cap Stock™	1.5-2 MOA	39.5" Long 7.8 lbs
5.56 MM NATO	- 16" Double Lapped Chrome Moly Vanadium Steel with Chrome Lined Bore and Chamber - Threaded 1/2-28 - RH 1:9"	- Forged Flattop Receiver with Picatinny Rail - Gas Block with Rail	- Forged Lower Receiver - Tactical Two Stage Trigger - 6 Position Collapsing Stock with G.I. Diameter	1.5-2.5 MOA	32.25" Collapsed 35.5" Extended 7 lbs

Each rifle includes: One 30 Round Magazine, Sling, Hard Case, Owner's Manual, and a Limited Lifetime Warranty

Also available in Assault Weapon Ban (AWB) Configuration

Additional Accessories Available on Pages 36-47

M-15A4 SPR®



M-15A2™

\$1,150 15A2

Also Available in Black 15A2B

The design that has stood the test of time. The M-15A2™ is ArmaLite's semi-automatic civilian version of the famed M16A2 Service Rifle.

Originated by the desire for a rifle that was durable, reliable, weather resistant, long lasting and dead on accurate; the A2 is an outstanding tactical rifle design! It is excellent for law enforcement, entry level service rifle training, hunting or collecting. The double-lapped chrome lined barrel is the basis of ArmaLite's superb accuracy.

The M-15A2™ Carbine is a close quarters combat rifle. Its 16 inch barrel, mid-length gas system and handguard provide reliability, accuracy and comfortable grip.



M-15A2™ Carbine

\$1,150 15A2CB

Also Available in Green 15A2C

ArmaLite recommends 52-69 grain bullet for its M-15™ rifles

	Caliber	Barrel	Upper	Lower	Accuracy	Specs
M-15A2™	5.56 MM NATO	- 20" Double Lapped Chrome Moly Vanadium Steel with Chrome Lined Bore and Chamber - Threaded 1/2-28 - RH 1:9"	- Forged A2 Receiver - .70/.195 Battle Sight - A2 Front Sight	- Forged Lower Receiver - Tactical Two Stage Trigger - Hi-Cap Stock™	1.5-2 MOA	39.5" Long 8.2 lbs
M-15A2™ Carbine	5.56 MM NATO	- 16" Double Lapped Chrome Moly Vanadium Steel with Chrome Lined Bore and Chamber - Threaded 1/2-28 - RH 1:9"	- Forged A2 Receiver - .70/.195 Battle Sight - A2 Front Sight	- Forged Lower Receiver - Tactical Two Stage Trigger - 6 Position Collapsing Stock with G.I. Diameter Ext. Tube	1.5-2.5 MOA	32.25" Collapsed 35.5" Extended 7 lbs

Each rifle includes: One 30 Round Magazine, Sling, Hard Case, Owner's Manual, and a Limited Lifetime Warranty

Also available in Assault Weapon Ban (AWB) Configuration

Additional Accessories Available on Pages 36-47



The M-15A4CBA2K - A combination carbine. The perfect platform for many tactical applications. We have combined the sighting options from the A2 and A4 carbines for flexibility. The mid-length handguard and gas tube technologies assure perfectly tuned gas flow for reliability and superior look and feel.

Utilized by agencies all over the country and now available to all tactical shooting enthusiasts, the ArmaLite LEC15A4CBK features the M203 step down barrel for Law Enforcement accessories. The A2 front sight combined with our flattop upper receiver and Picatinny rail accepts multiple sighting platforms.



M-15A4CBA2K

\$1,017 15A4CBA2K

Optional Carry Handle on Page 27



Law Enforcement Carbine

\$975 LEC15A4CBK

Optional Carry Handle on Page 27

ArmaLite recommends 52-69 grain bullet for its M-15™ rifles

	Caliber	Barrel	Upper	Lower	Accuracy	Specs
M-15A4CBA2K	5.56 MM NATO	- 16" Double Lapped Chrome Moly Vanadium Steel with Chrome Lined Bore and Chamber - Threaded 1/2-28 - RH 1:9"	- Forged Flattop Receiver with Picatinny Rail - A2 Front Sight - 8" Mid-length Handguard	- Forged Lower Receiver - Tactical Two Stage Trigger - 6 Position Collapsing Stock with G.I. Diameter Ext. Tube	1.5-2.5 MOA	32.25" Collapsed 35.5" Extended 7 lbs
LEC15A4CBK	5.56 MM NATO	- 16" Double Lapped Chrome Moly Vanadium Steel with Chrome Lined Bore and Chamber - Threaded 1/2-28 - RH 1:9"	- Forged Flattop Receiver with Picatinny Rail - A2 Front Sight - 6" Handguards	- Forged Lower Receiver - Tactical Two Stage Trigger - 6 Position Collapsing Stock with G.I. Diameter Ext. Tube	1.5-2.5 MOA	32.25" Collapsed 35.5" Extended 6.5 lbs

Each rifle includes: One 30 Round Magazine, Sling, Hard Case, Owner's Manual, and a Limited Lifetime Warranty

Also available in Assault Weapon Ban (AWB) Configuration

Additional Accessories Available on Pages 36-47



M-15-6.8™ Carbine

\$1,107 15A4C-6.8

Scope and Sights Not Included
Also Available in Black 15A4CB-6.8



M-15-7.62x39™ Carbine

\$1,107 15A4C-7.62X39

Optics and Sights Not Included
Also Available in Black
15A4CB-7.62X39

Built on the same platform as the tactical M-15A4 Carbine, ArmaLite offers two new calibers. They are built with the mid-length handguard and gas system to provide the best in form and function.

You now have more caliber options with the release of these two rifles. Both give you heavy bullet advantages in a compact, M-15™ package.

The 6.8 SPC II provides a heavier bullet for customers preferring it to 5.56MM bullets.

The 7.62X39 is widely used and well respected around the world. Availability and price of this round should not be an issue.

ArmaLite recommends a 110-115 grain for the 6.8 and 123 grain for the 7.62X39

M15-6.8™

M15-7.62X39™

Caliber	Barrel	Upper	Lower	Accuracy	Specs
6.8 SPC II	<ul style="list-style-type: none"> - 16" Double Lapped Chrome Moly Vanadium Steel with Chrome Lined Bore and Chamber and M203 Step Down - Threaded 5/8-24 - SPC II Chamber - RH 1:11" 	<ul style="list-style-type: none"> - Forged Flattop Receiver with Picatinny Rail - Gas Block with Rail 	<ul style="list-style-type: none"> - Forged Lower Receiver - Tactical Two Stage Trigger - 6 Position Collapsing Stock with G.I. Diameter Ext. Tube 	1.5-2 MOA	33" Collapsed 36.25" Extended 7 lbs
7.62MMx39	<ul style="list-style-type: none"> - 16" Double Lapped Chrome Moly Vanadium Steel with Chrome Lined Bore and Chamber and M203 Step Down - Threaded 5/8-24 - RH 1:10" 	<ul style="list-style-type: none"> - Forged Flattop Receiver with Picatinny Rail - Gas Block with Rail 	<ul style="list-style-type: none"> - Forged Lower Receiver - Tactical Two Stage Trigger - 6 Position Collapsing Stock with G.I. Diameter Ext. Tube 	1.5-2.5 MOA	33" Collapsed 36.25" Extended 7 lbs

Each rifle includes: One 10 Round Magazine, Sling, Hard Case, Owner's Manual, and a Limited Lifetime Warranty

Additional Accessories Available on Pages 36-47

M-15™ (7.62x39, M15 and 6.8 SPC)

15

ArmaLite has a long history of providing the latest and greatest rifles in the world and it wasn't until recently that a pistol was discovered that could qualify as a worthy addition to the product line. The AR-24 incorporates traditional lines, innovative design and state-of-the-art factory production. The slide, frame and barrel are fully machined from ordnance steel forgings which strengthens and results in the best possible slide to frame fit on the market.

Full Size



AR-24-15™
Standard Full Size

Call 24-15
For Price 24-10 (AWB Configuration)



AR-24-15C™
Combat Custom

Call 24-15C
For Price 24-10C (AWB Configuration)

Compact



AR-24K-13™
Standard Compact

Call 24K-13
For Price 24K-10 (AWB Configuration)



AR-24K-13C™
Combat Custom Compact

Call 24K-13C
For Price 24K-10C (AWB Configuration)

AR-24-15™ Standard Full Size

Caliber: 9mm	Sights:	Fixed Front and Rear Sight Three Dot Sight System
Weight: 34.9 oz.	Trigger:	Single/Double Action
Overall Length: 8.27"	Trigger Pull:	12 lbs. Double Action 5.5 lbs. Single Action
Overall Height: 5.62"	Features:	Serrations on Front and Backstrap
Rifling: 6 Groove, RH 1:16"	Safety:	Trigger Sear Block Safety
Barrel: 4.67"		

AR-24K-13™ Standard Compact

Caliber 9mm	Sights:	Fixed Front and Rear Sight Three Dot Sight System
Weight: 33.4 oz.	Trigger:	Single/Double Action
Overall Length: 7.46"	Trigger Pull:	12 lbs. Double Action 5.5 lbs. Single Action
Overall Height: 5.11"	Features:	Serrations on Front and Backstrap
Rifling: 6 Groove, RH 1:16"	Safety:	Trigger Sear Block Safety
Barrel: 3.89"		

AR-24-15C™ Combat Custom

All features are the same as standard full size except the following:

Sights:	Fixed Front w/ Adjustable Rear Sight Three Dot Sight System
Features:	Checkered Front and Backstrap

AR-24K-13C™ Combat Custom Compact

All features are the same as standard compact size except the following:

Sights:	Fixed Front w/ Adjustable Rear Sight Three Dot Sight System
Features:	Checkered Front and Backstrap

Each pistol includes: Two 15 Round Magazines (13 round for the compacts), Pistol Case, Pistol Lock, Owner's Manual, and Cleaning Brushes

**10 Round Models Available for Assault Weapon Ban (AWB) States,
AWB Models 24-10, 24-10C, 24K-10, and 24K-10C**

AR-24™ Pistol Magazines

AR-24 Pistol 15 Round Magazine	PM2415	\$30.00
AR-24K Compact 13 Round Magazine	PM2413	\$30.00
AR-24 Pistol 10 Round Magazine	PM2410	\$30.00
AR-24K Compact 10 Round Magazine	PM2411	\$30.00



Full



Compact
(Includes extended base pad)

AR-10® Complete Upper Assembly

There is no faster or more economical way to convert your ArmaLite for other uses. Each ArmaLite complete upper assembly includes a forged upper receiver assembly, handguards, bolt carrier group and charging handle assembly. We test fire all of our Complete Upper Assemblies before shipping.

AR-10A2™ Upper Assembly

Forged fixed handle upper receiver with forward assist and A2 front housing. With a double lapped chrome lined barrel RH 1:11.25". Available in green or black.



20" AR-10A2™

U10A2F green **\$790**
U10A2BF black **\$790**



16" AR-10A2™ Carbine

U10A2CF green **\$790**
U10A2CBF black **\$790**

AR-10A4™ Upper Assembly

Forged flat top receiver with Picatinny rail and forward assist. Barrel is double lapped chrome lined RH 1:11.25". Available in green or black.



20" AR-10A4™

U10A4F green **\$786**
U10A4BF black **\$786**



16" AR-10A4™ Carbine

U10A4CF green **\$786**
U10A4CBF black **\$786**

AR-10(T)™ Upper Assembly

Forged flattop receiver with Picatinny rail, light weight aluminum handguard and forward assist. AR-10T™ barrel is 20" triple lapped stainless steel with 1:11.25" RH. The AR-10T 338 Federal™ is 22" triple lapped stainless steel with 1:10" RH.



U10TF green **\$998**
U10TBF black **\$998**



U10TBF338 black **\$1098**

Also Available in (AWB) Assault Weapon Ban Configurations

AR-10® Barrel Assembly

AR-10 Super SASS™ Upper Assembly

NEW

Forged flattop receiver with Picatinny rail, quad rail handguard, adjustable gas system and forward assist. Barrel is 20" triple lapped stainless steel with 1:11.25" and an A2 flash suppressor.



10002025F black \$1,814

AR-10 National Match™ Upper Assembly

NEW

Forged flattop receiver with Picatinny rail, free float quadrail handguard and forward assist. Barrel is 20" triple lapped stainless steel with 1:11.25" and stainless steel flash suppressor.



U10A4BNMF black \$1,049

Barrel Assemblies ArmaLite's barrels are custom made for extreme accuracy and long life. All complete barrel assemblies includes a full front sight housing or Picatinny rail, barrel nut, flash suppressor, and handguard cap. Carbine models require ArmaLite's mid-length handguard.

A2 Barrel Assembly Rifle length and carbine barrels are chrome lined RH 1:11.25".



20" B10A2 \$350



16" B10A2C \$350

A4 Barrel Assembly Rifle length and carbine barrels are chrome lined RH 1:11.25".



20" B10A4 \$350



16" B10A4C \$350

A4(T) Barrel Assembly 20" stainless steel heavy barrel RH 1:11.25"



B10TU-20 \$425

.338 Federal Barrel Assembly 1:10"RH



B10T338 \$510

Also Available in (AWB) Assault Weapon Ban Configurations

AR-10® (7.62MM NATO) Uppers, Barrels

M-15™ Complete Upper Assemblies

Each ArmaLite Upper Assembly includes a forged upper receiver, handguards, bolt carrier group and charging handle assembly. All steel barrels are chrome lined, double lapped, chrome moly vanadium steel. We test fire all of our complete Upper Assemblies before shipping.

M-15A2™ Upper Assembly

Forged fixed handle with forward assist and an A2 front sight housing. Barrel is 1:9" RH twist. Available in black or green.



20" M-15A2™

U15A2 green \$525
U15A2B black \$525



16" M-15A2™ Carbine

U15A2C green \$525
U15A2CB black \$525

M-15A4™ Upper Assembly

Forged flat top receiver with Picatinny rail and forward assist. Barrel is 1:9" RH twist. Available in black or green.



20" M-15A4™

U15A4 green \$500
U15A4B black \$500



16" M-15A4™ Carbine

U15A4C green \$500
U15A4CB black \$500

M-15A4CBA2™ Upper Assembly Combination Carbines

Forged flat top receiver with Picatinny rail, forward assist and A2 front sight housing. Barrel is 1:9" RH twist.



16" M-15A4CBA2™

U15A4CBA2 black \$515



16" LEC-15™ Carbine

EK0446B black \$585

M-15A4™ Upper Assembly in different calibers

Forged flat top receiver with Picatinny rail, forward assist. 6.8 barrel is 1:11" RH twist with step down barrel. 7.62X39 barrel is 1:10" RH twist with step down barrel. Available in black or green.



16" 6.8 SPC Upper

U15A4C-6.8 green \$650
U15A4CB-6.8 black \$650



16" 7.62X39 Upper

U15A4C-7.62X39 green \$650
U15A4CB-7.62X39 black \$650

Available in (AWB) Assault Weapon Ban Configurations

M-15A4(T) Upper Assembly

Forged flattop receiver with Picatinny rail, ultralight aluminum handguard and forward assist. The barrel is a 20" triple lapped stainless steel with RH 1:8" Available in black or green.



U15A4T green **\$600**
U15A4TB black **\$600**

National Match Upper Assembly

Forged fixed handle with National Match front and rear sights and apertures. A 20" triple lapped stainless steel barrel with a 1:8 twist and free float sleeve. Available in black or green



U15A2NM green **\$730**
U15A2BNM black **\$730**



U15A4NM green **\$675**
U15A4BNM black **\$675**



U15A4NM-2 green **\$789**
U15A4BNM-2 black **\$789**

barrel not threaded

Available in (AWB)
Assault Weapon Ban Configurations

Barrel Assemblies

ArmaLite's barrels are custom made for extreme accuracy and long life. All complete barrel assemblies include a full front sight housing or Picatinny rail, barrel nut, flash suppressor and handguard cap. Midlength carbine models require ArmaLite's mid-length handguard. All steel barrels are (CMV) chrome moly vanadium steel that is chrome lined and double lapped. Stainless steel barrels are triple lapped.

A2 Barrel Assembly (CMV) Chrome lined RH 1:9"



20" **B15A2** **\$255**



16" **B15A2C** **\$255**

LEC Barrel Assembly (CMV) Chrome lined RH 1:9"



16" **EC0073SOF** **\$255**

A4 Barrel Assembly (CMV) Chrome lined RH 1:9"



20" **B15A4** **\$261**



16" **B15A4C** **\$261**

6.8 and 7.62X39 Barrel Assembly (CMV) Chrome lined 6.8SPC-1:11"RH, 7.62X39-1:10"



16" 6.8 SPC **B15A4C-6.8** **\$275**

16" 7.62X39 **B15A4C-7.62X39** **\$275**

NM Barrel Assembly

20" stainless steel heavy barrel, RH 1:8, with A2 front sight with National Match sights post, with or without flash suppressor. Barrel without suppressor is not threaded.



20" **B15A2NM** **\$260**



20" **B15A2S** **\$290**

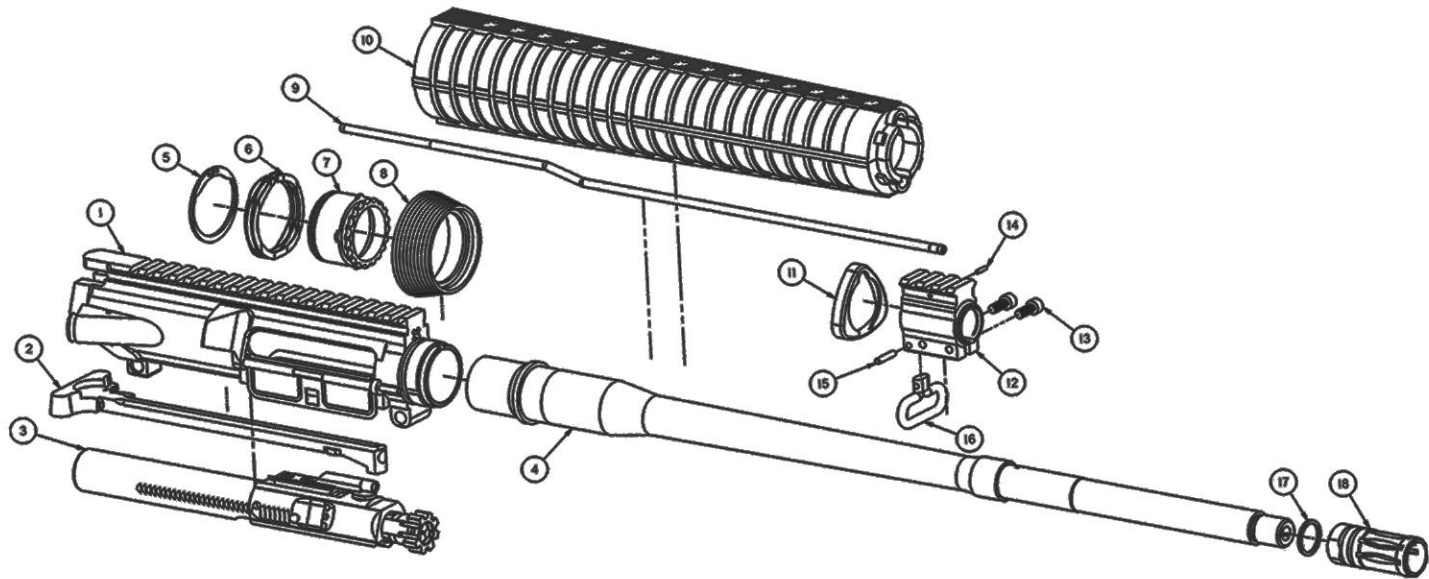
A4(T) Barrel Assembly 20" stainless steel heavy barrel RH 1:8"



20" **B15T-20** **\$297**

M-15 (5.56MM NATO)
Upplers, and Barrels

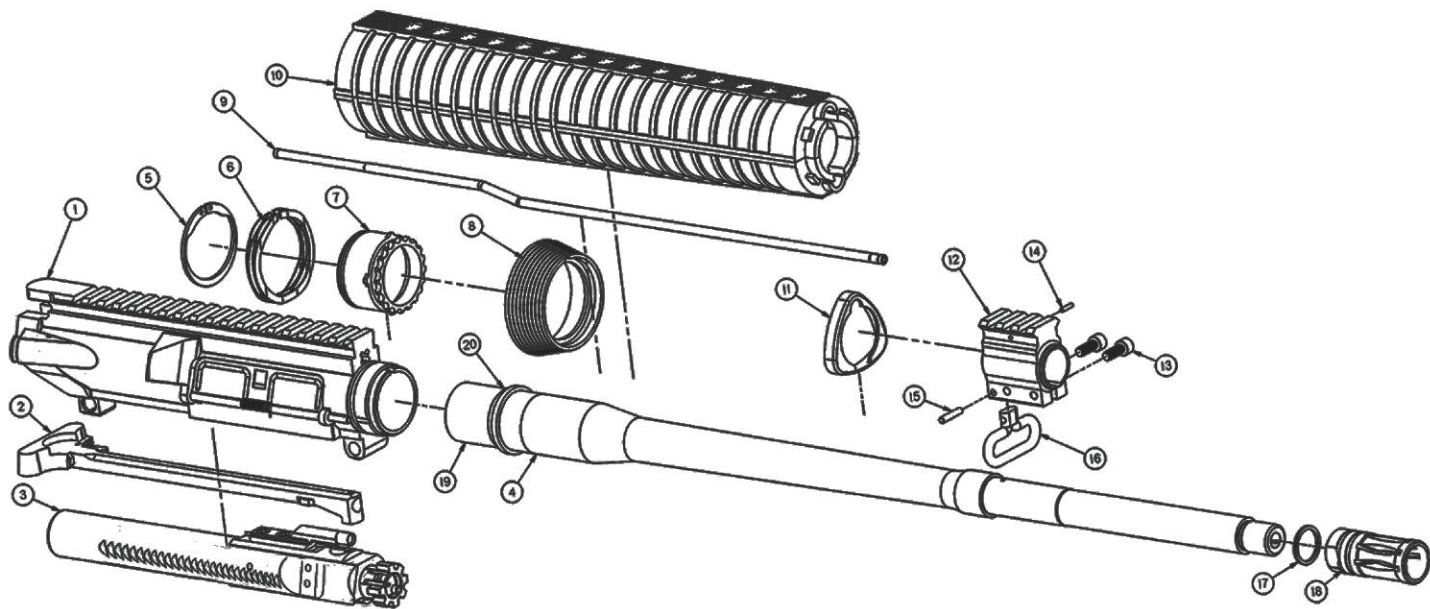
AR-10® Upper Assembly



AR-10® Upper Assembly

1	AR-10A4 Upper Receiver Assembly	10002001	\$319.00	AR-10A2 Upper Not Shown		
*	AR-10A2 Upper Receiver Assembly	EK0010	\$352.00	* A2 Rear Sight Kit	EA6040	\$55.00
*	AR-10(T)™ Upper Receiver Assembly	10002000	\$325.00	* Front Sight Post (Square) **	EU0210	\$4.00
2	AR-10® Charging Handle Assembly	EA1129	\$47.00	* Front Sight Detent Spring **	EU0230	\$0.50
3	AR-10® Bolt Carrier Assembly	10501001	\$257.00	* Front Sight Detent **	EU0231	\$1.15
4	.308 Barrel Tube	See page 19		* Front Sight Dowel Pins	EU0241P	\$2.00
5	AR-10® Slip Ring Retaining Ring	EA1160	\$0.75	* A2 Front Sight Housing	EU0240-1P	\$60.00
6	AR-10® Slip Ring Spring Assembly	EA1155	\$7.00	* Ejection Port Cover	EA1165	\$18.50
7	AR-10® Barrel Nut	EA1149	\$18.50	* Ejection Port Cover Spring	EA1167	\$0.40
*	AR-10(T) Barrel Nut	EA1146	\$15.00	* Ejection Port Cover Rod	EA1171	\$2.00
8	AR-10® Slip Ring	EA1150	\$13.00	* Ejection Port Cover Rod AR-10(T)	EA1170	\$1.50
9	AR-10® Rifle Gas Tube	10007010	\$12.00	* AR-10 (T)™ Ejection Port Cover Kit	EA6100	\$22.00
*	AR-10® Midlength Gas Tube	10007005	\$13.00	* AR-10® Ejection Port Cover Kit	EA6105	\$22.00
10	A2 Handguard Black w/liner, Rifle **	EU0070	\$20.00	* AR-10® Forward Assist Kit	10005001KIT	\$14.00
*	A2 Handguard OD Green w/liner, Rifle **	EG0040	\$20.00			
*	Mid-length, Handguards Black w/liner **	E00059	\$15.00			
*	Mid-length, Handguards, Green w/Liner **	EG0060	\$15.00			
*	AR-10(T)™ Rifle Handguards, Green ^	10703411G	(Order as Kit			
*	AR-10(T)™ Rifle Handguards, Black ^	10703411	See Page 38)			
11	Handguard Cap (std. triangle)	EU0333	\$3.50			
12	Picatinny Gas Block **	EA1151	\$42.00			
*	(T) Picatinny Gas Block **	EA1154	\$49.00			
13	Front Sight Housing Clamp Screw #10-32X1/2" **	EA1152	\$1.00	* Parts not shown in diagram		
*	Picatinny Housing Clamp Screw #10-32X1/2" SST **	EA1152S	\$1.00	** Interchangeable part with M-15™		
14	Gas Tube Pin, 5/64"X1/2" (A4)	EA1132	\$0.50	^ Parts that require gunsmith installation		
*	Gas Tube Pin, 5/64"X5/16" (A2)	EU0160	\$0.50	- If bolt carrier assembly or barrel is		
15	Sling Swivel Pin, 1/8" x 5/8"	EU0180	\$2.00	replaced, headspace needs to be		
*	Front Sling Swivel Rivet **	EU0185	\$2.00	checked by a qualified gunsmith.		
16	Front Sling Swivel **	EU0190	\$2.75			
17	.308 Crush Washer	EU0220	\$2.80			
18	AR-10A2 Flash Suppressor	10108200	\$23.00			

M-15™ Upper Assembly



M-15 (5.56MM NATO)
Upper Receiver and Parts

M-15™ Upper Assembly

1	M-15A4 Upper Receiver Assembly	EKO130A	\$190.00
*	M15-A2 Upper Receiver Assembly	EKO110A	\$228.00
2	M15 Charging Handle Assembly	EU0010B	\$26.00
3	.223 Bolt Carrier Group	EBO170	\$154.00
4	.223 Barrel Tube	See page 21	
5	Slip Ring Retaining Ring	EU0320	\$1.00
6	Slip Ring Spring	EU0310	\$4.50
7	.223 Barrel Nut	EU0330	\$20.00
*	National Match Barrel Nut	ENMO12	\$20.00
*	M15-A4 (T) Barrel Nut	EU0072	\$18.50
8	Slip Ring	EU0300B	\$11.00
9	.223 Rifle Gas Tube	EU0170	\$12.00
*	Carbine Gas Tube Mid-length	E00058	\$12.00
*	National Match Rifle Gas Tube	EU0172	\$12.00
10.	M15-A2 NM Handguards, Free Float, Green	EG0080	\$20.00
*	M15-A2 NM Handguards, Free Float, Black	EU0069	\$20.00
*	Carbine Mid Length Handguards, Black w/Liner **	E00059	\$15.00
*	Carbine Mid Length Handguards, Green w/Liner **	EG0060	\$15.00
*	A2 Handguards OD Green w/Liner **	EG0040	\$20.00
*	A2 Handguards Black, w/Liner **	EU0070	\$20.00
*	M15-A4 (T) Rifle Handguard, Black ^	15703411	(Order as Kit
*	M15-A4 (T) Rifle Handguard, Green ^	15703411G	See Page 39)
11	Handguard Cap (STD Triangle)	EU0333	\$3.50
12	Picatinny Gas Block (Clamp) Moly. **	EA1151	\$42.00
*	"T" Picatinny SST (Clamp) Gas Block **	EA1154	\$49.00
*	Front Sight Housing Pre-Ban Pin On w/Bayonet Lug	EU0240-1P	\$60.00
13	Picatinny Housing Clamp Screw, #10-32 x 1/2"	EA1152	\$1.00
*	Picatinny Housing Clamp Screw, #10-32 x 1/2" SST	EA1152S	\$0.80
14	Gas Tube Retaining Pin, 5/64 x 5/16" Pin	EU0160	\$0.50
*	Gas Tube Retaining Pin, 5/64" x 1/2" Spirol Pin	EA1132	\$0.50
15.	Front Sling Swivel Rivet **	EU0185	\$2.00
*	Sling Swivel, 1/8" x 5/8" Spirol Pin	EU0180	\$2.00
16	Front Sling Swivel **	EU0190	\$2.75
17	Shim Washer (.223 Peel Washer)	EU0120	\$3.00
18	.223 A2 Flash Suppressor	EU0100	\$5.25
19	.223 Barrel Extension w/Feed Ramps	EU0331-1	\$35.00
20	Barrel Extension Index Pin	EU0332	\$3.00

Upper Half Parts Not Shown

*	National Match Barrel Sleeve Lock Nut ^	ENMO13	\$4.00
*	National Match Barrel Nut ^	ENMO12	\$30.00
*	National Match Barrel Sleeve, Rifle (KIT)^	EMNMO4-1	\$133.00
*	National Match Front Sight Post **	ENMO40	\$12.00
*	Front Sight Detent Spring **	EU0230	\$0.50
*	Front Sight Detent **	EU0231	\$1.15
*	Front Sight Dowel Pins	EU0241P	\$2.00
*	Picatinny Gas Block Spacer Shim Washer	EU0335	\$1.00
*	Front Sight Set Screw **	EU0824	\$1.15
*	5/64" Allen Wrench National Match	ENM128	\$0.45
*	A2 Rear Sight Kit w/Battle Sight Aperture	EM2002	\$5.00
*	A2 Front Sight Housing **	EU0240-1P	\$60.00
*	Front Sight Post (Square)	EU0210	\$4.00
*	Ejection Port Cover Kit	EMK009	\$8.75
*	Forward Assist	EU0460	\$10.00
*	Forward Assist Kit	EMK007	\$11.30

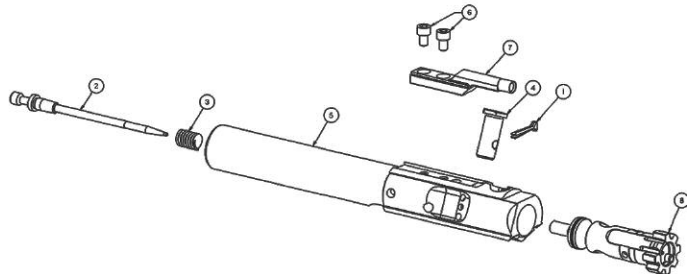
* Parts not shown in diagram

** Interchangeable part with AR-10®

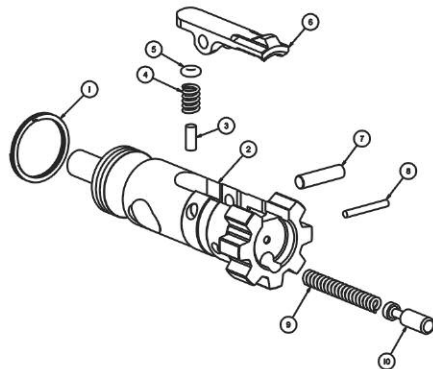
^ Parts that require gunsmith installation

- If bolt carrier assembly or barrel is replaced, headspace needs to be checked by a qualified gunsmith.

AR-10® Bolt Carrier Assembly



1 Firing Pin Retaining Pin	EA1009	\$3.50
2 Firing Pin	EA1010	\$17.50
3 Firing Pin Spring	EA1011	\$1.00
4 Cam Pin	EA1015	\$9.00
5 Bolt Carrier	10503011	\$149.00
6 Key Screws	EBO140	\$0.50
7 Bolt Carrier Key .223/.308	EBO150	\$13.00
8 Bolt Assembly	EA1080	\$115.00



1 McFarland Gas Ring	EA1055	\$6.05
2 AR-10 Bolt (Unassembled)	EA1060	\$71.00
3 Extractor Spring Insert	10403035	(order as kit)
4 Extractor Spring Kit	EA1030	as kit
Extractor Spring Kit (w/ spring, insert & o-ring)	10403030	\$0.70
5 O-Ring	EA1136	(order as kit)
6 Extractor	EA1025	\$33.00
7 Extractor Pin	EA1020	\$0.50
8 Ejector Pin	EA1040	\$0.50
9 Ejector Spring	EA1050	\$0.60
10 Ejector	EA1045	\$2.45

AR-10A4 Flattop Upper Receiver with Picatinny Rail

(Complete Upper Receivers Include Ejection Port Cover, Rod, Spring, and Forward Assist)



Complete	10002001	\$319
T Complete	10002000	\$319
338 Federal	10001014	\$325
Stripped	10003001E	\$277

AR-10A2 Fixed Handle Upper Receiver

(Complete Upper Receivers Include Rear Sight, Ejection Port Cover, Rod, and Spring)



Complete	EK0010	\$352
Stripped	EA1003	\$290



Complete AR-10 Bolt Carrier Assembly

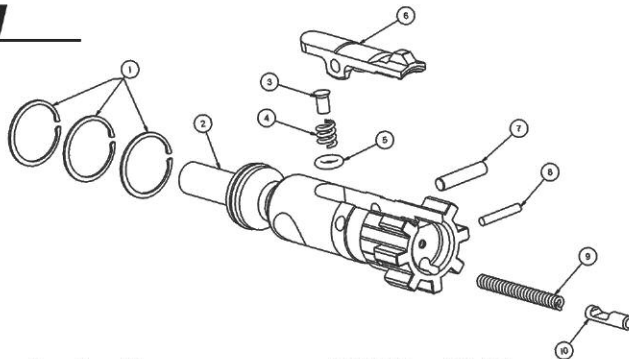
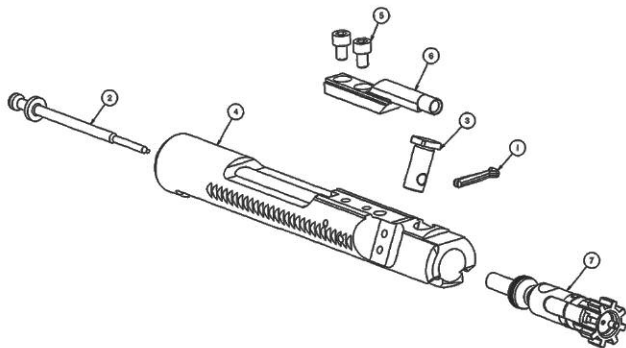
10501001 \$257



AR-10 Charging Handle

EA1129 \$47

M-15™ Bolt Carrier Assembly



1 Firing Pin Retaining Pin	EBO010	\$0.60
2 Firing Pin	EBO020	\$6.00
3 Cam Pin	EBO030	\$4.00
4 Bolt Carrier	EBO160	\$73.00
5 Key Screws	EBO140	\$0.50
6 Bolt Carrier Key .223/.308	EBO150	\$13.00
7 Bolt Assembly	EBO040	\$73.00

1 Gas Rings	EBO120	\$0.40
2 Bolt (unassembled)	EBO130	\$44.25
3 Extractor Spring Plunger	EBO080	\$1.00
4 Extractor Spring	EBO070	\$0.50
5 O-Ring	EBO065	\$0.50
6 Extractor	EBO060	\$1.00
7 Extractor Pin	EBO050	\$0.60
8 Ejector Pin	EBO090	\$0.50
9 Ejector Spring	EBO110	\$0.75
10 Ejector	EBO100	\$2.00



M-15A4 Flattop Upper Receiver

(Complete Upper Receiver Includes Forward Assist, Ejection Port Cover, Rod, and Spring)

Complete	EKO130A	\$190
Stripped	EU0520E	\$133



M-15A2 Fixed Handle Upper Receiver

(Complete Upper Receiver Includes Forward Assist, Rear Sights, Ejection Port Cover, Rod and Spring)

Complete with Rear Sight	EKO110A	\$228
Complete with NM Rear Sight	EKO111A	\$257
Stripped	E20140B	\$133



Complete M-15 Bolt Carrier Assembly

EBO170 \$135



M-15 Charging Handle

EU0010B \$26

AR-10® Lower Receiver



AR-10® Complete Lower Assembly with A2 Buttstock

With Tactical 2 Stage Trigger

Black Furniture L10B

Green Furniture L10

With 2 Stage National Match Trigger

Black Furniture L10BN

Green Furniture L10N

Current pricing at
www.ArmaLite.com



AR-10® Complete Lower Assemblies with Collapsible Buttstock

With Tactical 2 Stage Trigger

Black Furniture L10PCB

Green Furniture L10PC

Current pricing at
www.ArmaLite.com



Stripped Lower Receiver EA0901G

Current pricing at
www.ArmaLite.com



ArmaLite AR-10A4 Gunsmith Core Kit

All of the parts for the heart of the rifle; The Complete Upper and Lower Receivers with all Internal parts, including the genuine ArmaLite Tactical 2 Stage™ Trigger Group.

GSK10A4 Call for current pricing

Spring and Field Replacement Kits p. 41

ArmaLite AR-10®
Lower Receivers and Parts



AR-10® Lower Receiver Parts Kits

AR-10® Lower Receiver Parts Kits. These kits include: ejector/safety spring, pistol grip screw, black pistol grip washer, pistol grip, safety detent spring (2), detent (2), takedown pin, pivot pin, buffer detent, buffer detent spring, bolt stop pin, bolt stop, bolt stop plunger, bolt stop spring, mag catch, mag catch button, mag catch spring, safety selector, trigger guard assembly, trigger guard pin and Tactical 2 Stage Trigger or National Match 2 Stage Trigger.

with Tactical 2 Stage Trigger

Black Grip	10209000	\$150
Green Grip	10209010	\$150

with 2 Stage National Match Trigger

Black Grip	EA6011	\$225
Green Grip	EA6011G	\$225



AR-10® Buttstock Kits

Includes everything needed to install a Buttstock

A2 Buttstock Kit, Black	EA6050	\$85
A2 Buttstock Kit, Green	EA6050G	\$85
Collapsible Stock Kit, Black	10702302	\$115
Collapsible Stock Kit, Green	10702307	\$115



A2 Buttstock Kit



Collapsible Buttstock Kit

Trigger Kits

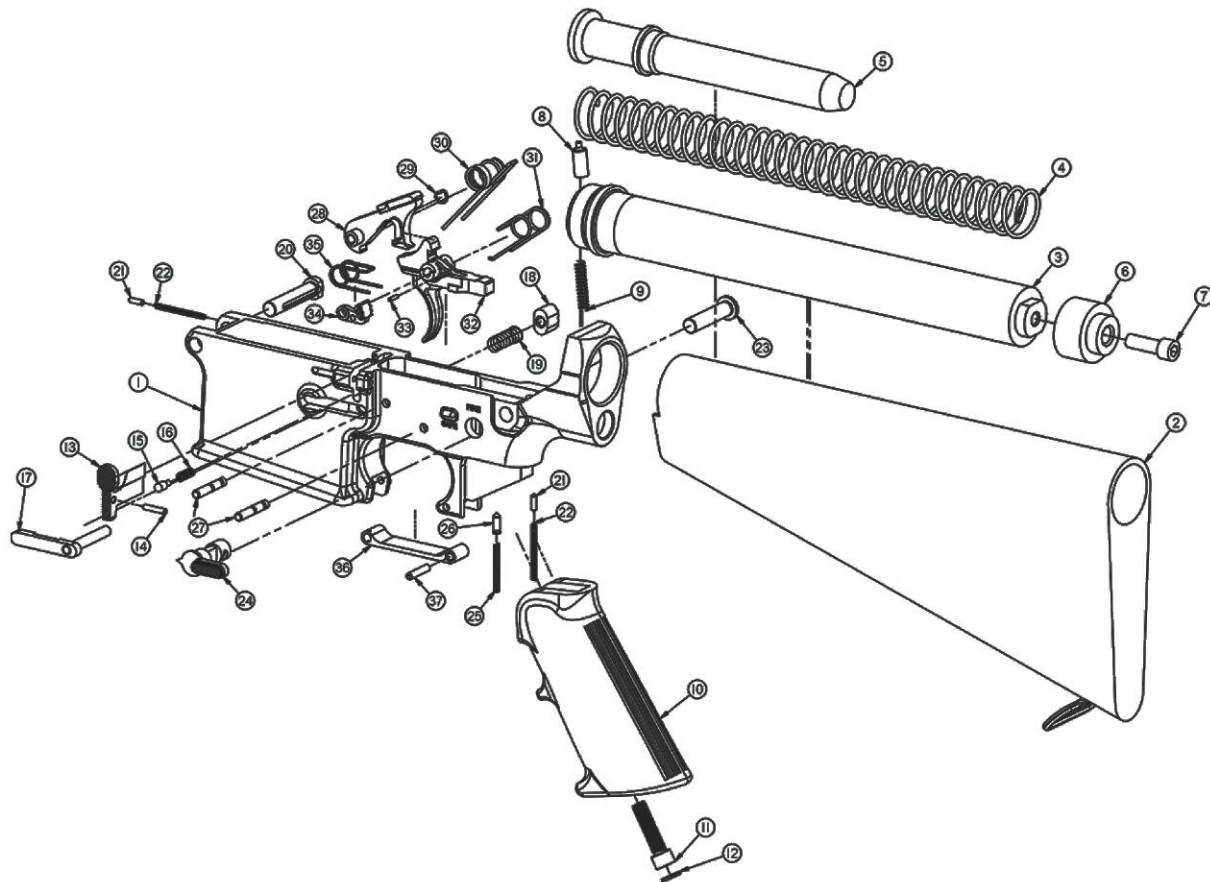
National Match 2 Stage	10309050	\$145
Tactical 2 Stage	10309000	\$97



ArmaLite 2 Stage Trigger Kit



AR-10® Lower Half Assembly



AR-10® Lower Half Parts

1	AR-10® Lower Receiver	EA0901G	Call for Price	24	Safety Selector **	ELO290	\$10.00
2	Buttstock Assembly (Black)	EA1120	\$35.00	25	Ejection/Safety Spring **	EB0110	\$0.75
	Buttstock Assembly (Green)	EA1120G	\$40.00	26	Safety Detent **	ELO060	\$1.00
3	Receiver Extension Tube (Rifle) **	ELO370	\$30.00	27	Hammer /Trigger Pin **	ELO300	\$1.25
	Receiver Extension Tube (Carbine)	10207025	\$42.00	28	Two Stage Tactical Hammer **	10308025*	
4	AR-10® Operating Spring	EA1095	\$6.00	29	Clip, Hammer Pin Retaining, (D-Ring)* **	10308020*	
5	AR-10® Buffer	EA1090	\$18.00	30	Hammer Torsion Spring **	ELO320	\$1.50
	AR-10® Carbine Buffer	ECO120	\$38.00	31	Hammer/Trigger Spring **	15303055	\$2.00
6	Buttstock Spacer **	ELO130	\$1.50	32	Two Stage Trigger **	10303050 *	
7	A2 Buttstock Screw **	ELO090	\$3.00	33	Disconnecter Pin 1/16" X 1/4" **	10306000	\$0.50
8	Buffer Detent	ELO190	\$1.00	34	Two Stage Disconnecter **	10307000A*	
9	Buffer Detent Spring	ELO200	\$1.00	35	Disconnecter Spring **	10806100	\$2.00
10	Pistol Grip (Black) **	ELO030	\$5.00	36	Trigger Guard Assembly **	ELO380	\$8.00
	Pistol Grip (Green) **	EG0050	\$6.00	37	Trigger Guard Pin, 1/8" X 5/8" **	ELO430	\$0.35
11	Pistol Grip Screw **	ELO010	\$1.00				
12	Pistol Grip Washer **	ELO020	\$0.50		Not Shown		
13	AR-10® Bolt Stop	10203100	\$16.00		Carbine Buttstock Lockring	ECC053A	\$3.25
14	Bolt Stop Pin, 3/32" X 1/2" **	ELO220	\$0.50		Carbine Buttstock Plate	ECC054	\$2.25
15	Bolt Stop Plunger**	ELO240	\$1.25				
16	Bolt Stop Spring **	ELO250	\$0.75				
17	Magazine Catch	EA1108	\$12.00				
18	Magazine Catch Button **	ELO270	\$3.75				
19	Magazine Catch Spring	ELO280	\$0.75				
20	AR-10® Pivot Pin	EA1112	\$6.00				
	AR-10® Pivot Pin, Oversized	EA5100	\$10.00				
21	Detent Pin, Pivot/Takedown **	ELO150	\$0.75		National Match 2 Stage Trigger	10309050	\$145
22	Detent Spring, Pivot/Takedown **	ELO140	\$0.75		Tactical 2 Stage Trigger	10309000	\$97
23	AR-10® Takedown Pin	EA1113	\$6.00				
	AR-10® Takedown Pin, (Oversized)	EA5101	\$10.00				

**** Parts that are interchangeable with M-15**

***Parts 28, 29, 32, and 34 are sold as Trigger Kits only See Below**

M-15™ Lower Receiver



M-15™ Complete Lower Assemblies with A2 Buttstock

With Tactical 2 Stage Trigger

Black Furniture L15B

Green Furniture L15

With 2 Stage National Match Trigger

Black Furniture L15BN

Green Furniture L15N

Current Pricing at
www.ArmaLite.com



M-15™ Complete Lower Assemblies with Collapsible Buttstock

With Tactical 2 Stage Trigger

Black Furniture L15PCB

Green Furniture L15PC

Current Pricing at
www.ArmaLite.com



Stripped M-15™ Lower Receiver

EA900G

Current Pricing at
www.ArmaLite.com



ArmaLite M-15A4™ Gunsmith Core Kit

Same as the AR-10A4 Gunsmith Core Kit but for the M-15A4 rifle.

GSK15A4

Current Pricing at
www.ArmaLite.com

M-15™ Lower Receiver Parts Kits

M-15™ Lower Receiver Parts Kits. These kits include: ejector/safety spring, pistol grip screw, black pistol grip washer, pistol grip, safety detent spring (2), detent (2), takedown pin, pivot pin, buffer detent, buffer detent spring, bolt stop pin, bolt stop, bolt stop plunger, bolt stop spring, mag catch, mag catch button, mag catch spring, safety selector, trigger guard assembly, trigger guard pin and complete Tactical 2 Stage Trigger or National Match 2 Stage Trigger.

with Tactical 2 Stage Trigger

Black Grip	15209000	\$120
Green Grip	15209010	\$120

with 2 Stage National Match Trigger

Black Grip	EMK013	\$205
Green Grip	EMK013G	\$205

without Trigger EMK035 \$48



Pistol Grip Kits

Includes grip, screw and washer

Black	EMK020	\$7.50
Green	EMK020G	\$7.50

M-15™ Buttstock Kits

Includes everything needed to install a Buttstock

A2 Buttstock Kit, Black	EMK017	\$80
A2 Buttstock Kit, Green	EMK017G	\$80
Collapsible Stock Kit, Black	15702302	\$100
Collapsible Stock Kit, Green	15702307	\$100



A2 Buttstock Kit



Collapsible Buttstock Kit

Trigger Kits

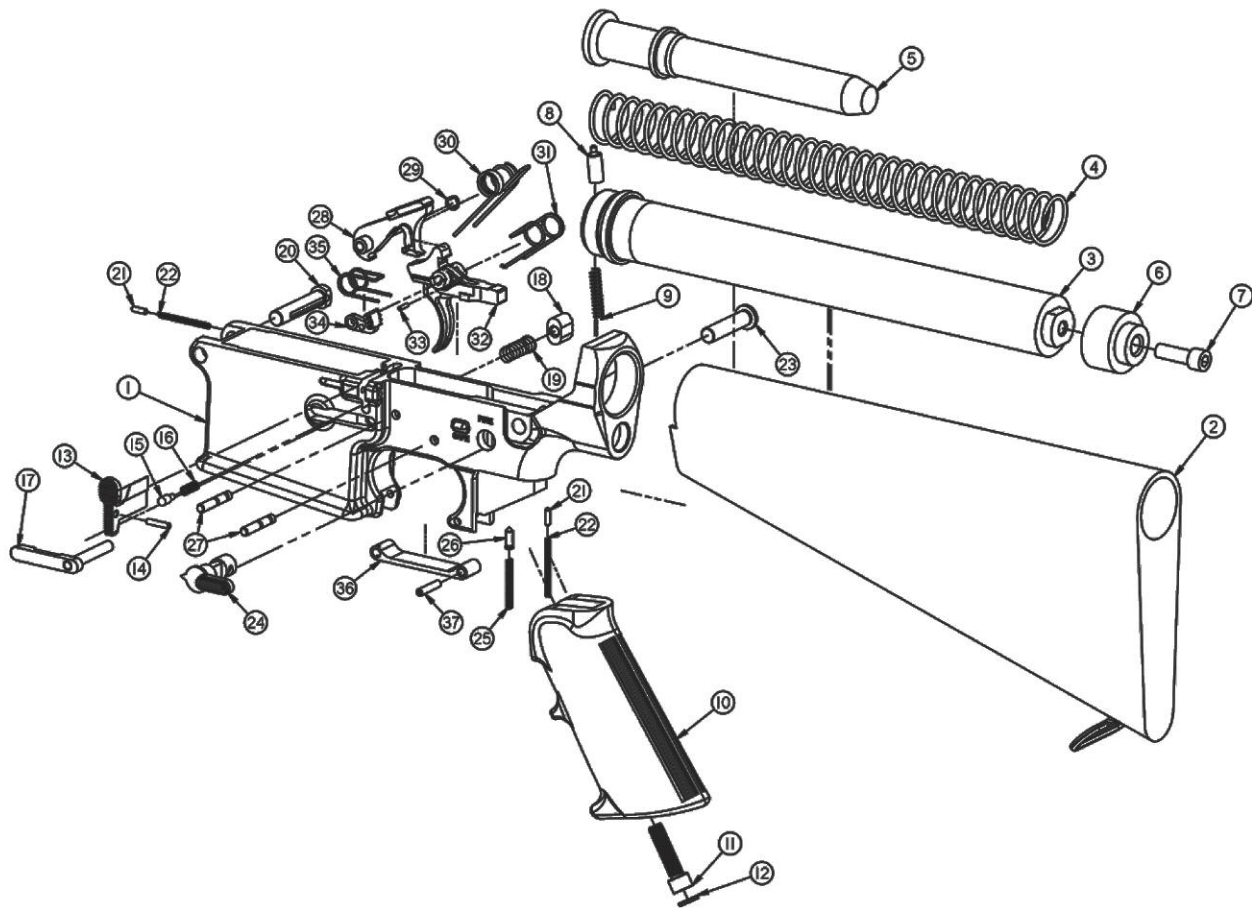
Kits include numbers 28, 29, 32, and 34 found on page 35.
National Match trigger tuned for light and consistent trigger pulls.

National Match 2 Stage	10309050	\$145
Tactical 2 Stage	10309000	\$97



ArmaLite 2 Stage Trigger Kit

M-15™ Lower Half Assembly



M-15™ Lower Parts

1	M-15™ Lower Receiver	EA900G	Call for Price	23	M-15™ Takedown Pin	ELO160	\$5.00
2	Buttstock Assembly (Black)	ELO110	\$35.00		NM Takedown Pin, Oversized(.251 dia.)	ENM002	\$10.00
	Buttstock Assembly (Green)	EG0020	\$40.00	24	Safety Selector **	ELO290	\$10.00
3	Receiver Extension Tube (Rifle) **	ELO370	\$30.00	25	Ejection/Safety Spring **	EB0110	\$0.75
	Receiver Extension Tube (Carbine)	15207020	\$25.50	26	Safety Detent **	ELO060	\$1.00
4	M-15™ Operating Spring	ELO210	\$4.30	27	Hammer /Trigger Pin **	ELO300	\$1.25
	M-15™ Carbine Operating Spring	EC0040	\$2.50	28	Two Stage Tactical Hammer	10308025 *	
5	M-15™ Buffer	ELO180	\$14.00	29	Clip, Hammer Pin Retaining, (D-Ring)**	10308020 *	
	M-15™ Carbine Buffer	EC0030R	\$12.00	30	Hammer Torsion Spring **	ELO320	\$1.50
6	Buttstock Spacer **	ELO130	\$1.50	31	Hammer/Trigger Spring **	15303055	\$2.00
7	A2 Buttstock Screw **	ELO090	\$3.00	32	Two Stage Trigger **	10303050 *	
8	Buffer Detent **	ELO190	\$1.00	33	Disconnector Pin 1/16" X 1/4" **	10306000	\$0.50
9	Buffer Detent Spring **	ELO200	\$1.00	34	Two Stage Disconnector **	10307000A*	
10	Pistol Grip (Black) **	ELO030	\$5.00	35	Disconnector Spring **	10806100	\$4.00
	Pistol Grip (Green) **	EG0050	\$6.00	36	Trigger Guard Assembly **	ELO380	\$8.00
11	Pistol Grip Screw **	ELO010	\$1.00	37	Trigger Guard Pin, 1/8" X 5/8" **	ELO430	\$0.35
12	Pistol Grip Washer **	ELO020	\$0.50		Parts not shown		
13	M-15™ Bolt Stop	ELO230	\$11.00		Carbine Buttstock Lockring	EC0053A	\$3.25
14	Bolt Stop Pin, 3/32" X 1/2" **	ELO220	\$0.50		Carbine Buttstock Plate	EC0054	\$2.25
15	Bolt Stop Plunger **	ELO240	\$1.25				
16	Bolt Stop Spring **	ELO250	\$0.75				
17	Magazine Catch	ELO260	\$6.00				
18	Magazine Catch Button **	ELO270	\$3.75				
19	Magazine Catch Spring **	ELO280	\$0.75				
20	M-15™ Pivot Pin	ELO170	\$5.00				
	NM Pivot Pin, Oversized (.251 dia.)	ENM001	\$10.00				
21	Detent Pin, Pivot/Takedown **	ELO150	\$0.75		National Match 2 Stage Trigger Kit	10309050	\$145
22	Detent Spring, Pivot/Takedown **	ELO140	\$0.75		Tactical 2 Stage Trigger Kit	10309000	\$97

** Part that are interchangeable with the AR-10®

*Parts 28, 29, 32, and 34 are sold as Trigger Kits only
See Below

AR-10® Magazines

ArmaLite Magazines



**AR-10®
Magazines**

AR-10® Magazines (7.62MM NATO and .338 Federal)

ArmaLite AR-10 Mags are proprietary magazines. Previously ArmaLite AR-10's used a converted M-14 magazine (1st generation). Today's AR-10 magazines (Generation II) come in many sizes. Each mag will accommodate the other calibers the AR-10 is chambered in, such as .338 Federal and .243 Winchester.

25 Round Magazine	10607003	\$53.00
20 Round Magazine	10607002	\$44.95
15 Round Magazine	10607009	\$44.95
10 Round Magazine	10607001	\$44.95
5 Round Magazine	10607000	\$44.95
20 Round 1st Generation	EX0515	\$39.00 (not shown)



M-14 Magazine

M-14 Magazine

M-14 20 Round Magazine	EX0511C	\$25.00
------------------------	---------	---------

AR-10® Generation II Magazine Conversion Kit

Includes converted mag body, follower, and floor plate. For converting USGI magazines ONLY with no commercial imitation springs. Please check your State Laws pertaining to magazine capacities.

Generation II Mags	EA5085	\$30.00 (not shown)
--------------------	--------	---------------------



EMA Tactical Picatinny .223 Magazine Holder

Mag pouch for .223 magazine. Fits on
EMA Collapsible Stock/Picatinny rail
EX6605 \$19.99

EMA TACTICAL .223 Magazine Coupler

Polymer mag coupler expands ammunition
capacity and saves reload time.
EX6625 \$13.99



M-15™ Magazines

M-15™ Magazines (5.56 MM NATO)

ArmaLite's M-15™ magazines come in a variety of sizes and materials as well as different calibers for the alternate calibers in the ArmaLite line-up. Starting at the top in the .223/5.56mm the 5 and 10 round magazine are steel blocked 20 round magazines unless specified. The 20 and 30 round magazines are aluminum.

30 Round Magazine	EX0068	\$19.00
20 Round Magazine	EX0070	\$18.50
10 Round Magazine (steel)	EX0072	\$17.00
5 Round Magazine (steel)	EX0099	\$18.00 (not shown)
5 Round Magazine (steel) Blocked 10 round magazine	EX0075	\$19.50 (not shown)



MAGPUL P-MAG

MAGPUL P-MAGS are polymer for .223/5.56mm rounds.

MAGPUL 30 Round	MAG211-BLK	\$14.20
MAGPUL 20 Round	MAG217-BLK	\$13.25



The M-15™ alternate calibers have magazines designed for that specific round. The 7.62X39 Russian round magazine comes in a 10 and 30 round aluminum magazine. The 6.8 SPC magazine comes in 10 and 25 round aluminum magazines in waffle design.

(7.62x39MM)

30 Round Magazine	15601045	\$41.00
10 Round Magazine	15601040	\$32.00

(6.8 SPC)

25 Round Magazine	15601050	\$45.00
10 Round Magazine	15601055	\$45.00



M-15™ Magazines

AR-10® Handguards



AR-10® Rifle Length Quad Rail



AR-10® 8" Midlength Quad Rail



AR-10® Rifle Length (T) Handguards



AR-10® Midlength (T) Handguard

AR-10® Free Float Quad Rail Handguard Kit

ArmaLite's National Match Handguard is free floating with four rails and can take the place of rifle length handguards. Sold as a kit and includes all parts needed to replace (T) and A2 rifle length handguards.

10705318KIT

\$235.00

AR-10® Mid-length Free Float Quad Rail Handguard Kit

ArmaLite's Mid-length Quad Rail Handguard is free floating with four rails and comes with all parts needed to convert standard mid-length handguards to the free float system.

AR-10® Mid-Length Handguard

10705323KIT

\$225.00

ArmaLite Light Weight Free Float Handguard Kit

ArmaLite's light weight handguard floats the barrel while providing a sleek, good looking aluminum handguard. Kit includes all parts needed to replace standard rifle length to the free float system.

AR-10(T)™ Handguard

(Black) 10703411KIT

\$80.00

(Green) 10703411GKIT

\$80.00

ArmaLite Light Weight Free Float Mid-length Handguard Kit

ArmaLite's mid-length light weight handguard floats the barrel while providing a sleek, good looking aluminum handguard. Kit includes all parts needed to replace standard midlength handguard to this free float system.

**AR-10(T)™ Mid-length
Handguard**

(Black) 10703412KIT

\$80.00

(Green) 10703412GKIT

\$80.00

M-15™ and AR-10® Handguards



ArmaLite Light Weight Free Float Handguard Kit

ArmaLite's light weight handguard floats the barrel while providing a sleek, good looking aluminum handguard. The kit includes all parts needed to replace standard rifle length handguard to the free float system.

M-15(T) Handguard (Black)	15703411KIT	\$80.00
(Green)	15703411GKIT	\$80.00

ArmaLite Light Weight Free Float Mid-length Handguard Kit

ArmaLite's mid-length light weight handguard floats the barrel while providing a sleek, good looking aluminum handguard. Kit includes all parts needed to replace standard mid-length handguard to this free float system.

M-15(T) Midlength Handguard (Black)	15703412KIT	\$80.00
(Green)	15703412GKIT	\$80.00

ArmaLite 1913 Handguard

No special fitting or disassembly required; just replace the handguards and you're ready to go! This aluminum handguard system has 4 Picatinny rails and replaces the handguards on the A2 and A4 rifle and carbine models for both M-15™ and AR-10®. Includes 3 rail covers.

Rifle Length Handguard	10705110KIT	\$150.00
Mid-Length Carbine 8" Handguard	10705111KIT	\$150.00
Carbine 6" Handguard	10705112KIT	\$150.00

M-15™ and AR-10® Handguard Accessories



AR-10(T)™ and M-15(T)™ Standard Rail Kit

This kit mounts to the bottom of the round aluminum T handguard, allowing you to mount a bipod, light or any other attachment utilizing the Picatinny rail.

10703611 \$40.00



Harris Bipod (S-BR model)

Small benchrest bipod. Attaches to the sling swivel. Adjust 4-7 inches. Folds for easy storage.

LAW2030 \$124.34



AR-10(T)™ and M-15(T)™ 5" Rail Kit

This kit mounts to any large slot of the round aluminum T handguard, allowing you to attach sights or anything utilizing the Picatinny rail.

10703615 \$40.00



Harris Bipod (S-LM model)

Attaches to the sling swivel. Adjusts 9-13 inches with adjustable, lockable cant. Folds for easy storage.

LAW2040 \$127.00



AR-10(T)™ and M-15(T)™ 3" Rail Kit

This kit mounts to any slot of the round aluminum T handguard, allowing you to attach sights, lights or anything utilizing the Picatinny rail. Will not mount on bottom of handguard.

10703613 \$40.00



EMA Tactical Bipod

New EMA Bipod. Mounts to Picatinny rail. Fold for easy storage.

BPOS \$122.39

Spring Replacement Kit

Everyone needs to replace a spring from time to time. This kit makes it easy. Includes: rear sight helical spring (3), rear sight helical spring (elevation), extractor spring, extractor spring plunger, ejector/safety spring (2), detent spring (2), buffer detent spring, bolt stop spring, mag catch spring, charging handle latch spring, front sight spring, ejection port cover spring, front sight spring.

AR-10® Spring Replacement Kit
M-15™ Spring Replacement Kit

EA6000 **\$16.00**
EMK010 **\$15.00**



EA6000



EMK010

Field Replacement Kit

This kit has everything useful to perform minor repairs to keep your rifle running for decades. Includes: helical spring (elevation), firing pin, firing pin spring, firing pin retaining pin, cam pin, extractor, extractor pin, extractor spring (2), ejector, ejector pin, ejector spring (2), gas rings, hammer spring, disconnecter spring (2), trigger spring.

AR-10® Field Replacement Kit
M-15™ Field Replacement Kit

EA6020 **\$60.00**
EMK012 **\$33.50**



EA6020



EMK012

M-15™ and AR-10® Gas Blocks

ArmaLite's Gas Blocks are finely machined of carbon steel or stainless steel. These kits include gas block with a Picatinny Rail, (2) Clamp Screw and Gas Tube Pin.



.750 Gas Blocks

To replace A2 front sight gas block

EU0236KIT (Black) **\$60.00**

.875 Gas Blocks

For (T) barrels.

EA1154KIT (Stainless) **\$60.00**

.750 Gas Blocks

For all standard A2 and A4 models including NM.

EA1151KIT (Black) **\$60.00**

EA1153KIT (Stainless) **\$60.00**

Picatinny Gas Block Spacer

Spacer is used on all barrels using .750 gas blocks for both M-15™ and AR-10®



EU0335 **\$1.00**

M-15™ and AR-10® Accessories



AR-10® Detachable Carry Handle

Standard	EA5050	\$139.00
NM Handle	10806400	\$218.00

M-15™ Detachable Carry Handle

Standard	E20149	\$122.00
NM Handle	E20220	\$170.00



AR-10®

M-15™

AR-10® Detachable Front Sight

Standard	EA5045	\$50.00
NM Front Sight	10806410	\$60.00

M-15™ Detachable Front Sight

E20151	\$50.00
--------	---------



M-15™

Universal

AR-10®

Midwest Industries Flip Up Sights

The MI flip up front sights mount to the Picatinny rail on the gas block and the rear sight mounts to the upper receiver.

M-15™ Flip Up Front Sight	EX3405	\$95.00
Universal Flip Up Rear Sight	EX3406	\$105.00
AR-10® Flip Up Front Sight	EX3404	\$95.00



Midwest Industries Picatinny Rail Flip Up Front Sights

The MI Picatinny rail flip up front sights mount to the Picatinny rail of a quad rail handguard. Can be used for the M-15™ or the AR-10® rifle with a quad rail or T handguard, when the top rail is attached.

EX3407	\$95.00
--------	---------



ArmaLite™ Scope Mounts

ArmaLite's scope mounts provide outstanding, repeatable engagement with all Mil-Std Picatinny rails. Finely machined for high quality, our one piece scope mounts work with up to 50mm scope objectives.

30mm Scope Mount	EX0022	\$89.00
1" Scope Mount	EX0027	\$89.00

M-15™ and AR-10® Accessories



Tru Glow Detachable Front Sight

Brightest M-15™ sight in the industry. Includes optional, push button light for use in complete darkness. Designed for front gas blocks for M-15™ extra long, super bright, protected green fiber. Click elevation adjustment. Includes sight-adjustment tool.

TG115 \$61.99



Trijicon Bright and Tough™ Night Sights

Trijicon Bright & Tough™ Night Sights are three-dot iron sights that increase night-fire shooting accuracy by as much as five times over conventional sights. Equally impressive, they do so with the same speed as instinctive shooting and without the need for batteries.

Housed in a metal body and cushioned within silicon rubber, Bright & Tough Night Sights feature a unique shock resistant design that is patented by Trijicon. Each lamp is capped with a sapphire jewel to help evenly distribute the light while protecting the lamp from solvents and puncture. Contained within aluminum cylinders for additional protection, the lamps are mounted on silicon rubber cushions to withstand shock and heavy recoil.

LAW1182 \$85.00



Trijicon Front Sight

The Trijicon front sight installs into A2 front sight.

LAW1180 \$60.00



MAGPUL MBUS Front and Rear Flipdown Sights

Mounts to quad rail handguard for the M-15™ and AR-10® firearms.

MAG245-BLK	Front Sight	\$37.95
MAG246-BLK	Rear Sight	\$55.05

M-15™ and AR-10® Accessories



Gripwell™

The Gripwell™ gives the operator an advantage in CQB over the "traditional" vertical foregrip. This is accomplished by using a super tight vertical grip which produces a natural tendency to keep the elbow in tight. This in turn keeps the operator from making accidental contact with other entry team members or hitting objects causing an accidental "sweeping" of a team mate.

GW01A-BLK **Black** **\$29.99**
GW01A-GRN **Green** **\$34.99**



EMA Tactical Flashlight Grip Adaptor

1" light mount and vertical grip. Picatinny rail for laser. Light not included.

EX6610 **\$74.99**



EMA Tactical Collapsible Stock

Collapsible stock with rubber butt pad, side Picatinny rail and battery storage. Fits both AR-10® and M-15™

EX6600 **\$69.99**



Side-Mount Sling Swivel

The Side-Mount Sling Swivel allows slings to be attached to the side of the rifle, attaching to any Mil-Std Picatinny Rail handguard system. The swivel mounts quickly and securely to the rifle using a button head cap screw allowing installation of the tactical slings.

15903015 **Quick Detatch Sling Swivel** **\$21.99**
15903025 **Standard Sling Swivel** **\$29.99**



Hogue Pistol Grip

Rubber grip with finger grooves and ArmaLite Logo

15000 **\$24.95**

M-15™ and AR-10® Accessories



EMA Tactical One Point Sling

Heavy duty, fully adj. with quick release buckle. Bungee cord & carabiner attachment.

EX6620 **\$34.99**



EMA Tactical One Point Sling Mount

Mounts on the upper receiver extension. No disassembly required.

OPSM **\$40.79**



EMA Tactical .223 Magazine Coupler

Polymer mag coupler expands ammunition capacity and saves reload time.

EX6625 **\$13.99**



EMA Tactical Picatinny Magazine Holder

Mag pouch for .223 magazine. Fits on EMA Collapsible Stock/Picatinny rail

EX6605 **\$19.99**



Fobus AR-24 Mag Pouch

EX6655 **\$24.99**

AR-50A1™ and AR-30™ Accessories



Allied Precision Arms Competition Bipod for AR-50™ and AR-30™

This new heavy duty bipod is a solid mount for the AR-50. 17" wide stance for a solid base, low profile for prone and bench shooting, and cants for uneven ground. This bipod is built strong and features adjustable, lockable cant, lock rings to secure legs and folds for transport. Barrel center line in 9.5".

APA Bipod EX3206 \$250



Allied Precision Arms Adjustable Leg Extension

Quick to attach, these legs are 6 inches long and adjust in half inch increments. At the lowest position barrel center line is 10.75" with a footprint of 18.75". At the highest position the barrel center line is 12.5" with a footprint of 24.5". Barrel height increases in .25" for each adjustment hole.

Adjustable Leg Extension Kit EX3208 \$40



AR-50™ and AR-30™ Scope Base

Steel Picatinny Rail Attachment. Includes scope base and screws.

AR-50™

15 Minute Base (0 to 1000 yds)	AR500361	\$80.00
30 Minute Base (500 to 1500 yds)	50809330KIT	\$80.00
50 Minute Base (1000 to 2000 yds)	AR500365	\$80.00

AR-30™

10 Minute Base	30910000KIT	\$70.00
----------------	-------------	---------



AR-30™ 5 Round Magazine

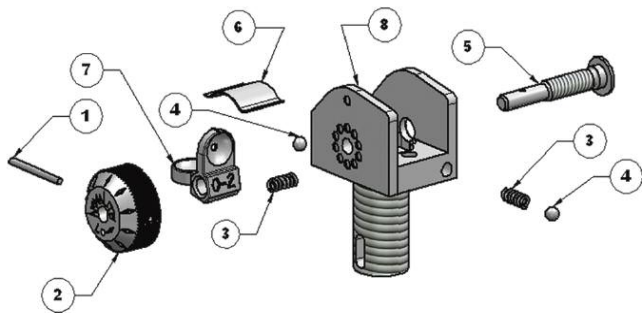
.300 & 338	30601005338	\$68
.308	30601005308	\$75



Allied Precision Arms Quick Adjust Monopod

For use with the AR-50, this monopod has a quick adjust feature to set the height quickly and a screw to dial in exact height.

Quick Adjust Monopod EX3203 \$150



A2 Complete Rear Sight Assembly

Includes items 1 thru 8

M-15 Rear Sight Assembly

EM2002

\$55.00

NM Hooded Rear Sight Assembly

(Complete with National Match Sight Base)

1/2 MIN Hooded Rear Assembly EMNM08

\$89.00

1	*Windage Knob Pin	E20020	\$0.50
2	*ArmaLite 1/4 Minute Windage Knob	ENM015	\$15.00
3	*Helical Spring**	E20040	\$0.50
4	*Ball Bearing**	E20050	\$0.50
5	*Windage Screw	E20060	\$2.75
6	*Aperture Spring	EU0440	\$1.00
7	*Rear Sight Aperture, .060/.070	E20070	\$9.00
	*Battle Sight Aperture .070/.197	E20075	\$10.00
	NM Aperture .050/.060	ENM010	\$14.00
	NM Aperture .043/.050	ENM011	\$16.00
8	Standard Sight Base	E20080	\$18.00
	NM Rear Sight Base	ENM030	\$30.00
	*Sight Base/Forward Assist Pin	E20090	\$0.50
	*Elevation Helical Spring	E20100	\$0.75
	*Index Set Screw	E20110	\$2.00
	Standard Elevation Index	E20120	\$6.00
	NM Elevation Index Knob	ENM022	\$14.00
	Standard Elevation Knob	E20130	\$6.00
	NM Elevation Knob	ENM021	\$10.00

* Indicates Parts Usable on the AR-10®

** 3 per Rifle for 1/2 Min. Windage or
4 per Rifle for 1/4 Min. Windage

Orders accepted by phone, fax, mail, e-mail or on our website
All payments should be by Visa, Mastercard, Discover, Cashiers Check or Money
Order unless company check or credit terms have been pre-approved by ArmaLite.
Illinois residents must add Sales Tax or provide State Tax number.

FFL HOLDERS

ArmaLite requires a current, hand signed, in ink, FFL before processing dealer orders.

ADDITIONAL TERMS AND CONDITIONS

These instructions do not contain all of the terms and conditions set forth by ArmaLite. Please refer to ArmaLite, Inc. Terms and Conditions of Sale, available at no charge from ArmaLite upon request or via our website. All prices, specifications, terms and conditions are subject to change without notice.

RETURNS

Returns for repair, warranty or refund will not be accepted without an RMA number issued by ArmaLite. Please call 1-800-336-0184 to receive an RMA number. NOTE: All returns for refund are subject to a restocking fee of 15% or \$25.00 whichever is greater. All items are non-refundable after 30 days. Freight charges are not refundable. Shipping fees will be applied to exchanged product.

Please visit our new and improved website at www.armalite.com for much more information. At our website, you can find current pricing on all of our firearms, components, and accessories. You can purchase parts and accessories. You can learn about our Policies and detailed Contact Us information. You can also find the most complete set of answers to FAQs in the industry. Our website Library contains a history of ArmaLite, owner's manuals for all of our firearms, and dozens of technical notes that can greatly enhance your knowledge of our firearms and of firearms in general.

CONTACT INFORMATION

ArmaLite, Inc.
PO Box 299
Geneseo, IL 61254

1-800-336-0184 Toll Free
309-944-6939 Phone
309-944-6949 Fax

sales@armalite.com
info@armalite.com
www.armalite.com

Hours
Monday - Friday
8:00am - 4:30 pm CST

**When sending a firearm
please use:**
A.L. Inc
745 South Hanford St.
Geneseo, IL 61254

ArmaLite Technology

ArmaLite's strength is its ability to manufacture a rifle that is 100% ArmaLite, AR-10®. From that original ArmaLite design we are able to make constant refinements because of our understanding of ordnance principle and through extensive development and testing. Today's AR-10's are the best 7.62MM on the market utilizing innovations that have changed the industry. From its load level bolt to the design of the mid-length gas system the AR-10® mid-length carbine is the most reliable heavy hitting rifle on the market.

8" Mid-Length Gas System

The 8" gas system assures optimal transfer of gas from the gas tube to the bolt carrier resulting in consistent cyclic rates

Load Levelled™ Bolt

Spreads firing loads evenly over bolt lugs for increased strength.

Picatinny Rail Upper Receiver

Standard on all A4 models. ArmaLite receivers are forged with forward assist and Mil Spec Picatinny rail providing a stable sighting platform.

A2 Birdcage Flash Suppressor

Threaded 5/8 - 24

Extractor System

Increase reliability of extraction and ejection.

M4 Feed Ramps

Standard on all ArmaLite AR-10® and M-15™ models providing consistent feeding.

Chrome Lined Barrel

Each ArmaLite barrel is custom built to ArmaLite blueprints by a team of Design Engineers and Quality Assurance Engineers dedicated to consistent quality and accuracy.

Clamping Gas Block

Allows perfect centering of the rear sight.

Generation 2 Magazines

5, 10, 15, 20, and 25 round magazines: New in 2008, redesigned and AR-10® specific. Designed for superb feeding and reliability of bolt catch operation.

ArmaLite 2 Stage Trigger

ArmaLite's newest 2 stage trigger system for consistent pull. Comes standard on all AR-10® and M-15™ models

G1 Carbine Extension Tube

With a 6 position collapsing stock ArmaLite utilizes G1 extension tubes standard on all carbine models.



ARMA LITE, INC.
PO Box 299
Geneseo, IL 61254



- **PH. 309.944.6939**
- **FAX 309.944.6949**
- **SALES@ARMA LITE.COM**
- **INFO@ARMA LITE.COM**
- **WWW.ARMA LITE.COM**

Shown with scope mount, third-party sound suppressor, bipod, and scope