



Retail Catalog
January 2009

ROCK
RIVER
ARMS, INC.®

MADE IN U.S.A.

**Custom LAR Rifles,
Parts and Accessories**



In 1996, brothers Mark and Chuck Larson founded Rock River Arms in an 1,800 square foot shop in Cleveland, Illinois. Mark and Chuck together brought over 40 years of varied experience in the firearms manufacturing industry into their new endeavor. Rock River Arms soon developed a reputation as one of the finest builders of hand fitted custom 1911 pistols, and their NM frames and slides set a new industry standard for tight tolerances, fit and finish.

The brothers soon turned their manufacturing expertise and attention to detail into producing custom .223 caliber "AR" style rifles. Their initial focus on tightening up tolerances and improving the fit, finish and reliability of their rifles was rewarded as the Rock River Arms NM A2 Rifle quickly gained popularity among high-power shooters.

Today, operating out of a state-of-the-art 12,000 square foot facility in Colona, Illinois, the company is producing a full line of custom rifles, parts and accessories, all built with the same focus on providing the finest fit, finish and function at a reasonable price.

The quality and reliability of Rock River Arms firearms continues to win new admirers. The U.S. Drug Enforcement Agency (DEA) and Federal Bureau of Investigation (FBI) recently put a variety of different manufacturers rifles through an exhaustive trials process, and based on those trials awarded Rock River Arms with a 5 year contract as their primary supplier.

Rock River Arms is one of the fastest growing firearms manufacturers in the country, but remains committed to continuing to provide it's civilian, law enforcement and military customers with the kind of custom products and services on which it's reputation has been built.

RRA Warranty Information

Rock River Arms offers the following warranties on its products: Complete LAR Rifles, Pistols, Upper Halves, and Lower Halves carry a Limited Lifetime Warranty against failure of factory parts and labor. Complete Custom 1911 Pistols carry a One Year Limited Warranty against failure of factory parts and labor. If you have any questions concerning the warranty on your Rock River Arms rifle, upper half, lower half or pistol, please call Rock River Arms for clarification.

Assault Weapon Ban Sunset

With the sunset of the "assault weapons ban" in 2004, Rock River Arms is pleased to offer rifles with previously banned features to most of our customers. Some states, counties, and municipalities have enacted laws similar to the federal ban. Please check all applicable laws in your city and state before ordering to avoid any potential legal problems. Rock River Arms continues to offer rifles and subassemblies in configurations consistent with the requirements of the prior ban. Please call Rock River Arms for pricing and availability on Ban Compliant models.

Laser Logo Engraving

We are now laser engraving Rock River Arms Inc. on all our upper receivers.

All of our factory-built complete upper halves and complete rifles are engraved with Rock River Arm's trademarked logo.



Once submitted, all orders are final, changes requested after submission, including configuration, subs, etc., will result in a \$25 reprocessing charge. See our website for Shipping and Handling charges. Custom serial numbers, if available, cost \$50 and require a \$250 non-refundable deposit.

Complete rifles shown with standard accessory package. All orders must comply with all applicable Federal, State and Local laws. All prices, configurations and specifications subject to change without notice.

**Visit our Online Showroom at www.rockriverarms.com
for all the latest product information and Secure Online Ordering!**

Rock River Arms, Inc.

1042 Cleveland Road • Colona, IL 61241 • Toll Free Order Line: 866-980-ROCK (7625)

Tel: 309-792-5780 • Fax: 309-792-5781 • Email: info@rockriverarms.com



RRA LAR-15™ Pro-Series Rifle Packages	4 / 6
RRA LAR-15™ Custom Rifles and Pistols - .223 Caliber	7 / 17
Complete Upper Halves - .223 Caliber	17 / 22
NM Upper Halves and NM Parts	23
RRA LAR-6.8™ 6.8mm SPC Rifles and Upper Halves	24
RRA LAR-458™ .458 SOCOM Rifle and Upper Half	25
RRA LAR-8™ .308 Caliber Rifles	26 / 27
RRA LAR-9™ 9mm Rifles, Pistols, Upper Halves and Parts	28 / 31
Barrel Assemblies and Barrel Assembly Parts	32 / 33
Upper Receivers and Upper Receiver Parts	34 / 35
Lower Receivers and Lower Receiver Parts	35 / 36
Buttstocks and Related	37
Handguards, Rail Systems and Related	38 / 39
Accessories	40 / 46
RRA Logo Gear and Gifts	47

DEA

**One tough, reliable firearm.
Just ask the DEA.**

EOTech 552 HoloSight

Flip-up Rear Sight

RRA Forged A4
Upper Receiver

6-position
Tactical CAR Stock

RRA Mil-Spec Forged Lower Receiver
Mil-Spec Internals

Hogue Rubber Grip

RRA Two Stage Trigger

Chrome Lined
1:9 Twist Barrel

Side Mount Sling Swivel

SureFire M73 Quad Rail Handguard
SureFire M951 WeaponLight

The Pro-Series Government

It's been kicked, beaten and stepped on, yet it still comes back for more. The DEA awarded Rock River Arms with a 5 year contract proving Rock River Arms LAR-15™ to be more rugged and reliable than the competition. If you are looking for one tough, reliable firearm, look no further . . .

The Pro-Series Government.

The Pro-Series Government Package

With VTAC Sling, Eagle Discreet Rifle Case, Cleaning Kit, One 30 Round Mag, Manual and RRA Warranty.

GOVT1001 **\$2,325**

STANDARD CONFIGURATION

CALIBER	.223/5.56mm NATO Chamber
UPPER RECEIVER	Forged A4
BARREL	Chrome Lined 16" Chrome Moly, 1:9 Twist
MUZZLE DEVICE	A2 Flash Hider / 1/2-28 Thread
TRIGGER	RRA Two Stage
REAR SIGHT	Flip-up Rear Sight
PISTOL GRIP	Hogue Rubber
BUTTSTOCK	6-Position Tactical CAR Stock
HANDGUARD	SureFire M73 Quad Rail
LIGHT SYSTEM	SureFire M951 WeaponLight
SIGHT	EOTech 552 HoloSight
WEIGHT / LENGTH	8.2 Pounds / 36 Inches
ACCURACY	1.5 MOA at 100 Yards

Substitutions are not available on RRA Pro-Series Rifle Packages.

RRA Tactical Muzzle Brake

Chrome Lined
1:9 Twist Barrel

SureFire M910A-WH Vertical
Foregrip WeaponLight

Flip Front Sight Gas Block Assembly
MWI Front Sling Adapter

Daniel Defense 12.0 FSPM Quad Rail Handguard

Aimpoint Comp M2 Sight
Aimpoint QRP Mount & Spacer

RRA Forged A4 Upper Receiver

A.R.M.S. #40L
Flip-up Rear Sight

Badger Tactical Latch

MWI End Plate
Adapter Loop

The Pro-Series ELITE

The Pro-Series ELite Package

Comes complete with Five 30 Round Mags,
Eagle Discreet Rifle Case, Manual
and RRA Warranty AR1731 **\$2,930**

STANDARD CONFIGURATION

CALIBER	.223/5.56mm NATO Chamber
UPPER RECEIVER	Forged A4
BARREL	Chrome Lined 16" Chrome Moly, 1:9 Twist
MUZZLE DEVICE	RRA Tactical Muzzle Brake / 1/2-28 Thread
GAS BLOCK	Flip Front Sight Gas Block Assembly
TRIGGER	RRA Two Stage
TRIGGER GUARD	Winter Trigger Guard
REAR SIGHT	A.R.M.S. #40L Low Profile Flip-up Rear Sight
PISTOL GRIP	ERGO Sure-Grip
BUTTSTOCK	6-Position Tactical CAR Stock
FRONT SLING MOUNT	MWI Front Sling Adapter
REAR SLING MOUNT	MWI CAR Stock End Plate Adapter Loop
HANDGUARD	Daniel Defense 12.0 FSPM Quad Rail Handguard
FORE GRIP	SureFire M910A-WH Vertical Foregrip WeaponLight
SIGHT & MOUNT	Aimpoint Comp M2, QRP Mount and Spacer
WEIGHT / LENGTH	9.5 Pounds / 36 Inches
ACCURACY	1.5 MOA at 100 Yards

Substitutions are not available on RRA Pro-Series Rifle Packages.

RRA Two Stage Trigger

RRA Winter Trigger Guard

ERGO Sure-Grip

RRA Mil-Spec Forged Lower Receiver
Mil-Spec Internals

6-position
Tactical CAR Stock

PRO-SERIES
TASC

Smith Vortex Flash Hider
Chrome Lined
1:9 Twist Barrel

SureFire M85 Mid-Length
Tactical Rail Handguard

Graphite Fore Grip

EOTech 511 HoloSight

Midwest Industries
A2 Adjustable Cantilever Mount

RRA Forged A2
Upper Receiver

Lockable Windage &
Elevation Rear Sight

The Pro-Series
TASC

The Pro-Series TASC Package

Comes complete with Five 30 Round Mags,
Eagle Discreet Rifle Case, Manual
and RRA Warranty AR1741 **\$2,035**

STANDARD CONFIGURATION

CALIBER	.223/5.56mm NATO Chamber
UPPER RECEIVER	Forged A2
BARREL	Chrome Lined 16" Chrome Moly, 1:9 Twist
MUZZLE DEVICE	Smith Vortex Flash Hider / 1/2-28 Thread
TRIGGER	RRA Two Stage
TRIGGER GUARD	Winter Trigger Guard
REAR SIGHT	A2 with Lockable Windage & Elevation
PISTOL GRIP	Hogue Rubber
BUTTSTOCK	6-Position Tactical CAR Stock
HANDGUARD	SureFire M85 Mid-Length Quad Rail
FORE GRIP	Graphite Fore Grip
SIGHT	EOTech 511 HoloSight
SIGHT MOUNT	Midwest Industries A2 Adjustable Cantilever
WEIGHT / LENGTH	8.7 Pounds / 36.5 Inches
ACCURACY	1.5 MOA at 100 Yards

Substitutions are not available on RRA Pro-Series Rifle Packages.

RRA Two Stage Trigger
RRA Winter Trigger Guard

Hogue Rubber Grip

RRA Mil-Spec Forged Lower Receiver
Mil-Spec Internals

6-position
Tactical CAR Stock



RRA Tactical Muzzle Brake

Chrome Lined
1-9 Twist Barrel

RRA Flip Front Sight
Gas Block Assembly

RRA Mil-Spec Forged Lower Receiver
Mil-Spec Internals

New RRA Half Quad Free Float
Mid-Length Handguard

RRA Forged A4
Upper Receiver

PADS Flip Rear Sight

Elite Comp

Standard Configuration..... AR1270 **\$1,480**

STANDARD CONFIGURATION

CALIBER	.223/5.56mm NATO Chamber
UPPER RECEIVER	Forged A4
BARREL	Chrome Lined 16" Chrome Moly, 1:9 Twist
MUZZLE DEVICE	RRA Tactical Muzzle Brake / 1/2-28 Thread
GAS BLOCK	RRA Flip Front Sight Gas Block Assembly
TRIGGER	RRA Two Stage
TRIGGER GUARD	Winter Trigger Guard
SAFETY SELECTOR	Star
REAR SIGHT	PADS Flip Rear Sight
PISTOL GRIP	ERGO SureGrip
BUTTSTOCK	Magpul CTR Stock
HANDGUARD	RRA Half Quad Free Float Mid-Length
WEIGHT	8.4 Pounds
LENGTH	36.75 Inches
ACCURACY	1.5 MOA at 100 Yards
INCLUDED	One Mag, Safe Case, Manual, Warranty

Magpul
CTR Stock

RRA Two Stage Trigger
RRA Winter Trigger Guard
ERGO SureGrip

OPTIONS & UPGRADES

Substitute Hogue Rubber Pistol Grip	No Charge
Substitute Badger Tactical Latch on Charging Handle	Add \$23
Substitute PRi Gas Buster Charging Handle	Add \$65
Substitute Ambidextrous Safety Selector	Add \$25
Substitute Ambidextrous Mag Catch	Add \$88

R-4 Barrel Profile

Detachable Side Mount
Sling Swivel

AR1251 shown with
Tactical Carry Handle

Entry Tactical

RRA
Two Stage
Trigger

Hogue Rubber Grip

Tactical
CAR Stock

With 16" Chrome Moly R-4 Barrel, 1:9 Twist

Without Carry Handle or Mount	AR1252	\$970
With A2 Carry Handle Assembly	AR1253	\$1,015
With Tactical Carry Handle Assembly	AR1251	\$1,050
With Dominator2 EOTech Mount	AR1250	\$1,060

With CHROME LINED 16" Chrome Moly R-4 Barrel, 1:9 Twist

Without Carry Handle or Mount	AR1256	\$1,010
With A2 Carry Handle Assembly	AR1257	\$1,055
With Tactical Carry Handle Assembly	AR1255	\$1,090
With Dominator2 EOTech Mount	AR1259	\$1,100

STANDARD CONFIGURATION

CALIBER	.223/5.56mm NATO Chamber
UPPER RECEIVER	Forged A4
MUZZLE DEVICE	A2 Flash Hider / 1/2-28 Thread
TRIGGER / SAFETY SELECTOR	RRA Two Stage / Star
PISTOL GRIP	Hogue Rubber
HANDGUARD	R-4 Handguard with Double Heat Shields
BUTTSTOCK	6-Position Tactical CAR Stock
WEIGHT / LENGTH	7.5 Pounds / 36 Inches
ACCURACY	1 MOA at 100 Yards
INCLUDED	One Mag, Safe Case, Manual, Warranty

AR1215 - With R-4 Handguard
and A2 Buttstock

Lockable Windage and
Elevation Rear Sight

Hogue Rubber Grip

AR1241 - With Mid-Length Handguard
and 6-Position Tactical Stock

TASC Rifle

RRA
Two Stage
Trigger

With R-4 Handguard

With A2 Buttstock	AR1215	\$985
With 6-Position Tactical Stock	AR1216	\$1,000

With Mid-Length Handguard

With A2 Buttstock	AR1240	\$985
With 6-Position Tactical Stock	AR1241	\$1,000

STANDARD CONFIGURATION

CALIBER	.223/5.56mm NATO Chamber
UPPER	Forged A2, Lockable Windage & Elevation Rear Sight
BARREL	16" Chrome Moly, 1:9 Twist
MUZZLE DEVICE	A2 Flash Hider / 1/2-28 Thread
TRIGGER / SAFETY SELECTOR	RRA Two Stage / Star
PISTOL GRIP	Hogue Rubber
WEIGHT / LENGTH	7.5 Pounds / 35.25 Inches
ACCURACY	1 MOA at 100 Yards
INCLUDED	One Mag, Safe Case, Manual, Warranty

OPTIONS & UPGRADES

Substitute Green Furniture	Add \$10	Substitute Quad Rail Aluminum Free Float, Mid-Length	Add \$125
Substitute A2 Buttstock or Entry Buttstock	No Charge	Substitute SureFire M73 Tactical Rail, CAR	Add \$205
Substitute ACE ARFX-E Stock (for 6-Position Stock)	Add \$25	Substitute Daniel Defense Quad Rail 9.5FSP, CAR	Add \$310
Substitute CAA Tactical Buttstock (for A2 Buttstock)	Add \$55	Substitute A.R.M.S. #41BL Folding Front Sight	Add \$145
Substitute CAA Tactical Buttstock (for 6-Position Stock)	Add \$45	Substitute A.R.M.S. #41B Folding Front Sight	Add \$140
Substitute Magpul CTR Stock (for 6-Position Stock)	Add \$85	Substitute Smith Vortex Flash Hider	Add \$56.50
Substitute ERGO Pistol Grip	No Charge	Substitute Badger Tactical Latch on Charging Handle	Add \$23
Substitute Quad Rail Aluminum Free Float, CAR Length	Add \$120	Substitute PRI Gas Buster Charging Handle	Add \$65



AR1200 shown with Tactical Carry Handle

Detachable Side Mount Sling Swivel

Tactical CAR A4

STANDARD CONFIGURATION

CALIBER	.223/5.56mm NATO Chamber
UPPER RECEIVER	Forged A4
MUZZLE DEVICE	A2 Flash Hider / 1/2-28 Thread
TRIGGER	RRA Two Stage
SAFETY SELECTOR	Star
PISTOL GRIP	Hogue Rubber
HANDGUARD	R-4 Handguard
BUTTSTOCK	6-Position Tactical CAR Stock
WEIGHT	7.5 Pounds
LENGTH	36 Inches
ACCURACY	1 MOA at 100 Yards
INCLUDED	One Mag, Safe Case, Manual, Warranty

RRA Two Stage Trigger

Hogue Rubber Grip

Tactical CAR Stock

With 16" Chrome Moly Barrel, 1:9 Twist

Without Carry Handle or Mount	AR1201	\$970
With A2 Carry Handle Assembly	AR1202	\$1,015
With Tactical Carry Handle Assembly	AR1200	\$1,050
With Dominator2 EOTech Mount	AR1204	\$1,060

With CHROME LINED 16" Chrome Moly Barrel, 1:9 Twist

Without Carry Handle or Mount	AR1207	\$1,010
With A2 Carry Handle Assembly	AR1208	\$1,055
With Tactical Carry Handle Assembly	AR1206	\$1,090
With Dominator2 EOTech Mount	AR1210	\$1,100



AR1225 shown with Tactical Carry Handle

Detachable Side Mount Sling Swivel

Elite CAR A4

STANDARD CONFIGURATION

CALIBER	.223/5.56mm NATO Chamber
UPPER RECEIVER	Forged A4
MUZZLE DEVICE	A2 Flash Hider / 1/2-28 Thread
TRIGGER	RRA Two Stage
SAFETY SELECTOR	Star
PISTOL GRIP	Hogue Rubber
HANDGUARD	Mid-Length Handguard
BUTTSTOCK	6-Position Tactical CAR Stock
WEIGHT	7.7 Pounds
LENGTH	36 Inches
ACCURACY	1 MOA at 100 Yards
INCLUDED	One Mag, Safe Case, Manual, Warranty

RRA Two Stage Trigger

Hogue Rubber Grip

Tactical CAR Stock

With 16" Chrome Moly Barrel, 1:9 Twist

Without Carry Handle or Mount	AR1226	\$970
With A2 Carry Handle Assembly	AR1227	\$1,015
With Tactical Carry Handle Assembly	AR1225	\$1,050
With Dominator2 EOTech Mount	AR1224	\$1,060

With CHROME LINED 16" Chrome Moly Barrel, 1:9 Twist

Without Carry Handle or Mount	AR1231	\$1,010
With A2 Carry Handle Assembly	AR1232	\$1,055
With Tactical Carry Handle Assembly	AR1230	\$1,090
With Dominator2 EOTech Mount	AR1234	\$1,100

OPTIONS & UPGRADES

Substitute Green Furniture	Add \$10	Substitute Quad Rail Aluminum Free Float, CAR Length	Add \$120
Substitute A2 Buttstock or Entry Buttstock	No Charge	Substitute Quad Rail Aluminum Free Float, Mid-Length	Add \$125
Substitute ACE Skeleton ARFX-E Stock	Add \$25	Substitute SureFire M73 Tactical Rail, CAR	Add \$205
Substitute Magpul CTR Stock	Add \$85	Substitute SureFire M85 Tactical Rail, Mid-Length	Add \$205
Substitute RRA Half Quad Free Float, Mid-Length	Add \$125	Substitute Daniel Defense Quad Rail 9.5FSP, CAR	Add \$310



Tactical CAR UTE2

Standard Configuration AR1205 **\$1,035**

STANDARD CONFIGURATION

CALIBER	.223/5.56mm NATO Chamber
UPPER RECEIVER	Forged UTE2 - Universal Tactical Entry
BARREL	16" Chrome Moly, 1:9 Twist
MUZZLE DEVICE	A2 Flash Hider / 1/2-28 Thread
TRIGGER	RRA Two Stage
SAFETY SELECTOR	Star
PISTOL GRIP	Hogue Rubber
HANDGUARD	R-4 Handguard
BUTTSTOCK	6-Position Tactical CAR Stock
WEIGHT	7.5 Pounds
LENGTH	36 Inches
ACCURACY	1 MOA at 100 Yards
INCLUDED	One Mag, Safe Case, Manual, Warranty

OPTIONS & UPGRADES

Substitute Green Furniture	Add \$10
Substitute ACE Skeleton ARFX-E Stock, Entry Length	Add \$25
Substitute Magpul CTR Stock	Add \$85
Substitute ERGO Pistol Grip	No Charge
Substitute Quad Rail Aluminum Free Float, CAR Length	Add \$120
Substitute SureFire M73 Tactical Rail Handguard	Add \$205
Substitute Daniel Defense Quad Rail 9.5FSP, CAR Length	Add \$310
Substitute Weaver Type Gas Block Sight Base	Add \$35
Substitute Stainless Steel Barrel, 1:8 Twist	Add \$65
Substitute Smith Vortex Flash Hider	Add \$56.50
Substitute Winter Trigger Guard	Add \$10
Substitute Badger Tactical Latch on Charging Handle	Add \$23
Substitute Ambidextrous Safety Selector	Add \$25
Substitute Ambidextrous Mag Catch	Add \$88



Elite CAR UTE2

Standard Configuration AR1229 **\$1,035**

STANDARD CONFIGURATION

CALIBER	.223/5.56mm NATO Chamber
UPPER RECEIVER	Forged UTE2 - Universal Tactical Entry
BARREL	16" Chrome Moly, 1:9 Twist
MUZZLE DEVICE	A2 Flash Hider / 1/2-28 Thread
TRIGGER	RRA Two Stage
SAFETY SELECTOR	Star
PISTOL GRIP	Hogue Rubber
HANDGUARD	Mid-Length Handguard
BUTTSTOCK	6-Position Tactical CAR Stock
WEIGHT / LENGTH	7.7 Pounds / 36 Inches
ACCURACY	1 MOA at 100 Yards
INCLUDED	One Mag, Safe Case, Manual, Warranty

OPTIONS & UPGRADES

Substitute Green Furniture	Add \$10
Substitute ACE Skeleton ARFX-E Stock, Entry Length	Add \$25
Substitute RRA Half Quad Free Float, Mid-Length	Add \$125
Substitute Quad Rail Aluminum Free Float, Mid-Length	Add \$125
Substitute SureFire M85 Tactical Rail Handguard	Add \$205
Substitute Daniel Defense Quad Rail 9.0, Mid-Length	Add \$300
Substitute Chrome Lined Barrel, 1:9 Twist	Add \$40
Substitute Stainless Steel Barrel, 1:8 Twist	Add \$65
Substitute RRA Flip Front Sight Gas Block Assembly	Add \$80
Substitute A.R.M.S. #41BL Folding Front Sight	Add \$145
Substitute Low Profile Gas Block	Add \$15
Substitute Smith Vortex Flash Hider	Add \$56.50

CAR A2

Standard Configuration AR1293 **\$960**
 With 6-Position Tactical Stock AR1295 **\$975**

STANDARD CONFIGURATION

CALIBER	.223/5.56mm NATO Chamber
UPPER RECEIVER	Forged A2
BARREL	16" Chrome Moly, 1:9 Twist
MUZZLE DEVICE	A2 Flash Hider / 1/2-28 Thread
TRIGGER	RRA Two Stage
HANDGUARD	CAR Length
PISTOL GRIP / BUTTSTOCK	A2 Grip / A2 Buttstock
WEIGHT / LENGTH	7.5 Pounds / 35.25 Inches
ACCURACY	1 MOA at 100 Yards
INCLUDED	One Mag, Safe Case, Manual, Warranty



CAR A2 - AR1295
 CAR A2 with 6-Position Tactical Stock

CAR A4

Standard Configuration AR1221 **\$925**
 With 6-Position Tactical Stock AR1222 **\$940**

STANDARD CONFIGURATION

CALIBER	.223/5.56mm NATO Chamber
UPPER RECEIVER	Forged A4
BARREL	16" Chrome Moly, 1:9 Twist
MUZZLE DEVICE	A2 Flash Hider / 1/2-28 Thread
TRIGGER	RRA Two Stage
HANDGUARD	CAR Length
PISTOL GRIP / BUTTSTOCK	A2 Grip / A2 Buttstock
WEIGHT / LENGTH	7.1 Pounds / 35.25 Inches
ACCURACY	1 MOA at 100 Yards
INCLUDED	One Mag, Safe Case, Manual, Warranty



CAR A4
 AR1291 . . . **\$1,060**
 CAR A4 with 6-Position Tactical Stock
 and Quad Rail Free Float

OPTIONS & UPGRADES

Substitute Green Furniture	Add \$10	Substitute Quad Rail Free Float, CAR Length	Add \$120
Substitute Entry Buttstock	No Charge	Substitute SureFire M73 Tactical Rail Handguard	Add \$205
Substitute CAA Tactical Buttstock (for A2 Buttstock)	Add \$55	Substitute Daniel Defense Quad Rail 7.0, CAR Length	Add \$255
Substitute ACE Skeleton ARFX (for A2 Buttstock)	Add \$35	Substitute Daniel Defense Quad Rail 9.5FSP, CAR	Add \$310
Substitute ACE Skeleton ARFX-E (for A2 Buttstock)	Add \$35	Substitute Daniel Defense Quad Rail 12.0FSP, CAR	Add \$360
Substitute Magpul CTR Stock (for A2 Buttstock)	Add \$100	Substitute Chrome Lined Barrel, 1:9 Twist	Add \$40
Substitute Hogue Rubber Pistol Grip	Add \$20	Substitute Stainless Steel Barrel, 1:8 Twist	Add \$65
Substitute ERGO Pistol Grip	Add \$20	Substitute A.R.M.S. #41BL Folding Front Sight	Add \$145
Substitute ERGO Tactical Pistol Grip	Add \$55	Substitute Smith Vortex Flash Hider	Add \$56.50
Substitute Black R-4 Handguard, w/double heat shield	Add \$7.50	Substitute AWB Compliant Muzzle Brake	Add \$35
Substitute Aluminum Free Float Tube, CAR Length	Add \$55	Substitute Weaver Type Gas Block Sight Base	Add \$35
Substitute Hogue Free Float Tube, CAR Length	Add \$80	Substitute Ambidextrous Safety Selector	Add \$25

Mid-Length A2

Standard Configuration AR1294 **\$960**
 With 6-Position Tactical Stock AR1296 **\$975**

STANDARD CONFIGURATION

CALIBER	.223/5.56mm NATO Chamber
UPPER RECEIVER	Forged A2
BARREL	16" Chrome Moly, 1:9 Twist
MUZZLE DEVICE	A2 Flash Hider / 1/2-28 Thread
TRIGGER	RRA Two Stage
HANDGUARD	Mid-Length
PISTOL GRIP / BUTTSTOCK	A2 Grip / A2 Buttstock
WEIGHT / LENGTH	7.5 Pounds / 35.25 Inches
ACCURACY	1 MOA at 100 Yards
INCLUDED	One Mag, Safe Case, Manual, Warranty



Mid-Length A4

Standard Configuration AR1238 **\$925**
 With 6-Position Tactical Stock AR1239 **\$940**

STANDARD CONFIGURATION

CALIBER	.223/5.56mm NATO Chamber
UPPER RECEIVER	Forged A4
BARREL	16" Chrome Moly, 1:9 Twist
MUZZLE DEVICE	A2 Flash Hider / 1/2-28 Thread
TRIGGER	RRA Two Stage
HANDGUARD	Mid-Length
PISTOL GRIP / BUTTSTOCK	A2 Grip / A2 Buttstock
WEIGHT / LENGTH	7.1 Pounds / 35.25 Inches
ACCURACY	1 MOA at 100 Yards
INCLUDED	One Mag, Safe Case, Manual, Warranty



OPTIONS & UPGRADES

Substitute Green Furniture	Add \$10	Substitute SureFire M85 Tactical Rail Handguard	Add \$205
Substitute Entry Buttstock	No Charge	Substitute Daniel Defense Quad Rail 9.0, Mid-Length	Add \$300
Substitute CAA Tactical Buttstock (for A2 Buttstock)	Add \$55	Substitute Daniel Defense Quad Rail 12.0FSPM, Mid	Add \$360
Substitute ACE Skeleton ARFX (for A2 Buttstock)	Add \$35	Substitute Chrome Lined Barrel, 1:9 Twist	Add \$40
Substitute ACE Skeleton ARFX-E (for A2 Buttstock)	Add \$35	Substitute Stainless Steel Barrel, 1:8 Twist	Add \$65
Substitute Hogue Rubber Pistol Grip	Add \$20	Substitute A.R.M.S. #41BL Folding Front Sight	Add \$145
Substitute ERGO Pistol Grip	Add \$20	Substitute Smith Vortex Flash Hider	Add \$56.50
Substitute Aluminum Free Float Tube, Mid-Length	Add \$55	Substitute Weaver Type Gas Block Sight Base	Add \$35
Substitute RRA Half Quad Free Float, Mid-Length	Add \$125	Substitute Ambidextrous Safety Selector	Add \$25
Substitute Quad Rail Free Float, Mid-Length	Add \$125	Substitute Ambidextrous Mag Catch	Add \$88



Standard A2

Standard Configuration AR1280 **\$980**

STANDARD CONFIGURATION

CALIBER	.223 Wylde Chamber
UPPER RECEIVER	Forged A2
BARREL	20" Chrome Moly HBAR, 1:9 Twist
MUZZLE DEVICE	A2 Flash Hider / 1/2-28 Thread
TRIGGER	RRA Two Stage
PISTOL GRIP	A2 Pistol Grip
HANDGUARD	A2 Handguard
BUTTSTOCK	A2 Buttstock
WEIGHT	8.6 Pounds
LENGTH	39 Inches
ACCURACY	1 MOA at 100 Yards
INCLUDED	One Mag, Safe Case, Manual, Warranty

RRA
Two Stage
Trigger

OPTIONS & UPGRADES

Substitute Green Furniture	Add \$10
Substitute ACE Skeleton ARFX Stock, A2 Length	Add \$35
Substitute Hogue Rubber Pistol Grip	Add \$20
Substitute Aluminum Free Float Tube, Rifle Length	Add \$55
Substitute Hogue Free Float Tube, Rifle Length, Black	Add \$80
Substitute Hogue Free Float Tube, Rifle Length, Green	Add \$85
Substitute Quad Rail Aluminum Free Float, Rifle Length	Add \$160
Substitute SureFire M82 Tactical Rail Handguard	Add \$250
Substitute Daniel Defense Quad Rail 12.0, Rifle Length	Add \$355
Substitute Chrome Lined Barrel, 1:9 Twist	Add \$40
Substitute Stainless Steel Barrel, 1:8 Twist	Add \$65
Substitute Smith Vortex Flash Hider	Add \$56.50
Substitute Weaver Type Gas Block Sight Base	Add \$35



Standard A4

Standard Configuration AR1288 **\$940**

STANDARD CONFIGURATION

CALIBER	.223 Wylde Chamber
UPPER RECEIVER	Forged A4
BARREL	20" Chrome Moly HBAR, 1:9 Twist
MUZZLE DEVICE	A2 Flash Hider / 1/2-28 Thread
TRIGGER	RRA Two Stage
PISTOL GRIP	A2 Pistol Grip
HANDGUARD	A2 Handguard
BUTTSTOCK	A2 Buttstock
WEIGHT	8.2 Pounds
LENGTH	39 Inches
ACCURACY	1 MOA at 100 Yards
INCLUDED	One Mag, Safe Case, Manual, Warranty

RRA
Two Stage
Trigger

OPTIONS & UPGRADES

Substitute Green Furniture	Add \$10
Substitute ACE Skeleton ARFX Stock, A2 Length	Add \$35
Substitute ERGO Pistol Grip	Add \$20
Substitute Aluminum Free Float Tube, Rifle Length	Add \$55
Substitute Hogue Free Float Tube, Rifle Length, Black	Add \$80
Substitute Quad Rail Lightweight Free Float, Rifle Length	Add \$160
Substitute SureFire M82 Tactical Rail Handguard	Add \$250
Substitute Daniel Defense Quad Rail 12.0, Rifle Length	Add \$355
Substitute Chrome Lined Barrel, 1:9 Twist	Add \$40
Substitute Stainless Steel Barrel, 1:8 Twist	Add \$65
Substitute RRA Flip Front Sight Gas Block Assembly	Add \$80
Substitute Low Profile Gas Block	Add \$15
Substitute Weaver Type Gas Block Sight Base	Add \$35
Substitute PRI Gas Buster Charging Handle	Add \$65

What is a Wylde Chamber?

The .223 Wylde chamber was designed as a match chambering for semi-automatic rifles. It will accommodate both .223 Rem and 5.56 NATO ammunition. It is relieved in the case body to aid in extraction and features a shorter throat for improved accuracy.

Match Rear Sight

NM A2

Standard Configuration AR1285 **\$1,200**

STANDARD CONFIGURATION

CALIBER	.223 Wylde Chamber
UPPER RECEIVER	Forged A2
BARREL	20" Air Gauged Heavy Match Stainless Steel, 1:8 Twist
MUZZLE DEVICE	A2 Flash Hider / 1/2-28 Thread
TRIGGER	RRA Two Stage Match
PISTOL GRIP	A2 Pistol Grip
HANDGUARD	Free Float, High Temp Thermo Mold, NM Sleeve
BUTTSTOCK	A2 Buttstock
REAR SIGHT	Match 1/2 x 1/2 min, .040 Hooded Aperture
FRONT SIGHT	NM .050 Post
WEIGHT	9.7 Pounds
LENGTH	39 Inches
ACCURACY	3/4 MOA at 100 Yards
INCLUDED	20 Round Mag, Safe Case, Manual, Warranty

Free Float
Thermo
Mold
Handguards

RRA
Two Stage
Match Trigger



Add a **Turner Saddlery All Weather Synthetic Service Rifle Sling**

54/56 inch adjustable, with mil-spec parkerized steel hardware, CMP approved.

Black AR0139B **\$65**
Green AR0139G **\$65**

OPTIONS & UPGRADES

Substitute Green Furniture	Add \$10
Substitute 1/4 x 1/4 min Match Sight	No Charge
Substitute .030 Hooded Aperture	No Charge
Bead Blast Stainless Steel Barrel	Add \$35

A4 with NM Carry Handle (Patent Pending)

CMP Approved!

NM A4

With NM Carry Handle

Standard Configuration AR1286 **\$1,250**

STANDARD CONFIGURATION

CALIBER	.223 Wylde Chamber
UPPER RECEIVER	Forged A4 with NM Carry Handle
BARREL	20" Air Gauged Heavy Match Stainless Steel, 1:8 Twist
MUZZLE DEVICE	A2 Flash Hider / 1/2-28 Thread
TRIGGER	RRA Two Stage Match
PISTOL GRIP	A2 Pistol Grip
HANDGUARD	Free Float, High Temp Thermo Mold, NM Sleeve
BUTTSTOCK	A2 Buttstock
REAR SIGHT	Match 1/2 x 1/2 min, .040 Hooded Aperture
FRONT SIGHT	NM .050 Post
WEIGHT	9.7 Pounds
LENGTH	39 Inches
ACCURACY	3/4 MOA at 100 Yards
INCLUDED	20 Round Mag, Safe Case, Manual, Warranty

Free Float
Thermo
Mold
Handguards

RRA
Two Stage
Match Trigger

Add an **M&D DCM Handguard and Buttstock Weight**.

Handguard Weight, 3.6 pounds RFLWTFRT **\$35**
Buttstock Weight, 3.5 pounds RFLWTRR **\$25**



OPTIONS & UPGRADES

Substitute Green Furniture	Add \$10
Substitute 1/4 x 1/4 min Match Sight	No Charge
Substitute .030 Hooded Aperture	No Charge
Bead Blast Stainless Steel Barrel	Add \$35

Bull Barrel

Varmint EOP

EOP - Elevated Optical Platform

Bull Barrel

STANDARD CONFIGURATION

CALIBER	.223 Wylde Chamber	
UPPER RECEIVER	Forged EOP - Elevated Optical Platform	
BARREL	Air Gauged Bull Stainless Steel, 1:8 Twist	
BARREL DIAMETER	.920 in front of gas block - 1.050 under tube	
GAS BLOCK	Weaver Style Light Varmint with Sight Rail	
TRIGGER	RRA Two Stage Match	
TRIGGER GUARD	RRA Winter Trigger Guard	
HANDGUARD	Knurled and Fluted Free Float Aluminum Tube	
PISTOL GRIP / BUTTSTOCK	Hogue Rubber Grip / A2 Buttstock	
WEIGHT / LENGTH	16 INCH	8.2 Pounds / 34.25 Inches
	18 INCH	9.0 Pounds / 36.25 Inches
	20 INCH	9.5 Pounds / 38.25 Inches
	24 INCH	10.0 Pounds / 42.25 Inches
ACCURACY	3/4 MOA at 100 Yards	
INCLUDED	One Mag, Safe Case, Manual, Warranty	

RRA Two Stage Match Trigger

18 Inch Varmint EOP

RRA Winter Trigger Guard

Hogue Rubber Grip

Varmint EOP - 16 Inch Barrel	AR1505	\$1,115
Varmint EOP - 18 Inch Barrel	AR1516	\$1,125
Varmint EOP - 20 Inch Barrel	AR1525	\$1,135
Varmint EOP - 24 Inch Barrel	AR1555	\$1,145

OPTIONS & UPGRADES

Substitute 1:12 Twist Barrel on 24" Model	No Charge
Substitute Green Furniture, with Green Hogue Free Float, Green Hogue Grip and Green A2 Buttstock (available on 16", 20" and 24" only)	Add \$80
Substitute ERGO Tactical Pistol Grip	Add \$45
Substitute Hogue Free Float Tube, Rifle or CAR Length	Add \$55
Bead Blast Stainless Steel Barrel	Add \$35

20 Inch Varmint A4

Bull Barrel

Varmint A4

16 Inch Varmint A4

Bull Barrel

STANDARD CONFIGURATION

CALIBER	.223 Wylde Chamber	
UPPER RECEIVER	Forged A4	
BARREL	Air Gauged Bull Stainless Steel, 1:8 Twist	
BARREL DIAMETER	.920 in front of gas block - 1.050 under tube	
GAS BLOCK	Weaver Style Light Varmint with Sight Rail	
TRIGGER	RRA Two Stage Match	
TRIGGER GUARD	RRA Winter Trigger Guard	
HANDGUARD	Knurled and Fluted Free Float Aluminum Tube	
PISTOL GRIP / BUTTSTOCK	Hogue Rubber Grip / A2 Buttstock	
WEIGHT / LENGTH	16 INCH	7.9 Pounds / 34.25 Inches
	18 INCH	8.7 Pounds / 36.25 Inches
	20 INCH	9.2 Pounds / 38.25 Inches
	24 INCH	9.7 Pounds / 42.25 Inches
ACCURACY	3/4 MOA at 100 Yards	
INCLUDED	One Mag, Safe Case, Manual, Warranty	

RRA Two Stage Match Trigger

Hogue Rubber Grip

RRA Winter Trigger Guard

Varmint A4 - 16 Inch Barrel	AR1500	\$1,090
Varmint A4 - 18 Inch Barrel	AR1515	\$1,100
Varmint A4 - 20 Inch Barrel	AR1520	\$1,110
Varmint A4 - 24 Inch Barrel	AR1550	\$1,120

OPTIONS & UPGRADES

Substitute 1:12 Twist Barrel on 24" Model	No Charge
Substitute Green Furniture, with Green Hogue Free Float, Green Hogue Grip and Green A2 Buttstock (available on 16", 20" and 24" only)	Add \$80
Substitute ERGO Tactical Pistol Grip	Add \$45
Substitute Hogue Free Float Tube, Rifle or CAR Length	Add \$55
Bead Blast Stainless Steel Barrel	Add \$35

Heavy Match Barrel

PREDATOR PURSUIT RIFLE

All the features of our Varmint A4 but with the same 20 inch Heavy Match Stainless Steel Barrel used on our NM rifle, over 1 pound lighter to carry!

Standard Configuration AR1530 **\$1,110**

STANDARD CONFIGURATION

CALIBER	.223 Wylde Chamber
UPPER RECEIVER	Forged A4
BARREL	20" Air Gauged Heavy Match Stainless, 1:8 Twist
GAS BLOCK	Weaver Style Light Varmint with Sight Rail
TRIGGER	RRA Two Stage Match
TRIGGER GUARD	RRA Winter Trigger Guard
HANDGUARD	Knurled and Fluted Free Float Aluminum Tube
PISTOL GRIP / BUTTSTOCK	Hogue Rubber Grip / A2 Buttstock
WEIGHT / LENGTH	8.1 Pounds / 38.25 Inches
ACCURACY	3/4 MOA at 100 Yards
INCLUDED	One Mag, Safe Case, Manual, Warranty



RRA Two Stage Match Trigger

RRA Winter Trigger Guard

Hogue Rubber Grip

Add a **Flattop Riser Base**

AR0136ASY . . . \$55



OPTIONS & UPGRADES

Substitute Green Furniture, with Green Hogue Free Float Tube, Green Hogue Pistol Grip and Green A2 Buttstock	Add \$80
Substitute ACE Skeleton ARFX Stock, A2 Length	Add \$35
Substitute Magpul PRS Stock	Add \$230
Substitute ERGO Pistol Grip	No Charge
Substitute ERGO Tactical Pistol Grip	Add \$45
Substitute Hogue Free Float Tube, Rifle Length	Add \$55
Substitute Low Profile Gas Block	No Charge
Substitute RRA Flip Front Sight Gas Block Assembly	Add \$45
Substitute A. R. M. S. #41BL Folding Front Sight	Add \$145
Substitute Badger Tactical Latch on Charging Handle	Add \$23
Substitute PRI Gas Buster Charging Handle	Add \$65
Substitute Ambidextrous Mag Catch	Add \$88
Bead Blast Stainless Steel Barrel	Add \$35



Smith Vortex Flash Hider

Heavy Barrel

Hogue Free Float Tube

NEW! 16 Inch Carbine Model!

Coyote Rifle

STANDARD CONFIGURATION

CALIBER	RIFLE: .223 Wylde / CARBINE: 5.56 NATO
UPPER RECEIVER	Forged A4
BARREL	Chrome Moly HBAR, 1:9 Twist
MUZZLE DEVICE	Smith Vortex Flash Hider / 1/2-28 Thread
GAS BLOCK	Weaver Style Light Varmint with Sight Rail
TRIGGER / TRIGGER GUARD	Two Stage Match / Winter Trigger Guard
HANDGUARD	Hogue Overmolded Free Float Tube
PISTOL GRIP / BUTTSTOCK	Hogue Rubber / ACE ARFX Skeleton
RIFLE: WEIGHT / LENGTH	8.4 Pounds / 40 Inches
CARBINE: WEIGHT / LENGTH	7.0 Pounds / 36 Inches
ACCURACY	3/4 MOA at 100 Yards
INCLUDED	One Mag, Safe Case, Manual, Warranty



RRA Two Stage Match Trigger

RRA Winter Trigger Guard

Hogue Rubber Grip

ACE ARFX Skeleton Stock

Coyote Rifle - 20 Inch Barrel AR1535 **\$1,190**

Coyote Carbine - 16 Inch Barrel AR1540 **\$1,175**

OPTIONS & UPGRADES

Substitute Green Hogue Free Float Tube and Green Hogue Grip	Add \$10
Substitute Magpul PRS Stock	Add \$200
Substitute ERGO Tactical Pistol Grip	Add \$45
Substitute Badger Tactical Latch on Charging Handle	Add \$23
Substitute PRI Gas Buster Charging Handle	Add \$65
Substitute Ambidextrous Safety Selector	Add \$25
Substitute Ambidextrous Mag Catch	Add \$88

RRA LAR-15™ Pistols

RRA LAR-15™ PISTOLS

7 Inch A2 Pistol

with Aluminum Free Float Tube and A2 Front Sight
Standard Configuration AR2115 **\$955**

7 Inch A4 Pistol

with Aluminum Free Float Tube and Gas Block Sight Base
Standard Configuration AR2110 **\$990**

10 1/2 Inch A2 Pistol

with R-4 Handguard and A2 Front Sight
Standard Configuration AR2125 **\$945**

10 1/2 Inch A4 Pistol

with R-4 Handguard and Gas Block Sight Base
Standard Configuration AR2120 **\$945**



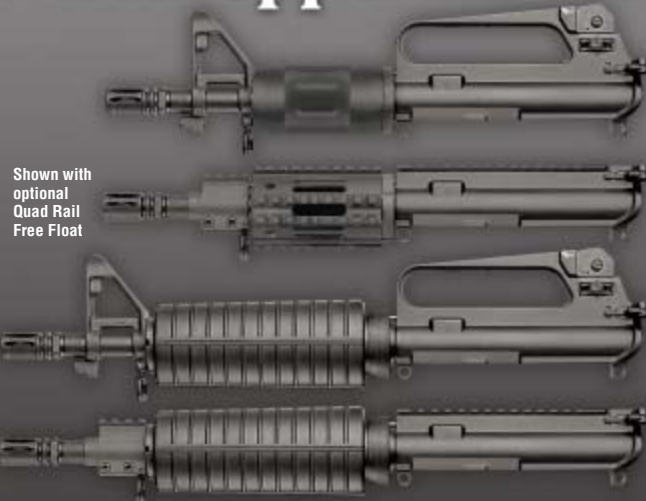
Shown with optional Quad Rail Free Float

All NFA rules apply.

STANDARD CONFIGURATION

CALIBER	.223/5.56mm NATO Chamber
UPPER RECEIVER	Forged A2 or Forged A4
BARREL	Chrome Moly: 7 Inch 1:9 Twist / 10.5 Inch 1:7 Twist
MUZZLE DEVICE	A2 Flash Hider / 1/2-28 Thread
TRIGGER / PISTOL GRIP	Single Stage / Hogue Rubber Grip
7 INCH A2: WEIGHT / LENGTH	5.1 Pounds / 23 Inches
7 INCH A4: WEIGHT / LENGTH	5.0 Pounds / 23 Inches
10 1/2 INCH A2: WEIGHT / LENGTH	5.5 Pounds / 26.5 Inches
10 1/2 INCH A4: WEIGHT / LENGTH	5.2 Pounds / 26.5 Inches
INCLUDED	One Mag, Manual, Warranty

Pistol Upper Halves



Shown with optional Quad Rail Free Float

Includes Bolt Carrier Group and Charging Handle Assembly

For pistol & SBR applications only; all NFA rules apply.

7 Inch A2 Pistol with A2 Front Sight,
Aluminum Free Float Tube AR0393B **\$545**

7 Inch A4 Pistol with Gas Block Sight Base,
Aluminum Free Float Tube AR0363B **\$555**

10 1/2 Inch A2 Pistol with A2 Front Sight,
R-4 Handguard AR0392B **\$500**

10 1/2 Inch A4 Pistol with Gas Block Sight Base,
R-4 Handguard AR0362B **\$510**

STANDARD CONFIGURATION

CALIBER	.223/5.56mm NATO Chamber
UPPER RECEIVER	Forged A2 or Forged A4
BARREL	Chrome Moly: 7 Inch 1:9 Twist / 10.5 Inch 1:7 Twist
MUZZLE DEVICE	A2 Flash Hider / 1/2-28 Thread

OPTIONS & UPGRADES

Substitute ERGO Pistol Grip	No Charge	Substitute Daniel Defense Quad Rail 9.5FSP, CAR	Add \$310
Substitute Quad Rail Aluminum Free Float, Pistol Length	Add \$60	Substitute Weaver Type Gas Block Sight Base	Add \$35
Substitute Quad Rail Aluminum Free Float, CAR Length	Add \$120	Substitute Smith Vortex Flash Hider	Add \$56.50
Substitute SureFire M73 Tactical Rail, CAR Length	Add \$205	Substitute Winter Trigger Guard	Add \$10

Entry Tactical



Includes Bolt Carrier Group
and Charging Handle Assembly

Standard Configuration AR0840B **\$625**

STANDARD CONFIGURATION

CALIBER	.223/5.56mm NATO Chamber
UPPER RECEIVER	Forged A4, with Detachable Tactical Carry Handle
BARREL	16" Chrome Moly R-4 Heavy, 1:9 Twist
MUZZLE DEVICE	A2 Flash Hider / 1/2-28 Thread
HANDGUARD	R-4 Handguard with Double Heat Shields

OPTIONS & UPGRADES

Substitute Green Handguard	Add \$5
Substitute Quad Rail Aluminum Free Float, CAR Length	Add \$120
Substitute SureFire M73 Tactical Rail Handguard	Add \$205
Substitute Daniel Defense Quad Rail 7.0, CAR Length	Add \$255
Substitute Daniel Defense Quad Rail 9.5FSP, CAR Length	Add \$310
Substitute Chrome Lined R-4 Barrel, 1:9 Twist	Add \$40
Substitute Smith Vortex Flash Hider	Add \$56.50
Substitute Weaver Type Gas Block Sight Base	Add \$35
Substitute RRA Flip Front Sight Gas Block Assembly	Add \$80
Substitute Dominator2 EOTech Mount for Tactical Handle	Add \$10

Tactical CAR A4



Includes Bolt Carrier Group
and Charging Handle Assembly

Standard Configuration AR0885B **\$625**

STANDARD CONFIGURATION

CALIBER	.223/5.56mm NATO Chamber
UPPER RECEIVER	Forged A4, with Detachable Tactical Carry Handle
BARREL	16" Chrome Moly, 1:9 Twist
MUZZLE DEVICE	A2 Flash Hider / 1/2-28 Thread
HANDGUARD	R-4 Handguard with Double Heat Shields

OPTIONS & UPGRADES

Substitute Green Handguard	Add \$5
Substitute Quad Rail Aluminum Free Float, CAR Length	Add \$120
Substitute SureFire M73 Tactical Rail Handguard	Add \$205
Substitute Daniel Defense Quad Rail 12.0FSP, CAR Length	Add \$360
Substitute Chrome Lined Barrel, 1:9 Twist	Add \$40
Substitute Stainless Steel Barrel, 1:8 Twist	Add \$65
Substitute Low Profile Gas Block	Add \$15
Substitute Smith Vortex Flash Hider	Add \$56.50
Substitute Badger Tactical Latch on Charging Handle	Add \$23

Elite CAR A4



Includes Bolt Carrier Group
and Charging Handle Assembly

Standard Configuration AR0872B **\$625**

STANDARD CONFIGURATION

CALIBER	.223/5.56mm NATO Chamber
UPPER RECEIVER	Forged A4, with Detachable Tactical Carry Handle
BARREL	16" Chrome Moly, 1:9 Twist
MUZZLE DEVICE	A2 Flash Hider / 1/2-28 Thread
HANDGUARD	Mid-Length Handguard

OPTIONS & UPGRADES

Substitute Green Handguard	Add \$5
Substitute RRA Half Quad Free Float, Mid-Length	Add \$125
Substitute Quad Rail Aluminum Free Float, Mid-Length	Add \$125
Substitute SureFire M85 Tactical Rail Handguard	Add \$205
Substitute Daniel Defense Quad Rail 9.0, Mid-Length	Add \$300
Substitute Chrome Lined Barrel, 1:9 Twist	Add \$40
Substitute Stainless Steel Barrel, 1:8 Twist	Add \$65
Substitute A.R.M.S. #41BL Folding Front Sight	Add \$145
Substitute Weaver Type Gas Block Sight Base	Add \$35
Substitute Badger Tactical Latch on Charging Handle	Add \$23

COMPLETE UPPER HALVES

TASC



Includes Bolt Carrier Group
and Charging Handle Assembly

With R-4 Handguards AR0893B **\$505**

With Mid-Length Handguards. AR0898B **\$505**

STANDARD CONFIGURATION

CALIBER	.223/5.56mm NATO Chamber
UPPER	Forged A2, Lockable Windage & Elevation Rear Sight
BARREL	16" Chrome Moly, 1:9 Twist
MUZZLE DEVICE	A2 Flash Hider / 1/2-28 Thread
HANDGUARD	R-4 Handguard with Double Heat Shields



AR0898B - With
Mid-Length Handguard

OPTIONS & UPGRADES

Substitute Green Handguard	Add \$5
Substitute Chrome Lined Barrel, 1:9 Twist	Add \$40
Substitute Stainless Steel Barrel, 1:8 Twist	Add \$65
Substitute Smith Vortex Flash Hider	Add \$56.50

Tactical CAR UTE2



Includes Bolt Carrier Group
and Charging Handle Assembly

Standard Configuration. AR0889B **\$600**

STANDARD CONFIGURATION

CALIBER	.223/5.56mm NATO Chamber
UPPER RECEIVER	One Piece Forged UTE2 - Universal Tactical Entry
BARREL	16" Chrome Moly, 1:9 Twist
MUZZLE DEVICE	A2 Flash Hider / 1/2-28 Thread
HANDGUARD	R-4 Handguard with Double Heat Shields

One Piece UTE2 Upper Receiver - with standard A4 rail height

OPTIONS & UPGRADES

Substitute Green Handguard	Add \$5
Substitute Quad Rail Aluminum Free Float, CAR Length	Add \$120
Substitute SureFire M73 Tactical Rail Handguard	Add \$205
Substitute Daniel Defense Quad Rail 7.0, CAR Length	Add \$255
Substitute Daniel Defense Quad Rail 9.5FSP, CAR Length	Add \$310
Substitute Daniel Defense Quad Rail 12.0FSP, CAR Length	Add \$360
Substitute Stainless Steel Barrel, 1:8 Twist	Add \$65
Substitute Smith Vortex Flash Hider	Add \$56.50
Substitute Badger Tactical Latch on Charging Handle	Add \$23

Elite CAR UTE2



Includes Bolt Carrier Group
and Charging Handle Assembly

Standard Configuration. AR0874B **\$600**

STANDARD CONFIGURATION

CALIBER	.223/5.56mm NATO Chamber
UPPER RECEIVER	One Piece Forged UTE2 - Universal Tactical Entry
BARREL	16" Chrome Moly, 1:9 Twist
MUZZLE DEVICE	A2 Flash Hider / 1/2-28 Thread
HANDGUARD	Mid-Length Handguard

One Piece UTE2 Upper Receiver - with standard A4 rail height

OPTIONS & UPGRADES

Substitute Green Handguard	Add \$5
Substitute Aluminum Free Float Tube, Mid-Length	Add \$55
Substitute RRA Half Quad Free Float, Mid-Length	Add \$125
Substitute Quad Rail Aluminum Free Float, Mid-Length	Add \$125
Substitute SureFire M85 Tactical Rail Handguard	Add \$205
Substitute Daniel Defense Quad Rail 9.0, Mid-Length	Add \$300
Substitute Stainless Steel Barrel, 1:8 Twist	Add \$65
Substitute Smith Vortex Flash Hider	Add \$56.50
Substitute Weaver Type Gas Block Sight Base	Add \$35
Substitute RRA Flip Front Sight Gas Block Assembly	Add \$80

COMPLETE UPPER HALVES

CAR A2

Mid-Length A2

Includes Bolt Carrier Group
and Charging Handle Assembly

CAR A2 with CAR Handguard
Standard Configuration AR0625B **\$500**

Mid-Length A2 with Mid-Length Handguard
Standard Configuration AR0675B **\$500**

STANDARD CONFIGURATION

CALIBER	.223/5.56mm NATO Chamber
UPPER RECEIVER	Forged A2
BARREL	16" Chrome Moly, 1:9 Twist
MUZZLE DEVICE	A2 Flash Hider / 1/2-28 Thread

Shown with optional
Stainless Steel Barrel

OPTIONS & UPGRADES

Substitute Green Handguard	Add \$5
Substitute Aluminum Free Float Tube	Add \$55
Substitute Hogue Free Float Tube, CAR Length	Add \$80
Substitute Chrome Lined Barrel, 1:9 Twist	Add \$40
Substitute Stainless Steel Barrel, 1:8 Twist	Add \$65
Substitute Smith Vortex Flash Hider	Add \$56.50
Substitute Badger Tactical Latch on Charging Handle	Add \$23

CAR A4

Mid-Length A4

Includes Bolt Carrier Group
and Charging Handle Assembly

CAR A4 with CAR Handguard
Standard Configuration AR0325B **\$475**

Mid-Length A4 with Mid-Length Handguard
Standard Configuration AR0375B **\$475**

STANDARD CONFIGURATION

CALIBER	.223/5.56mm NATO Chamber
UPPER RECEIVER	Forged A4
BARREL	16" Chrome Moly, 1:9 Twist
MUZZLE DEVICE	A2 Flash Hider / 1/2-28 Thread

OPTIONS & UPGRADES

Substitute Green Handguard	Add \$5
Substitute Aluminum Free Float Tube	Add \$55
Substitute RRA Half Quad Free Float, Mid-Length	Add \$125
Substitute Quad Rail Aluminum Free Float, CAR Length	Add \$120
Substitute Quad Rail Aluminum Free Float, Mid-Length	Add \$125
Substitute SureFire M73 Tactical Rail Handguard, CAR Length	Add \$205
Substitute SureFire M85 Tactical Rail Handguard, Mid-Length	Add \$205
Substitute Daniel Defense Quad Rail 7.0, CAR Length	Add \$255
Substitute Daniel Defense Quad Rail 9.0, Mid-Length	Add \$300
Substitute Daniel Defense Quad Rail 9.5FSP, CAR Length	Add \$310
Substitute Daniel Defense Quad Rail 12.0FSP, CAR Length	Add \$360
Substitute Chrome Lined Barrel, 1:9 Twist	Add \$40
Substitute Stainless Steel Barrel, 1:8 Twist	Add \$65
Substitute Weaver Type Gas Block Sight Base	Add \$35
Substitute RRA Flip Front Sight Gas Block Assembly	Add \$80

COMPLETE UPPER HALVES

Standard A2



Includes Bolt Carrier Group
and Charging Handle Assembly

20 Inch Chrome Moly HBAR 1:9 Twist Barrel

Standard Configuration AR0726B **\$525**

20 Inch Air Gauged Stainless Steel 1:8 Twist Barrel

Standard Configuration AR0727B **\$590**

STANDARD CONFIGURATION

CALIBER	.223 Wylde Chamber
UPPER RECEIVER	Forged A2
MUZZLE DEVICE	A2 Flash Hider / 1/2-28 Thread
HANDGUARD	A2 Handguard

OPTIONS & UPGRADES

Substitute Green Handguard	Add \$5
Substitute UTE2 Upper Receiver	Add \$40
Substitute Aluminum Free Float Tube, Rifle Length	Add \$55
Substitute Hogue Free Float Tube, Rifle Length	Add \$80
Substitute Quad Rail Aluminum Free Float, Rifle Length	Add \$160
Substitute SureFire M82 Tactical Rail Handguard	Add \$250
Substitute Daniel Defense Quad Rail 12.0, Rifle Length	Add \$355
Substitute Badger Tactical Latch on Charging Handle	Add \$23
Substitute Chrome Lined Barrel, 1:9 Twist	Add \$40
Substitute Smith Vortex Flash Hider	Add \$56.50
Substitute Ambidextrous Safety Selector	Add \$25
Substitute AWB Compliant Muzzle Brake	Add \$35

Standard A4



Includes Bolt Carrier Group
and Charging Handle Assembly

20 Inch Chrome Moly HBAR 1:9 Twist Barrel

Standard Configuration AR0450B **\$490**

20 Inch Air Gauged Stainless Steel 1:8 Twist Barrel

Standard Configuration AR0451B **\$555**

STANDARD CONFIGURATION

CALIBER	.223 Wylde Chamber
UPPER RECEIVER	Forged A4
MUZZLE DEVICE	A2 Flash Hider / 1/2-28 Thread
HANDGUARD	A2 Handguard

OPTIONS & UPGRADES

Substitute Green Handguard	Add \$5
Substitute Aluminum Free Float Tube, Rifle Length	Add \$55
Substitute Hogue Free Float Tube, Rifle Length	Add \$80
Substitute Quad Rail Aluminum Free Float, Rifle Length	Add \$160
Substitute SureFire M82 Tactical Rail Handguard	Add \$250
Substitute Daniel Defense Quad Rail 12.0, Rifle Length	Add \$355
Substitute Chrome Lined Barrel, 1:9 Twist	Add \$40
Substitute Low Profile Gas Block	Add \$15
Substitute Weaver Type Gas Block Sight Base	Add \$35
Substitute RRA Flip Front Sight Gas Block Assembly	Add \$80
Substitute A. R. M. S. #41BL Folding Front Sight	Add \$145
Substitute Smith Vortex Flash Hider	Add \$56.50
Substitute AWB Compliant Muzzle Brake	Add \$35

What is a Wylde Chamber?

The .223 Wylde chamber was designed as a match chambering for semi-automatic rifles. It will accommodate both .223 Rem and 5.56 NATO ammunition. It is relieved in the case body to aid in extraction and features a shorter throat for improved accuracy.

COMPLETE UPPER HALVES

Varmint EOP

Includes Bolt Carrier Group
and Charging Handle Assembly

- 16 Inch AR0510 **\$620**
- 18 Inch AR0530 **\$630**
- 20 Inch AR0560 **\$640**
- 24 Inch AR0579 **\$650**

Bull Barrel

STANDARD CONFIGURATION

CALIBER	.223 Wylde Chamber
UPPER RECEIVER	Forged EOP - Elevated Optical Platform
BARREL	Air Gauged Bull Stainless Steel, 1:8 Twist
BARREL DIAMETER	.920 in front of gas block - 1.050 under tube
GAS BLOCK	Weaver Style Light Varmint with Sight Rail
HANDGUARD	Knurled and Fluted Free Float Aluminum Tube

OPTIONS & UPGRADES

Substitute 1:12 Twist Barrel on 24" Model	No Charge
Substitute Hogue Free Float Tube, CAR Length	Add \$55
Substitute Hogue Free Float Tube, Rifle Length	Add \$55
Substitute Green Hogue Free Float Tube, 16", 20", 24" only	Add \$55
Bead Blast Stainless Steel Barrel	Add \$35

Varmint A4

Includes Bolt Carrier Group
and Charging Handle Assembly

- 16 Inch AR0500 **\$600**
- 18 Inch AR0525 **\$610**
- 20 Inch AR0550 **\$620**
- 24 Inch AR0575 **\$630**

Bull Barrel

STANDARD CONFIGURATION

CALIBER	.223 Wylde Chamber
UPPER RECEIVER	Forged A4
BARREL	Air Gauged Bull Stainless Steel, 1:8 Twist
BARREL DIAMETER	.920 in front of gas block - 1.050 under tube
GAS BLOCK	Weaver Style Light Varmint with Sight Rail
HANDGUARD	Knurled and Fluted Free Float Aluminum Tube

OPTIONS & UPGRADES

Substitute 1:12 Twist Barrel on 24" Model	No Charge
Substitute Hogue Free Float Tube, CAR Length	Add \$55
Substitute Hogue Free Float Tube, Rifle Length	Add \$55
Substitute Green Hogue Free Float Tube, 16", 20", 24" only	Add \$55
Bead Blast Stainless Steel Barrel	Add \$35

PREDATOR PURSUIT

With Heavy Match Stainless Steel Barrel

STANDARD CONFIGURATION

CALIBER	.223 Wylde Chamber
UPPER RECEIVER	Forged A4
BARREL	20" Air Gauged Heavy Match Stainless, 1:8 Twist
GAS BLOCK	Weaver Style Light Varmint with Sight Rail
HANDGUARD	Knurled and Fluted Free Float Aluminum Tube

Includes Bolt Carrier Group and Charging Handle Assembly

20 Inch Predator Pursuit Upper Half

Standard Configuration AR0565 **\$620**

OPTIONS & UPGRADES

Substitute Hogue Free Float Tube, Black or Green	Add \$55
Bead Blast Stainless Steel Barrel	Add \$35

COMPLETE UPPER HALVES

NM A2 / NM A4 Complete Upper Halves



NM A4 shown with NM Carry Handle available separately, below.

STANDARD CONFIGURATION

CALIBER	.223 Wylde Chamber
UPPER RECEIVER	Forged A2 or A4, selected for extra tight NM fit
BARREL	20" Air-Gauged Match Stainless Steel, 1:8 Twist
MUZZLE DEVICE	A2 Flash Hider / 1/2-28 Thread
HANDGUARD	Free Float, High Temp Thermo Mold with NM Sleeve
REAR SIGHT	A2 only: Match 1/2 x 1/2 min, .040 Hooded Aperture
FRONT SIGHT	.050 Post

Includes Bolt Carrier Group and Charging Handle Assembly
NM A2 Complete Upper Half AR0775B **\$720**
NM A4 Complete Upper Half AR0790B **\$670**

OPTIONS & UPGRADES

Substitute Green Handguard	No Charge
A2 - Substitute 1/4 x 1/4 min Match Sight	No Charge
A2 - Substitute .030 Hooded Aperture	No Charge
Bead Blast Stainless Steel Barrel	Add \$35



NM Complete Lower Half

With Rock River Arms Two Stage Match Trigger
 AR0940B **\$380**

NM Carry Handle



Patent pending. A true 0 to 600 yard capable carry handle!
 1/2min x 1/2min, .040 AR0052CNMASY **\$165**
 1/2min x 1/2min, .030 AR0052CNMASY2 **\$165**
 1/4min x 1/4min, .040 AR0052CNMASY3 **\$165**
 1/4min x 1/4min, .030 AR0052CNMASY4 **\$165**



RRA Two Stage Match Trigger Kit

AR0093NMK **\$120**
 To fit large pin lowers with block - AR0093NMKS **\$135**

NM Selected Fit Upper and Lower Receiver Set



Forged A2 upper receiver and forged lower receiver, specially selected for an extra tight NM fit!
 Match Receiver Set, stripped AR0114A2SET **\$380**

Forged A2 Upper Receiver Assembly

Complete with forward assist, port door and NM Sight - 1/4 min x 1/4 min or 1/2 min x 1/2 min, with .030 or .040 hooded aperture.
 AR0052ANMASY **\$225**

M&D DCM Rifle Weights



Handguard Weight 3.6 lbs RFLWTFRT **\$35**
 Buttstock Weight - 3.5 lbs RFLWTRR **\$25**

NM Free Float Barrel Sleeve

AR0127 **\$100**
 With Thermo Mold Handguard AR0129 **\$130**
 With Injection Molded Handguard AR0128 **\$115**

NM Front & Rear Sight Kit

With 1/4 x 1/4 min or 1/2 x 1/2 min MOA, and .030 or .040 hooded aperture, with .050 front sight post.
 AR0070NMKIT **\$110**

NM Front Sight Post .050 AR0009NM050 **\$7.50**

NM UPPER HALVES / PARTS

6.8 SPC RRA LAR-6.8™

RRA LAR-6.8™ CAR A2

With A2 Buttstock	SPC1293	\$970
With 6-Position Tactical CAR Stock	SPC1295	\$985

RRA LAR-6.8™ CAR A4

With A2 Buttstock	SPC1221	\$935
With 6-Position Tactical CAR Stock	SPC1222	\$950

RRA LAR-6.8™ Mid-Length A2

With A2 Buttstock	SPC1294	\$970
With 6-Position Tactical CAR Stock	SPC1296	\$985

RRA LAR-6.8™ Mid-Length A4

With A2 Buttstock	SPC1238	\$935
With 6-Position Tactical CAR Stock	SPC1239	\$950

STANDARD CONFIGURATION

CALIBER	6.8mm Rem SPC (SAAMI II) Chamber
UPPER RECEIVER	Forged A2 or Forged A4
BARREL	16" Chrome Moly, 1:10 Twist
MUZZLE DEVICE	A2 Flash Hider / 5/8-24 Thread
TRIGGER	RRA Two Stage
PISTOL GRIP / BUTTSTOCK	A2 Pistol Grip / A2 Buttstock
HANDGUARD	CAR Length or Mid-Length
WEIGHT / LENGTH / ACCURACY	7.5 lbs / 35.25" / 1 MOA at 100 Yards
INCLUDED	One Mag, Safe Case, Manual, Warranty



OPTIONS & UPGRADES

Substitute Green Furniture	Add \$10
Substitute CAA Tactical Buttstock (for A2 Buttstock)	Add \$35
Substitute ACE Skeleton ARFX-E (for A2 Buttstock)	Add \$35
Substitute Magpul CTR Stock (for A2 Buttstock)	Add \$100
Substitute Hogue Rubber Pistol Grip	Add \$20
Substitute ERGO Pistol Grip	Add \$20
Substitute Aluminum Free Float Tube, CAR or Mid-Length	Add \$55
Substitute Hogue Free Float Tube, CAR Length	Add \$80
Substitute Quad Rail Free Float, CAR Length	Add \$120
Substitute Quad Rail Free Float, Mid-Length	Add \$125
Substitute RRA Half Quad Free Float, Mid-Length	Add \$125
Substitute SureFire M73 Tactical Rail, CAR Length	Add \$205
Substitute SureFire M85 Tactical Rail, Mid-Length	Add \$205
Substitute Daniel Defense Quad Rail 7.0, CAR Length	Add \$255
Substitute Daniel Defense Quad Rail 9.0, Mid-Length	Add \$300
Substitute Smith Vortex Flash Hider	Add \$65
Substitute Weaver Type Gas Block Sight Base	Add \$35

Complete Upper Halves

6.8mm SPC

Our new 6.8mm SPC Complete Upper Halves work with RRA LAR-15™ and other lower halves, requiring only a 6.8 SPC magazine for proper function.

Includes Bolt Carrier Group and Charging Handle Assembly

6.8 SPC CAR A2	SPC0625B	\$525
6.8 SPC CAR A4	SPC0325B	\$495
6.8 SPC Mid-Length A2	SPC0675B	\$525
6.8 SPC Mid-Length A4	SPC0375B	\$495

STANDARD CONFIGURATION

CALIBER	6.8mm Rem SPC (SAAMI II) Chamber
UPPER RECEIVER	Forged A2 or Forged A4
BARREL	16" Chrome Moly, 1:10 Twist / A2 Flash Hider / 5/8-24 Thread
HANDGUARD	CAR Length or Mid-Length

OPTIONS & UPGRADES

Substitute Aluminum Free Float Tube, CAR or Mid-Length	Add \$55
Substitute Hogue Free Float Tube, CAR Length	Add \$80
Substitute Quad Rail Free Float, CAR Length	Add \$120
Substitute Quad Rail Free Float, Mid-Length	Add \$125
Substitute RRA Half Quad Free Float, Mid-Length	Add \$125
Substitute SureFire M73 Tactical Rail, CAR Length	Add \$205
Substitute SureFire M85 Tactical Rail, Mid-Length	Add \$205
Substitute Daniel Defense Quad Rail 9.5FSP, CAR	Add \$310
Substitute Daniel Defense Quad Rail 12.0FSPM, Mid	Add \$360
Substitute Smith Vortex Flash Hider	Add \$65
Substitute Weaver Type Gas Block Sight Base	Add \$35



6.8MM SPC RIFLE / UPPER HALF



RRA
Two Stage
Trigger

.458 SOCOM RRA LAR-458™ CAR A4

Standard Configuration SOC1260 \$1,125

STANDARD CONFIGURATION

CALIBER	.458 SOCOM Chamber
UPPER RECEIVER	Forged A4
BARREL	16" Chrome Moly Bull Barrel, 1:14 Twist
MUZZLE DEVICE	A2 Flash Hider / 5/8-32 Thread
GAS BLOCK	Weaver Style Varmint with Sight Rail
TRIGGER	RRA Two Stage
HANDGUARD	Knurled and Fluted Free Float Aluminum Tube
BUTTSTOCK / PISTOL GRIP	A2 Buttstock / A2 Pistol Grip
WEIGHT / LENGTH	7.6 Pounds / 36.5 Inches
ACCURACY	1.5 MOA at 100 Yards
INCLUDED	One Mag, Safe Case, Manual, Warranty

The RRA LAR-458™ offers the ultimate combination of firepower and flexibility!

OPTIONS & UPGRADES

Substitute ACE Skeleton ARFX Stock, A2 Length	Add \$35
Substitute 6-Position Tactical CAR Stock	Add \$15
Substitute Magpul CTR Stock	Add \$100
Substitute Hogue Rubber Pistol Grip	Add \$20
Substitute ERGO Pistol Grip	Add \$20
Substitute Hogue Free Float Tube, CAR Length	Add \$55
Substitute Green Hogue Free Float Tube, CAR Length	Add \$55
Substitute Smith Vortex Flash Hider	Add \$88
Substitute Winter Trigger Guard	Add \$10
Substitute Badger Tactical Latch on Charging Handle	Add \$23



.458 SOCOM CAR A4 Complete Upper Half

STANDARD CONFIGURATION

CALIBER	.458 SOCOM Chamber
UPPER RECEIVER	Forged A4
BARREL	16" Chrome Moly Bull Barrel, 1:14 Twist
MUZZLE DEVICE	A2 Flash Hider / 5/8-32 Thread
GAS BLOCK	Weaver Style Varmint with Sight Rail
HANDGUARD	Knurled and Fluted Free Float Aluminum Tube

Our new .458 SOCOM upper half works with standard AR lower receivers and unmodified 30 round GI mags.

Includes Bolt Carrier Group and Charging Handle Assembly
16 Inch .458 SOCOM CAR A4 Upper Half

Standard Configuration SOC0370 \$705

OPTIONS & UPGRADES

Substitute Hogue Free Float Tube, CAR Length	Add \$55
Substitute Green Hogue Free Float Tube, CAR Length	Add \$55
Substitute Smith Vortex Flash Hider	Add \$88
Substitute Badger Tactical Latch on Charging Handle	Add \$23



.458 SOCOM Smith Vortex Flash Hider

5/8-32 Thread SOC001V \$90



Factory .458 SOCOM Ammunition



.458 SOCOM is available in a variety of factory loads from **COR®BON** and **SBR**. For more information:

COR®BON: visit www.corbon.com or call 1-800-626-7266

SBR: visit www.SBRammunition.com or call 912-264-5822



Accepts FAL (Metric) and LIAI (Inch) Mags

.308 Caliber RRA LAR-8™ Mid-Length A4

Mid-Length A4 308A1239 **\$1,135**

OPTIONAL QUAD RAIL

Substitute Daniel Defense 9.0 LITE Quad Rail Add \$340
Substitute Smith Vortex Flash Hider Add \$65

RRA
Two Stage
Trigger

STANDARD CONFIGURATION

CALIBER	.308/7.62mm Chamber
UPPER RECEIVER	Forged A4 with Forward Assist and Port Door
BARREL	16" Chrome Moly, 1:10 Twist
MUZZLE DEVICE	A2 Flash Hider / 5/8-24 Thread
FRONT SIGHT	Gas Block Sight Base
TRIGGER	RRA Two Stage
HANDGUARD	Mid-Length Handguard
PISTOL GRIP / BUTTSTOCK	Hogue Rubber / 6-Position Tactical CAR Stock
WEIGHT / LENGTH	8.1 Pounds / 38 Inches
ACCURACY	1.5 MOA at 100 Yards
INCLUDED	One Mag, Safe Case, Manual, Warranty



Accepts FAL (Metric) and LIAI (Inch) Mags

.308 Caliber RRA LAR-8™ Mid-Length A2

Mid-Length A2 308A1295 **\$1,185**

OPTIONAL QUAD RAIL

Substitute Daniel Defense 9.0 LITE Quad Rail Add \$340
Substitute Smith Vortex Flash Hider Add \$65

RRA
Two Stage
Trigger

STANDARD CONFIGURATION

CALIBER	.308/7.62mm Chamber
UPPER RECEIVER	Forged A2 with Forward Assist and Port Door
BARREL	16" Chrome Moly, 1:10 Twist
MUZZLE DEVICE	A2 Flash Hider / 5/8-24 Thread
FRONT SIGHT	A2 Front Sight
TRIGGER	RRA Two Stage
HANDGUARD	Mid-Length Handguard
PISTOL GRIP / BUTTSTOCK	Hogue Rubber / 6-Position Tactical CAR Stock
WEIGHT / LENGTH	8.6 Pounds / 38 Inches
ACCURACY	1.5 MOA at 100 Yards
INCLUDED	One Mag, Safe Case, Manual, Warranty

NOTE: The RRA LAR-8 uses a unique receiver thread and barrel nut. No barrel nut (either separate or as part of a tubular handguard or quad rail handguard) except those made specifically for the RRA LAR-8 should ever be used on an RRA LAR-8 rifle or upper half. While some other barrel nuts may thread onto the LAR-8 upper receiver, the depth of thread is incorrect for use on the RRA LAR-8 and use of such a barrel nut not specifically made for use with the LAR-8 (and identified as such by RRA) may expose the shooter to risk of injury or death.



26" Air Gauged
Stainless Steel Bull Barrel

Knurled and Fluted
Free Float Aluminum Tube

RRA
Two Stage
Match Trigger

Accepts FAL (Metric) and LIAI (Inch) Mags

.308 Caliber RRA LAR-8™ Varmint A4

Standard Configuration 308A1560 **\$1,385**

STANDARD CONFIGURATION

CALIBER	.308/7.62mm Chamber
UPPER RECEIVER	Forged A4 with Forward Assist and Port Door
BARREL	26" Air Gauged Bull Stainless Steel, 1:10 Twist
GAS BLOCK	Weaver Type Sight Base
TRIGGER	RRA Two Stage Match
HANDGUARD	Knurled and Fluted Free Float Aluminum Tube
PISTOL GRIP / BUTTSTOCK	Hogue Rubber / A2 Buttstock
WEIGHT / LENGTH	11.6 Pounds / 47 Inches
ACCURACY	1 MOA at 100 Yards
INCLUDED	One Mag, Safe Case, Manual, Warranty



Standard A2

Accepts FAL (Metric) and LIAI (Inch) Mags



Standard A4

RRA
Two Stage
Trigger

.308 Caliber RRA LAR-8™ Standard A2/A4

Standard A2 308A1280 **\$1,180**

Standard A4 308A1288 **\$1,135**

OPTIONAL QUAD RAIL

Substitute Daniel Defense 12.0 LITE Quad Rail	Add \$400
Substitute Smith Vortex Flash Hider	Add \$65

STANDARD CONFIGURATION

CALIBER	.308/7.62mm Chamber
UPPER RECEIVER	Forged A2 or A4 with Forward Assist and Port Door
BARREL	20" Chrome Moly, 1:10 Twist
MUZZLE DEVICE	A2 Flash Hider / 5/8-24 Thread
FRONT SIGHT	A2: A2 Front Sight / A4: Gas Block Sight Base
TRIGGER	RRA Two Stage
HANDGUARD	A2 Handguard
PISTOL GRIP / BUTTSTOCK	Hogue Rubber / A2 Buttstock
WEIGHT / LENGTH	A2: 9.3 lbs, 42 Inches / A4: 9.0 lbs, 42 Inches
ACCURACY	1 MOA at 100 Yards
INCLUDED	One Mag, Safe Case, Manual, Warranty

NOTE: The RRA LAR-8 uses a unique receiver thread and barrel nut. No barrel nut (either separate or as part of a tubular handguard or quad rail handguard) except those made specifically for the RRA LAR-8 should ever be used on an RRA LAR-8 rifle or upper half. While some other barrel nuts may thread onto the LAR-8 upper receiver, the depth of thread is incorrect for use on the RRA LAR-8 and use of such a barrel nut not specifically made for use with the LAR-8 (and identified as such by RRA) may expose the shooter to risk of injury or death.



**Now with
Integral
Magwell!**

See Page 31 for details

9mm RRA LAR-9™ CAR A2

Standard Configuration 9MM1295 **\$1,110**

STANDARD CONFIGURATION

CALIBER	9mm Luger Chamber
UPPER RECEIVER	Forged A2
BARREL	16" Chrome Moly, 1:10 Twist
MUZZLE DEVICE	A1 Flash Hider / 1/2-36 Thread
TRIGGER	Standard Single Stage
HANDGUARD / PISTOL GRIP	CAR Length / A2 Grip
BUTTSTOCK	6-Position Tactical CAR Stock
WEIGHT / LENGTH	7.5 Pounds / 36 Inches
ACCURACY	1.5 inches at 50 Yards
INCLUDED	One Mag, Safe Case, Manual, Warranty



9mm CAR A2

Shown with optional Mid-Length Handguard and Green Furniture



**Now with
Integral
Magwell!**

See Page 31 for details

9mm RRA LAR-9™ CAR A4

Standard Configuration 9MM1222 **\$1,085**

STANDARD CONFIGURATION

CALIBER	9mm Luger Chamber
UPPER RECEIVER	Forged A4
BARREL	16" Chrome Moly, 1:10 Twist
MUZZLE DEVICE	A1 Flash Hider / 1/2-36 Thread
TRIGGER	Standard Single Stage
HANDGUARD / PISTOL GRIP	CAR Length / A2 Grip
BUTTSTOCK	6-Position Tactical CAR Stock
WEIGHT / LENGTH	7.1 Pounds / 36 Inches
ACCURACY	1.5 inches at 50 Yards
INCLUDED	One Mag, Safe Case, Manual, Warranty



9mm CAR A4

Shown with optional Mid-Length Handguard and Green Furniture

OPTIONS & UPGRADES

Substitute Green Furniture	Add \$10	Substitute Hogue Free Float Tube, CAR Length	Add \$80
Substitute A2 Buttstock	No Charge	Substitute RRA Half Quad Free Float, Mid-Length	Add \$125
Substitute ACE Skeleton ARFX Stock, A2 Length	Add \$25	Substitute Quad Rail Free Float, CAR Length	Add \$120
Substitute ACE Skeleton ARFX-E, Entry Length	Add \$25	Substitute Quad Rail Free Float, Mid-Length	Add \$125
Substitute Magpul CTR Stock	Add \$85	Substitute SureFire M73 Tactical Rail, CAR Length	Add \$205
Substitute Hogue Rubber Pistol Grip	Add \$20	Substitute SureFire M85 Tactical Rail, Mid-Length	Add \$205
Substitute ERGO Pistol Grip	Add \$20	Substitute Smith Vortex Flash Hider	Add \$56.50
Substitute ERGO Tactical Pistol Grip	Add \$55	Substitute Muzzle Brake for A1 Flash Hider	Add \$35
Substitute Mid-Length Handguard	No Charge	Substitute Weaver Type Gas Block Sight Base	Add \$35
Substitute Aluminum Free Float Tube, CAR or Mid-Length	Add \$55	Substitute PRi Gas Buster Charging Handle	Add \$70

RRA LAR-9™ Pistols



Shown with optional Quad Rail Free Float

All NFA rules apply.

7 Inch A2 Pistol

with Aluminum Free Float Tube and A2 Front Sight
Standard Configuration 9MM2115 **\$1,125**

7 Inch A4 Pistol

with Aluminum Free Float Tube and Gas Block Sight Base
Standard Configuration 9MM2110 **\$1,140**

10 1/2 Inch A2 Pistol

with R-4 Handguard and A2 Front Sight
Standard Configuration 9MM2125 **\$1,080**

10 1/2 Inch A4 Pistol

with R-4 Handguard and Gas Block Sight Base
Standard Configuration 9MM2120 **\$1,090**

STANDARD CONFIGURATION

CALIBER	9mm Luger Chamber
UPPER RECEIVER	Forged A2 or Forged A4
BARREL	7 Inch or 10.5 Inch Chrome Moly, 1:10 Twist
MUZZLE DEVICE	A1 Flash Hider / 1/2-36 Thread
TRIGGER / PISTOL GRIP	Single Stage / Hogue Rubber Grip
7 INCH A2: WEIGHT / LENGTH	4.8 Pounds / 23 Inches
7 INCH A4: WEIGHT / LENGTH	4.7 Pounds / 23 Inches
10 1/2 INCH A2: WEIGHT / LENGTH	5.2 Pounds / 26.5 Inches
10 1/2 INCH A4: WEIGHT / LENGTH	4.9 Pounds / 26.5 Inches
INCLUDED	One Mag, Manual, Warranty

9MM RIFLES / UPPER / PARTS

9mm Pistol Upper Halves

Includes Bolt Carrier Group and Charging Handle Assembly

For pistol & SBR applications only; all NFA rules apply.

7 Inch A2 Pistol with A2 Front Sight,
Aluminum Free Float Tube 9MM0393B **\$565**

7 Inch A4 Pistol with Gas Block Sight Base,
Aluminum Free Float Tube 9MM0363B **\$580**

10 1/2 Inch A2 Pistol with A2 Front Sight,
R-4 Handguard 9MM0392B **\$530**

10 1/2 Inch A4 Pistol with Gas Block Sight Base,
R-4 Handguard 9MM0362B **\$535**

STANDARD CONFIGURATION

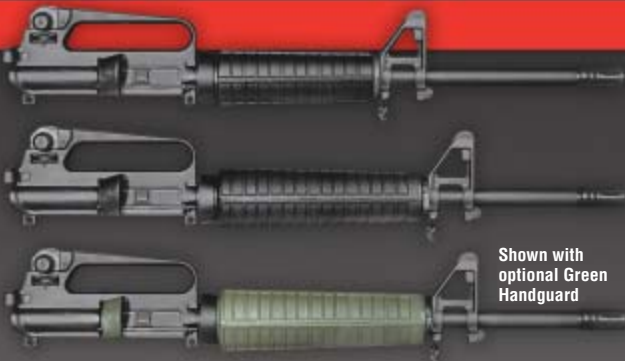
CALIBER	9mm Luger Chamber
UPPER RECEIVER	Forged A2 or Forged A4
BARREL	7 Inch or 10.5 Inch Chrome Moly, 1:10 Twist
MUZZLE DEVICE	A2 Flash Hider / 1/2-36 Thread



Shown with optional Quad Rail Free Float

OPTIONS & UPGRADES

Substitute ERGO Pistol Grip	No Charge	Substitute Daniel Defense Quad Rail 9.5FSP, CAR	Add \$310
Substitute Quad Rail Aluminum Free Float, Pistol Length	Add \$60	Substitute Weaver Type Gas Block Sight Base	Add \$35
Substitute Quad Rail Aluminum Free Float, CAR Length	Add \$120	Substitute Smith Vortex Flash Hider	Add \$56.50
Substitute SureFire M73 Tactical Rail, CAR Length	Add \$205	Substitute Winter Trigger Guard	Add \$10



Shown with optional Green Handguard

OPTIONS & UPGRADES

Substitute Green Handguard	Add \$5
Substitute Aluminum Free Float Tube	Add \$55
Substitute Quad Rail Aluminum Free Float, CAR Length	Add \$120
Substitute Quad Rail Aluminum Free Float, Mid-Length	Add \$125
Substitute Weaver Type Gas Block Sight Base	Add \$35
Substitute RRA Flip Front Sight Gas Block Assembly	Add \$80
Substitute Smith Vortex Flash Hider	Add \$56.50
Substitute AWB Compliant Muzzle Brake	Add \$35

9mm CAR A2

Complete Upper Halves

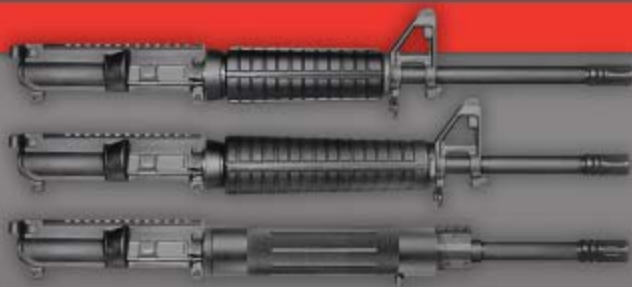
Includes Bolt Carrier Group and Charging Handle Assembly

9mm CAR A2 with CAR Handguard
Standard Configuration 9MM0550B **\$520**

9mm CAR A2 with Mid-Length Handguard
Standard Configuration 9MM0650B **\$520**

STANDARD CONFIGURATION

CALIBER	9mm Luger Chamber
UPPER RECEIVER	Forged A2
BARREL	16" Chrome Moly, 1:10 Twist
MUZZLE DEVICE	A1 Flash Hider / 1/2-36 Thread



Shown with optional Mid-Length Free Float Tube and Gas Block Sight Base

OPTIONS & UPGRADES

Substitute Green Handguard	Add \$5
Substitute Aluminum Free Float Tube	Add \$55
Substitute RRA Half Quad Free Float, Mid-Length	Add \$125
Substitute Quad Rail Aluminum Free Float, CAR Length	Add \$120
Substitute Quad Rail Aluminum Free Float, Mid-Length	Add \$125
Substitute SureFire M73 Tactical Rail Handguard, CAR Length	Add \$205
Substitute SureFire M85 Tactical Rail Handguard, Mid-Length	Add \$205
Substitute Daniel Defense Quad Rail 7.0, CAR Length	Add \$255
Substitute Daniel Defense Quad Rail 9.0, Mid-Length	Add \$300
Substitute Weaver Type Gas Block Sight Base	Add \$35
Substitute Smith Vortex Flash Hider	Add \$56.50

9mm CAR A4

Complete Upper Halves

Includes Bolt Carrier Group and Charging Handle Assembly

9mm CAR A4 with CAR Handguard
Standard Configuration 9MM0350B **\$500**

9mm CAR A4 with Mid-Length Handguard
Standard Configuration 9MM0450B **\$500**

STANDARD CONFIGURATION

CALIBER	9mm Luger Chamber
UPPER RECEIVER	Forged A4
BARREL	16" Chrome Moly, 1:10 Twist
MUZZLE DEVICE	A1 Flash Hider / 1/2-36 Thread

9MM CONVERSION INFORMATION

In addition to the upper half, certain other parts are required to complete the 9mm conversion. A lower half with standard (non match/2-stage) internal parts is required, and a 9mm hammer must be installed in place of the .223 hammer. The 9mm magwell conversion block (which uses modified Uzi magazines or Colt-style SMG magazines) is also required, if you are not using a dedicated RRA 9mm lower half with integral magwell. If using a CAR length receiver extension (as used in RRA collapsible CAR and A4 stocks as well as entry tactical stocks), the 9mm buffer replaces the CAR buffer. If using the standard receiver extension (as used in A1/A2 stocks and RRA non-collapsible CAR stocks), installation of the 9mm stock spacer, CAR action spring, and 9mm buffer is required. If you have any questions about 9mm conversions, please call Rock River Arms.

9mm Conversion Parts

9MM RIFLES / UPPERS / PARTS

9mm Forged A2 Upper Receiver Assembly



Complete with rear sight, port door and case deflector.
9MM0052AASY \$195

9mm Forged A4 Upper Receiver Assembly



Complete with port door, case deflector.
9MM0052BASY \$175

9mm PRI Gas Buster Charging Handle

With Big Latch 9MM0026GBASY \$100



9mm Barrel Assemblies

16 Inch Chrome Moly, 1:10 Twist

Includes barrel nut, handguard cap and front sight housing.

16 Inch CAR Barrel Assemblies

With bayonet lug, 1/2-36 thread 9MM0201ASY \$185

16 Inch Mid-Length Barrel Assemblies

With bayonet lug, 1/2-36 thread 9MM0203ASY \$185

9mm AI Flash Hider
1/2-36 Thread 9MM0001 \$12.50

9mm Smith Vortex Flash Hider
1/2-36 Thread 9MM0001V \$57.50

9mm Ejection Port Door
9MM0048 \$9

9mm Port Door Kit 9MM0048K \$11

9mm Case Deflector

Black, with spring 9MM0042B \$12

Green, with spring 9MM0042G \$12

RRA LAR-9™ 9mm Forged Lower Receiver Assembly

with Integral Magwell



Lower receiver assembly with integral 9mm magwell. Includes 9mm marked lower receiver, feed ramp, 9mm ejector, 9mm bolt catch, mag catch, spring and button 9MM0114ASY \$330
Pistol Lower Receiver Assembly 9MM0114ASYP \$330

9mm Complete Lower Half

9mm marked, with integral magwell and all necessary conversions parts.

With A2 Buttstock 9MM0900B \$455

With 6-Position Tactical Stock 9MM0901C \$470

Pistol Lower Half 9MM0950B \$450

9mm Bolt Carrier Assembly
Complete Assembly 9MM0032ASY \$175

9mm Hammer 9MM0106 \$20

9mm Firing Pin 9MM0027 \$12

9mm Firing Pin Spring 9MM0027S \$2

9mm Bolt Carrier Key 9MM0029 \$20

9mm Extractor 9MM0037 \$25

9mm Extractor Pin 9MM0038 \$1

9mm Ejector 9MM0041 \$8

9mm Bolt Catch Only for use in 9mm Lower Assembly WITH integral Magwell. 9MM0103 \$8.50

9mm Magwell Conversion Block
For lower receivers WITHOUT integral magwell.
9MM0115 \$175

9mm Buffer 9MM0107 \$25

9mm Stock Spacer 9MM0073 \$8

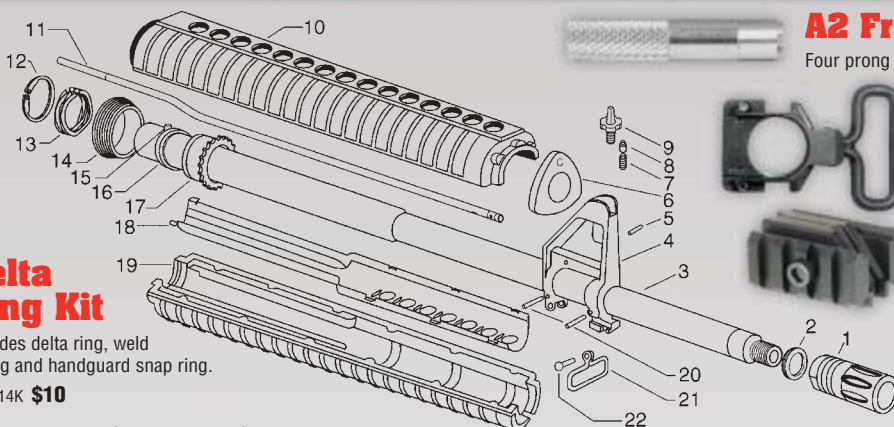
CAR Action Spring AR0072A \$4

9mm RRA LAR-9™ 10 Round Mag
9MM0116LC \$45

9mm UZI 25 Round Mag
Modified for conversion use 9MM0116 \$35

9mm LULA Mag Loader
For Colt SMG style mags.
9MM0119 \$34.25

Barrel Assembly Parts



A2 Front Sight Tool

Four prong AR0163 \$7

Side Mount Sling Swivel

Mounts to barrel
AR0161 \$27

Front Sight Accessory Mount

AR0159 \$40

Delta Ring Kit

Includes delta ring, weld spring and handguard snap ring.

AR0014K \$10

1	Flash Hiders & Muzzle Brakes	See Below	
2C	Crush washer	AR0002C	\$2.75
3	Barrels	See Page 33	
4A	Front sight housing, with bayonet lug	AR0004A	\$35.00
4B	Front sight housing, w/out bayo lug	AR0004B	\$35.00
4NM	Front sight housing, NM	AR0004NM	\$35.00
5	Gas tube roll pin	AR0005	\$.50
6A	Handguard cap, round	AR0006A	\$2.00
6B	Handguard cap, triangle	AR0006B	\$2.00
7	Front sight detent spring	AR0007	\$.50
8	Front sight detent	AR0008	\$.75
9	Front sight post, square	AR0009	\$3.00
10	Handguards	See Pages 38 and 39	
11A	Gas tube, CAR	AR0011A	\$12.00
11B	Gas tube, standard	AR0011B	\$13.00
11C	Gas tube, mid-length	AR0011C	\$13.00
11NM	Gas tube, NM	AR0011NM	\$13.00
12	Handguard snap ring	AR0012	\$1.00
13	Weld spring	AR0013	\$4.50
14	Delta ring	AR0014	\$6.00
15	Barrel indexing pin	AR0015	\$2.00
16	Barrel extension, .223	AR0016	\$22.50
17	Barrel nut, standard	AR0017	\$6.50
17NM	Barrel nut, NM	AR0017NM	\$25.00
18	Handguard liner, each (2 required)	AR0018	\$3.00
20	Front sight taper pin, each (2 req'd)	AR0020TAP	\$3.00
20	Front sight dowel pin, each (2 req'd)	AR0020DOW	\$3.00
21	Front sling swivel	AR0021	\$3.50
22	Front sling swivel rivet	AR0022	\$1.00

Gas Block Sight Base

AR0122ASY \$46

Varmint Barrel AR0122VASV \$45

Low Profile Gas Block

Low profile chrome moly steel gas block with manganese phosphate finish, for .750 diameter barrels AR0122LPASY \$35

RRA Flip Front Sight Gas Block Assembly

With three sling swivels and tactical rail in bayonet lug position.

AR3330ASY \$85

A.R.M.S. #41B/L The SILHOUETTE Folding Front Sight

#41BL with lug AR3813 \$153.50

#41B without lug AR3814 \$146.50

.223 Flash Hiders & Muzzle Brakes

A1 Flash Hider

1/2-28 Thread AR0001A1 \$7.50

A2 Flash Hider

1/2-28 Thread AR0001A2 \$6.50

Tactical Muzzle Brake

AWB Compliant
1/2-28 Thread AR0117T \$35

Military Style Brake

AWB Compliant
1/2-28 Thread AR0117MS \$35

LE Compensator

AWB Compliant
1/2-28 Thread AR0117LE \$35

Smith Vortex Flash Hider

1/2-28 Thread AR0001V \$57.50

Chrome Moly Barrel Assemblies

Chrome Moly Barrel Assemblies

Lightweight Barrels

RAA's Lightweight Barrels are .5 to .8 pounds lighter than their heavy barrel counterparts!



5.56mm NATO chamber, 1:9 twist, 1/2-28 thread, with bayonet lug, barrel nut, handguard cap, front sight housing.

16" CAR Lightweight AR0232ASY \$190
 With Chrome Lined Bore/Chamber AR0232CLASY \$235

16" Mid-Length Lightweight AR0213ASY \$190
 With Chrome Lined Bore/Chamber AR0213CLASY \$235



R-4 Profile

5.56mm NATO chamber, 1/2-28 thread, with bayonet lug, barrel nut, handguard cap, front sight housing.

16" R-4 Lightweight, 1:9 Twist AR0219ASY \$235
 With Chrome Lined Bore/Chamber

16" R-4 Lightweight, 1:7 Twist AR0205ASY \$235
 With Chrome Lined Bore/Chamber



5.56mm NATO chamber, 1:9 twist, 1/2-28 thread, with bayonet lug, barrel nut, handguard cap, front sight housing.

16" CAR Heavy AR0200ASY \$190
 With Chrome Lined Bore/Chamber AR0200CLASY \$235

16" Mid-Length Heavy AR0210ASY \$190
 With Chrome Lined Bore/Chamber AR0212ASY \$235



R-4 Profile

5.56mm NATO chamber, 1:9 twist, 1/2-28 thread, with bayonet lug, barrel nut, handguard cap, front sight housing.

16" R-4 Heavy AR0202ASY \$190
 With Chrome Lined Bore/Chamber AR0204ASY \$235



.223 Wylde chamber, 1:9 twist, 1/2-28 thread, with bayonet lug, barrel nut, handguard cap, front sight housing.

20" Standard Heavy AR0220ASY \$200
 With Chrome Lined Bore/Chamber AR0221ASY \$245

Stainless Steel Barrel Assemblies

AIR-GAUGED



.223 Wylde chamber, 1:8 twist, 1/2-28 thread, with bayonet lug, barrel nut, handguard cap, front sight housing.

16" CAR Heavy AR0206ASY \$235
16" Mid-Length Heavy AR0215ASY \$235



.223 Wylde chamber, 1:8 twist, 1/2-28 thread, with bayonet lug, barrel nut, handguard cap, front sight housing.

20" Standard Heavy AR0222ASY \$250

Stainless Steel Varmint

AIR-GAUGED

.223 Wylde chamber, with Gas Block with Sight Rail. Barrel Diameter .920 in front of gas block, 1.050 under handguard.

16" Varmint 1:8 Twist AR0208ASY \$260

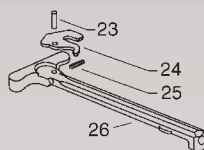
18" Varmint 1:8 Twist AR0218ASY \$270

20" Varmint 1:8 Twist AR0226ASY \$280

24" Varmint 1:8 Twist AR0228ASY \$290

24" Varmint 1:12 Twist AR0229ASY \$290

Upper Receiver Parts



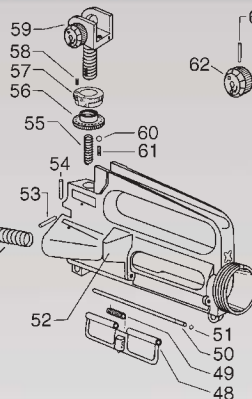
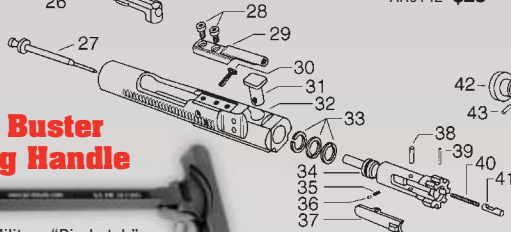
PRi Gas Buster Charging Handle

Featuring the Military "Big Latch".

AR0026GBASY **\$90**

Badger Tactical Latch

AR0142 **\$23**



23	Charging handle latch roll pin	AR0023	\$5.00	50	Ejection port cover pin	AR0050	\$1.00
24	Charging handle latch	AR0024	\$2.50	51	Pin retaining ring	AR0051	\$5.00
25	Charging handle latch spring	AR0025	\$5.00	52	Upper Receivers	See Page 35	
26	Charging handle	AR0026	\$21.00	53	Rear sight elevation spring pin	AR0053	\$5.00
27B	Firing pin	AR0027B	\$7.50	54	Forward assist spring pin	AR0054	\$5.00
28	Bolt carrier key screw, each (2 req'd)	AR0028	\$1.00	55	Rear sight elevation spring	AR0055	\$5.00
29	Bolt carrier key	AR0029	\$11.50	56	Rear sight elevation knob	AR0056	\$5.50
30	Firing pin retaining pin	AR0030	\$1.00	56NM	Rear sight elevation index knob, NM 1 piece	AR0056/57NM	\$20.00
31	Cam pin	AR0031	\$5.00	57	Rear sight elevation index	AR0057	\$5.50
32A	Bolt carrier, semi-auto	AR0032A	\$70.00	58	Index screw	AR0058	\$1.75
33A	Bolt gas ring Improved , each (3 req'd)	AR0033A	\$1.50	59	Rear sight assembly	AR0059	\$35.00
34	Bolt	AR0034	\$37.50	60	Ball bearing	AR0060	\$5.00
35	Extractor spring	AR0035	\$5.00	61	Elevation index spring	AR0061	\$5.00
36	Extractor spring insert	AR0036	\$5.00	62	Rear sight windage knob	AR0062	\$6.00
37	Extractor	AR0037	\$14.00	62LK	Rear sight windage knob, lockable	AR0062LK	\$8.00
38	Extractor pin	AR0038	\$1.00	62LKS	Lockable knob locking screw	AR0062LKS	\$1.50
39	Ejector roll pin	AR0039	\$5.00	63	Rear sight windage knob pin	AR0063	\$5.00
40	Ejector spring	AR0040	\$5.00	64	Rear sight index spring	AR0064	\$5.00
41	Ejector	AR0041	\$1.50	65	Rear sight ball bearing	AR0065	\$5.00
42	Forward Assist Assembly	AR0042ASY	\$12.00	66	Rear sight flat spring	AR0066	\$7.75
43	Pawl spring pin	AR0043	\$5.00	67	Rear sight aperture	AR0067	\$6.50
44	Pawl spring	AR0044	\$5.00	68	Rear sight ball bearing	AR0068	\$5.00
45	Pawl detent	AR0045	\$1.25	69	Rear sight helical spring	AR0069	\$5.00
46	Forward assist pawl	AR0046	\$4.00	70	Rear sight base	AR0070	\$18.00
47	Forward assist spring	AR0047	\$1.00	70NM	Rear sight base, NM	AR0070NM	\$26.00
48	Ejection port cover	AR0048	\$6.00	71	Rear sight windage screw	AR0071	\$3.00
49	Ejection port cover spring	AR0049	\$5.00	71NM	Rear sight windage screw, NM	AR0071NM	\$6.00

Forged Charging Handle Assembly

AR0026ASY **\$25**

Complete Bolt Carrier Group

AR0032AGRP **\$130**

Bolt Assembly AR0034ASY **\$60**

Forward Assist Kit AR0042K **\$13.50**

Port Door Kit AR0048K **\$8**

A2 Rear Sight Kit AR0070STDKIT **\$65**

Improved Bolt Gas Ring

Patented design assures ring gaps will not align.

Each, 3 required AR0033A **\$1.50**

Accu-Wedge Buffer

Drop-in installation, eliminates play between the upper and lower receiver. You won't need one on your RRA rifle, why not buy one for a friend AR0190 **\$6**

Offset Pin Adapts large hole lower to small hole upper AR0192 **\$4**

Offset Bushing

Adapts large hole upper to small hole lower AR0191 **\$3**

RRA Forged Upper Receivers



UTE2 - with Rail Height same as A4 Upper

Complete A2 Upper Receiver Assembly

With rear sight, forward assist and port door AR0052AASY \$190
 Stripped A2 Upper Receiver AR0052A \$125

Complete A4 Upper Receiver Assembly

With forward assist and port door AR0052BASY \$145
 Stripped A4 Upper Receiver AR0052B \$125

UTE2 - Universal Tactical Entry Complete UTE2 Upper Receiver Assembly

With rear sight, forward assist and port door AR0052UASY \$225
 Stripped UTE2 Upper Receiver AR0052U \$165

EOP - Elevated Optical Platform Complete EOP Upper Receiver Assembly

With rail height 3/4" taller than the A4 Upper
 With forward assist and port door AR0052EASY \$165
 Stripped EOP Upper Receiver AR0052E \$150

A2 Carry Handle Assembly



With A2 Rear Sight AR0052CASY \$140

NM Carry Handle Assembly

Patent pending. A true 0 to 600 yard capable carry handle!
 1/2min x 1/2min, .040 AR0052CNMASY \$165
 1/2min x 1/2min, .030 AR0052CNMASY2 \$165
 1/4min x 1/4min, .040 AR0052CNMASY3 \$165
 1/4min x 1/4min, .030 AR0052CNMASY4 \$165

Tactical Carry Handle Assembly



Aimpoint Sight not included.

With A2 Rear Sight AR0125ASSY \$175

RRA Dominator2 EOTech Mount Assembly



Designed for FBI SWAT and HRT, the Dominator2 is the ideal EOTech mount, it places the dot just above the front sight post. With integral A2 Rear Sight and seven slots for mounting flexibility. Incompatible with EOTech models 553 and 557 AR0125FASSY \$185

Forged RRA LAR-15™ Lower Receiver



Stripped AR0114RRA \$170

RRA LAR-15™ Complete Lower Half



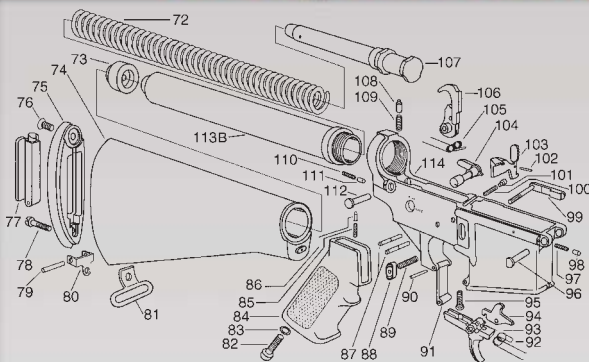
With A2 Buttstock
 Standard Trigger AR0900B \$290
 RRA Two Stage Trigger AR0940B \$380

With 6-Position Tactical CAR Stock
 Standard Trigger AR0901C \$305
 RRA Two Stage Trigger AR0990C \$395

Pistol Lower Half Marked Pistol Only
 Standard Trigger AR0950B \$270

UPPER RECEIVERS / LOWER RECEIVERS

Mil-Spec Lower Receiver Parts



87NM	Hammer and trigger pin, NM (2 req'd)	AR0087NM	\$2.00
88	Magazine release button	AR0088	\$2.00
89	Magazine catch spring	AR0089	\$5.00
90	Trigger guard pivot roll pin	AR0090	\$5.00
91	Trigger guard	AR0091	\$5.00
92	Trigger spring	AR0092	\$1.00
93	Trigger, standard	AR0093	\$12.50
94	Disconnecter	AR0094	\$4.00
95	Disconnecter spring	AR0095	\$5.00
96	Pivot pin	AR0096	\$3.50
97	Pivot pin spring	AR0097	\$5.00
98	Pivot pin detent	AR0098	\$5.00
99B	Magazine catch	AR0099B	\$5.00
100	Bolt catch spring	AR0100	\$5.00
101	Bolt catch plunger	AR0101	\$6.00
102	Bolt catch roll pin	AR0102	\$5.00
103	Bolt catch	AR0103	\$7.50
104	Safety selector lever, standard	AR0104	\$9.00
104	Safety selector lever, Ambi	AR0104AMBI	\$25.00
104D	Safety selector lever, Star	AR0104D	\$9.00
105	Hammer spring	AR0105	\$1.00
106	Hammer with J pin, standard	AR0106	\$15.00
107A	Buffer assembly, CAR	AR0107A	\$11.00
107AH	Buffer assembly, CAR heavy	AR0107AH	\$23.00
107B	Buffer assembly, standard	AR0107B	\$13.00
108	Buffer retainer	AR0108	\$7.00
109	Buffer retainer spring	AR0109	\$5.00
110	Takedown pin spring	AR0110	\$5.00
111	Takedown pin detent	AR0111	\$5.00
112	Takedown pin	AR0112	\$3.50
113A	Receiver extension, CAR	AR0113A	\$18.00
113B	Receiver extension, standard	AR0113B	\$17.00
113T	Receiver extension, entry length	AR0113T	\$20.00
	New, Improved CAR Buttstock Lock Ring Nut	AR0172CB	\$6.00

72A	Action spring, CAR	AR0072A	\$4.00
72B	Action spring, standard	AR0072B	\$4.00
73	Buttcap spacer	AR0073	\$1.50
74	Buttstock, black	AR0074	\$20.00
74G	Buttstock, green	AR0074G	\$20.00
75	Buttplate	AR0075	\$3.00
76	Buttplate screw	AR0076	\$2.50
77	Trap Door Assembly, plastic	AR0077PASY	\$5.00
78	Rear swivel screw	AR0078	\$1.00
79	Trap door hinge pin	AR0079	\$7.50
80	Trap door hinge	AR0080	\$3.00
81	Rear sling swivel	AR0081	\$2.75
82	Pistol grip screw	AR0082	\$1.00
83	Lock washer	AR0083	\$5.00
84	Pistol grip, black	AR0084	\$4.00
84G	Pistol grip, green	AR0084G	\$4.50
85	Safety detent spring	AR0085	\$5.00
86	Safety detent	AR0086	\$7.50
87	Hammer and trigger pin (2 req'd)	AR0087	\$1.10

Mil-Spec Lower Receiver Parts Kits

Standard Trigger, Black Pistol Grip	AR0120	\$70
Standard Trigger, Green Pistol Grip	AR0120G	\$70
Two Stage Trigger, Black Pistol Grip	AR0120NM	\$180
Two Stage Trigger, Green Pistol Grip	AR0120NMG	\$180



RRA Winter Trigger Guard

AR0091W \$15

Star Safety Selector

AR0104D
\$9

Ambi Star Safety Selector

AR0104DA
\$25

Ambi-Catch

Ambidextrous mag release, drop-in design.

AR0099A
\$90

Ambi Safety Selector

AR0104AMBI \$25

Standard A2 Pistol Grip

Black AR0084 \$4
Green AR0084G \$4.50

Hogue Rubber Grip

Black AR0084H \$22
Green AR0084HG \$24

ERGO Grip

With Sure Grip, includes Gapper and rubber plug.
Right Hand - Black AR0084ER \$22
Ambi - Black AR0084E \$22
Ambi - Green AR0084EG \$24

ERGO Grip Tactical Style

Ambidextrous, with palm shelf and Sure Grip no-slip surface.
Black AR0084ET \$60

High Impact Composite
for Strength and Durability!

With Pivoting
Steel Swivel

Tactical CAR Buttstock Kit

Six Position Collapsible Complete with buffer and spring.
Black AR0250 **\$75**
Green AR0250G **\$80**
Fixed Position AWB Compliant, complete with buffer and spring.
Black AR0260 **\$65** - Green AR0260G **\$70**

Tactical CAR Stock Wrench

Engages the lock nut on the Tactical CAR stock. AR0165 **\$6**



CAA Tactical Buttstock Kit

Six position collapsible with side mounted battery storage compartment and Picatinny rail. Includes buttstock with rubber buttpad, pivoting sling swivel, buffer, buffer tube, buffer spring, nut and collar.

Black AR0250C **\$115**
Green AR0250CG **\$115**

CAA Stock Saddle

Improved cheekweld for greater stability and accuracy, fits most 6 position stocks including RRA (does not fit CAA stock), with two waterproof storage compartments.

Black AR0255B **\$26.50**
Green AR0255G **\$26.50**

Standard A2 Buttstock Kit

Includes buttstock with buttplate, sling loop, buffer, buffer tube, buffer spring, spacer and screw.

Black AR0074K **\$65**
Green AR0074GK **\$70**

Assembly only Includes buttstock with buttplate and sling loop.
Black AR0074ASY **\$30**
Green AR0074GASY **\$32.50**



Entry Buttstock Kit

Complete with CAR buffer and spring.

Black AR0074TK **\$57.50**
Green AR0074TGK **\$60**



ACE Skeleton Stock

ARFX Full Size Slips over standard A1/A2 receiver extension tube. With sling swivel and rubber buttpad AR3100 **\$95**

ARFXE Shorty Receiver extension tube not included, Use AR0113T. With sling swivel, rubber buttpad AR3105 **\$95**

Magpul CTR Stock Kit

Adjustable for length of pull, features a unique locking mechanism that friction locks the stock to the buffer tube for zero movement. This is a complete stock kit with spring, buffer, commercial receiver extension and receiver end plate.

Magpul CTR Stock Kit, Black AR0250MB **\$170**
Magpul CTR Stock Kit, Green AR0250MG **\$170**

Magpul PRS Precision Stock

Drop in replacement A1/A2 stock body. Adjustable for height and length of pull. At it's shortest LOP it is about the length of an A1 type stock and extends about a half inch longer than an A2 stock. Mounts on standard A1/A2 buffer tube/receiver extension. Incompatible with RRA LAR-8 due to charging handle clearance.

Magpul PRS Stock, Black AR0074MB **\$255**
Magpul PRS Stock, Green AR0074MG **\$255**

BUTTSTOCKS



A2 Handguards

- Black AR0010B \$19
- Green AR0010BG \$19.50



Mid-Length Handguards

- Black AR0010C \$19
- Green AR0010CG \$19.50



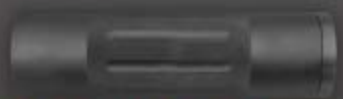
CAR Handguards

- Black AR0010A \$19
- Green AR0010AG \$19.50



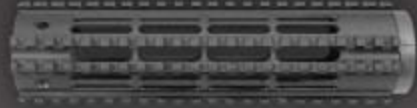
R-4 Handguards

- Black, with double heat shields AR0010ASHS \$26
- Green AR0010ASHSG \$21



Free Float Aluminum Tube

- Rifle Length AR0010BAH \$75
- Mid-Length AR0010CAH \$70
- CAR Length AR0010AAH \$65
- Pistol Length AR0010PAH \$55



New Design! Quad Rail Aluminum Free Float

New lightweight design, hardcoat anodized to mil-spec.

- Rifle Length AR0010G \$160
- Mid-Length AR0010H \$130
- CAR Length AR0010F \$120
- Pistol Length AR0010P \$105



NEW! RRA Half Quad Aluminum Free Float

Unique free float handguard for mid-length gas system, front half is quad rail, back half is faceted aluminum.

- Half Quad, Mid-Length AR0010HQ \$130



Hogue Free Float Tube

Aluminum free float tube, overmolded with soft rubber.

- Standard Length, Black AR0010BHH \$120
- Standard Length, Green AR0010BHHG \$120
- CAR Length, Black AR0010AAH \$95
- CAR Length, Green AR0010AAHG \$95

Daniel Defense Quad Rail

Aluminum Free Float Handguards



Designed to fit behind the front sight or gas block.

- Quad Rail 12.0 - Rifle Length AR3083 **\$355**
- Quad Rail 9.0 - Mid-Length AR3082 **\$295**
- Quad Rail 7.0 - CAR Length AR3081 **\$249**



Designed to work with Carbine front sight.

- Quad Rail 12.0FSP - CAR Length AR3085 **\$355**



Designed to work with front sight.

- Quad Rail 9.5FSP - CAR Length AR3084 **\$315**
- Quad Rail 12.0FSPM - Mid-Length AR3086 **\$355**



Daniel Defense LITE Quad Rail For RRA LAR-8™ .308 Caliber

- LITE Rail 12.0 - Rifle Length 308A3083 **\$399**
- LITE Rail 9.0 - Mid-Length 308A3082 **\$349**



Picatinny Rail Covers

- Solid Rail Cover, Five Slot, Black AR3040 **\$4**
- Solid Rail Cover, Five Slot, Green AR3040G **\$4**
- Solid Rail Cover, Ten Slot, Black AR3041 **\$8**
- Solid Rail Cover, Ten Slot, Green AR3041G **\$8**
- Solid Rail Cover, Fifteen Slot, Black AR3042 **\$12**
- Solid Rail Cover, Fifteen Slot, Green AR3042G **\$12**
- Ladder Rail Cover, Five Slot, Black AR3043 **\$4**
- Ladder Rail Cover, Five Slot, Green AR3043G **\$4**
- Ladder Rail Cover, Eighteen Slot, Black AR3044 **\$12**
- Ladder Rail Cover, Eighteen Slot, Green AR3044G **\$12**

SureFire Tactical

Aluminum Rail Handguards



- SureFire M82 - Rifle Length
For triangular handguard cap AR3005 **\$245**



- SureFire M85 - Mid-Length
For triangular handguard cap AR3010 **\$212**



- SureFire M73 - CAR Length AR3000 **\$212**

CTK P3 Mono-Grip

Vertical foregrip and monopod all in one, spring loaded design adjusts from 4.75" to 8". CNC machined billet aluminum with hard coat anodized finish and durable rubber foot.

- CTK P3 Mono-Grip AR3230 **\$70**



Graphite Fore Grip

Attaches to picatinny rails, quick detach.

- Black AR3225 **\$42**
- Green AR3225G **\$43.50**



Midwest Industries Sling Adapters

Front Sling Adapter

Attaches to picatinny rails.

- AR3620 . . . **\$34**



Quick Detach Front Sling Adapter

Attaches to picatinny rails.

- AR3622 . . . **\$34**



Front Sling Adapter with Swivel Stud

Attaches to picatinny rails.

- AR3621 . . . **\$24**



Front Sling Adapter With Loop

Attaches to picatinny rails.

- Patent US D508,726S AR3619 **\$40**



Turner Saddlery

All Weather Synthetic Service Rifle Sling



CMP approved, 54"/56" adjustable with mil-spec parkerized steel hardware and copper rivets.

Turner AWS Sling - Black AR0139B \$65
Turner AWS Sling - Green AR0139G \$65

CMP Black Nylon Sling



Adjustable black nylon sling AR0138 \$14

Blue Force Gear UDC Slings



Single point design, completely adjustable and ambidextrous, sized for use over body armor. With quick release buckle, and choice of adapter.
With HK Style Hook Adapter AR0137BH \$40
With Quick Detach Adapter AR0137BQ \$40

Blue Force Gear UWL Adapter

Flexible, rugged and detachable sling mount for a wide variety of applications.
AR0137BU \$19

Midwest Industries QD Heavy Duty Rear Sling Adapter



No gunsmithing required, constructed of hard coat anodized 6061 aluminum with heavy duty mil-spec push button swivel.

MI MCTAR-30HD AR3630 \$60

Quick Detach Rear Sling Adapters



For Six 6 Position Tactical Stock AR3624 \$40
For Four Position CAR Stock AR3623 \$40

MAMBA Combat Sling

The first sling designed for full contact engagement with unique stretch "Power Strike Zone". Works for right or left hand shooters, with quick release buckles, customizable positioning and fast and easy transitions.

For A2 Buttstock AR0137MA \$40
For CAR/Tactical CAR Stock AR0137MC \$40

Eagle Tactical Assault Sling



A quality sling with black 1" webbing featuring a quick disconnect buckle and anti-noise padding. Allows the weapon to be carried in an assault position, then with an easy one thumb release, brought to shoulder. Rifle may also be slung over back for hands free carry.

TAS-1 For A2 Buttstock AR0137EA \$33.50
TAS-3 For CAR Stock AR0137EC \$29

Viking Tactics Quick Adjust VTAC Sling



Designed with the tactical shooter in mind, quickly adjusts to several different shooting positions as well as for carry slung tightly across the back, great for climbing, running, or while apprehending a suspect.

VTAC Sling AR0137VTAC \$36

CAR Stock Receiver End Plate



With dual sling loops AR0144C \$14

CAR Stock End Plate Adapters



Installs without removing extension.
Slotted AR3625 \$37
Loop AR3626 \$36

A2 Stock Receiver End Plate



With single sling loop on left side for right hand shooters.
AR0144A \$32.50

ACCESSORIES

Rock River Arms

Stand Alone Rear Sight Assembly

Detachable with A2 rear sight. AR3305ASY \$110



PADS Flip Rear Sight

Rugged back up iron sight, flip aperture, adjustable for windage and elevation.

For CAR or Mid-Length Gas Systems: AR0169E \$150

For Rifle Length Gas Systems: AR0169F \$150



Flip-Up Rear Sight

Detachable flip-up rear sight with locking detent.

AR0169R \$105



A.R.M.S.® #40 Flip-Up Rear Sight

Spring loaded quick release, 250-300 meter and 500-600 meter flip apertures.

AR3812 \$106



A.R.M.S.® #40L Flip-Up Rear Sight

Same features as #40, but with lower profile, allowing more clearance for mounting optics AR3812L \$119



RRA Dominator2 EOTech Mount

Designed for FBI SWAT and HRT, the Dominator2 is the ideal EOTech mount, it places the dot just above the front sight post. With integral A2 Rear Sight and seven slots for mounting flexibility. Incompatible with EOTech models 553 and 557 AR0125FASSY \$185

RRA Scout Rail



AR0134 \$72.50

Midwest Industries

Flip-Up Front Sight

With smooth spring loaded ball bearing pivot and locking detent, hard coat anodized 6061 aluminum.

For Gas Block AR0168R \$90

For Rail Handguard AR0168RQ \$90



Samson Quick Flip Folding Front Sight

Gas block mounting flip front sight, clears R4 handguards when folded, spring loaded deployment, hard coat anodized aluminum construction.

Samson FFS-EXT AR0168S \$125



Detachable Front Sight

For gas block height rail mounting.

AR0160 \$40



Midwest Industries

A2 Adjustable Cantilever Mount

Heavy duty and lightweight with MIL-STD 1913 rail, allows most optics to co-witness with iron sights AR3629 \$117

U.S. Tactical Systems

A2 Handle Mount AR0124 \$24



RRA Flattop Riser Base

AR0136ASY \$55



RRA Hi-Rise Scope Mount

Improved Design!

With integral 1 inch rings AR0130 \$47.50

With integral 30mm rings AR0131 \$47.50



RRA LAR-15™

.223 Cal Mags

- 10 Round AR0116 \$22
- 20 Round AR0116LE20RD \$18
- 30 Round AR0116LE30RD \$18



Beta C-Mag

.223/5.56mm 100 Round Drum

Twin drum design, comes with 5 round or 10 round loader and pouch.

- Black Pouch, 5 Round Personal Loader AR3150 \$264
- Green Pouch, 5 Round Personal Loader AR3151 \$264
- Desert Sand Pouch, 5 Round Personal Loader . . . AR3152 \$264
- Woodland Camo Pouch, 5 Round Personal Loader . . AR3153 \$264
- Black Pouch, 10 Round Speed Loader AR3154 \$266
- Green Pouch, 10 Round Speed Loader AR3155 \$266
- Desert Sand Pouch, 10 Round Speed Loader AR3156 \$266
- Woodland Camo Pouch, 10 Round Speed Loader . . AR3157 \$266

Beta C-Mag 9mm 100 Round Drum

For 9mm AR's, with five round personal loader and black pouch.

- Beta C-Mag 9mm Drum . . AR3158 \$318



LULA Mag Loaders

Loads and unloads mags in seconds, fast, safe, comfortable and painless to operate.

- .223 Cal. AR0119 \$30
- Colt SMG Style 9mm
9MM0119 \$34.25
- FAL/.308 Inch and Metric
308A0119. \$30



CAA Mag Coupler

Expands ammunition capacity and saves reload time by joining two .223 AR magazines (also works on Ruger Mini 14 mags). Coupler will not scratch or deform mags. Lightweight and fiberglass, battle tested and now being used by front line forces in several theatres of operation.

- CAA Mag Coupler AR3062 \$15

Original Bob Sled Single Shot Loader

Machined from a single piece of black Delrin, allows loading and firing of a single round for competition, benchrest or varmint shooting. The loading channel perfectly aligns the round to enter the chamber, and the plunger activates the bolt stop.

- OBS 10 Single Loader - Short AR3355 \$43
- OBS 20 Single Loader - Tall AR3350 \$43



Fusil-USA .223 Caliber Steel 30 Round Mag

One-piece MIG welded 1050 steel for incomparable strength, reliability and endurance, steel tilt-resistant follower, 17-7 stainless spring and push-button floorplate with lanyard loop.

- Fusil 30 Round Mag AR0116HR \$40

Cammenga .223 Cal. 30 Round EasyMag

Slide open case design for fast loading, unloading, and cleaning, can be loaded twice as fast as conventional mags using loose ammo. Casing, follower, and base-plate made of high-strength 1050 spring steel, with a two-layer anti-friction coating. Large tip-proof steel follower and chrome silicon main spring provide optimal feeding performance. **Great for .458 SOCOM!**

- Cammenga EasyMag AR0116E \$35

Magpul .223 Cal PMAG

30 round lightweight polymer mags with pop-off storage/dust cover that alleviates pressure from the feed lips, allowing for storage of loaded mags without risk of feed lip creep. With resilient stainless steel spring for corrosion resistance, anti-tilt follower for increased reliability, and textured surface for improved grip.

- 30 Round PMAG, Black AR0116MB \$15
- 30 Round PMAG, Green AR0116MG \$15

Pri 6.8mm SPC Mags

Steel mags with guided blue followers.

- 5 Round SPC0116C05 \$43
- 10 Round SPC0116C10 \$43
- 15 Round SPC0116C15 \$43
- 25 Round SPC0116C \$43

9mm RRA LAR-9™ Mags

- 10 Round Mag 9MM0116LC \$45

9mm UZI 25 Round Mags

- Modified for conversion use 9MM0116 \$35

Ready-Fire MODE

Buttstock Mag Pouch

Mounts securely to buttstock, holds 20 or 30 round .223 mags, constructed of high quality Cordura, reinforced at critical stress points, quick opening pull-tab.

For A2 Buttstock AR3610A \$30

For CAR or Tactical CAR Stock AR3610C \$30



Spec-Ops Mag Pouches

Can be mounted to belts, and are compatible with both ALICE and MOLLE systems.

Constructed of double-wall Cordura with grommet drain holes.

X-2 - Holds two .223 mags AR3613 \$20

X-4 - Holds four .223 mags AR3611 \$25

X-6 - Holds six .223 mags AR3612 \$30



Spec-Ops Leg Rig Panel

This drop-leg modular panel allows easy access to cargo in numerous positions. It is fully adjustable, with comfortable breathable mesh panel, and is compatible with the MOLLE system.

Leg Rig AR3615 \$50



Spec-Ops Dump Pouch

Provides fast, easy and secure access with unique "trap-door port" for shoot and move operations. Easily attaches to Leg Rig, duty belts and MOLLE system.

Dump Pouch AR3614 \$45



Eagle Industries 9mm SMG Mag Pouch

The SAS MP-5 Mag Pouch allows you to carry three extra 9mm mags, The 2 inch wide leg straps allow you to wear it drop style, but it may also be worn on a belt. Features Fastex fasteners for securing mag flaps.

SAS-MP-5 SMG Mag Pouch AR3605 \$67.75



Eagle Rifle Cases



Eagle Assault Rifle Case

Constructed of 1000 denier Cordura, fully padded with outside zippered cargo pocket and adjustable mag pouches, detachable shoulder strap and pad, "D" rings mounted in nylon webbing, triple stitched to case.

Eagle RC-4108 - 41" x 11.5" x 2.5" AR3410 \$100



Eagle Discreet Rifle Case

Great for low profile weapon carry, made with heavily padded abrasion and water resistant 1000 denier Cordura nylon. Has five internal mag pockets, hook and loop weapon keepers and a large padded zippered outer pocket. Available in rifle and carbine lengths.

Rifle Case - 42" x 13" x 2.5" AR3400 \$116.25

CAR Case - 35" x 13" x 2.5" AR3500 \$116.25



Rock River Arms Safe Case

Lockable hard plastic case, provides safe and secure storage and transportation of your broken down rifle or carbine. This is the same case that ships with each RRA complete rifle, unless otherwise specified.

RRA Safe Case ARCASE \$34

ACCESSORIES

Versa-Pod Bipods

Versa-Pod Model 2

Standard prone position bipod, with non-skid rubber feet, built-in pan and tilt, 9 inch to 12 inch adjustable leg height and Universal Mounting Adapter, mounts to any standard QD swivel stud.

AR0145 \$76

Versa-Pod Military Style

Quick detachable folding bipod, attaches to Picatinny or Weaver rails, with built-in pan and tilt, Raptor feet and 9 to 12 inch adjustable leg height.

AR0147 \$200

Versa-Pod Hybrid Style

Quick detachable folding bipod, with built-in pan and tilt, Raptor feet and 9 to 12 inch adjustable leg height. Includes Universal Mounting Adapter, mounts to any standard QD swivel stud.

AR0148 \$260

Versa-Pod A2 Handguard Adapter

AR0148B ... \$34

Versa-Pod Picatinny Rail Adapter

AR0146A ... \$50

Brass Deflectors

Brass Deflectors not for use with the RRA LAR-8™.

A2 Carry Handle Mount

AR0185 \$21

A2 Removable Carry Handle Mount

AR0185C \$21

A4 Flattop Mount

AR0186 \$21

A4 Flattop Mount for use with EOTech

AR0187 \$21

RRA LAR-15™ Spares Kits

RRA LAR-15™ Pin Kit

Includes all the pins you're likely to need to maintain your RRA LAR-15™.

RRA LAR-15 Pin Kit AR3252 \$10.50

RRA LAR-15™ Spring Kit

Includes all the springs you're likely to need to maintain your RRA LAR-15™.

RRA LAR-15™ Spring Kit - CAR AR3255A \$20

RRA LAR-15™ Spring Kit - Rifle AR3255B \$20

RRA LAR-15™ "Oh Shoot" Kit

All of the parts and pieces for your LAR-15™ that you are most likely to wear out or lose at the worst possible time. Includes: 1 crush washer, 1 gas tube roll pin, 1 front sight detent and spring, 1 front sling swivel rivet, 1 charging handle latch roll pin, 2 firing pin retaining pins, 1 ejector, 1 ejector spring, 1 safety detent, 1 safety detent spring, 2 pivot pin springs, 2 pivot pin detents, 1 buffer retainer, 1 buffer retainer spring, 2 takedown pin springs, 2 takedown pin detents.

RRA LAR-15™ "Oh Shoot" Kit AR3256 \$15



RRA Cleaning Station

Solid oak cleaning station AR0150 \$45

IOSSO AR-15 Brush Kit

Reusable blue Nylflex fiber brushes, retain shape, fitted for precision cleaning. Includes upper receiver, chamber, bolt carrier, bore brush.

AR-15 Brush Kit AR3595 \$17



Dewey Breech Rod Guide

With o-ring seal to prevent oil, solvent and debris from entering the action. Constructed of anodized aluminum and delrin.

AR Style .223 Caliber AR3590 \$21

AR Style .308 Caliber 308A3590 \$25

AR Style 6.8 SPC Caliber SPC3590 \$27



.223 Caliber Cleaning Kit

With Pouch

AR3600 ... \$30

ACCESSORIES

Aimpoint EOTech HWS



Comp Series M2 & ML2 Red Dot Sights

Specially designed to meet law enforcement and military needs, can withstand the roughest physical handling and extreme weather conditions. The Comp ML2 is designed for use in daylight and in lowlight conditions. The Comp M2 offers compatibility with all generations of Night Vision Devices. With 4 MOA Red Dot reticle, 10 position switch, and hard anodized Graphite Gray finish. Mount pictured not included.

- Aimpoint Comp ML2 AR3685 \$475
- Aimpoint Comp M2 AR3680 \$530

Aimpoint QRP Mount

For use with Picatinny bases.

- QRP Mount AR3686 \$113.50

Spacer shown installed, required to co-witness with QRP. AR3687 \$12.50

Midwest Industries Aimpoint Rings

Height compatible for use with rear mounted back-up sight, hard coat anodized 6061 aluminum.

- Standard Aimpoint Ring. AR3628 \$144

This cantilever ring is height compatible for use with rear mounted night vision monocular, hard coat anodized 6061 aluminum.

- Cantilever Aimpoint Ring AR3627 \$199

Aimpoint 3XMag Magnifying Module

Specially designed for compatibility with Aimpoint sights, this revolutionary tool gives the user the ability to switch in a split second from CQB to semi-sniping and back. Can also be used as a

handheld magnifying monocular. Shown with optional QD Twist Mount. Aimpoint 3XMag AR3692 \$578.25

Aimpoint QD Twist Mount Mounts to Mil-std Picatinny rail, for quick attachment and detachment of 3XMag, co-witnessing with QRP requires a Spacer (AR3687) on the QD Twist Mount and on the QRP Mount AR3693 \$185.15

Samson Flip 3XMag Mount

Mounts the 3XMag to rail, flips magnifying module out of the way when not in use.

- AR3694 \$219

Holographic Weapon Sights By L-3

EOTech 553 shown



Holographic diffraction sight, instantly visible in any light, for true two eyes open shooting, with 20 brightness settings.

- EOTech 511 Uses 2 "N" Batteries AR3780 \$409
- EOTech 512 Uses 2 "AA" Batteries AR3781 \$439

Night Vision Compatible Models:

- EOTech 551 Uses 2 "N" Batteries AR3782 \$509
- EOTech 552 Uses 2 "AA" Batteries AR3783 \$539

EOTech 553 with Dual A.R.M.S. Throw Levers

Pictured above, mounts directly to A4 upper and when so mounted places dot/ring at same height as other EOTechs on the Dominator2. EOTech 553 Uses 2 Lithium Batteries AR3784 \$699

NEW! EOTech 557.AR223

Featuring buttons moved to the left side to allow a closer fit with NV or magnifier, ballistic reticle specific to .223 munitions and a raised 7mm base. Uses two "AA" batteries.

- EOTech 557 .. AR3785 \$589



RRA Dominator2

Designed for FBI SWAT and HRT, the Dominator2 is the ideal EOTech mount, it places the dot just above the front sight post. With integral A2 Rear Sight and seven slots for mounting flexibility. Incompatible with EOTech models 553 and 557. AR0125FASSY \$185

EOTech 3X.FTS Magnifier



Provides vastly improved accuracy at medium range distances, increased target recognition/identification at greater distances and rapid transition from Close Quarters Battle to medium range targeting - and back again. Retro-fits to all current models. The unique Holographic technology allows the center dot to remain 1 moa in size while angular size of the target is magnified. Includes quick detach Flip-To-Side mount that provides elevation and azimuth adjustment to allow the reticle to be centered in FOV.

- EOTech 3X.FTS Magnifier AR3787 \$559

ACCESSORIES

SUREFIRE WEAPONLIGHTS



SureFire Vertical Foregrip WeaponLight

Powered by 3 lithium batteries producing 125 lumens for one-hour of runtime or 225 lumens for twenty minutes with the optional ultra-high output lamp. Includes two momentary activation pressure sensitive pads on either side of grip, a constant-on switch and a third momentary switch for the two low output white light LEDs.

- SureFire M910A-WH - Pictured left
With built-in dual thumb-screw mount AR3031 **\$560**
- SureFire M900A-WH - Pictured right
With built-in A.R.M.S. Throw-Lever AR3030 **\$625**



SureFire M500A WeaponLight and Handguard

An integrated weaponlight and CAR length handguard combination. The WeaponLight is positioned to give a clear field of view, and is controlled by a momentary activation pressure sensitive pad and a constant-on rocker switch. 3 lithium batteries provide 125 lumens for one-hour of runtime or 225 lumens for 20 minutes with the optional ultra-high output lamp. Also features two low output white light LEDs.

- SureFire M500A-WH AR3035 **\$525**

Surefire SR Plug-in Dual Switch with Rail Clip

Features momentary-on pressure pad switch, constant-on push button switch, and snap-on clamp for attachment to a Picatinny rail forend. Available in 5 inch and 7 inch.

- SureFire SR05 - 5 inch AR3036 **\$80**
- SureFire SR07 - 7 inch AR3037 **\$80**



SureFire Spares Carrier

Impact resistant, O-ring sealed watertight polymer containers provide storage for six spare lithium batteries and spare lamp assembly, with convenient wrist lanyard.

- SureFire SC1 AR3039 **\$19**
- SureFire SC2 AR3038 **\$19**



SureFire M951 XM05 WeaponLight



Six-volt shock-isolated system powered by two lithium batteries, provides 65 lumens for one-hour of runtime or 120 lumens for 20 minutes using optional ultra-high output lamp assembly. The system attaches to Picatinny Rail interface via an included dual thumbscrew mount. With 5" removable pressure-activated momentary-on tape switch and click-on/off momentary/constant pushbutton switch.

- SureFire M951 XM05 AR3020 **\$370**

SureFire M961 XM07 WeaponLight



Nine-volt shock-isolated system powered by three lithium batteries, provides 125 lumens for one-hour of runtime or 225 lumens for 20 minutes using the optional ultra-high output lamp assembly. Attaches to Picatinny Rail interface via an included dual thumbscrew mount. With 7" removable pressure-activated momentary-on tape switch and click-on/off momentary/constant pushbutton switch.

- SureFire M961 XM07 AR3021 **\$410**

SureFire M600 Scout Light



The lightweight Scout light attaches to a Picatinny rail with the included thumbscrew clamp. An extremely rugged and powerful LED module uses two lithium batteries to produce 65 lumens of light with a runtime of nearly three hours. With momentary on/off tape switch.

- SureFire M600A Scout Light AR3016 **\$425**

SureFire M600 Scout Light Kit

Comes with Infrared Filter conversion kit and an LU60A incandescent lamp assembly AR3015 **\$545**

ACCESSORIES



RRA Logo Hooded Sweatshirts

Camo Hooded Sweatshirts

Medium, Large, X-Large CL0206 **\$30**
 XX-Large CL0207 **\$36**

Solid Color Hooded Sweatshirts - Colors vary

Medium, Large, X-Large CL0102 **\$30**
 XX-Large, XXX-Large CL0103 **\$36**

RRA Logo Caps



High quality caps with embroidered Rock River Arms logo - Colors vary CL0903 **\$6**



RRA Logo T-Shirts

Camo Short Sleeve T-Shirts

Medium, Large, X-Large CL0204 **\$16**
 XX-Large CL0205 **\$18**

Solid Color Short Sleeve T-Shirts - Colors vary

Medium, Large, X-Large CL0201 **\$12**
 XX-Large, XXX-Large CL0200 **\$14**

Solid Color Long Sleeve T-Shirts - Colors vary

Medium, Large, X-Large CL0401 **\$18**
 XX-Large, XXX-Large CL0402 **\$20**

RRA Logo Sweatshirts



Medium, Large, X-Large - Colors vary CL0101 **\$18**
 XX-Large, XXX-Large - Colors vary CL0104 **\$25**

RRA Logo Shooter Tank Tops



Colors vary.
 Medium, Large, X-Large CL0303 **\$11**
 XX-Large . . CL0304 **\$13**

RRA Logo Tank Tops



Available in Medium, Large, X-L, and XX-L.
 Colors vary . . . CL0301 **\$10**

RRA Logo Coolie Can Insulators



Colors vary.
 RRACOOOLIE **\$2**

RRA LOGO GEAR & GIFTS



**ROCK
RIVER
ARMS, INC.®**

MADE IN U.S.A.

Rock River Arms, Inc. • 1042 Cleveland Road, Colona, IL 61241 • Toll Free Order Line: 866-980-ROCK (7625)
Tel: 309-792-5780 • Fax: 309-792-5781 • Email: info@rockriverarms.com • www.rockriverarms.com