



SUREFIRE[®]

TACTICAL PRODUCTS 2006





Dear SureFire,

My team was ambushed south of Fallujah. We were badly outnumbered and engaged by machine guns, mortar, and rocket propelled grenades.

Two RPG's hit us, one of which impacted a foot from my head, breaking my arm, blowing out both eardrums and dislocating my elbow. My M4 carbine, with a SureFire WeaponLight, was blown out of my hands. We fought for an hour and a half before being medevaced.

When I got back my gear I was amazed to find that my SureFire still worked. It was the only piece of my equipment that survived, including the ruined M4 it was mounted on.

I served in Afghanistan and several tours in Iraq. SureFire has

passed the test of combat.

Thanks for making one hell of a product.

Sincerely,



Sgt. E. Kocher



SGT. KOCHER WAS AWARDED THE BRONZE STAR FOR HIS ACTIONS IN FALLUJAH. WE HONOR HIS COURAGE AND THE SACRIFICES MADE DAILY BY AMERICA'S FIGHTING MEN AND WOMEN.

surefire.com

SUREFIRE[®]

CONTENTS

- 2** SYSTEM OVERVIEW
- 4** NEW PRODUCTS 2006
- 6** THE SUREFIRE DIFFERENCE: SUPERIOR TECHNOLOGY
- 14** HOW TO CHOOSE A LONG GUN WEAPONLIGHT™
- 16** MILLENNIUM® UNIVERSAL SYSTEM WEAPONLIGHTS
- 20** VERTICAL FOREGRIP WEAPONLIGHTS
- 22** SCOUT LIGHT™ WEAPONLIGHTS
- 24** DEDICATED FOREND WEAPONLIGHTS
- 28** CLASSIC UNIVERSAL SYSTEM WEAPONLIGHTS
- 36** HOW TO CHOOSE A HANDGUN WEAPONLIGHT
- 38** X200™ SERIES HANDGUN WEAPONLIGHTS
- 42** MILITARY SERIES HANDGUN WEAPONLIGHTS
- 44** NITROLON® SERIES HANDGUN WEAPONLIGHTS
- 46** SOUND SUPPRESSORS
- 48** PICATINNY RAIL FORENDS
- 49** LASER SIGHTS
- 50** HELLFIRE®
- 52** HELMET LIGHT
- 54** EDGED WEAPONS
- 56** EARPRO® BY SUREFIRE®
- 58** FLASHLIGHTS
- 62** FLASHLIGHT TECHNICAL CHART
- 64** ACCESSORIES
- 66** ABBREVIATED PRODUCT LIST
- 74** PRODUCT ORDERING / NSN NUMBERING

THE TACTICAL TECHNOLOGY COMPANY™



X200 HANDGUN WEAPONLIGHTS

PAGE 38



Advanced handgun WeaponLights. Featuring a tactical-power LED in an extremely lightweight, compact unit.

MILITARY HANDGUN WEAPONLIGHTS

PAGE 42



Super-rugged incandescent handgun WeaponLights designed for battlefield and combat swimmer conditions.

NITROLON HANDGUN WEAPONLIGHTS

PAGE 44



Polymer body incandescent WeaponLight.

SOUND SUPPRESSORS

PAGE 46



The most accurate sound suppressors available, providing improved balance and durability.

EDGED WEAPONS

PAGE 54



User-driven designs, superior materials, precision construction, and extreme durability.

FLASHLIGHTS

PAGE 58



Ultra-bright white to infrared, SureFire flashlights are the choice for mission-critical applications.



SYSTEM OVERVIEW



NEW PRODUCTS: 2006

X200® Adapter Mount for 1911 Pistols. Low-profile adapter permits attachment of your X200 WeaponLight to a standard non-rail 1911-type pistol. See page 41.

X200 Tape Switch Tailcap. Permits using a SureFire X200 WeaponLight on any long gun equipped with a Picatinny rail. Includes our improved plug-in tape switch (right). See page 39.

Plug-In Tape Switch With Rail Clip – Fits SureFire Scout Light, Millennium Universal WeaponLights, and the new X200 Tape Switch Tailcap. Pressure pad section features a snap-on clamp for quick attachment to your Picatinny rail forend and an integral constant-on/off pushbutton switch.



AK-47 Picatinny rail forend (M83). Replaces the original forend of your AK-47 to provide top, bottom, and side rails for mounting WeaponLights, lasers, vertical foregrips, or other accessories. See page 48.

M78 and M79 Flashlight Mounts – Permits attachment of SureFire flashlights to any long gun equipped with a Picatinny rail forend. The M78 fits Executive and Outdoorsman flashlights; the M79 fits Classic Universal WeaponLights or 1" diameter flashlights. Clamp adjusts for slight variations in flashlight diameter.



Helmet Light – Hands-free personal light for soldiers or SWAT team members. Side-mounted unit clamps to MICH helmet and provides low-level white and blue light plus a blinking infrared IFF mini-beacon. See page 52.



The B1R Beast Rechargeable Ultra High-Output Flashlight. Improved version of the original Beast. The stunning 2,000-lumen HID lamp is now augmented with an LED array that provides a long- runtime general-use beam, and the power-supply handle now comes in rechargeable and disposable-battery versions. Go to www.surefire.com for more information. See page 61.

HellFire™ – Ultra-high output target illuminator for heavy machine guns. Mounts permit placement in front of machine gun's ballistic shield. Can also be mounted to vehicles or detached for hand-held spotlight use. See page 50.

The Kroma™ – Variable output multi-spectrum LED flashlight. Selector ring lets you choose two levels of white light (15 or 60 lumens), and two levels of low-output/wide-angle light in red and blue. See page 60.





THE SUREFIRE DIFFERENCE: SUPERIOR TECHNOLOGY

The weapon-mounted lights you see being used by SWAT teams and military personnel are usually SureFire products. Why? Because SureFire's advanced technology delivers illumination tools of superior design, materials, ruggedness, reliability, light output, beam quality, and ergonomics.

The hardest test of equipment is combat and street duty, and the highest stamp of approval for SureFire products is their widespread use by personnel operating in harm's way. When your life depends on having the optimum illumination right when you need it, spend the money to get the best — SureFire. Used by more SWAT teams and military special operations units than any other brand.

MODULARITY

A fundamental benefit for SureFire users is modularity. Our WeaponLights consist of separate components — incandescent lamps, LEDs, reflector modules, bodies, switches, and mounts — that are interchangeable within and often across our main WeaponLight systems, and often interchangeable with our flashlight parts. This provides three fundamental advantages:

- WeaponLights can be quickly modified for particular mission requirements.
- Parts from various WeaponLights can be swapped in the field to make repairs or modifications.
- An armorer's stock of spare WeaponLight parts can be put to broader use instead of being limited to specific equipment models.



High Intensity Discharge (HID) lamp and ballast assembly

HID LAMPS — THE ULTIMATE HIGH-OUTPUT LIGHT SOURCE

High Intensity Discharge (HID) lamps do not use a tungsten filament, as do incandescent lamps. Instead, they use a clear quartz capsule (an "arc tube") having electrodes at either end and containing high-pressure xenon gas and additional chemical components. When sufficient voltage is applied to the electrodes the gas inside the tube is heated and ionized, enabling it to conduct electricity in the form of an "arc" (basically a sustained electrical spark), and causing it to emit light. When functioning, pressure inside the arc tube rises to several times atmospheric pressure.

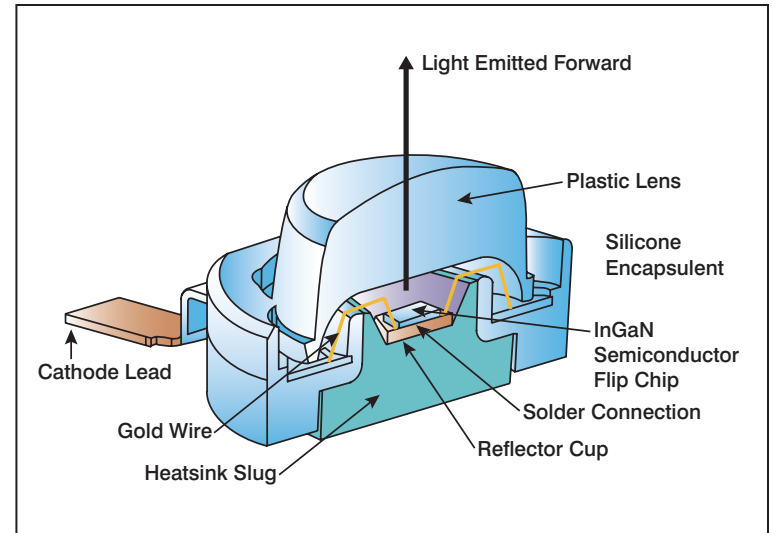
HID lamps are both extremely bright and highly efficient — with an equal power input, they produce many times the lumen output of a tungsten incandescent lamp — and their operating life far exceeds that of comparable incandescent lamps. An additional benefit: since they have no filament to break or burn out they are extremely resistant to mechanical shock and vibration.

LIGHT-EMITTING DIODES — UNPRECEDENTED RELIABILITY

Light-emitting diodes (LEDs) are solid-state light emitters. Although the technology and physics involved in producing LEDs is highly advanced, LEDs themselves are physically fairly simple. As shown at right, an LED consists mainly of a solid emitter mounted on a solid base and attached to electrical leads (wires), with a clear polymer covering for protection and/or light focusing. While LEDs can't yet match the light output of the

brightest bulbs (continuous-use LED sources currently have a practical limit of less than 150 lumens), they do offer several distinct advantages over their incandescent kin, including:

- **Durability.** With no glass bulb or filament to break or burn out, LEDs are virtually immune to failure from mechanical shock — from dropping your flashlight onto a rock, for example.
- **Longevity.** Under normal operating conditions, some high-output incandescent bulbs have a lifespan of less than 50 hours. In contrast, LEDs used in flashlights can last for thousands of hours.
- **Efficiency.** LEDs produce more light-per-watt than the incandescent lamps used in compact flashlights, and — unlike incandescents — LEDs remain efficient at all power levels below their designed maximum output level. This means that as the battery nears exhaustion, an LED will continue to emit light at lower and lower levels, far after an incandescent would have stopped emitting light altogether. In short, with LEDs you get more runtime per battery.



LED diagram compliments of Lumileds Lighting LLC.

LED Quality — All LEDs are not created equal. Even LEDs produced by the same company, at the same factory, on the same line, on the same day, can exhibit wide variances in color and brightness. LED manufacturers test and sort the LEDs they produce into different “bins” according to color and output, and price them based on performance. SureFire only uses LEDs purchased from the highest-quality bins.



SureFire MN21 lamp, showing heavy duty high-output filament.

XENON/HALOGEN INCANDESCENT LAMPS — HIGH-OUTPUT PERFORMANCE

The miniature incandescent lamps that SureFire uses in its WeaponLights and flashlights are not typical off-the-shelf products. They are state-of-the-art devices with the following features:

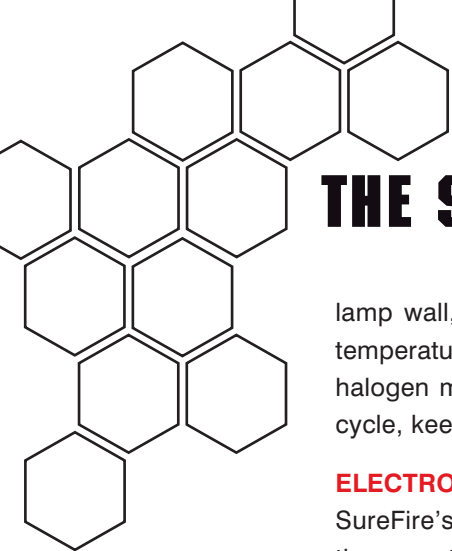
Custom Filaments — The incandescent lamps (“light bulbs”) used in our WeaponLights and flashlights are designed around a specific power supply, light output, and runtime. Filament performance varies according to wire diameter, filament length, filament coil diameter, total coils, and coil-to-coil proximity. Finally, the finished filament must withstand the vibration and G-forces produced by firearms.

Xenon Gas — High filament temperatures (over 5,000°F) cause tungsten atoms to “boil off” the filament and migrate to the cooler glass wall of a lamp, where they condense to form a dark light-blocking layer. Adding a high-pressure inert gas inhibits tungsten boil-off, which reduces the rate of tungsten atom deposition and lengthens the operating life of the lamp. The gas also permits increased filament operating temperature, which in turn increases light output for a given power consumption rate. Argon and krypton are often used as the inert fill gases, but they don’t work as well as xenon. Although xenon is much more expensive, SureFire uses it exclusively to provide optimum lamp performance.



Identical non-SureFire miniature lamps. Left lamp is unused, right lamp shows tungsten deposits after several hours of use.

Halogens — To maximize their operating life and light output, some SureFire lamps contain a proprietary mix of halogens, a family of elements that includes fluorine, chlorine, bromine, and iodine. Inside a functioning incandescent lamp, tungsten atoms boil off the filament, migrate toward the cooler areas near the

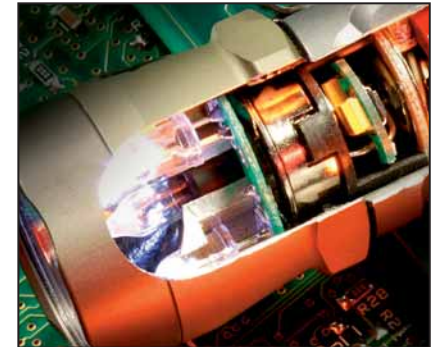


THE SUREFIRE DIFFERENCE: SUPERIOR TECHNOLOGY

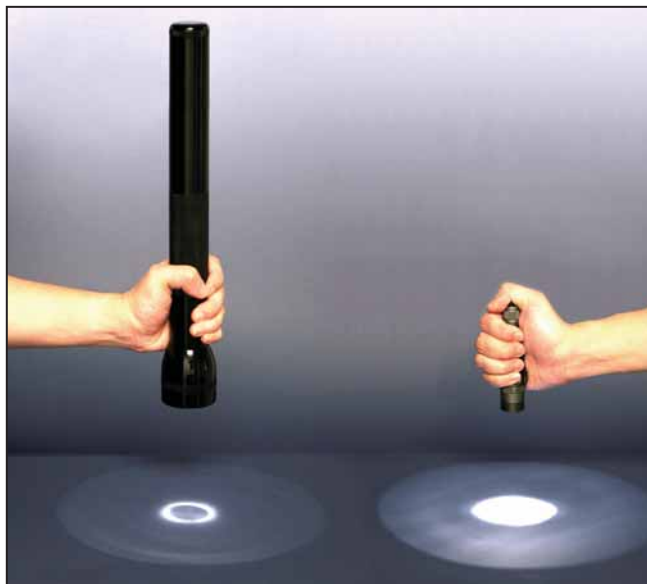
lamp wall, and combine with halogen atoms to form a tungsten halide vapor. This vapor migrates back to the lamp filament, where high temperature breaks it down again into tungsten and halogen atoms. The tungsten atoms are re-deposited on the filament and the oxygen and halogen migrate back toward the bulb wall to re-combine with new boiled-off tungsten atoms. This continuous process, called the halogen cycle, keeps the lamp's glass walls comparatively clean of light-blocking tungsten deposits.

ELECTRONIC POWER REGULATION

SureFire's LED illumination tools contain a rugged, sealed electronic power regulator that supervises the operation of the LED (with the exception of the A2 Aviator®, in which the xenon lamp is regulated). This circuitry assesses battery output, monitors system performance, and controls power supplied to the LED. Power regulation provides a more consistent light output for the usable life of the batteries. Although any LED may continue to produce negligible light output for up to several hundred hours, the amount of useful light produced is of a shorter duration. Power regulation circuitry reduces the amount of negligible output and increases the overall duration of useful light output.



Electronic power regulation unit provides optimum power level.



Alkaline battery flashlight on left shows beam with dark spots and rings. SureFire E2e on right produces a smooth, pre-focused beam. Both lights are shown using new lamps and fresh batteries.

BEAM CHARACTER AND REFLECTOR DESIGN

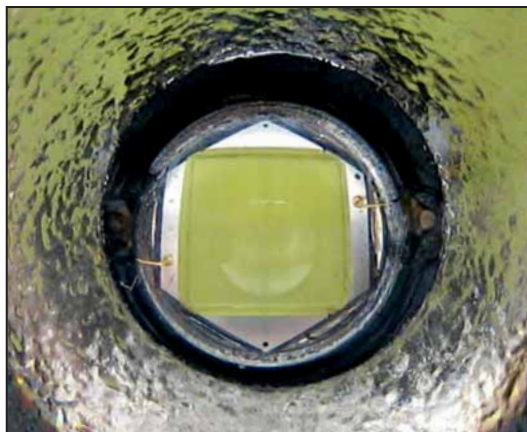
Beam character determines an illumination tool's suitability for a given task. It includes light distribution, or the way the beam's light is apportioned from the center outward, and irregularities, such as dark spots, hot spots, and rings. Irregularities are caused by imprecise reflectors, improperly surfaced reflectors, filament support leg shadows, or "adjustable focusing" that only re-arranges the beam's defects.

Many flashlights exhibit inferior beam character. When directed at night on people, objects, or surfaces, they can produce a view that is confusing, misleading, or even alarming. For example, dark or bright spots in a moving beam can be mistaken for moving objects; bright rings tend to seize our attention. Hard-edged beams, like those of theatrical spotlights, can lack the surrounding light necessary for peripheral vision.

SureFire engineers have developed a number of features to ensure superior beam character, to include:

Precision Aluminum Reflectors

SureFire reflectors are designed to produce optimum beam characteristics. Made from CNC-machined aluminum instead of stamped metal or molded plastic, they exhibit superior strength,



Micro-textured reflector surrounding flat surface of high-output LED.

heat transfer capabilities, and geometric exactness, the latter permitting precise placement of lamp filaments inside the reflector — within .005" of optimum.

Beam Smoothing Micro-Texture

SureFire reflector surfaces are covered with tiny ripples that reflect light at slightly different angles, smoothing out beam irregularities and producing a bright central area surrounded by a gradually diminishing corona. This sort of beam is perfect for most applications because it clearly illuminates the main object of interest while providing enough light for the observer's peripheral vision.

TEMPERED PYREX® WINDOWS WITH ANTI-REFLECTIVE COATINGS

On illumination tools, the transparent covering that protects the reflector and lamp from debris and water is called the window (not "lens"). SureFire WeaponLight windows — and those of most SureFire flashlight models — are made of tempered, coated Pyrex glass, as explained below.

Pyrex — Pyrex glass is essentially ordinary glass with boron added, which gives it two desirable properties: it melts at a higher temperature and has a much smaller coefficient of expansion. In illumination tools, the latter quality helps resist cracking when one part of the window is heated more than another, as when an illumination tool is turned on, or when it is suddenly cooled, as when splashed with water.

Tempering — After performing any cutting, shaping, and drilling required to achieve its final shape, a piece of glass is tempered by heating it above the annealing point (about 1,100°F) and then quickly cooling it with forced air. The resulting surface compression stresses give the piece several times the structural strength of common slow-cooled, or annealed, glass.

Anti-reflective Coating — The windows of SureFire illumination tools have a thin coating of material that reduces reflection losses at the glass surface, which increases the net lumen output of the WeaponLight or flashlight.

TOTAL INTERNAL REFLECTION LENSES

Some SureFire illumination tools use a total internal reflection (TIR) lens that is precision molded from a special cyclo-olefin polymer. The lens surrounds the LED, gathering virtually all of its light, which it reflects and refracts forward in an exceptionally tight beam that cannot be duplicated with a reflector.



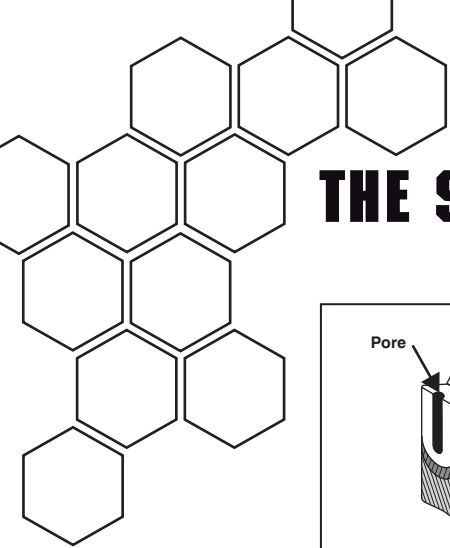
Precision-molded TIR lens.



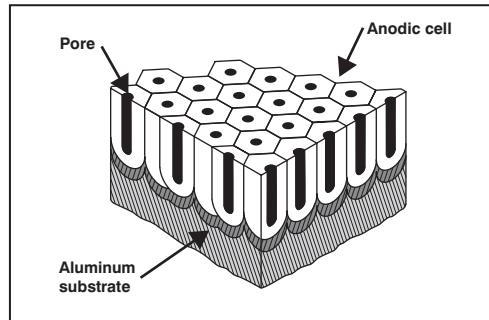
Flashlight body CNC-machined from high-strength aerospace grade aluminum alloy.

ANODIZED ALUMINUM ALLOY CONSTRUCTION

SureFire's aluminum-body WeaponLights are machined from a high-strength aerospace-grade alloy, making them extremely resistant to damage from impact, crushing, or bending, and allowing them to be made as small and light as possible without sacrificing strength. Note: Some of our lights are made of Nitrolon — see following section.



THE SUREFIRE DIFFERENCE: SUPERIOR TECHNOLOGY



Cross-section diagram of hard anodizing, showing surface pores containing trapped dye colorant.

SureFire's aluminum-body WeaponLights and flashlights are protected by a finish called anodizing. The anodizing process (from anode, the positive side of an electrical circuit) uses electricity and a chemical bath to "grow" a layer of aluminum oxide on an aluminum surface. Aluminum oxide is the second-hardest substance known to man, exceeded only by diamond, and certain anodized finishes can be made extremely hard, such as the Mil-A-8625 Type III Class 2 military specification finish that SureFire uses.

NITROLON®

Some flashlights are made of relatively cheap polymers (plastics) such as ABS. SureFire's polymer WeaponLight and flashlight bodies are made of Nitrolon, a proprietary high-strength, non-conductive, impact-resistant, glass-

filled polyamide nylon polymer. "Glass-filled" means that the polymer matrix has been mixed with fine glass fibers that add rigidity, abrasion resistance, and increased stability at higher temperatures.

LITHIUM BATTERIES

As a commitment to our customers and products, SureFire sells its own brand of quality 123-type lithium batteries at a very low price. Our WeaponLights and non-rechargeable flashlights use these lithium batteries because of their advantages over alkaline batteries. These advantages are:

Shelf Life — At room temperature, lithium batteries can be stored 10 years and still supply about 90% of their power. Alkaline batteries have a significantly shorter shelf life.

Temperature Tolerance — Lithium batteries function over a wide temperature range (-60° to 80°C, or -76°F to 176°F), although power is reduced at the extremes. In contrast, alkaline batteries function poorly below freezing and at higher temperatures. The temperature tolerance of lithium batteries also benefits their shelf life. Storing alkaline batteries at higher temperatures can kill them in a few months, but lithium batteries stored for years at similar temperatures can still function effectively.

Power Density — For a given size (volume), lithium batteries produce much more power than alkaline batteries. For example, given same-sized batteries and the same power load, it would take about 2.5 alkaline batteries to match the power output of one lithium battery.

Weight — For a given size (volume) lithium batteries weigh about half as much as alkaline batteries. For example, an alkaline battery the size of a SureFire SF123 battery would weigh about twice as much.



SureFire's Multi-axis Computer Numerically Controlled lathes ensure precision-machined components.



Voltage — Terminal voltage for lithium batteries is 3 volts compared to 1.5 for alkaline batteries.

Voltage Maintenance — A lithium battery maintains fairly constant voltage for up to 95% of its life, depending on discharge rate. At moderate to high discharge rates, alkaline battery voltage drops rapidly due to internal battery resistance, which wastes power. The large reaction area provided by a lithium battery's wound-plate construction provides very low internal resistance, ideal for high current loads.

REAL PERFORMANCE MEASUREMENTS

Some manufacturers dramatize light output measurements by using candlepower units, which are sometimes grossly inflated. So, if you're shopping for an illumination tool and real performance is important to your decision, you'll need to know a few facts about the science of measuring light.

The term "candlepower" as used by many flashlight manufacturers is typically a measurement of the single brightest point in the beam. This measurement by itself is of limited value in determining the actual character and usefulness of the light produced. The beam can be uneven with dark spots and gross variations in brightness — none of which would be revealed by a single measurement. Simply put, for a flashlight, one needs to know how much light it produces, for how long (on a set of batteries), and how the light is spatially distributed.

For visible light the "amount" or "power" of the light is specified in lumens, and for non visible infra red or ultra violet light it is specified in watts. Lumens is a photometric quantity found by measuring the radiant power (watts) across the light's spectrum and then correcting the data for the relative response of the human eye across the spectrum of the light. These measurements and calculations are done with an instrument called an integrating sphere.

For completeness, one would like to see how this lumen value varies from the time the flashlight is first turned on (with fresh batteries) up until the light finally goes off when the batteries become completely exhausted. From such data one can then see what the flashlight's practical lumen output and runtime is, as opposed to "maximum" or "up to" values given for marketing purposes. Of equal interest is how the light is spatially distributed.

Flashlights that use a parabolic reflector produce two beams, a focused beam (which is the light redirected by the reflector) and a wide-angle beam (which is the light coming from the lamp directly, which doesn't first hit the reflector). Typically two thirds or so of the lumens emitted are in the central focused beam with the remaining one third being in the wide-angle beam. LED flashlights that use a TIR (Total Internal Reflection) lens can be designed to have virtually any distribution, from all of the light in a narrow focused beam to all of the light in a uniform wide-angle beam, or any combination desired.

The precise way to specify the spatial distribution of the light (in the "far field") is to specify its intensity (in candela or lumens per steradian) in all directions that the light is emitted from the flashlight. This of course is a lot of data to collect and display, but it is what is required for making really meaningful comparisons among different flashlights.

At SureFire we take performance seriously and over the last two decades we have built up one of the finest photonics labs in the country. We use the data collected in this lab to ensure that our illumination tools are optimized in terms of output, runtime, and beam characteristics.

Our latest addition is a fully automated computer controlled instrument for measuring candela over a full half hemisphere, which along with our latest integrating sphere spectral light measurement system, allows us the ability to completely characterize the performance of any battery powered illumination system.



(Light expert) Dr. Peter Hauk runs a test with the integrating sphere photometer in the SureFire laboratory.

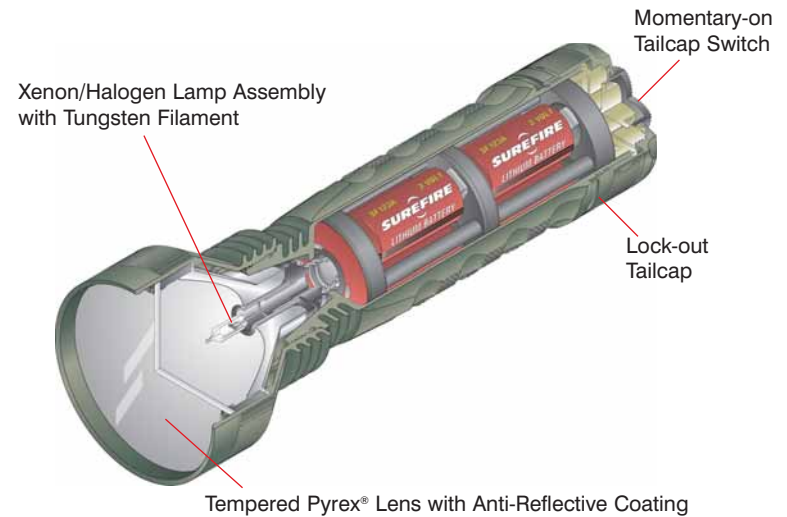
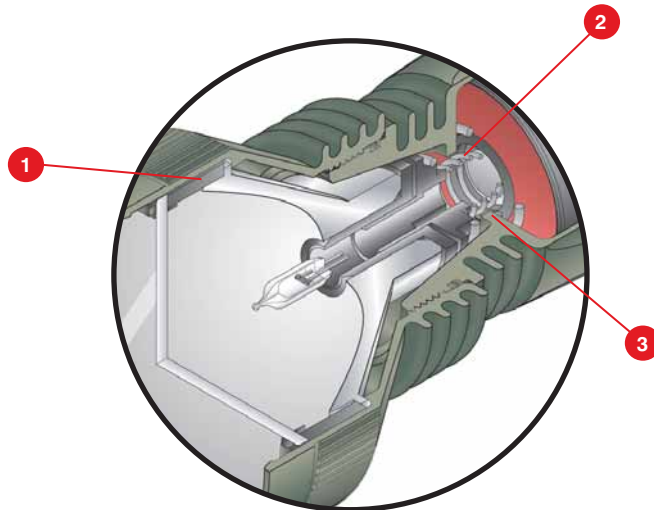
THE SUREFIRE DIFFERENCE: SUPERIOR TECHNOLOGY

SHOCK ISOLATION AND PROTECTION

SureFire's incandescent WeaponLights and Special Operations Series flashlights feature shock-resistant lamp assemblies. This shock isolation acts much like the suspension in an automobile, using springs and dampers to help prevent external forces from damaging lamp parts — particularly filaments. Additionally, a machined-in barrier prevents batteries from slamming forward into the lamp assembly during recoil. Note: SureFire Scout Light and X200 Series WeaponLights use an LED light source that needs no shock isolation because LEDs are inherently resistant to shock and vibration damage.

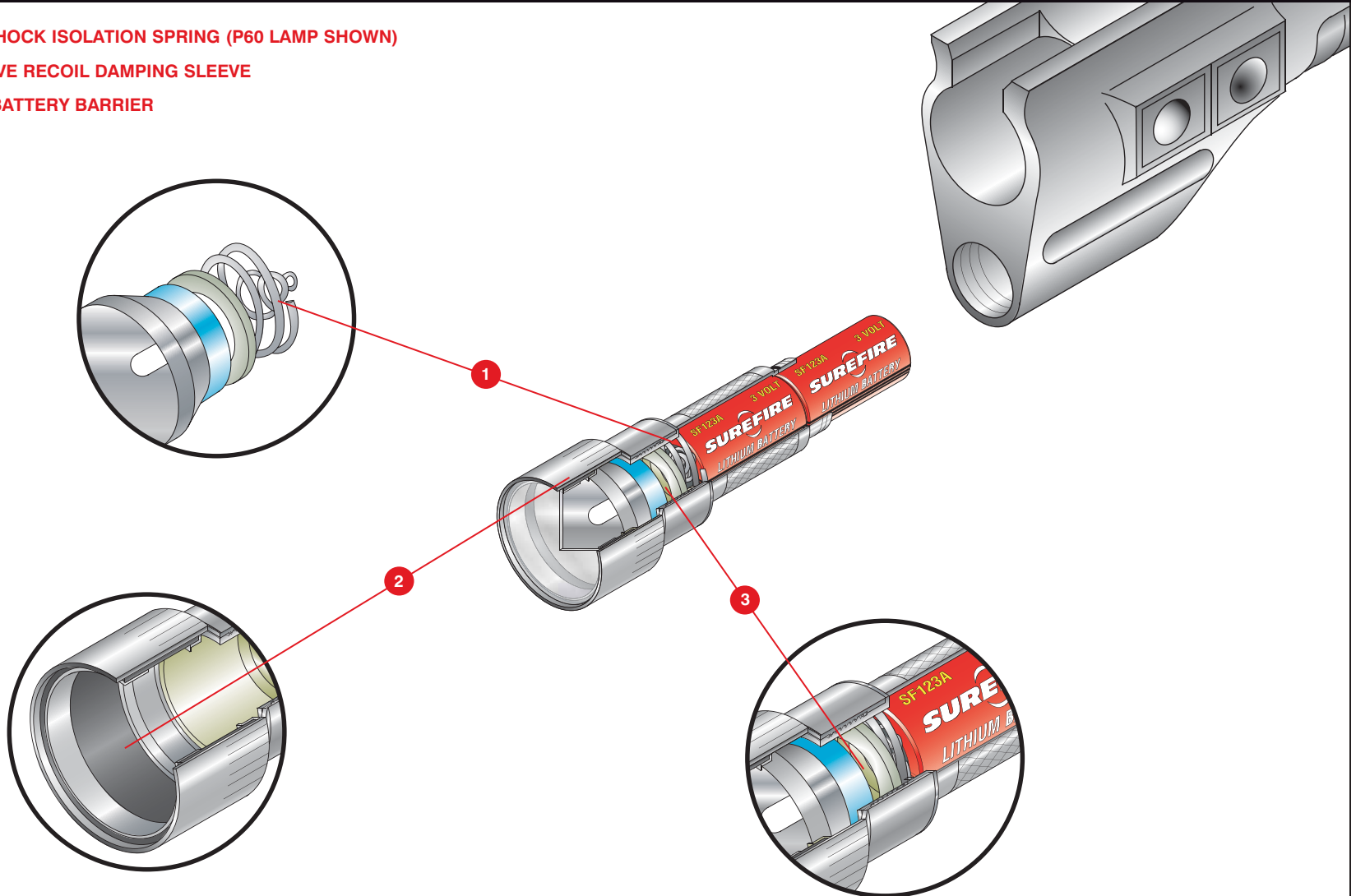
M6® GUARDIAN®: FLASHLIGHT SHOCK ISOLATION

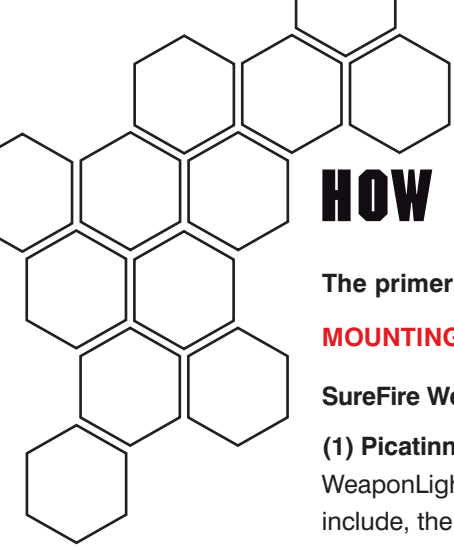
1. COMPRESSIVE RECOIL DAMPING SLEEVE
2. INTEGRAL SHOCK ISOLATION SPRING (MN21 LAMP SHOWN)
3. MACHINED BATTERY BARRIER



WEAPONLIGHT SHOCK ISOLATION

1. INTEGRAL SHOCK ISOLATION SPRING (P60 LAMP SHOWN)
2. COMPRESSIVE RECOIL DAMPING SLEEVE
3. MACHINED BATTERY BARRIER





HOW TO CHOOSE A LONG GUN WEAPONLIGHT

The primer below will provide a basic foundation for selecting a WeaponLight for your rifle, carbine, submachine gun, or shotgun.

MOUNTING

SureFire WeaponLights for long guns are available in three mounting configurations:

(1) Picatinny Mount — For firearms equipped with Picatinny (MIL-STD 1913) rails, these WeaponLights feature an integral Picatinny rail clamp for rapid on-off attachment. They include, the Millennium Universal, Vertical Foregrip and Scout Light Weaponlights



(2) Universal — For firearms without rails, or for firearms whose rails are already in use, WeaponLights can be attached to barrels, magazine tubes, front sight posts, etc. via SureFire's selection of universal mounts. This includes the Classic Universal system WeaponLights



(3) Replacement Forends — These WeaponLights replace the weapon's original forend and feature integral tactical lights and switching, with no exposed switch cables. This includes our Dedicated Forend WeaponLights for shotguns, H&K, MP5/94/53 and AR/M16 firearms.



LIGHT OUTPUT VS. SIZE, WEIGHT, AND APPLICATION

Ideally your WeaponLight should do two things: (1) enable you to see your opponent in your most probable operational environment; (2) be bright enough to immediately degrade an opponent's night vision but not significantly degrade your own night vision.

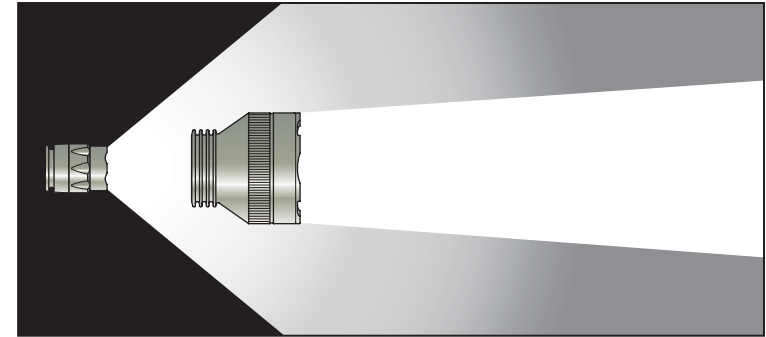
SureFire WeaponLights operate on 6, 9, or 12 volts, provided by two or more 3-volt lithium batteries. Generally speaking, more batteries means higher voltage, which means higher light output measured in lumens. WeaponLight output ranges from 65 lumens in a typical 6-volt/two-battery unit to over 500 lumens in the M500B Dedicated Forend WeaponLight. SureFire recommends 60 lumens (depending on reflector size and beam characteristics) as the minimum output level to cause momentary blindness in a subject whose eyes are dark-adapted and who is no more than ten yards distant.

You might be tempted to choose a very high output WeaponLight for all purposes, but this could be the wrong decision. Higher light output WeaponLights use more batteries and are therefore larger and heavier. This can be significant when the firearm is used in tight quarters, or carried over long distances, or held in a firing position for extended periods of time, or must be manipulated with maximum rapidity.

Furthermore, in close range engagements, such as inside buildings or caves, too much light output can result in excessive bounce-back light that could degrade your own night vision. For close to medium-range operations, such as structure clearing, or where targets may be one or more blocks away or in upper-floor windows, a two- to three-battery (6V-9V) light is probably best. For longer-ranges, or for sniping, a three, four, or even six-battery light is appropriate.

REFLECTOR AND BEAM SHAPE

Producing a tight beam with increased range or “reach” requires a larger reflector. Choose a 2.5" Turbohead reflector for operations conducted at standoff ranges, such as maritime interdiction, border patrol, sniping, etc. Choose a smaller reflector size for close to medium range engagements.

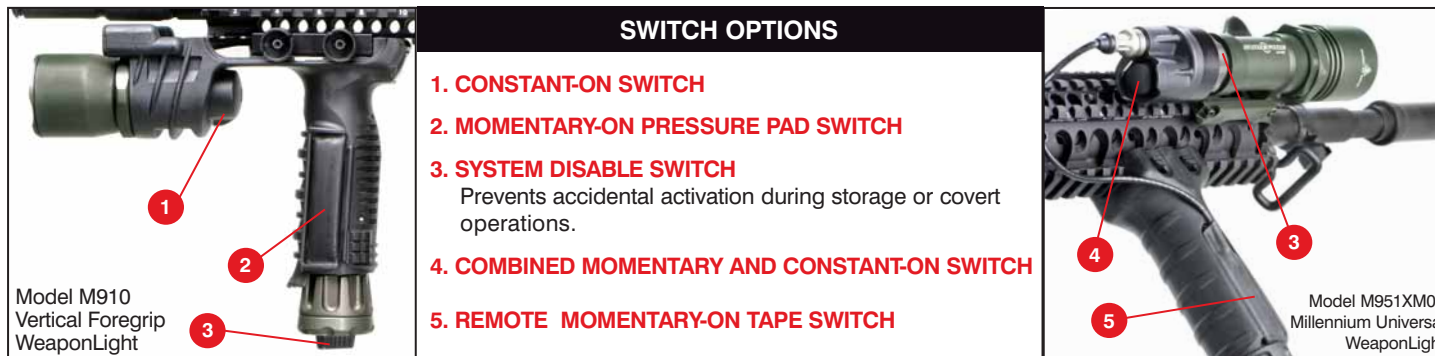


Comparative beam difference between 1" and 2.5" reflectors (not to scale).

SWITCHING

SureFire WeaponLight switches provide two basic types of activation:

- Momentary-on — light is activated by applying pressure; removing pressure automatically deactivates light
- Constant-on — light stays on until the switch is manually returned to the off position



INCANDESCENT LAMP VS. LIGHT EMITTING DIODE

SureFire makes two LED WeaponLights: the Scout Light, a lightweight unit designed for close quarter battle, and the X200, the world’s most advanced handgun WeaponLight.

Two advantages of LEDs over incandescent lamps are longer runtimes per set of batteries and virtual immunity to damage from recoil, vibration, or dropping because they have no filaments or bulbs to break or burn out.

However, LEDs have certain disadvantages. First, currently available LEDs cannot produce the higher light outputs needed for some WeaponLight applications. Second, LEDs generally produce a broader, more diffused beam not suited to long-range work. Third, white light LEDs produce no infrared radiation (IR), so the user cannot convert an LED WeaponLight into an infrared source by fitting it with an IR filter (unlike WeaponLights using incandescent lamps). This is why SureFire offers an incandescent lamp module and IR filter to convert the Scout Light into an IR source.

LED technology is evolving rapidly and SureFire is taking the lead in applying this advanced technology. As LED output levels increase and beam-focusing options are developed, SureFire will offer more LED WeaponLight options.

MILLENNIUM UNIVERSAL SYSTEM WEAPONLIGHTS



The new XM tailcap switch assembly features a plug-in momentary-on tape switch and a constant on/off pushbutton switch, providing activation options and switching redundancy.



Model M951XM07

The two, three, and four-battery lights in the Millennium Universal WeaponLight System (MU System) attach to a Picatinny rail via integral throw-lever or thumbscrew clamps. The shock-isolated system is modular, with interchangeable components that permit rapid field conversion to the desired light output, bezel size, and switch configuration. The bezel, lamp, and tailcap are also interchangeable with SureFire's Special Operations Series of flashlights, providing parts redundancy and field-expedient repairs.

MU System WeaponLights can accommodate a SureFire laser and a variety of lamp modules, including a tight-focus Turbohead reflector for illumination at extended ranges. Available accessories include infrared filters and ultra high-output replacement lamps.

These WeaponLights are constructed of aerospace-grade, hard-anodized (Mil-A-8625 Type III Class 2) aluminum. Like all SureFire WeaponLights, they feature the highest degree of shock-isolation to ensure maximum reliability in combat situations.

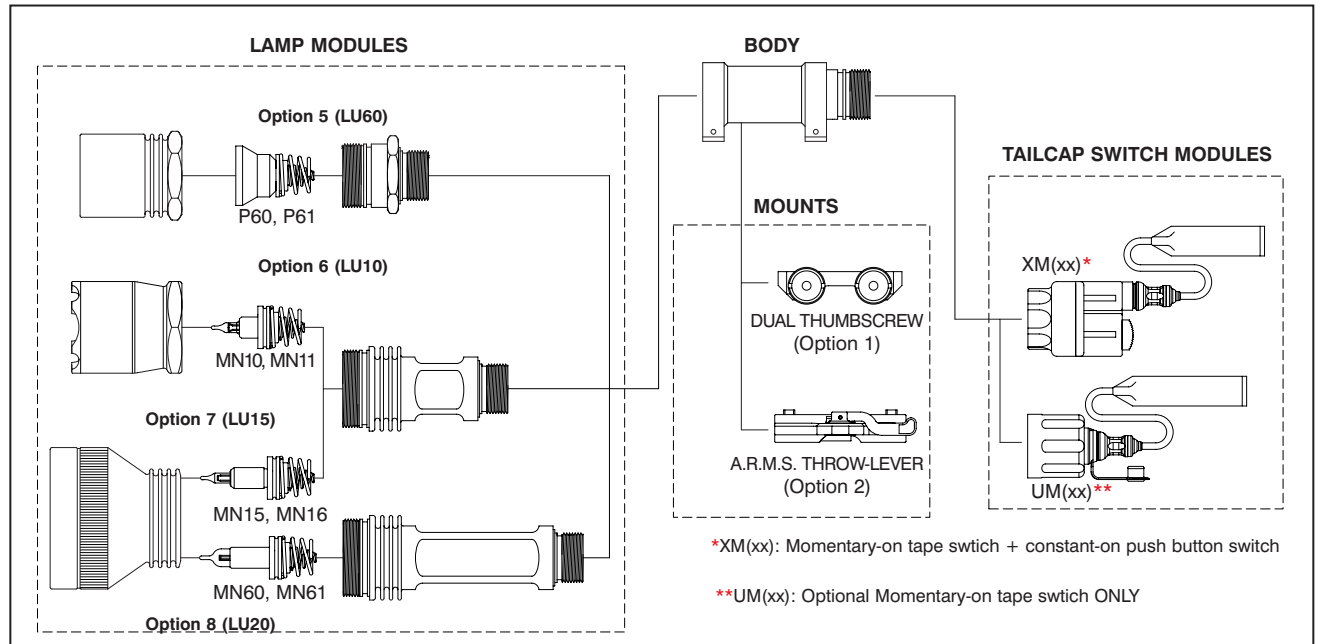
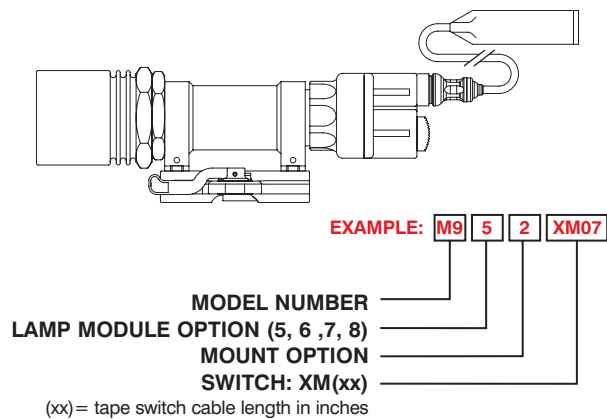


Model M961XM07



AP Worldwide

MILLENNIUM UNIVERSAL SYSTEM: MODULAR COMPONENTS



| | | M95x SERIES 2 BATTERY (6V) LU60 LAMP MODULE | | M96x SERIES 3 BATTERY (9V) LU10 LAMP MODULE | | M97x SERIES 3 BATTERY (9V) LU15 LAMP MODULE | | M98x SERIES 4 BATTERY(12V) LU20 LAMP MODULE | |
|------------------|-------------------------------|---|-------------|---|-------------|---|-------------|---|-------------|
| | | THUMBSCREW | THROW-LEVER | THUMBSCREW | THROW-LEVER | THUMBSCREW | THROW-LEVER | THUMBSCREW | THROW-LEVER |
| SWITCH OPTIONS | TAPE + PUSH BUTTON (STANDARD) | M951XMxx | M952XMxx | M961XMxx | M962XMxx | M971XMxx | M972XMxx | M981XMxx | M982XMxx |
| | TAPE SWITCH ONLY (OPTIONAL) | M951UMxx | M952UMxx | M961UMxx | M962UMxx | M971UMxx | M972UMxx | M981UMxx | M982UMxx |
| BEZEL SIZE | | 1.47 inches | | 1.62 inches | | 2.5 inches | | 2.5 inches | |
| LAMP ASSEMBLY | | P60 | P61 | MN10 | MN11 | MN15 | MN16 | MN60 | MN61 |
| MAX LUMEN OUTPUT | | 65 | 120 | 125 | 225 | 125 | 225 | 225 | 350 |
| RUNTIME MINUTES | | 60 | 20 | 60 | 20 | 60 | 20 | 60 | 20 |
| FILTERS | | FM65 Red | | FM15 Red | | FM25 Red | | FM25 Red | |
| | | FM66 Blue | | FM16 Blue | | FM26 Blue | | FM26 Blue | |
| | | FM63 IR | | FM13 IR | | FM23 IR | | FM23 IR | |
| | | FM64 Diffusion | | FM14 Diffusion | | FM24 Diffusion | | FM24 Diffusion | |
| | | FM67 Cover | | FM17 Cover | | FM27 Cover | | FM27 Cover | |

MILLENNIUM UNIVERSAL SYSTEM

SWITCH OPTIONS



XM TAILCAP SWITCH ASSEMBLY

Waterproof unit includes system disable feature, click on/off pushbutton switch, and plug-in momentary-on remote tape switch. The pushbutton and pressure-activated tape switch operate independently, providing switch redundancy. Standard pressure pad cable length is 7" (fits most rifle/carbine applications). Non-standard cable lengths available.



SR PLUG-IN TAPE SWITCH WITH RAIL CLIP

Pressure pad section features a snap-on clamp for quick attachment to your Picatinny rail forend and an integral constant-on/off pushbutton switch. The SR switch is available as an accessory only.

MOUNT OPTIONS



Model M49

Thumbscrew Mount

A solid, secure mount that attaches in seconds.



Model M50

A.R.M.S. Throw-Lever Mount

Allows rapid mounting and dismounting.

MILLENNIUM UNIVERSAL SYSTEM



| | |
|--------------------------------|------------------|
| M951XM(xx) / M952XM(xx) | |
| Lumen Output: | 65/120** |
| Minutes Runtime: | 60/20** |
| Switch Assembly: | XM (7" standard) |
| Bezel Diameter: | 1.47 inches |
| Mount (M951): | Thumbscrew |
| Mount (M952): | Throw Lever |
| Batteries: | Two |



| | |
|--------------------------------|------------------|
| M961XM(xx) / M962XM(xx) | |
| Lumen Output: | 125/225* |
| Minutes Runtime: | 60/20* |
| Switch Assembly: | XM (7" standard) |
| Bezel Diameter: | 1.62 inches |
| Mount (M961): | Thumbscrew |
| Mount (M962): | Throw Lever |
| Batteries: | Three |



| | |
|--------------------------------|------------------|
| M971XM(xx) / M972XM(xx) | |
| Lumen Output: | 125/225* |
| Minutes Runtime: | 60/20* |
| Switch Assembly: | XM (7" standard) |
| Bezel Diameter: | 2.5 inches |
| Mount (M971): | Thumbscrew |
| Mount (M972): | Throw Lever |
| Batteries: | Three |



| | |
|--------------------------------|------------------|
| M981XM(xx) / M982XM(xx) | |
| Lumen Output: | 225/350* |
| Minutes Runtime: | 60/20* |
| Switch Assembly: | XM (7" standard) |
| Bezel Diameter: | 2.5 inches |
| Mount (M981): | Thumbscrew |
| Mount (M982): | Throw Lever |
| Batteries: | Four |

*With included ultra high-output lamp
 **With optional ultra high-output lamp
 (xx) = cable length in inches

THE LEOPARD LIGHT: MU HYBRID

The Leopard Light gives military and law enforcement snipers a scope-mounted, long-range target identification and distraction system in a balanced, shock-isolated package that can be activated with a grip- or bite-activated momentary-on tape switch. Four lithium batteries and a 2.5" Turbohead reflector provide the power and beam concentration to illuminate targets hundreds of meters away.



TO ORDER: 800.828.8809 > www.surefire.com

VERTICAL FOREGRIP WEAPONLIGHTS



Model M910A



A Vertical Foregrip WeaponLight provides the operator with an ergonomic advantage and increased control during sustained firing.

Two low-output LEDs provide enough light for stealth navigation. Available in red, white, blue and infrared.

Three-battery Vertical Foregrip WeaponLights attach to a Picatinny rail via integral throw-lever or thumbscrew clamps. Four types of switches are integrated into each unit: (1) ambidextrous momentary activation pads to control the main battle light (2) a constant-on switch (3) a system disable switch, and (4) a momentary switch to control two low-output LEDs useful for stealth navigation.

The Vertical Foregrip bezel and lamp are identical to those used in selected SureFire Special Operations Series flashlights, giving the operator interchangeable parts for field-expedient repairs. Available accessories include infrared filters and ultra high-output replacement lamps. For long-range use, models featuring a larger Turbohead reflector are available.

Like all SureFire WeaponLights, these models feature the highest degree of shock-isolation for maximum reliability in combat situations.



Model M910A



VERTICAL FOREGRIP WEAPONLIGHTS

SWITCHING

1. CONSTANT-ON SWITCH

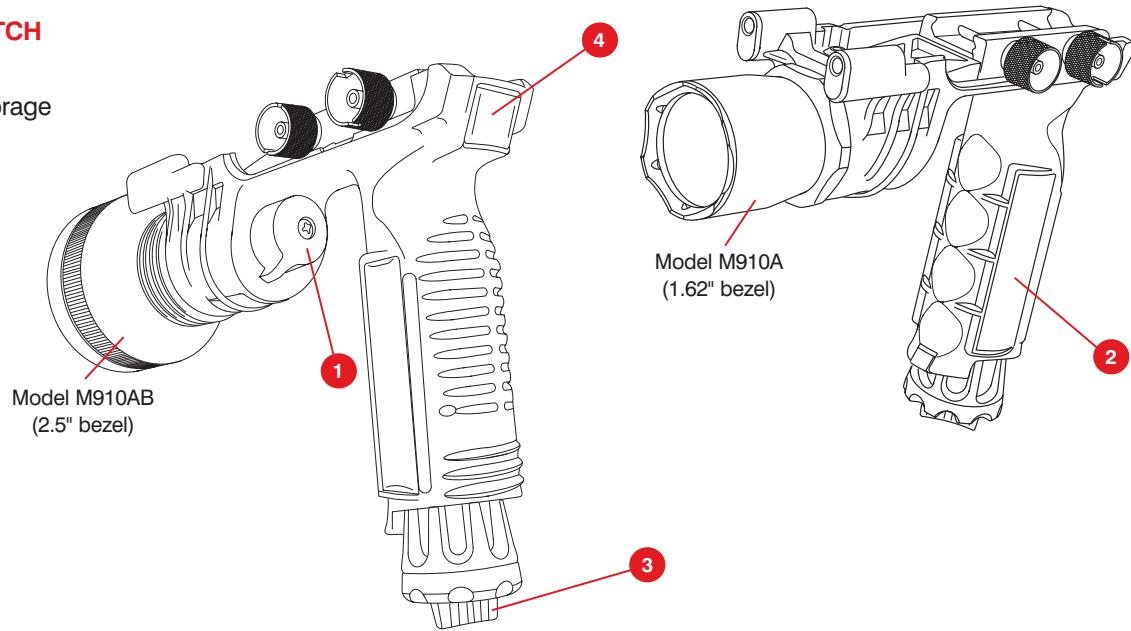
2. MOMENTARY-ON PRESSURE PAD SWITCH

3. SYSTEM DISABLE SWITCH

To prevent accidental activation during storage or covert operations.

4. MOMENTARY-ON SWITCH FOR LEDS

Useful for stealth navigation.



| MODEL | M900 | | M910 | |
|---------------|--|--|--|--|
| | A.R.M.S. THROW-LEVER MOUNT | | THUMBSCREW MOUNT | |
| | A | AB | A | AB |
| BEZEL SIZE | 1.62 inches | 2.5 inches | 1.62 inches | 2.5 inches |
| LAMP ASSEMBLY | MN10 (125 lumens) MN11 (225 lumens) | MN15 (125 lumens) MN16 (225 lumens) | MN10 (125 lumens) MN11 (225 lumens) | MN15 (125 lumens) MN16 (225 lumens) |
| FILTERS | FM15 Red FM16 Blue FM13 IR FM14 Diffusion FM17 Cover | FM25 Red FM26 Blue FM23 IR FM24 Diffusion FM27 Cover | FM15 Red FM16 Blue FM13 IR FM14 Diffusion FM17 Cover | FM25 Red FM26 Blue FM23 IR FM24 Diffusion FM27 Cover |



SCOUT LIGHT WEAPONLIGHT



The Scout Light is compact and lightweight, leaving more space for other rail-mounted accessories.



Model M600A

The two-battery Scout Light attaches to a Picatinny rail via an included thumbscrew clamp. An extremely rugged and powerful LED module produces 100 lumens of electronically-regulated light with a total runtime of nearly three hours. Switching is accomplished with a momentary-on remote tape switch that can be unplugged from the light if repairs or adjustments are required.

Compact size, reduced weight, and a wider beam (compared to incandescent WeaponLights with larger reflectors) make the Scout Light perfect for CQB operations, urban operations, and extended missions where every ounce counts.

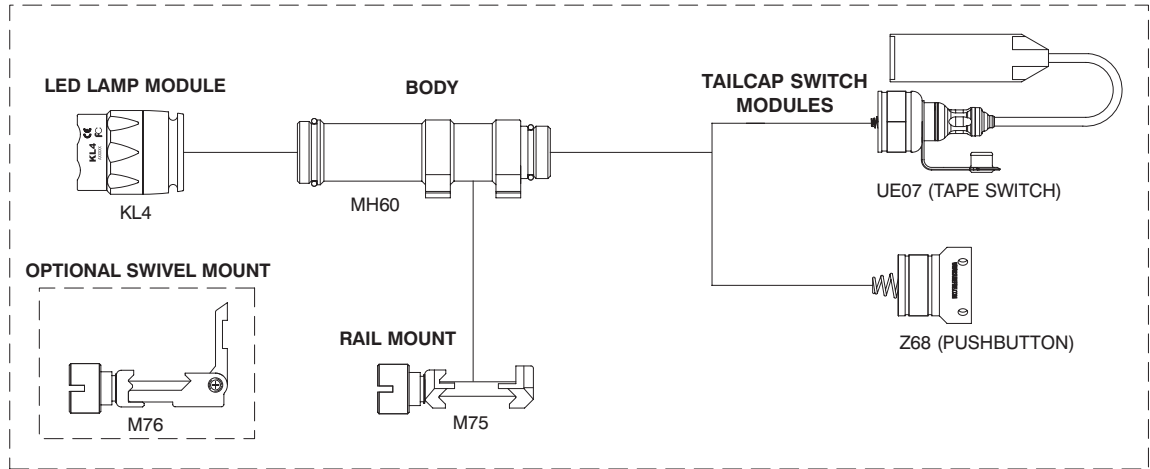
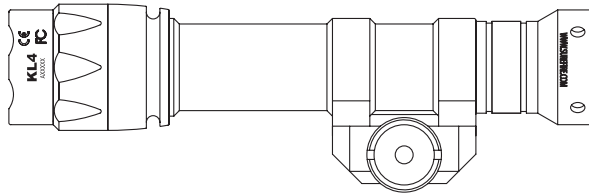
Users who need infrared capability from their Scout Light can replace the LED module with the LU60A incandescent module plus an FM63 IR filter. This is necessary because white light LEDs produce an insignificant amount of infrared radiation. Available Scout Light accessories also include an M76 swivel mount that allows the light to be extended away from the forend in a range of positions.

A Scout Light paired with the SureFire M1 Infrared Illuminator on the new SureFire M63 Picatinny rail gives the operator dual capabilities.

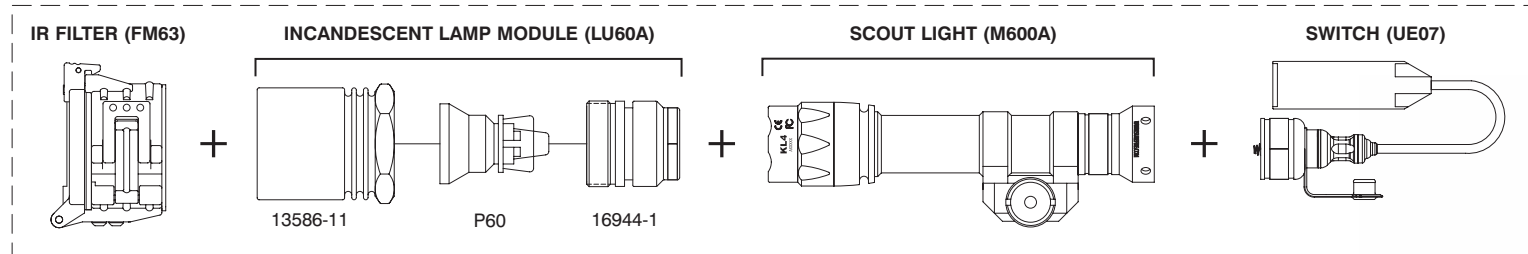


SCOUT LIGHT WEAPONLIGHT: COMPACT, LIGHTWEIGHT, RUGGED

SCOUT LIGHT (M600A)

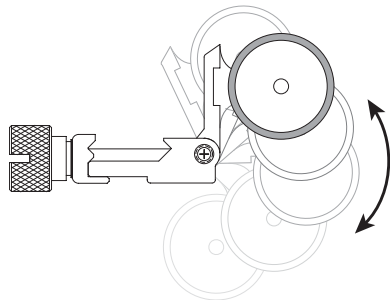


The Scout Light is also available in a preconfigured kit (M600-KT01) that includes the standard Scout Light with LED module, as well as an incandescent lamp module and an infrared filter.



M76 SWIVEL MOUNT

The optional M76 swivel arm mount gives the operator a greater range of setup options by allowing the Scout Light to be fixed in multiple positions parallel to the rail.



For instant white light or infrared on demand, mount the Scout Light with the M1 Infrared Illuminator (far right) shown here with an M31 mount and UM07 remote tape switch.

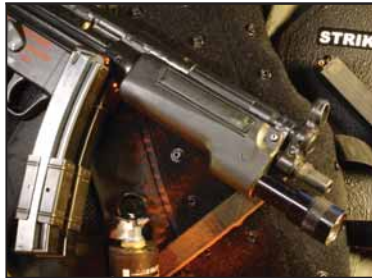




DEDICATED FOREND WEAPONLIGHTS



Some models feature a larger Turbohead reflector for long-range use, as on this Millennium M500AB Dedicated Forend.



SureFire's H&K MP5 Dedicated Forend has been adopted by security forces around the globe.



Model 618FA

Designed to fit most popular battle rifles, carbines, shotguns, and submachine guns, Dedicated Forend WeaponLights replace the weapon's original forend and include a shock-isolated tactical light and switching cleanly integrated within the forend. A Dedicated Forend generally weighs less and costs less than a comparably performing Picatinny rail/WeaponLight combination. For that reason Dedicated Forends are recommended for military security forces and civilian law enforcement applications that do not require the extensive accessory mounting capabilities of a SureFire Picatinny rail forend.

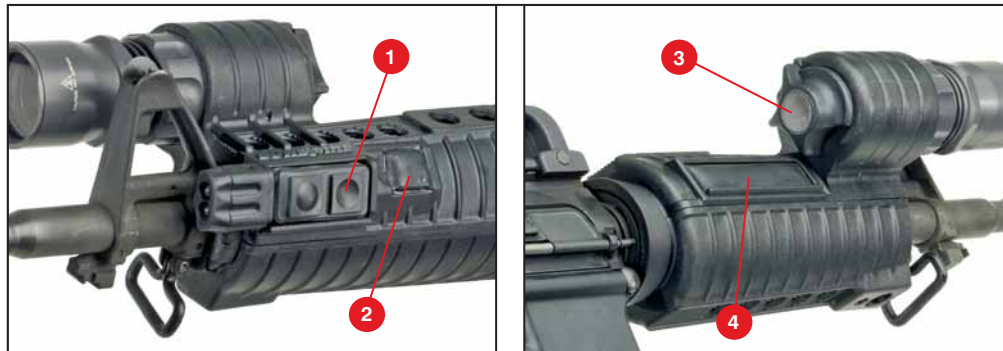
Switching options range from a single integrated momentary-on pressure pad to a complete array of switches providing maximum control. Some models also feature low-output navigation LEDs in addition to the main lamp. Available accessories include infrared filters, ultra-high output replacement lamps, and laser sighting modules.

Like all SureFire WeaponLights, these models feature the highest degree of shock-isolation to ensure maximum reliability in combat situations.



DEDICATED FOREND: RIFLE/CARBINE

Recommended for law enforcement applications and civilian home defense, and designed to fit most popular battle rifles and carbines, Dedicated Forends WeaponLights replace the weapon's original forend and include a shock-isolated tactical light and switching cleanly integrated within the forend.



SWITCHING

- 1. CONSTANT-ON ROCKER SWITCH**
- 2. OPTIONAL LED MOMENTARY-ON SWITCH**
For LED stealth navigation lights (White, Red, Blue or Infrared). LEDs not available on M510 and M511 models.
- 3. SYSTEM DISABLE SWITCH**
To prevent accidental activation during storage or covert operations.
- 4. MOMENTARY-ON PRESSURE PAD SWITCH**

A Series:

- 3 batteries (9V)
- 225 lumens max output*
- 1.62" bezel
- For CQB and urban operations



AB Series:

- 3 batteries (9V)
- 225 lumens max output*
- 2.5" bezel
- For close to medium range applications



B Series:

- 6 batteries (9V parallel)
- 500 lumens max output*
- 2.5" bezel
- For extended range applications



*Using optional ultra high-output lamp

MILLENNIUM DEDICATED FORENDS

| | MODEL A SERIES 9V 1.62" BEZEL | MODEL AB SERIES 9V 2.5" BEZEL | MODEL B SERIES 9V (Parallel) 2.5" BEZEL |
|--|--|--|---|
| CAR15, M4 CARBINE | M500A | M500AB | M500B |
| AR15 <small>CIRCULAR HANDGUARD CAP</small> | M510A | M510AB | M510B |
| AR15, M16 <small>TRIANGULAR HANDGUARD CAP</small> | M511A | M511AB | M511B |
| HK G36K CARBINE | M560A | M560AB | M560B |
| HK G36 | M570A | M570AB | M570B |
| SIG 551 | M520A | M520AB | M520B |
| BATTERIES (Lithium) | 3 (SF123A) | 3 (SF123A) | 6 (SF123A) |
| LAMP ASSEMBLY | MN10 (125 lumens) MN11 (225 lumens) | MN15 (125 lumens) MN16 (225 lumens) | MN20 (225 lumens) MN21 (500 lumens) |
| FILTERS | FM15 Red FM16 Blue FM13 IR FM14 Diffusion FM17 Cover | FM25 Red FM26 Blue FM23 IR FM24 Diffusion FM27 Cover | |



DEDICATED FOREND WEAPONLIGHTS: **H&K MP5/94/53**

Replaces the existing forend on H&K models MP5, 94, and 53. Comes with a momentary-on pressure pad switch only, or can be ordered with an added constant-on switch.



SWITCH OPTIONS

- 1. CONSTANT-ON ROCKER SWITCH**
(628F and 629F only)
- 2. MOMENTARY-ON PRESSURE PAD SWITCH**
- 3. MOMENTARY-ON TAPE SWITCH**
For pistol grip attachment. For 629 and 629F only.

| SMG DEDICATED FORENDS | |
|-----------------------|---|
| MODEL | SWITCHING |
| 628 | Right side momentary-on pressure pad |
| 628F | Right side momentary-on pressure pad Left side constant-on rocker |
| 629 | Right side momentary-on pressure pad Remote momentary-on tape switch |
| 629F | Right side momentary-on pressure pad Left side constant-on rocker Remote momentary-on tape switch |

6V Systems

| High-output lamp | Ultra high-output lamp | Visible laser module | Infrared laser module* |
|------------------------------------|---|---------------------------------|---------------------------------|
| P60 | P61 | L72 | L75 |
| Runtime/Output 1 hour/65 lumens | Runtime/Output 20 min./120 lumens | Runtime/Output 24 hours/5 mw | Runtime/Output 24 hours/5 mw |
| FILTERS | FM45 Red FM46 Blue FM43 IR FM44 Diffusion FM47 Cover | | |
| BATTERIES | Two SF123A Lithium Batteries | | |

***NOTE: INFRARED LASER MODULE MUST NEVER BE USED IN CONJUNCTION WITH ANY CONSTANT-ON SWITCH.**

DEDICATED FOREND: SHOTGUNS

SureFire makes replacement forends with integral tactical lights to fit many popular shotgun models. These forends come with a pressure sensitive activation pad for momentary-on light use, and a constant on/off switch.

Left side
Right side

SWITCH CONFIGURATION

- 1. CONSTANT-ON ROCKER SWITCH**
- 2. PRESSURE PAD DISABLE SWITCH**
To prevent accidental activation during storage or covert operations. (FGA models only)
- 3. MOMENTARY-ON PRESSURE PAD SWITCH**

6xx Series:

- 6-volt
- 120 lumens max output*
- 1.36" bezel
- CQB and urban operations

9xx Series:

- 9-volt
- 225 lumens max output*
- 1.62" bezel
- Close to medium range applications

*Using optional ultra high-output lamp

| | SHOTGUN DEDICATED FORENDS | | |
|--|--|--------|--------|
| | SWITCH OPTIONS | 6-VOLT | 9-VOLT |
| BENELLI M1 SUPER 90 | Pressure pad+constant-on rocker | 617FA | 917FA |
| | Pressure pad+constant-on rocker+disable rocker | 617FGA | 917FGA |
| MOSSBERG 500 W/14" BARREL | Pressure pad+constant-on rocker | 621FA | N/A |
| | Pressure pad+constant-on rocker+disable rocker | 621FGA | N/A |
| MOSSBERG 590*/500 <small>* May require bayonet lug removal</small> | Pressure pad+constant-on rocker | 623FA | 923FA |
| | Pressure pad+constant-on rocker+disable rocker | 623FGA | N/A |
| REMINGTON 870 | Pressure pad+constant-on rocker | 618FA | 918FA |
| | Pressure pad+constant-on rocker+disable rocker | 618FGA | N/A |
| REMINGTON 1100 & 11-87 | Pressure pad+constant-on flag | 620T | 920T |
| | Pressure pad+disable flag | 620S | 920S |
| WINCHESTER 1300 DEFENDER W/LONG FOREND | Pressure pad+constant-on rocker | 636FA | 936FA |
| | Pressure pad+constant-on rocker+disable rocker | 636FGA | N/A |

| 9V Systems | |
|-------------------------------------|---|
| High-output lamp | Ultra high-output lamp |
| MN10 | MN11 |
| Runtime/Output 1 hour/125 lumens | Runtime/Output 20 Min./225 lumens |
| FILTERS | FM15 Red FM16 Blue FM13 IR FM14 Diffusion FM17 Cover |
| BATTERIES | Three SF123A Lithium Batteries |

| 6V Systems | | | |
|--|---|---------------------------------|---------------------------------|
| High-output lamp | Ultra high-output lamp | Visible laser module | Infrared laser module* |
| P60 | P61 | L72 | L75 |
| Runtime/Output 1hour/65 lumens | Runtime/Output 20 min./120 lumens | Runtime/Output 24 hours/5 mw | Runtime/Output 24 hours/5 mw |
| FILTERS | FM45 Red FM46 Blue FM43 IR FM44 Diffusion FM47 Cover | | |
| BATTERIES | Two SF123A Lithium Batteries | | |
| *NOTE: INFRARED LASER MODULE MUST NEVER BE USED IN CONJUNCTION WITH ANY CONSTNANT-ON SWITCH. | | | |

TO ORDER: 800.828.8809 > www.surefire.com



CLASSIC UNIVERSAL SYSTEM WEAPONLIGHTS



The Classic Universal System's array of mounts, adapters, and lamp/laser modules provides almost unlimited versatility.



Model 681

SureFire's Classic Universal WeaponLight System offers a modular approach to fitting a light and/or laser to your weapon, providing unequalled flexibility to meet your particular needs. Because it is modular, you can alter a Classic Universal system in the field to suit changing conditions or mission requirements. Or you can switch parts between two weapons that use this system.

There are two ways to purchase a Classic Universal System: by choosing modular components to "build your own", or by choosing a complete preconfigured system tailored to a specific weapon.

Either way, your Classic Universal System can be modified or augmented with different components at a later date.

SureFire's selection of mounts and adapters (see page 28) enable you to attach Classic Universal WeaponLights to a firearm's barrel, front sight, suppressor, or magazine tube, depending on firearm make and model.



Model 650



CLASSIC UNIVERSAL SYSTEM: BUILD-YOUR-OWN

You can build your own WeaponLight by selecting from various switch, white light, infrared, laser, and weapon attachment point options — even dual laser/white light options. There are three basic steps to designing your own Classic Universal Weaponlight System.

1. SELECT MOUNT(S)

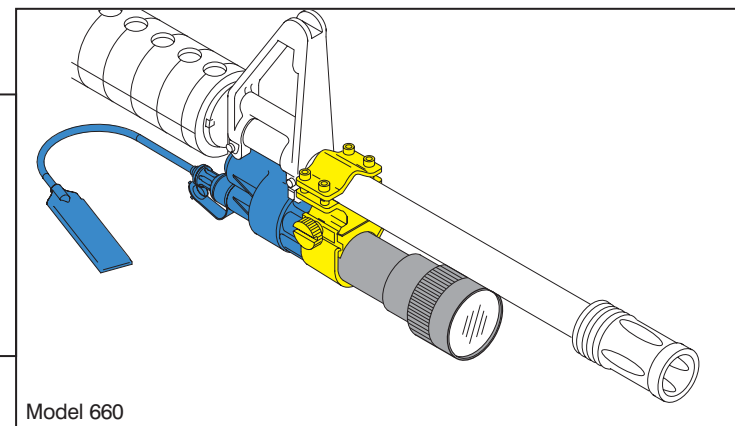
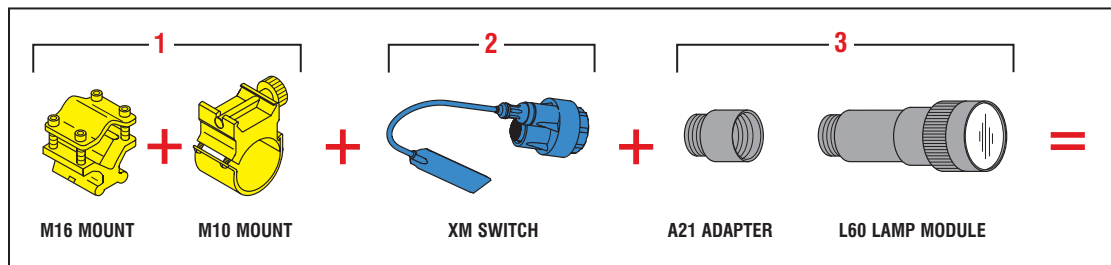
- Depending on the mount(s) you select, you can attach your laser, light, or laser and light combination to a barrel, front sight post, shotgun magazine tube, suppressor, or forend.

2. SELECT SWITCH TYPE AND LENGTH

- Available options: XM waterproof tailcap switch assembly provides switching for all applications except lasers. Because federal regulations require that SureFire infrared lasers be sold only with momentary-on switching, choose a UM tailcap switch assembly with momentary-on tape switch for infrared laser applications. XM tailcap switch assemblies are available with different tape switch cable lengths.

3. SELECT LAMP MODULE AND ADAPTER(S)

- 6-volt lamp module: For laser sights, infrared illuminator, or white light lamps. High-output P60 lamp standard with L60 lamp module. Ultra high-output P61 lamp available.
- 9-volt lamp module: For 105 or 200 lumen white light lamps. High-output P90 lamp standard with L90 lamp module. Ultra high-output P91 lamp available. (Laser sights only compatible with 6-volt module.)
- Single Inline, Single Offset, and Dual Adapters provide flexibility in mounting or allow a light and laser to be mounted and activated together.



Model 660


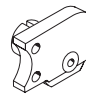
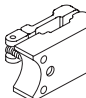
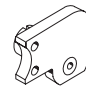
TURN TO NEXT PAGE TO SELECT COMPONENTS >>>>>>>






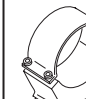
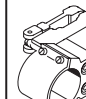
CLASSIC UNIVERSAL SYSTEM: **BUILD-YOUR-OWN** MOUNTS, SWITCHES, LIGHT/LASER MODULES

There are three basic steps to customizing your own Classic Universal Weaponlight System. Start off by selecting what mount you need, then select a switch, then a lamp/laser module and adapter(s).

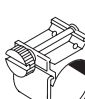


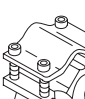
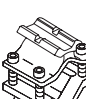

OFFSET MOUNTS

| | | | |
|--|--|--|--|
|  <p>MODEL M22 For H&K SMG's, carbines, and rifles without a suppressor. Mounts to front sight casting by replacing the cocking tube plug with an expanding collet plug, which provides a threaded hole for mounting the M22.</p> |  <p>MODEL M24 For suppressed H&K SMG'S, other than the MP5SD, with up to 1.33 inch diameter suppressors. Similar to the M22 but offset to allow the light/laser modules to clear the suppressor.</p> |  <p>MODEL M26 For M16/AR15 variants. Clamps to the front strut of the front sight casting. Allows light/laser module to center directly over the barrel when used with an A15 adapter.</p> |  <p>MODEL M30 For suppressed H&K SMG'S with suppressors up to 2.0 inches diameter. Mounts into cocking tube plug in front sight casting.</p> |
|--|--|--|--|

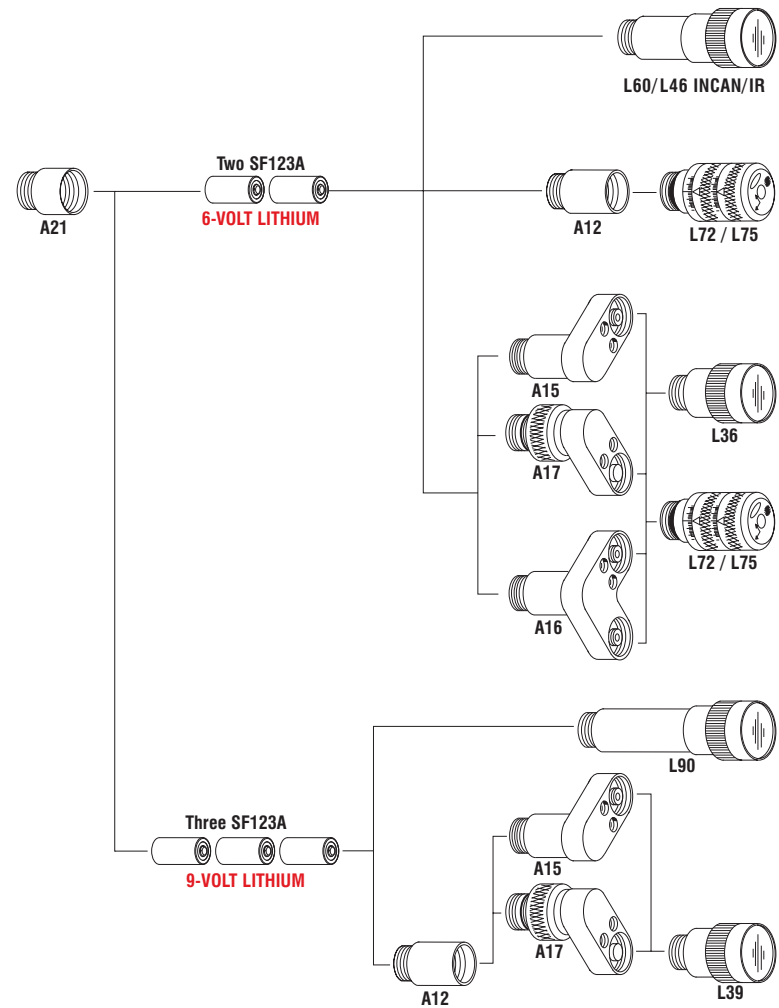
DIRECT MOUNTS

| | | | | |
|---|---|---|--|--|
|  <p>MODEL M13 For mounting to suppressors or tubes having a diameter between 0.7 and 1.7 inches. Uses adjustable (black oxide coated) hose clamps. Larger clamps are also available.</p> |  <p>MODEL M17 For mounting to tubes between 0.9 and 1.1 inches in diameter; such as 26mm and 1.0 inch diameter shotgun magazine tubes, and flashlight or scope bodies.</p> |  <p>MODEL M21 For mounting to most H&K SMG's, carbines, and rifles, with the exception of the MP5SD. Mounts to the front sight casting by replacing the cocking tube plug with an expanding collet plug.</p> |  <p>MODEL M23 For mounting to the suppressor tube on the MP5SD. An alternative to the M13 mount, it uses a formed metal clamp specifically made to fit the MP5SD.</p> |  <p>MODEL M25 For M16/AR15 variants. Clamps to front strut of front sight casting. Includes a 1.0 inch ring to secure a light/laser module.</p> |
|---|---|---|--|--|

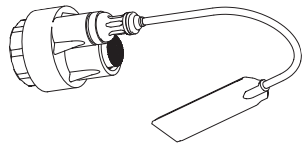
WEAVER/PICATINNY MOUNTS

| | | | | | |
|---|---|--|---|---|--|
|  <p>MODEL M10 & M31 The M10 is a 1.0 inch ring mount with a low base. The M31 has a high base. The standard "female" Weaver interface is built in.</p> |  <p>MODEL M11/26MM LOW BASE For mounting to 26mm diameter tubes, such as the magazine tube on a Benelli Super 90 shotgun.</p> |  <p>MODEL M12 For mounting to 1.0 inch diameter tubes, such as shotgun magazine tubes, A12 and A13 adapters, and 1.0 inch diameter flashlight or scopes.</p> |  <p>MODEL M16 Fits barrel diameters 0.5 to 0.9 inches. Also fits under front sight casting of M6/AR15 variants.</p> |  <p>MODEL M20 Same as the M14, but with two male Weaver interfaces to allow the mounting of two housings on opposite sides of the barrel.</p> |  <p>MODEL M78/M79 Mounts to Picatinny rail. Self-adjusting clamp holds E2E/L4 (M78) or 6P/G2 (M79) size flashlights.</p> |
|---|---|--|---|---|--|

LIGHT/LASER MODULES



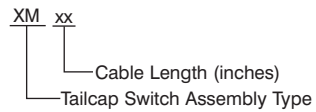
SWITCH ASSEMBLIES



XM TAILCAP SWITCH ASSEMBLY

Waterproof unit includes system disable feature, click on/off pushbutton switch, and momentary-on plug-in remote tape switch (field replaceable). The pushbutton switch and tape switch operate independently, providing backup redundancy.

SPECIFYING TAILCAP SWITCH ASSEMBLY



6V Systems

| High-output lamp | Ultra high-output lamp | Infrared lamp module | Visible laser module | Infrared laser module |
|------------------------------------|--------------------------------------|---------------------------------|---------------------------------|---------------------------------|
| P60 | P61 | L46 | L72 | L75 |
| Runtime/Output 1 hour/65 lumens | Runtime/Output 20 min./120 lumens | Runtime/Output 24 hours/5 mw | Runtime/Output 24 hours/5 mw | Runtime/Output 24 hours/5 mw |

9V Systems

| High-output lamp | Ultra high-output lamp |
|-------------------------------------|--------------------------------------|
| P90 | P91 |
| Runtime/Output 1 hour/105 lumens | Runtime/Output 20 Min./200 lumens |



CLASSIC UNIVERSAL SYSTEM: **PRECONFIGURED**

| | | | |
|------------------|---|--------------------|---|
| BARREL MOUNT | ● | COCKING TUBE | ● |
| FRONT SIGHT | ● | MOUNT NOT INCLUDED | ● |
| SUPPRESSOR MOUNT | ● | | |

| MODELS | LASER+LIGHT (6V) | | LASER ONLY (6V) | | LIGHT (6V) | | | | | | | | | | LIGHT (9V) | | | | | | | | | | | | | | | | | | | | | | |
|--------------------------|------------------|-----|-----------------|-----|------------|-----|-----|-----|-----|-----|-----|-----|-----|-----|------------|-----|-----|-----|-----|-----|-----|-----|-----|-----|-----|-----|-----|-----|-----|-----|-----|-----|-----|-----|---|---|--|
| | 460 | 490 | 491 | 550 | 560 | 576 | 594 | 596 | 650 | 657 | 660 | 670 | 671 | 672 | 673 | 674 | 676 | 678 | 681 | 683 | 684 | 687 | 690 | 691 | 692 | 696 | 950 | 960 | 969 | 974 | 976 | 983 | 991 | 996 | | | |
| AK-47/74 | ● | ● | | ● | ● | | | ● | | ● | | | | | | | | | | | | | | | | ● | ● | | | | | | | | | | |
| AUG | ● | ● | | ● | | | | ● | | | | | | ● | | | | | | ● | | | | | | | ● | | | | | | | | | | |
| C7/C8 | ● | ● | | ● | ● | ● | | ● | | ● | | | | | ● | ● | ● | | | | | | | | | | ● | ● | | ● | ● | | | | | | |
| FNC/AK-5 | ● | ● | | ● | ● | | | ● | | ● | | | | | | | | ● | | | | | | | | | ● | ● | | | | | | | | | |
| FN/FAL | ● | ● | | ● | | | | ● | | | | | | | | | | ● | | | | | | | | | ● | | | | | | | | | | |
| GALIL | ● | ● | | ● | ● | | | ● | | ● | | | | | | | | ● | | | | | | | | | ● | ● | | | | | | | | | |
| HK91/G3 | | | | ● | | | | ● | | | | | | | | | | ● | | | | | | | | | ● | | | | | | | | | | |
| HK33/53/93/94 | | | | ● | | | | ● | | | | ● | ● | | | | | | | | | | | ● | | | ● | | | | | | | | | | |
| HK94 SUPPRESSED | | | | ● | | | | ● | | | | | | | | | | | | | | | | | ● | | ● | | | | | | | | | | |
| M1A/M14/M21/SCOUT | ● | ● | | ● | ● | | | ● | | ● | | | | | | | | ● | | | | | | | | | ● | | | | | | | | | | |
| M4/M16/VARIANTS | ● | ● | | ● | ● | ● | | ● | | ● | | | | | ● | ● | ● | | | | | | | | | | ● | ● | | ● | ● | | | | | | |
| MINI 14 | ● | ● | | ● | | | | ● | | ● | | | | | | | | | | | | | | | | | ● | ● | | | | | | | | | |
| MP5 | | ● | ● | ● | | | ● | ● | | | | | | | | | | | | | | | ● | ● | ● | | ● | | | | | | | | ● | | |
| MP5-PDW | | ● | ● | ● | | | ● | ● | | | | | | | | | | | | | | | ● | ● | ● | | ● | | | | | | | | ● | | |
| MP5K | | ● | ● | ● | | | ● | ● | | | | | | | | | | | | | | | ● | ● | ● | | ● | | | | | | | | ● | | |
| MP5N | | ● | ● | ● | | | ● | ● | | | | | | | | | | | | | | | ● | ● | ● | | ● | | | | | | | | ● | | |
| MP5-SD | | | | ● | | | | ● | | | | | | | | | | | | | | | | | | ● | ● | | | ● | | | | | | ● | |
| SIG 550 | | | | ● | | | | ● | | | | | | | | | | | | | | | | | | | ● | | | | | | | | | | |
| UZI | | | | ● | | | | ● | | ● | | | | | | | | | | | | | | | | | ● | | | | | | | | | | |
| UNIVERSAL (BARREL MOUNT) | ● | ● | | ● | ● | | | ● | | ● | | | | | | | | | | | | | | | | | ● | ● | | | | | | | | | |

The following examples represent only a sample of available preconfigured models. Consult the **SELECT BY WEAPON** chart on the preceding page for a complete listing.



MODEL 576
6V LASER WITH FRONT SIGHT MOUNT



MODEL 490
6V LASER + LIGHT WITH COCKING TUBE MOUNT



MODEL 594
6V LASER WITH COCKING TUBE MOUNT



CLASSIC UNIVERSAL SYSTEM: **PRECONFIGURED**



MODEL 660 (shown on Ruger mini 14)
6V LIGHT WITH BARREL MOUNT



MODEL 660 (shown on AK47)
6V LIGHT WITH BARREL MOUNT ON GAS TUBE



MODEL 672 (shown on HKG3)
6V LIGHT WITH COCKING TUBE MOUNT



MODEL 674 (shown on M4)
6V LIGHT WITH FRONT SIGHT MOUNT





HOW TO CHOOSE A HANDGUN WEAPONLIGHT

Direct Mount or Adapter Rail

Of the three SureFire Handgun WeaponLight Series presented, only the X200 Series slides directly on to handguns manufactured with an integral accessory rail. The Military and Nitrolon Series are designed for rail-less guns only, and are attached by means of model-specific hard-mount adapters that may require a special holster.

All handgun WeaponLights shown can be quickly detached from a handgun. However, with the Military and Nitrolon Series, the hard-mount adapter will remain on the firearm.

Switching Options

SureFire handgun Weaponlights provide ergonomically correct switching options, which is crucial because motor skills deteriorate under stress. SureFire offers options for switching built into the WeaponLight body, and options for pressure-activated switching located on or near the handgun grip.

Military and Nitrolon Series lights have a shuttle switch integrated into the body. Depending on which version you order, this switch functions as constant-on switch or as a system disable switch. Two pressure-activated switching options — the SlimLine or the DG switch — are available for select models.

X200 Series handgun WeaponLights come with an integral ambidextrous push/toggle switch operated with a fingertip. Pressure-activated switching options include the SlimLine and DG switch.

Selecting a particular pressure-activated switching option is primarily a matter of personal preference, although holster design or use of heavy gloves may affect your choice.

Incandescent vs. LED

Two advantages of LEDs over incandescent lamps are longer runtimes per set of batteries and virtual immunity to failure due to recoil, vibration, or impact since they have no bulb to break or burn out.

LED disadvantages include lower maximum light output, a more diffused beam that is not suited to long-range work (unless equipped with a beam-focusing lens, as on the X200A), and for white LEDs an absence of infrared radiation, which means that fitting them with an IR filter will not provide infrared output.

X200 Series WeaponLights, which utilize an LED light source and have a maximum output of 100 lumens, are perfectly suited to patrol and duty carry as well as civilian armed self-defense.

Military and Nitrolon Series WeaponLights, which utilize a high-pressure xenon-halogen incandescent lamp, are an excellent choice for missions requiring higher light outputs – up to 120 lumens.





Body Length: 3.5 inches
Weight: 3.4 oz. (with batteries)
Max. Output: 60*/100** lumens
Max. Useful Runtime: 2.5*/1.5** hours

X200™ Series (LED)

- LED light source much more durable than incandescent lamp
- Attaches directly to rail-equipped guns
- Anodized aluminum construction
- No infrared output option available
- System disable switch not available
- X200 holsters available at: www.blade-tech.com, www.eagleindustries.com, www.tacticalholsters.com, www.safariland.com, www.sidearmor.com, www.soegear.com

*X200A **X200B



Body Length: 4.5 inches
Weight: 5.8 oz. (with batteries)
Max. Output: 120 lumens*
Max. Runtime: 1 hour

Nitrolon® Series (Incandescent)

- Fits rail-less guns via model-specific adaptor
- Polymer construction
- Infrared output option available via IR filter
- System disable switch available
- Nitrolon series holsters available at: www.blade-tech.com, www.eagleindustries.com, www.safariland.com, www.soegear.com, www.tacticalholsters.com

*Includes both 60 and 120 lumen lamps



Body Length: 4.87 inches
Weight: 7.4 oz. (with batteries)
Max. Output: 120 lumens*
Max. Runtime: 1 hour

Military Series (Incandescent)

- Attaches to rail-less guns via model-specific adaptor
- Anodized aluminum construction
- Infrared output option available via IR filter
- System disable switch available
- Military series holsters available at: www.eagleindustries.com, www.safariland.com, www.soegear.com

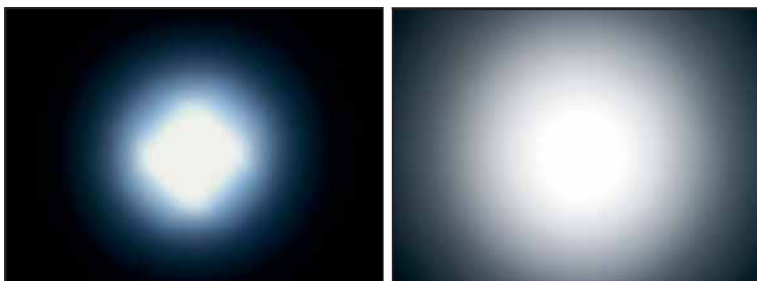
*Includes both 60 and 120 lumen lamps



X200 SERIES WEAPONLIGHTS



Model X200A shown



The X200A's focusing lens produces a tight, diamond-shaped beam (shown here at 10 ft.) The X200B's wider-angle beam (shown here at 10 ft.) is perfect for room clearing.

SureFire's most advanced WeaponLight, the X200 features an electronically-regulated Luxeon LED — the first LED powerful enough to qualify as a tactical light. Because it has no filament or bulb to break or burn out, the solid-state light source is virtually immune to damage from recoil, vibration, or impact.

Two versions are available, with multiple switch options for each. The X200A features a TIR (Total Internal Reflection) lens to produce a tightly focused beam. The X200B utilizes a precision reflector instead of a focusing lens, and provides a broader beam with slightly less reach. The X200A was designed for operators who needed a light that could be used for CQB, but also had a mid-range capability for open-area use. The X200B with its wider-angle beam is perfectly suited for use in enclosed structures, as would be the case in SWAT operations.

The X200 comes with a dual momentary and constant-on push/toggle switch, making it totally ambidextrous. For surgical control, versions combining the push/toggle function with a remote momentary pressure switch are available. These allow the operator to activate the light with grip or finger pressure without needing to move a finger from the grip.

The X200 slides directly onto guns with built-in accessory rails.* For rail-less guns, adapters are available to allow mounting. The X200 is also shipped with a Picatinny mounting plate that allows attachment to a Picatinny rail.



X200A with battery cover open.

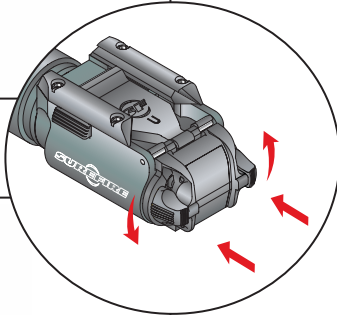


X200 SERIES: MOUNTS AND SWITCH OPTIONS

X200A



X200A and X200B models come standard with a momentary-on and constant-on push/toggle switch that allows fail-safe ambidextrous function under fire.



Arrows indicate switch activation motion

X200B



NOTE: Each X200 model includes and optional Rail-Lock™ mounting interface for increased mounting stability.

REMOTE SWITCH MODEL NUMBERS

For pistols with built-in rails only.

| PISTOL WITH BUILT IN RAIL | SL SWITCH | DG SWITCH |
|-----------------------------|-----------|-----------|
| GLOCK | SL-11 | DG-11 |
| SPRINGFIELD XD 40 | SL-12 | DG-12 |
| SIG 220R | SL-13 | DG-13 |
| SIG 226R, 228R, 229R | SL-14 | DG-14 |
| HK USP COMPACT* | SL-15 | DG-15 |
| BERETTA FS92* | SL-16 | DG-16 |
| 1911* | SL-17 | DG-17 |
| 1911 TRP** | SL-18 | DG-18 |
| BERETTA 96 VERTEK | SL-19 | DG-19 |
| HK USP FULL SIZE* | SL-20 | DG-20 |

* Compatible when mounted with designated SureFire rail adapter

** Also fits the Kimber TLE, SIG GSR, Wilson Combat

REMOTE SWITCH OPTIONS



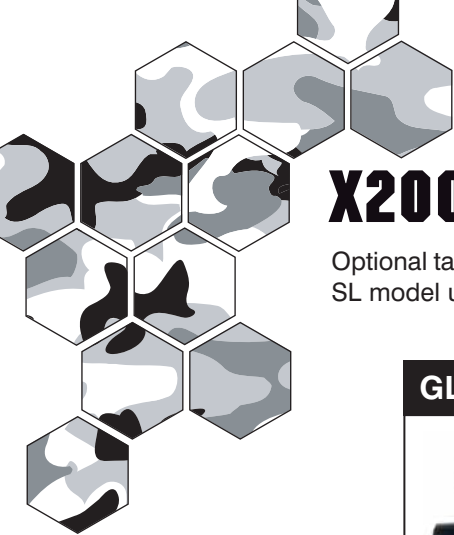
DG
DG Switch



SL
SlimLine Switch



XT
X200 Tape Switch With Rail Clip



X200 SERIES: OPTIONAL GRIP SWITCHES

Optional tailcap assemblies permit X200 activation by squeezing a grip-mounted pressure pad. DG model uses a minimal center-mounted pad. SL model uses a larger wrap-around pad.

GLOCK



DG-11 SWITCH



SL-11 SWITCH

FOR GLOCK MODELS:

- 17
- 18
- 19
- 20
- 21
- 22
- 23
- 24
- 25
- 32
- 34
- 35
- 37

SIG Sauer



DG-14 SWITCH



SL-14 SWITCH

FOR SIG MODELS:

- 220R
- 228R
- 229R

SPRINGFIELD TRP



DG-18 SWITCH



SL-18 SWITCH

FOR TRP MODELS:

- .45
- .40

SPRINGFIELD XD



DG-12 SWITCH



SL-12 SWITCH

FOR XD MODELS:

- .45
- .40
- 9mm

X200 SERIES: ADAPTER MOUNTS

Permits attachment of X200 to rail-less pistols and HK models with non-standard rails.

| ADAPTER MOUNT MODELS | |
|----------------------|-------------|
| WEAPONS | RAIL NUMBER |
| 1911 | MR07 |
| HK USP Compact | MR08 |
| HK USP Full Size | MR09 |
| SIG PRO | MR10 |
| Beretta FS92/FS96 | MR11 |



1911 with MR07 and X200 attached

MR07



Beretta with MR11 and X200 attached

MR11



Sig Pro with MR10 and X200 attached

MR10



HK Compact with MR08 and X200 attached

MR08



MILITARY SERIES WEAPONLIGHTS



Model W116C



A pressure-activated grip switch provides the operator with surgically precise control. Metal body construction makes the Military Series a special operations favorite.

The Military Series was designed specifically at the request of an elite Naval Special Warfare unit and represents SureFire's commitment to provide military operators with the finest tactical WeaponLights for extreme hard-use conditions.

These ultra-rugged WeaponLights are designed for flawless functioning under tough battlefield conditions and in combat swimmer operations. The housing and bezel are constructed of aerospace-grade aluminum with a super-hard MilSpec Type III anodized finish. Available accessories include infrared filters and ultra high-output replacement lamps.

All Military Series WeaponLights feature an ambidextrous pressure-activated grip switch. A DG switch is also available for select weapon types. Additionally, a fingertip-operated shuttle switch on the WeaponLight body is available as either a constant-on or a disable switch depending on model selected.

Military Series WeaponLights hard-mount to handguns for rugged durability, and incorporate switches and attachment components to fit specific handgun models.



Model W116C



MILITARY SERIES: SWITCH OPTIONS



SWITCHING

1. SHUTTLE SWITCH
Two shuttle switch options are available:

- Constant-on (“C” model)
- Disable (“D” model)

2. REMOTE SWITCH
Grip-activated pressure switch for momentary-on light.



RAIL ADAPTER

Military and Nitrolon WeaponLights attach via rail adapters specifically designed for different handgun models. Rail adapter included with WeaponLight — select model from chart below.

| | SPRINGFIELD XD | SIG 226,228,229 | SIG 220 | HK USP | GLOCK | BERETTA | 1911 | |
|-------------------------|---|-----------------|----------|--------|-------|---------|-------|-------|
| SWITCH OPTIONS | CONSTANT-ON SHUTTLE + SLIMLINE | W112C | W114C | W113C | W115C | W111C | W116C | W117C |
| | DISABLE SHUTTLE + SLIMLINE | W112D | W114D | W113D | W115D | W111D | W116D | W117D |
| | DISABLE SHUTTLE + DG SWITCH | N/A | W114D-DG | N/A | N/A | N/A | N/A | N/A |
| LAMP ASSEMBLY | P60 | | | P61 | | | | |
| MAX LUMEN OUTPUT | 65 | | | 120 | | | | |
| RUNTIME MINUTES | 60 | | | 20 | | | | |
| FILTERS | FM45 Red FM46 Blue FM43 Infrared FM44 Diffusion FM47 Cover | | | | | | | |



NITROLON SERIES WEAPONLIGHTS



The lightweight Nitrolon Series is a proven SWAT performer.



Model P115C

With a MilSpec Type III hard-anodized aluminum bezel and a Nitrolon (glass filled polymer) body resistant to impact and corrosion, the Nitrolon Series is a lightweight alternative to the heavier, all-aluminum Military Series. Like the Military Series, these lights feature a shock-isolated xenon gas-filled incandescent lamp that produces up to 120 lumens of white light, and they can also be fitted with an infrared filter.

A variety of switch options are available, from an economical body-mounted constant-on switch only, to a full-featured option that includes both a body-mounted switch (in either a constant-on or system disable configuration) and a remote, grip-activated momentary switch.

Like the Military Series, Nitrolon Series WeaponLights utilize an included rail interface adapter that allows mounting to pistols not equipped with built-in accessory rails. Note: Nitrolon models will not directly fit built-in accessory rails on pistols so equipped. The included adapter is required even if the handgun in question has a built-in accessory rail. Select the correct WeaponLight model for your handgun from the chart on the facing page.



Model P114D-DG



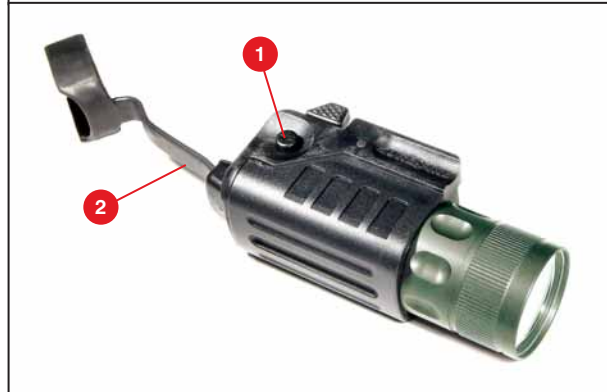
NITROLON® SERIES: SWITCH OPTIONS



SWITCH OPTIONS

1. SHUTTLE SWITCHES

On models without remote switches you have only the shuttle constant-on switch function.



SWITCH OPTIONS

1. SHUTTLE SWITCH

On remote switch-equipped models you have a choice of shuttle switch functions:

- Constant-on (“C” model)
- Disable (“D” model)

2. REMOTE SWITCH

Pressure switch for momentary-on light.

REMOTE SWITCH OPTIONS



| | SPRINGFIELD XD | SIG 226,228,229 | SIG 220 | HK USP | GLOCK | BERETTA | 1911 | |
|------------------|---|-----------------|----------|--------|-------|---------|----------|-------|
| SWITCH OPTIONS | CONSTANT-ON SHUTTLE ONLY | P102 | P104 | P103 | P105 | P101 | P106 | P107 |
| | CONSTANT-ON SHUTTLE+SLIMLINE | P112C | P114C | P113C | P115C | P111C | P116C | P117C |
| | DISABLE SHUTTLE+SLIMLINE | P112D | P114D | P113D | P115D | P111D | P116D | P117D |
| | CONSTANT-ON + DG SWITCH | N/A | P114C-DG | N/A | N/A | N/A | N/A | N/A |
| | DISABLE SHUTTLE + DG SWITCH | N/A | P114D-DG | N/A | N/A | N/A | P116D-DG | N/A |
| LAMP ASSEMBLY | P60 | | | P61 | | | | |
| MAX LUMEN OUTPUT | 65 | | | 120 | | | | |
| RUNTIME MINUTES | 60 | | | 20 | | | | |
| FILTERS | FM45 Red FM46 Blue FM43 Infrared FM44 Diffusion FM47 Cover | | | | | | | |

SOUND SUPPRESSORS



Fast-Attach suppressors use thread-on adapters for attachment to most firearms. Adapters perform different functions when suppressor is off, depending on type chosen: compensator, flash hider, or muzzle brake. *NOTE: Muzzle brake adapter not available for machine guns. Suppressor interface can be machined into some barrels if desired.*



Model FA556AR



Model FA556K

SureFire Fast-Attach™ High-Endurance Sound Suppressors — available for 5.56mm, 6.8mm, and 7.62mm caliber firearms — provide a unique combination of extremely desirable features.

- Produce only minimal shift in weapon's normal impact point
- Any shift in impact point is consistent from attachment to attachment
- Typically produce improved group size
- Attach within 5 seconds over SureFire adapters, no tools required
- Rock-solid attachment — no play, no loosening during fire
- Light in weight, small in diameter
- Barrel overlap design adds only a minimal amount to weapon length
- Extreme durability allows full-time use

SureFire makes complete Sound Suppressor for attachment to numerous common firearms, including: M4 and M16 assault rifles; Barrett M468 assault rifle; Armalite AR10, Bushmaster A2/3 .308, Remington Semi 7.62mm, Springfield Armory® M25 sniper rifles; M240, M249, and Mk48 machine guns. With correct existing thread size or proper machining, SureFire sound suppressors may be attached to virtually any 5.56mm, 6.8mm or 7.62mm caliber semi-auto or bolt action rifle.



The patented Fast-Attach™ lock ring and eccentric interface allow for rapid installation and removal.



SUPPRESSORS: ACCURACY. BALANCE. ENDURANCE.™

All SureFire Fast-Attach™ sound suppressors are similar in external appearance; K models are simply shorter versions (see specifications). All provide minimal, consistent point-of-impact shift when attached. Many weapons require no modification, or only slight modification, for adapter installation. Three adapter types available for most weapons: flash hider, compensator, or muzzle brake.



Shown: model FA556AR

| | |
|--|---|
| <p>FA556AR 5.56 mm Fast-Attach High Endurance Sound Suppressor</p> <ul style="list-style-type: none"> Designed for 5.56 mm assault rifles Adapters for the M16/M4 carbine and other weapons Mounts without weapon modifications — simply remove factory flash hider and install SureFire adapter <p>Caliber: 5.56 mm Construction: High-temp alloys and stainless steel Weight: 17 oz. (482 grams) Diameter: 1.5" (3.8 cm) Length in front of muzzle: 5.0" (12.7 cm) Overall length: 7.5" (19 cm)</p> | <p>FA68K 6.8 mm Fast-Attach Sound Suppressor (short version)</p> <ul style="list-style-type: none"> Designed for 6.8 mm assault rifles Adapters for the M468 assault rifle and similar weapons Mounts without weapon modifications — simply remove factory flash hider and install SureFire adapter <p>Caliber: 6.8 mm Construction: High-temp alloys and stainless steel Weight: 16 oz. (453 grams) Diameter: 1.5" (3.8 cm) Length in front of muzzle: 5.5" (14.0 cm) Overall length: 6.0" (15.2 cm)</p> |
| <p>FA556K 5.56 mm Fast-Attach Sound Suppressor (short version)</p> <ul style="list-style-type: none"> Designed for 5.56 mm assault rifles Adapters for the M16/M4 carbine and other weapons Mounts without weapon modifications — simply remove factory flash hider and install SureFire adapter <p>Caliber: 5.56 mm Construction: High-temp alloys and stainless steel Weight: 16 oz. (453 grams) Diameter: 1.5" (3.8 cm) Length in front of muzzle: 5.5" (14.0 cm) Overall length: 6.0" (15.2 cm)</p> | <p>FA762SS 7.62 mm Fast-Attach Sound Suppressor</p> <ul style="list-style-type: none"> Designed for semi-auto and bolt action sniper rifles Adapters available for a variety of weapon systems Mounts by installing SureFire adapter or by machining interface into the barrel itself <p>Caliber: 7.62 mm Construction: High-temp alloys and stainless steel Weight: 19 oz. (639 grams) Diameter: 1.5" (3.8 cm) Length in front of muzzle: 6.25" (15.9 cm) machined interface 7.75" (19.7 cm) adapter interface Overall length: 10" (25.4 cm)</p> |
| <p>FA68AR 6.8 mm Fast-Attach Sound Suppressor</p> <ul style="list-style-type: none"> Designed for 6.8 mm assault rifles Adapters for the M468 assault rifle and similar weapons Mounts without weapon modifications — simply remove factory flash hider and install SureFire adapter <p>Caliber: 6.8 mm Construction: High-temp alloys and stainless steel Weight: 17 oz. (482 grams) Diameter: 1.5" (3.8 cm) Length in front of muzzle: 5.0" (12.7 cm) Overall length: 7.5" (19 cm)</p> | <p>FA762MG 7.62 mm Fast-Attach High Endurance Sound Suppressor</p> <ul style="list-style-type: none"> Designed for the M240, MAG58 & Mk48 belt fed machine guns and other 7.62 automatic weapons Mounts with slight weapon modification <p>Caliber: 7.62 mm Construction: High-temp alloys and stainless steel Weight: 29 oz. (822 grams) Diameter: 1.5" (3.8 cm) Length in front of muzzle: 8.5" (21.59 cm) Overall length: 11" (27.9 cm)</p> |

For more information visit: www.surefiresuppressors.com



PICATINNY RAIL FORENDS



Model M73



MP5K fitted with SureFire Picatinny rail forend. Attached to rails: an M951 WeaponLight and a vertical foregrip.



Precision machining to Picatinny Arsenal specifications ensures solid mounting for properly designed accessories.

SureFire's Picatinny rail forends are exactly what you'd expect — better than anything else of their kind. Machined from aerospace-grade aluminum and hard anodized to military specification, they're stronger, dissipate heat efficiently, and provide rock-solid weapon fit. These precision rails enable consistent "repeat zero" of any accurately dimensioned devices attached to them, such as SureFire lasers or WeaponLights.

Two-part forends, such as for AR-15 and AK-type weapons, use interlocking rails to

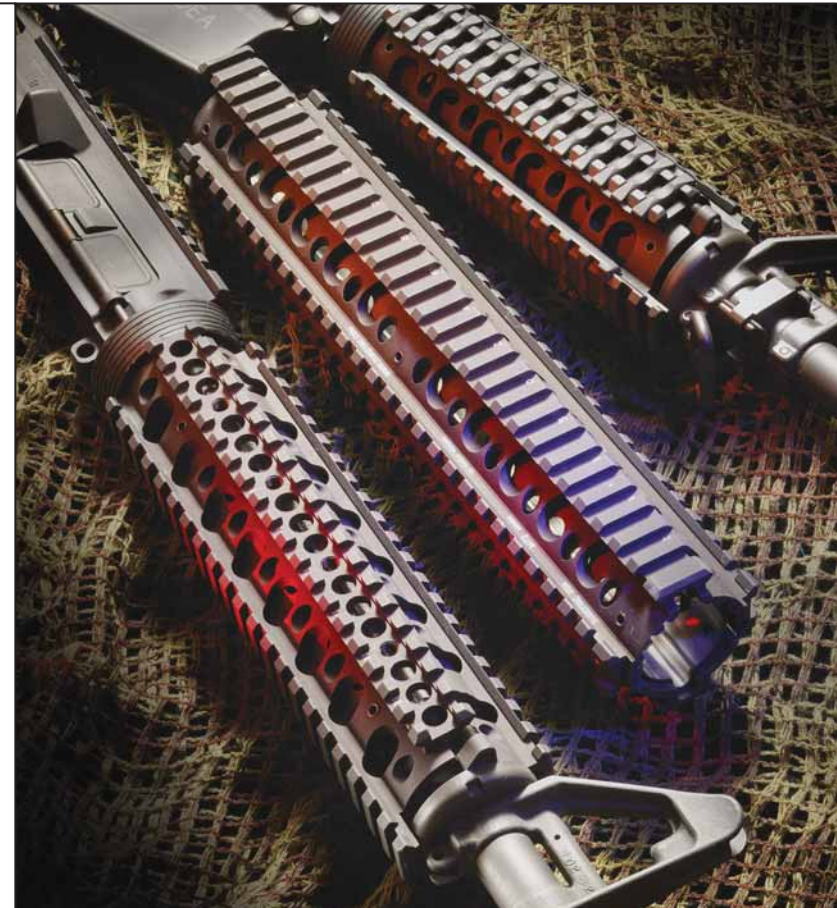
solidly lock the two halves together along their length.

And finally, SureFire Picatinny rail forends are priced lower than similar products.

| PICATINNY RAILS | |
|----------------------------|-------------|
| WEAPONS | RAIL NUMBER |
| AK47 | M83 |
| HK MP5 | M63 |
| HK MP5K | M77 |
| Benelli M4 | M80 |
| M4/CAR15 | M73 |
| M16 round handguard cap | M72 |
| M16 triangle handguard cap | M82 |
| M4 mid-length forend, rnd | M81 |
| M4 mid-length forend, tri | M85 |
| Mossberg 500 or 590 | M70 |
| Remington 870 Shotgun | M69 |



Model M83 AK47 Rail



LASER SIGHTS



Laser units are self-contained and may be screwed into any SureFire Classic Universal and Millennium Universal two-battery body.



Laser mounting options include this unit that allows side-by-side white light and laser powered by one source.



Model 576

SureFire laser sights are available as visible or infrared units that can be mounted individually or with a SureFire WeaponLight. Waterproof and extremely rugged, their unique prism zeroing system eliminates springs and adjustment screws that can loosen from impact, vibration, or recoil.

The continuous-beam operation of SureFire lasers provides about twice the average power of typical pulsing lasers, producing a beam that is easier to track and bright enough to see even under daylight conditions.

SureFire infrared lasers* are visible only with Night Vision Devices (NVDs). SureFire laser modules screw into the standardized threads of SureFire WeaponLight systems, allowing the user to quickly switch from white light illumination to visible or invisible infrared laser aiming.



Model L72

| | |
|------------------|--|
| Runtime: | 24 hours (approx.) |
| Beam Adjustment: | Optical prism, ring vernier-actuated |
| Wavelength: | L72: 635nm (visible red) L75: 830 nm (invisible infrared) |
| Power: | 5 milliwatts |
| Length: | 1.95 inches |
| Diameter: | 1.25 inches |
| Weight: | 4.6 ounces |



*NOTE: INFRARED LASER MODULE MUST NEVER BE USED IN CONJUNCTION WITH ANY CONSTANT-ON SWITCH.

TO ORDER: 800 828 8809 > www.surefire.com



HELLFIRE™



The Hellfire White Light Target Illuminator is an ultra high-output spotlight designed for use on .50 caliber machine guns. It can also be used as a vehicle-mounted spotlight, or it can be detached and used as a hand-held unit.

The Hellfire uses a xenon-filled high-intensity discharge (HID) arc lamp to produce 3,000 lumens of blinding white light, perfectly focused to reach hundreds of yards into the darkest night. Because HID lamps have no filament to break or burn out, they are extremely resistant to mechanical shock and vibration and should rarely need replacing. An additional benefit: they are very efficient — for an equivalent power input they provide more than twice the lumens of incandescent lamps.

The Hellfire is controlled by a grip/switch unit that replaces one of the original machine gun grips, and by a separate cable equipped with a constant-on/off switch. Power is supplied by either a 12-volt auto battery or by 5590 military batteries. Either power source may be connected to the Hellfire with the included 10-foot cable, which is equipped with two plugs for 5590 batteries and integrated DC adapter for a standard vehicle accessory socket.

The Hellfire spotlight and mounting hardware can be ordered separately or as a complete system ready to mount on an M2-HB machinegun's heat shroud. Two other machinegun mounts are also available — one for attachment to an M2-HB equipped with a ballistic shield, and one for attachment to an M44 Minigun, whether equipped with a ballistic shield or not. Vehicle mounting hardware is sold separately.

Constructed of Mil-Spec hard-anodized aluminum alloy, the Hellfire spotlight is gasket and O-ring sealed for reliable functioning in harsh environments. Complete Hellfire systems, including mount and IR filter, come in a watertight, lockable hardshell case with foam-padded interior.



HELLFIRE™

MODEL NUMBER: HF M2 HB-240B

patent pending

Power Source 12VDC

- Auto battery (with included cigarette lighter adapter)
- One or two 5590 military batteries

Runtime

- Auto battery: Continuous
- 5590 military battery: One battery (not recommended, emergency use only)
Two batteries parallel: Approximately 8 hours

Lamps/Output

- One Philips 35W D1S HID lamp. Approximately 3,000 lumens output

Electronics

- Proprietary electronics, EMI shielded, insulated and shock mounted inside bezel

Reflector

- CNC machined, aluminum alloy, optimized parabolic shape, coated with proprietary plating for maximum illumination

Bezel

- 4.1 inch diameter, resting in a proprietary shock mount ring design

Bezel Lens

- 5mm thick multi-coated Pyrex®

Filter

- 5mm thick multi-coated amber held in a pivoting mount

Body

- Aluminum alloy with carry handle and integrated T-slot mounting feature

Switches

- Momentary & Constant-On:
 - One (1) mounted in light body
 - One (1) mounted in proprietary grip design (replaces one grip handle on machine gun, click-on/ off switch on grip handle is activated with index finger)

Mount System

- Slides onto proprietary T-slot mount base, which is attached to the .50 caliber machine gun sleeve.
- Picatinny rail system incorporated for mounting attachments
- Can also be used as a vehicle-mounted or hand-held spotlight (vehicle mounting hardware sold separately).

Length

- 8.0 inches (complete body and bezel assembly)

Cable Length

- 10.0 feet

Weight

- 10.0 lbs. (light assembly and mount combined)

Water Resistant

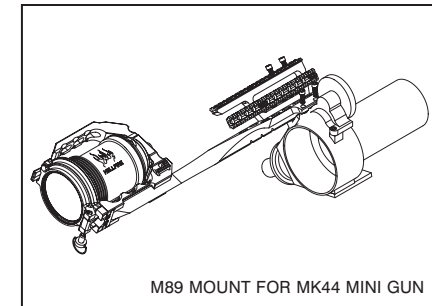
- O-ring seals and rubber gaskets at critical mechanical mating surfaces

Finish

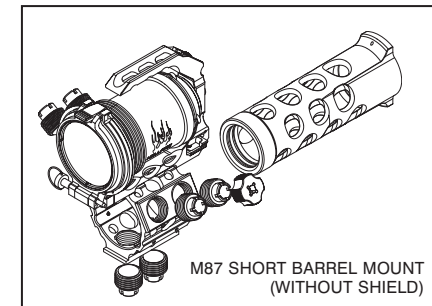
- Hard-anodized 'NL' grey MIL-A-8625 type III class 2

Storage

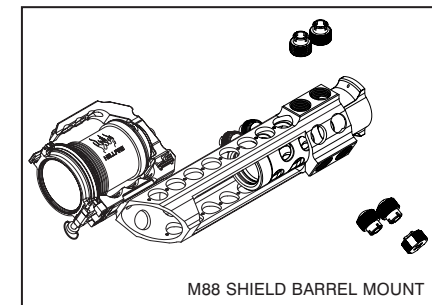
- Weather proof, lockable, hardshell case with formed foam insert



M89 MOUNT FOR MK44 MINI GUN



M87 SHORT BARREL MOUNT (WITHOUT SHIELD)



M88 SHIELD BARREL MOUNT



HELMET LIGHT

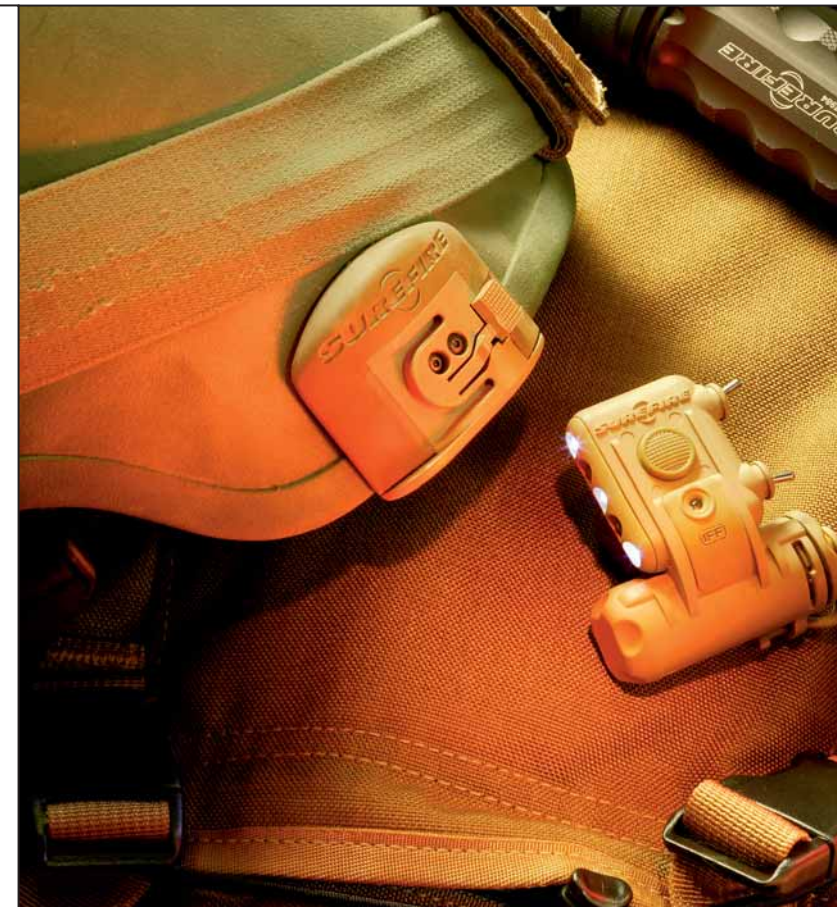


The SureFire Helmet Light is a compact, lightweight, combination white/blue/infrared low-output light that attaches to the side of any TC 2000 Modular Integrated Communications Helmet (MICH helmet).

The watertight unit uses a single 123A lithium battery and six light-emitting diodes (LEDs) to produce three different types of light at multiple power levels:

- Primary light — three 5mm white-light LEDs with low, medium, high output levels
- Secondary light — two 5mm blue-light LEDs with low, medium, and high output levels
- Tertiary IFF light: one 3mm infrared LED with continual blinking output

The white lights are for general-purpose close-work illumination (gear loading, equipment repairs, map/document/instrument reading). The blue lights serve the same purpose as the white lights, but in a low-signature, night-vision-friendly color. The blinking infrared light serves as a personal Identify Friend or Foe (IFF) beacon.



Helmet Light attachment is by means of a special mount that is clamped semi-permanently to the left-side rim of the helmet by means of two socket-head machine screws. Once the mount is attached, the Helmet Light itself can be slid onto the mount, where it locks into place. Depressing a small lever allows it to slide off for servicing.

The Helmet Light is controlled by three separate switches. A three-position toggle switch operates as follows: up position turns on primary lights on; center position is off; down position turns on the blue secondary lights on. A momentary pressure switch cycles the primary and secondary lights (whichever is on) through the low, medium, and high output settings. If the primary or secondary lights are turned off, when next turned on they will be at their last output setting.

A two-position toggle switch operates the infrared IFF light independently of all other lights; up position is on, down position is off.

SPECIFICATIONS

- Size, attached: 2.2 W x 2.6 H x 1.3 thick including mount
- Weight: Light w/battery — 2.0 oz./ Light w/battery and mount — 3.1 oz.
- Power: one 123A 3-volt lithium battery
- Light sources: LEDs: three white, two blue, one infrared
- Body: Glass-filled nylon polymer, neoprene
- Output/runtime

PRIMARY AND SECONDARY LIGHTS:

- high — 5 hours
- med — 20 hours
- low — 80 hours

TERTIARY (INFRARED IFF) LIGHT:

- 350 hours

FEATURES

- White and blue light for close repairs or map/document reading, plus infrared IFF light
- Long runtime from a single 123A battery
- Watertight for all-weather use
- Easily removable for servicing or transfer to other helmets





EDGED WEAPONS

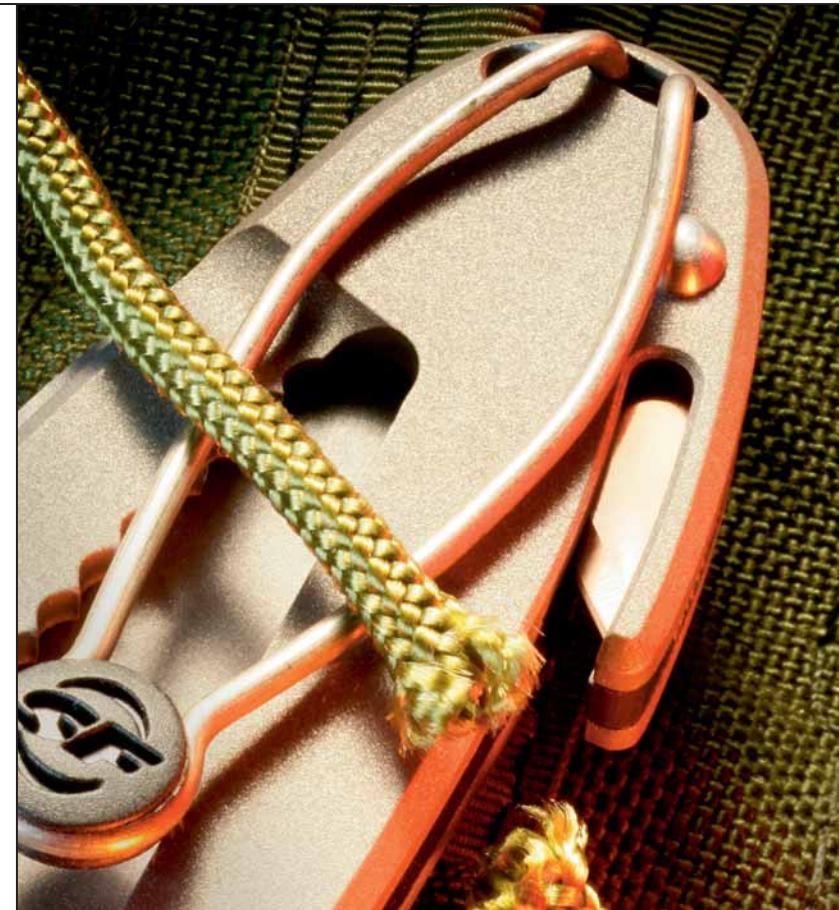


The Delta fixed-blade features a built-in wire/flex cuff cutter.

The single goal of SureFire's Edged Weapons Division is to provide our customers with the finest knives. Because these customers are the most demanding in the world — soldiers in combat zones, street-level law enforcement personnel, members of SWAT teams, and members of military special operations groups — meeting that goal is a true challenge. But we've succeeded.

Created with input from experts and end-users, SureFire knives reflect the close attention given to every detail of design, construction, and manufacturing — from tungsten carbide-coated Crucible CPMS30V steel blades, to ergonomics, precise manufacturing tolerances, and hand finishing.

The result: edged weapons that are tough, efficient, effective, and reliable under the harshest conditions. Knives you can count on when your life is on the line. Which is exactly what you'd expect from SureFire.



DELTA — FOLDING COMBAT/UTILITY KNIFE

The Delta folding model is a rugged but lightweight combat/utility knife. Its superb fighting capability is maximized by its Crucible CPM S30V blade steel, renowned for strength and edge retention, and by its brutally tough 1/8"-thick titanium frame halves and liner lock. The frame incorporates a number of practical tools — screwdriver, wire cutter/crimper, parachute cord/seatbelt cutter, wrench, and self-seating wrench slot for smaller nuts, and also features a reversible pocket clip. Whether you're heading into battle or into work, you'll find the Delta folder an indispensable companion.

Length Closed: 4.7" **Length Open:** 8" **Blade Length:** 3.37" **Weight:** 4.6 oz.

Features:

- Blade is blasted with silicon carbide, coated with tungsten diamond-like carbon, top-coated with CVD diamond
- Emergency cutter for seat harnesses, webbing, parachute cord, etc.
- Frame piercing provides 1/2" hex wrench and toothed slot for loosening smaller nuts down to 13/64" size.
- Cutter/crimper accepts up to 12 gauge wire.
- Integral finger guard ground for use as a screwdriver.
- Oversized blade opening hole and disk for use with gloves.
- Low-profile reversible wire pocket clip.

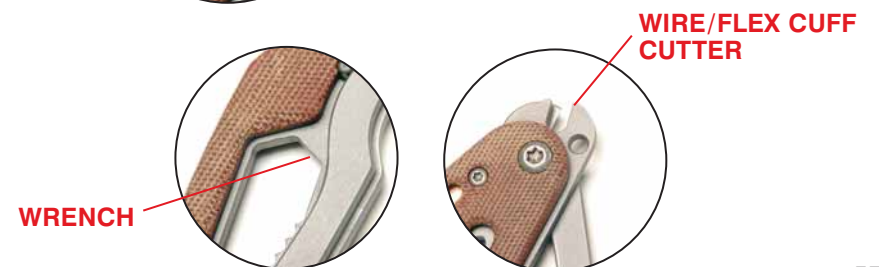
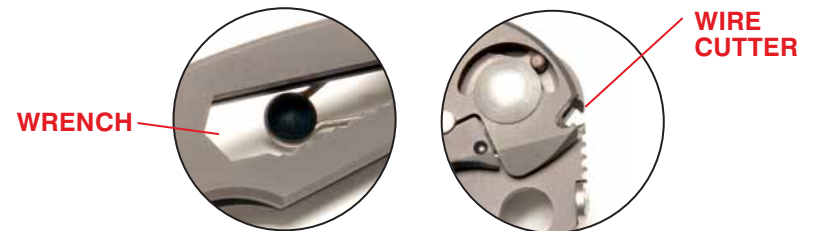
DELTA — FIXED COMBAT/UTILITY KNIFE

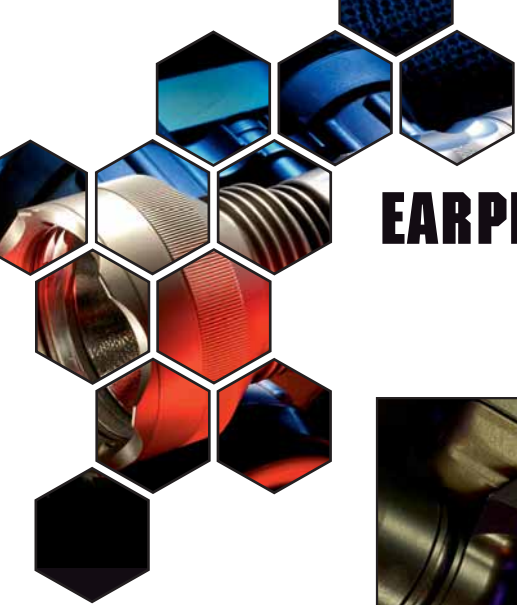
A fixed-blade version of the Delta Folder, the Delta Fixed Blade provides the same blend of tactical and practical capabilities, including a combat ready spear-point fighting blade made of the finest steel and usable tools integrated into the 1/8"-thick titanium grip/tang. Minimal but functional grip scales are brown canvas micarta.

Overall Length: 9.0" **Blade Length:** 3.9" **Weight:** 5.6 oz.

Features:

- Blade is blasted with silicon carbide, coated with tungsten diamond-like carbon, top-coated with CVD diamond
- Emergency cutter for seat harnesses, webbing, parachute cord, flex cuffs, etc.
- Frame provides 1/2" hex wrench and toothed slot for smaller nuts down to 13/64" size.
- Cutter/crimper accepts up to 12 gauge wire.
- Integral finger guard ground for use as a screwdriver.

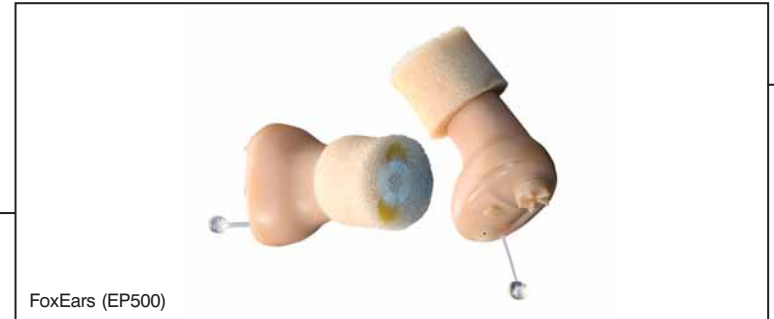




EARPRO



FoxEars use advanced digital technology to simultaneously provide hearing enhancement and protection while fitting completely in the ear canal. In addition, FoxEars offer an option to integrate radio communications directly into the earpieces using a wireless induction loop.



FoxEars (EP500)

New for 2006 is SureFire's EarPro line of hearing-related products. SureFire has acquired EarPro Communications to facilitate the development of advanced technology tactical hearing and communications products. EarPro products include comfortable electronic and non-electronic communications earpieces for hearing protection and hearing enhancement.

All EarPro products are comfortable and unobtrusive enough to wear all day, even with a helmet, mask, or hat, or when using the telephone, headphones, or shooting earmuffs.

The EP1 CommEar Comfort allows you to silently monitor portable radio communications while still hearing ambient sounds and conversations, with no compromise of directional hearing capabilities.

The EP2 CommEar Boost provides the same benefits as the EP1, but its longer sound stem extends closer to the eardrum, enhancing sound delivery efficiency. This enables you to lower your radio volume, reducing the possibility of long-term hearing impairment. A sound stem flange centers the stem in the ear canal and increases earpiece retention.



EARPRO: TACTICAL HEARING AND COMMUNICATIONS PRODUCTS



The CommEar Comfort (EP1) offer clear, covert two-way radio listening without compromising comfort or ambient hearing.



The CommEar Boost™ (EP2) place radio comm deeper in ear, enabling a lower volume setting decreasing the possibility of long-term hearing damage, without compromising ambient hearing.



The Sonic Defenders (EP3) provide passive hearing protection, decreasing loud sounds while still allowing normal hearing.



The EP100 wire system uses Dupont Hytrel® coated cable and CNC-machined aluminum components for performance and reliability under extreme conditions.

EP3 Sonic Defenders are passive hearing protectors that reduce harmful high-decibel sounds while permitting users to hear lower-level sounds and conversations. Sonic Defenders are particularly useful for use in environments where exposure to suddenly high noise levels cannot be predicted, as is the case during combat operations, and in constant noise environments such as vehicle-mounted patrols and convoys.

The EP 100 is a single-wire listen-only system that channels radio communications directly into your ear, clearly and covertly. This reduces your personal sound signature and prevents communications eavesdropping, yet permits virtually normal hearing of ambient sounds. The EP100 plugs directly into your radio or shoulder microphone and uses a Dupont Hytrel® coated cable, providing superior flexibility and strength. Connectors and adapters are available for most makes and models of radio equipment.

EP400 SWAT Ears provide electronic hearing enhancement plus hearing protection. Normal ambient sounds are amplified, while digital compression technology seamlessly lowers the level of potentially dangerous sounds — superior to clipping technology that can make speech sound choppy. Paired behind-the-ear units have a sound tube to focus all hearing directly into the ear canal. Comes with different-sized disposable foam earpieces.

EP500 FoxEars provide the same benefits of SWAT Ears — hearing enhancement and protection — but the paired units fit entirely within the ear canal.

NOTE: An optional version of both the SWAT Ears and FoxEars enables the user to integrate radio communication into these hearing enhancement/protection systems.



FLASHLIGHTS

U.S. Special Forces, Navy SEALs, and the FBI are a few of the professionals who depend on our flashlights. But they're not just our customers — they're also our research and development team. Based on their combat experience and our advanced engineering, we've created flashlights that are superior to any others, with features such as high-output light sources, shock-isolation, military specification finishes, and parts-compatibility with SureFire WeaponLights. Whether you need to clear a bunker or simply read a map, you'll never regret having the best tool for the job.

COMPACT HIGH-INTENSITY FLASHLIGHTS

INCANDESCENT LIGHT



Two 123 lithium batteries (included)

6P ORIGINAL SPECS

Max Output 65/120* lumens
Runtime 60/20* minutes
Bezel 1.25 inches diameter
Length 5.1 inches
Weight 5.3 ounces

Construction: anodized aluminum

*With optional ultra-high output lamp

COMPACT HIGH-INTENSITY FLASHLIGHTS

INCANDESCENT LIGHT



Two 123 lithium batteries (included)

G2 NITROLON® SPECS

Max Output 65/120* lumens
Runtime 60/20* minutes
Bezel 1.25 inches diameter
Length 4.9 inches
Weight 4.0 ounces

Construction: Impact-resistant Nitrolon® polymer

*With optional ultra-high output lamp

COMBATLIGHT® SERIES

INCANDESCENT POLYMER COMBATLIGHT



Two 123 lithium batteries (included)

G2Z COMBATLIGHT® SPECS

Max Output 65/120* lumens
Runtime 60/20* minutes
Bezel 1.25 inches diameter
Length 5.1 inches
Weight 4.1 ounces

Construction: Impact-resistant Nitrolon® polymer

*With optional ultra-high output lamp

COMBATLIGHT® SERIES

INCANDESCENT COMBATLIGHT



Two 123 lithium batteries (included)

Z2 COMBATLIGHT® SPECS

Max Output 65/120* lumens
Runtime 60/20* minutes
Bezel 1.25 inches diameter
Length 5.1 inches
Weight 5.3 ounces

Construction: anodized aluminum

*With optional ultra-high output lamp

COMBATLIGHT® SERIES

INCANDESCENT COMBATLIGHT



Two 123 lithium batteries (included)

C2 CENTURION SPECS

Max Output 65/120* lumens
Runtime 60/20* minutes
Bezel 1.25 inches diameter
Length 5.1 inches
Weight 4.0 ounces

Construction: MilSpec Type III hard-anodized aluminum

*With optional ultra-high output lamp

COMBATLIGHT® SERIES

INCANDESCENT COMBATLIGHT



Three 123 lithium batteries (included)

C3 CENTURION SPECS

Max Output 105/200* lumens
Runtime 60/20* minutes
Bezel 1.25 inches diameter
Length 6.4 inches
Weight 6.7 ounces

Construction: MilSpec Type III hard-anodized aluminum

*With optional ultra-high output lamp

EXECUTIVE SERIES
 INCANDESCENT MINI-LIGHT



One 123 lithium battery (included)

E1E EXECUTIVE ELITE® SPECS

| | |
|-------------------|-----------------|
| Max Output | 15 lumens |
| Runtime | 1.5 hours |
| Bezel | 1 inch diameter |
| Length | 3.3 inches |
| Weight | 2.2 ounces |

Construction: MilSpec Type III hard-anodized aluminum

EXECUTIVE SERIES
 COMPACT INCANDESCENT LIGHT



Two 123 lithium batteries (included)

E2E EXECUTIVE ELITE® SPECS

| | |
|-------------------|-----------------|
| Max Output | 60 lumens |
| Runtime | 1.25 hours |
| Bezel | 1 inch diameter |
| Length | 4.5 inches |
| Weight | 3.1 ounces |

Construction: MilSpec Type III hard-anodized aluminum

EXECUTIVE SERIES
 INCANDESCENT SELF-DEFENSE LIGHT



Two 123 lithium batteries (included)

E2D DEFENDER® SPECS

| | |
|-------------------|-----------------|
| Max Output | 60 lumens |
| Runtime | 1.25 hours |
| Bezel | 1 inch diameter |
| Length | 4.85" inches |
| Weight | 3.2 ounces |

Construction: MilSpec Type III hard-anodized aluminum

SPECIAL OPERATIONS SERIES
 INFRARED LED LIGHT



One 123 lithium battery (included)

M1 IR ILLUMINATOR SPECS

| | |
|-------------------|-----------------------|
| Max Output | 10 milliwatts / 880nm |
| Runtime | 15 hours |
| Bezel | 1 inch diameter |
| Length | 3.8 inches |
| Weight | 3.1 ounces |

Construction: MilSpec Type III hard-anodized aluminum

SPECIAL OPERATIONS SERIES
 SHOCK-ISOLATED INCANDESCENT COMBATLIGHT



Two 123 lithium batteries (included)

M2 CENTURION SPECS

| | |
|-------------------|----------------------|
| Max Output | 65/120* lumens |
| Runtime | 60/20* minutes |
| Bezel | 1.47 inches diameter |
| Length | 5.5 inches |
| Weight | 5.8 ounces |

Construction: MilSpec Type III hard-anodized aluminum

SPECIAL OPERATIONS SERIES
 SHOCK-ISOLATED INCANDESCENT COMBATLIGHT



Three 123 lithium batteries (included)

M3 COMBATLIGHT® SPECS

| | |
|-------------------|----------------------|
| Max Output | 125/225* lumens |
| Runtime | 60/20* minutes |
| Bezel | 1.25 inches diameter |
| Length | 7.1 inches |
| Weight | 7.0 ounces |

Construction: MilSpec Type III hard-anodized aluminum

SPECIAL OPERATIONS SERIES
 SHOCK-ISOLATED INCANDESCENT EXTENDED RANGE COMBATLIGHT



Three 123 lithium batteries (included)

M3T COMBATLIGHT® SPECS

| | |
|-------------------|---------------------|
| Max Output | 125/225* lumens |
| Runtime | 60/20* minutes |
| Bezel | 2.5 inches diameter |
| Length | 9.8 inches |
| Weight | 8.0 ounces |

Construction: MilSpec Type III hard-anodized aluminum

SPECIAL OPERATIONS SERIES
 SHOCK-ISOLATED INCANDESCENT EXTENDED RANGE COMBATLIGHT



Four 123 lithium batteries (included)

M4 DEVASTATOR SPECS

| | |
|-------------------|---------------------|
| Max Output | 225/350* lumens |
| Runtime | 60/20* minutes |
| Bezel | 2.5 inches diameter |
| Length | 9.0 inches |
| Weight | 11.6 ounces |

Construction: MilSpec Type III hard-anodized aluminum

*With included ultra-high output lamp

Crenellated Strike Bezel™ version available
 *With included ultra-high output lamp

Crenellated Strike Bezel™ version available
 *With included ultra-high output lamp

Crenellated Strike Bezel™ version available
 *With included ultra-high output lamp

SPECIAL OPERATIONS SERIES

SHOCK-ISOLATED INCANDESCENT EXTENDED RANGE ASSAULT LIGHT



Six 123 lithium batteries (included)

M6 GUARDIAN® SPECS

| | |
|-------------------|---------------------|
| Max Output | 250/500* lumens |
| Runtime | 60/20* minutes |
| Bezel | 2.5 inches diameter |
| Length | 7.75 inches |
| Weight | 15.9 ounces |

Construction: MilSpec Type III hard-anodized aluminum

Crenellated Strike Bezel™ version available
*With included ultra-high output lamp

DIGITAL PLUS SERIES

DUAL-OUTPUT LED/INCANDESCENT



Two 123 lithium batteries (included)



A2 AVIATOR® SPECS

| | |
|-------------------|--------------------------|
| Max Output | xenon:50 lum./LED:3 lum. |
| Runtime | 60 minutes/20 hours |
| Bezel | 1.13 inches diameter |
| Length | 5.6 inches |
| Weight | 4.1 ounces |

Construction: MilSpec Type III hard-anodized aluminum

DIGITAL PLUS SERIES

SIX LEVEL MULTI-SPECTRUM LED



Two 123 lithium batteries (included)



KROMA SPECS

| | |
|-------------------|----------------------|
| Max Output | 3 to 60 lumens |
| Runtime | 24 hours/2 hours |
| Bezel | 1.47 inches diameter |
| Length | 5.5 inches |
| Weight | 4.9 ounces |

Construction: MilSpec Type III hard-anodized aluminum

DIGITAL PLUS SERIES

SIX LEVEL VARIABLE-OUTPUT LED



Two 123 lithium batteries (included)

U2 ULTRA SPECS

| | |
|-------------------|--------------------------|
| Max Output | 2 to 100 lumens |
| Runtime | 40+ hours at low setting |
| Bezel | 1.47 inches diameter |
| Length | 6.1 inches |
| Weight | 5.7 ounces |

Construction: MilSpec Type III hard-anodized aluminum

EXECUTIVE SERIES

EXTENDED-RUNTIME LED



Two 123 lithium batteries (included)

E2L OUTDOORSMAN® SPECS

| | |
|-------------------|-----------------|
| Max Output | 30 lumens |
| Runtime | 6 hours* |
| Bezel | 1 inch diameter |
| Length | 5.25 inches |
| Weight | 3.5 ounces |

Construction: MilSpec Type III hard-anodized aluminum

*3 hours high output, then 3 hours useful output

DIGITAL LUMAMAX® SERIES

DUAL-OUTPUT LED



One 123 lithium battery (included)



L1 LUMAMAX SPECS

| | |
|-------------------|-----------------------|
| Max Output | 1.1 lumens/22 lumens* |
| Runtime | 90 hours/4 hours* |
| Bezel | 1 inch diameter |
| Length | 4.6 inches |
| Weight | 2.9 ounces |

Construction: MilSpec Type III hard-anodized aluminum

*Low/high settings

DIGITAL LUMAMAX® SERIES

DUAL-OUTPUT LED



Two 123 lithium batteries (included)

L2 LUMAMAX SPECS

| | |
|-------------------|-----------------------|
| Max Output | 15 lumens/100 lumens* |
| Runtime | 18 hours/60 minutes* |
| Bezel | 1 inch diameter |
| Length | 6.1 inches |
| Weight | 4.2 ounces |

Construction: MilSpec Type III hard-anodized aluminum

*Low/high settings

DIGITAL LUMAMAX® SERIES

HIGH-OUTPUT LED



Two 123 lithium batteries (included)

L4 LUMAMAX SPECS

| | |
|-------------------|-----------------|
| Max Output | 100 lumens |
| Runtime | 2.5 hours* |
| Bezel | 1 inch diameter |
| Length | 5.1 inches |
| Weight | 3.4 ounces |

Construction: MilSpec Type III hard-anodized aluminum

*1 hour high output, then 1.5 hours useful output

DIGITAL LUMAMAX® SERIES
LED COMBATLIGHT



Two 123 lithium batteries (included)

L5 LUMAMAX SPECS

| | |
|-------------------|----------------------|
| Max Output | 100 lumens |
| Runtime | 2.5 hours* |
| Bezel | 1.47 inches diameter |
| Length | 6.0 inches |
| Weight | 7.2 ounces |

Construction: MilSpec Type III hard-anodized aluminum

*1 hour high output, then 1.5 hours useful output

DIGITAL LUMAMAX® SERIES
LED COMBATLIGHT



Three 123 lithium batteries (included)

L6 LUMAMAX SPECS

| | |
|-------------------|----------------------|
| Max Output | 100 lumens |
| Runtime | 4 hours* |
| Bezel | 1.63 inches diameter |
| Length | 7.74 inches |
| Weight | 8.4 ounces |

Construction: MilSpec Type III hard-anodized aluminum

*1.5 hour high output, then 2.5 hours useful output

DIGITAL LUMAMAX® SERIES
LED RECHARGEABLE



B90 Ni-Cad (included)

L7 LED RECHARGEABLE SPECS

| | |
|-------------------|----------------------|
| Max Output | 100 lumens |
| Runtime | 2.5 hours* |
| Bezel | 1.47 inches diameter |
| Length | 7.87 inches |
| Weight | 11.3 ounces |

Construction: MilSpec Type III hard-anodized aluminum

*1 hour high output, then 1.5 hours useful output

ADVANCED RECHARGEABLES
INCANDESCENT POLYMER REACHARGEABLE



B90 Ni-Cad (included)

8NX COMMANDER® SPECS

| | |
|-------------------|----------------------|
| Max Output | 110 lumens |
| Runtime | 50 minutes |
| Bezel | 1.47 inches diameter |
| Length | 7.0 inches |
| Weight | 8.0 ounces |

Construction: Impact-resistant Nitrolon® polymer

ADVANCED RECHARGEABLES
INCANDESCENT REACHARGEABLE



B90 Ni-Cad (included)

8AX COMMANDER® SPECS

| | |
|-------------------|----------------------|
| Max Output | 110 lumens |
| Runtime | 50 minutes |
| Bezel | 1.47 inches diameter |
| Length | 7.0 inches |
| Weight | 8.0 ounces |

Construction: MilSpec Type III hard-anodized aluminum

ADVANCED RECHARGEABLES
DUAL-OUTPUT INCANDESCENT REACHARGEABLE



B90 Ni-Cad (included)

9AN COMMANDER® SPECS

| | |
|-------------------|----------------------|
| Max Output | 20/140 lumens |
| Runtime | 2 hours/40 minutes |
| Bezel | 1.62 inches diameter |
| Length | 7.9 inches |
| Weight | 12.8 ounces |

Construction: MilSpec Type III hard-anodized aluminum

ADVANCED RECHARGEABLES
DUAL-OUTPUT INCANDESCENT REACHARGEABLE



B20 Ni-Cad Battery/Handle (included)

10X DOMINATOR® SPECS

| | |
|-------------------|---------------------|
| Max Output | 60/500 lumens |
| Runtime | 3 hours/20 minutes |
| Bezel | 2.5 inches diameter |
| Length | 9.5 inches |
| Weight | 20.0 ounces |

Construction: MilSpec Type III hard-anodized aluminum

HIGH INTENSITY DISCHARGE (HID)
HIGH-INTENSITY DISCHARGE



Twenty 123 lithium batteries and rechargeable handle (included)

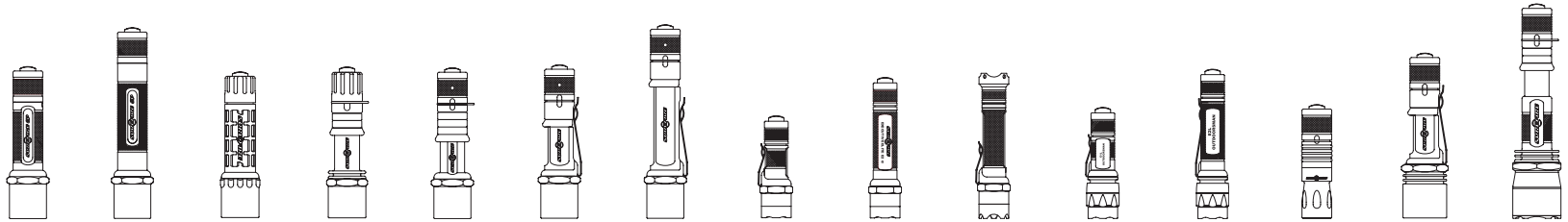
THE BEAST RECHARGEABLE (B1R)

| | |
|-------------------|--|
| Max Output | 12/2,000 lumens |
| Runtime | 20*/32** hours (LED) 1.5*/2** hours (HID) |
| Bezel | 4.0 inch diameter |
| Length | 15.5 inches |
| Weight | 4.5 pounds |

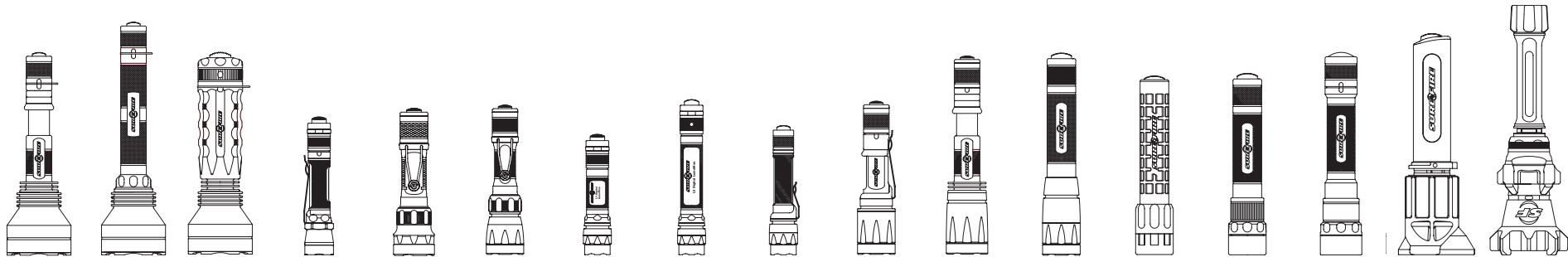
Construction: MilSpec Type III hard-anodized aluminum

* Lithium Batteries
** Lithium Ion rechargeable handle

FLASHLIGHT TECHNICAL SPECIFICATIONS



| | 6P | 9P | G2 | G2Z | Z2 | C2 | C3 | E1E | E2E | E2D | E1L | E2L | M1 | M2 | M3 |
|-------------------------------|------------|------------|------------|---------------|---------------|------------|------------|---------|------------|----------|---------|---------|---------------|---------------|---------------|
| Performance | | | | | | | | | | | | | | | |
| Max lumen output | 65 | 105 | 65 | 65 | 65 | 65 | 105 | 15 | 60 | 60 | 25 | 30 | 10mw/880nm | 65 | 125 |
| Runtime | 60 min | 60 min | 60 min | 60 min | 60 min | 60 min | 60 min | 1.5 hrs | 1.25 hrs | 1.25 hrs | 4 hrs | 6 hrs | 15 hrs | 60 min | 60 min |
| Lithium Batteries | Two | Three | Two | Two | Two | Two | Three | One | Two | Two | One | Two | One | Two | Three |
| Lamp Assemblies | P60 | P90 | P60 | P60 | P60 | P60 | P90 | MN01 | MN03 | MN03 | LED | LED | LED | P60 | MN10 |
| Length | 5.1" | 6.5" | 4.9" | 5.1" | 5.1" | 5.1" | 6.4" | 3.3" | 4.5" | 4.85" | 4.00" | 5.25" | 3.8" | 5.5" | 7.1" |
| Weight | 5.3 oz. | 6.5 oz. | 4.0 oz. | 4.1 oz. | 4.8 oz. | 5.3 oz. | 6.7 oz. | 2.2 oz. | 3.1 oz. | 3.2 oz. | 2.6 oz. | 3.5 oz. | 3.1 oz. | 5.8 oz. | 7.0 oz. |
| Bezel Diameter | 1.25" | 1.25" | 1.25" | 1.25" | 1.25" | 1.25" | 1.25" | 1" | 1" | 1" | 1" | 1" | 1" | 1.47" | 1.62" |
| Spares Carrier (Empty) | SC1 | SC1 | SC1 | SC1 | SC1 | SC1 | SC1 | SC3 | SC3 | SC3 | SC3 | SC3 | SC3 | SC1 | SC2 |
| Optional Lamp Assembly | | | | | | | | | | | | | | | |
| Lumens | P61 120 | P91 200 | P61 120 | P61 120 | P61 120 | P61 120 | P91 200 | --- | MN02 25 | --- | --- | --- | --- | P61 120 | MN11 225 |
| Runtime | 20 min | 20 min | 20 min | 20 min | 20 min | 20 min | 20 min | --- | 2.5 hours | --- | --- | --- | --- | 20 min | 20 min |
| Bezel Mounted Items | | | | | | | | | | | | | | | |
| Red filter | FM35 | FM35 | FM35 | FM35 | FM35 | FM35 | FM35 | F05 | F05 | F05 | F05 | F05 | --- | FM65 | FM15 |
| Blue filter | FM36 | FM36 | FM36 | FM36 | FM36 | FM36 | FM36 | F06 | F06 | F06 | F06 | F06 | --- | FM66 | FM16 |
| Infrared filter | FM33 | FM33 | FM33 | FM33 | FM33 | FM33 | FM33 | F03 | F03 | F03 | --- | --- | --- | FM63 | FM13 |
| Diffusion filter | FM34 | FM34 | FM34 | FM34 | FM34 | FM34 | FM34 | F04 | F04 | F04 | --- | --- | --- | FM64 | FM14 |
| Opaque cover | FM37 | FM37 | FM37 | FM37 | FM37 | FM37 | FM37 | --- | --- | --- | --- | --- | --- | FM67 | FM17 |
| Traffic wand | F28 | F28 | F28 | F28 | F28 | F28 | F28 | --- | --- | --- | --- | --- | --- | F68 | F38 |
| Holsters | | | | | | | | | | | | | | | |
| Polymer | V70 | V70 | V70 | V70 | V70 | V70 | V70 | --- | --- | --- | --- | --- | --- | V72 | V71 |
| Leather, plain | V26 | V16 | V26 | --- | --- | --- | --- | --- | --- | --- | --- | --- | --- | --- | --- |
| Leather, basketweave | V27 | V17 | V27 | --- | --- | --- | --- | --- | --- | --- | --- | --- | --- | --- | --- |
| Leather, clarino | V28 | V18 | V28 | --- | --- | --- | --- | --- | --- | --- | --- | --- | --- | --- | --- |
| Nylon, quick release | V21 | V11 | V21 | --- | --- | --- | --- | --- | V82 | V21 | V82 | V21 | V21 | --- | --- |
| Lanyard Systems | | | | | | | | | | | | | | | |
| Lanyard, tailcap | Z26 | Z26 | Z26 | included | included | Z26 | Z26 | --- | --- | --- | --- | --- | included | Z26 | included |
| Lanyard ring, bezel | Z12 | Z12 | Z12 | Z12 | Z12 | Z12 | Z12 | --- | --- | --- | --- | --- | included | Z45 | --- |
| Lanyard | Z33 | Z33 | Z33 | Z33 (includ.) | Z33 (includ.) | Z33,Z46 | Z33,Z46 | Z50 | Z50 | Z50 | Z50 | Z50 | Z45 (includ.) | Z45 (includ.) | Z45 (includ.) |
| Conversion Kits | | | | | | | | | | | | | | | |
| Premium LED (3-watt) | KL3 | KL3 | KL3 | KL3 | KL3 | KL3 | KL3 | KL1 | KL1 | --- | --- | --- | --- | KL3 | KL2 |
| Premium LED (5-watt) | KL5 | KL5 | KL5 | KL5 | KL5 | KL5 | KL5 | --- | KL4 | --- | --- | --- | --- | KL5 | KL6 |
| TurboHead | KT1 | KT2 | KT1 | KT1 | KT1 | KT1 | KT2 | --- | --- | --- | --- | --- | --- | KT1 | KT4 |
| Rechargeable Kit | KR2-BK | --- | KR1 | --- | --- | --- | --- | --- | --- | --- | --- | --- | --- | --- | --- |
| Turbo Lamp Assembly | N1 | N2 | N1 | N1 | N1 | N1 | N2 | --- | --- | --- | --- | --- | --- | N1 | MN15, MN16 |
| Rechargeable Battery | B65 | --- | B65 | --- | --- | --- | --- | --- | --- | --- | --- | --- | --- | --- | --- |
| Click-On Tailcap | Z59 | Z59 | Z58, Z59 | --- | Z59 | Z58, Z59 | Z58, Z59 | Z57 | Z57 | Z61 | --- | Z57 | --- | Z58 | Z58 |



| | M3T | M4 | M6 | A2 | KROMA | U2 | L1 | L2 | L4 | L5 | L6 | L7 | 8NX | 8AX | 9AN | 10X | B1R |
|--|---|---|---|-----------------------------------|---------------------|---------------------|--------------------|-------------------------|-------------------|---------------------|------------------------|---------------------|---|---|---|------------------------|-------------------------|
| | 125 60 min | 225 60 min | 250 60 min | Lamp:50/ LED:3 60 min/20hrs | 3 to 60 2/24 hrs | 2 to 100 40+ hrs | 1.1/22 90/4 hrs | 15/100 18 hrs/60 min | 100 2.5 hrs | 100 2.5 hrs | 100 4 hrs | 100 2.5 hrs | 110 50 min | 110 50 min | 20/140 2 hrs/40 min | 60/500 3 hrs/20 min | 12/2,000 (See pg 61) |
| | Three | Four | Six | Two | Two | Two | One | Two | Two | Two | Three | B90 Ni-Cd | B90 Ni-Cd | B90 Ni-Cd | B90 Ni-Cd | B20 Ni-Cd | Twenty |
| | MN15 | MN60 | MN20 | MA02 | LED | LED | LED | LED | LED | LED | LED | LED | X80 | X80 | N90 | MN30, MN31 | --- |
| | 7.8" | 9.0" | 7.75" | 5.6" | 5.5" | 6.1" | 4.6" | 6.06" | 5.05" | 6" | 7.74" | 7.87" | 7.0" | 6.9" | 7.9" | 9.5" | 15.5" |
| | 8.0 oz. | 11.6 oz. | 15.9 oz. | 4.1 oz. | 4.9 oz. | 5.7 oz. | 2.9 oz. | 4.2 oz. | 3.4 oz. | 7.2 oz. | 8.4 oz. | 11.3 oz. | 8.0 oz. | 9.7 oz. | 12.8 oz. | 20.0 oz. | 4.5 pounds |
| | 2.5" | 2.5" | 2.5" | 1.13" | 1.47" | 1.47" | 1" | 1" | 1" | 1.47" | 1.62" | 1.47" | 1.47" | 1.47" | 1.62" | 2.5" | 4.0" |
| | SC2 | SC2 | SC2 | SC3 | SC3 | SC3 | SC3 | SC3 | SC3 | SC3 | SC2 | --- | --- | --- | --- | --- | --- |
| | MN16 225 20 min | MN61 350 20 min | MN21 500 20 min | --- | --- | --- | --- | --- | --- | --- | --- | --- | --- | --- | --- | MN32 110 90 min | --- |
| | FM25 FM26 FM23 FM24 FM27 --- | FM25 FM26 FM23 FM24 FM27 --- | FM25 FM26 FM23 FM24 FM27 --- | --- | --- | --- | F05 F06 --- | F05 F06 --- | F05 F06 --- | FM65 FM66 --- | FM15 FM16 --- | FM65 FM66 --- | FM65 FM66 FM63 FM64 FM67 F68 | FM65 FM66 FM63 FM64 FM67 F68 | FM15 FM16 FM13 FM14 FM17 F38 | --- | --- |
| | V71 --- | V71 --- | --- | V26 V27 V28 V21 | --- | --- | --- | --- | --- | V72 --- | V71 --- | V72 --- | V72 V36 V37 V38 V31 | V72 V36 V37 V38 V31 | V71 V46 V47 V48 V41 | --- | --- |
| | included Z45 (includ.) | included Z45 (includ.) | included Z51 (includ.) | --- | --- | --- | Z60 (includ.) | Z60 (includ.) | Z50 | --- | --- | --- | --- | --- | --- | --- | --- |
| | KL2 KL6 --- | --- | --- | --- | --- | --- | --- | --- | KL1 --- | KL3 --- | --- | --- | --- | --- | --- | --- | --- |
| | --- | --- | --- | --- | --- | --- | --- | --- | --- | N1 included | MN15, MN16 included | --- | N5 B90 | N5 B90 | N3 B90 | B20 | --- |

TO ORDER: 800.828.8809 > www.surefire.com



ACCESSORIES



SPARES CARRIERS

Carry a spare flashlight lamp assembly and multiple 123A lithium batteries in these clear, watertight, impact-resistant polymer containers. O-ring sealed screw-on lids. See specifications chart at back of catalog to determine the correct spares carrier for your flashlight.

LAMP ASSEMBLIES

Specially engineered lamps produce SureFire's brilliant, perfectly-focused beams. You can purchase replacement high-output lamps and optional ultra high-output lamps that nearly double light output (available for most flashlight models). See specifications chart at back of catalog to determine the correct lamps for your flashlight. Note: Ultra-high output lamps use more energy and therefore deplete batteries more quickly. See chart for runtimes.

LED CONVERSION HEADS

Convert your incandescent flashlight to a super-rugged, long-life, energy-efficient LED flashlight by installing this replacement head. Solid-state light-emitting diode is virtually impact-proof, with no filament to break or burn out. See specifications chart at back of catalog to determine the correct conversion head for your flashlight.



TRAFFIC CONES

Convert your flashlight into a glowing orange high-visibility wand for directing traffic or signaling. Slip-on cones are made of a durable semi-rigid polymer. See specifications chart at back of catalog to determine the correct wand for your flashlight.

LANYARDS

Nylon cord lanyards with dual cordlocks to provide adjustment for wrist or neck carry. Hardware to connect to flashlight included. Breakaway connector prevents injury. See specifications chart at back of catalog to determine the correct lanyard for your flashlight.





HOLSTERS

Keep your flashlight close at hand, secure, and protected in a belt holster. Leather holsters are premium top-grain leather featuring an internal retention device and corner-stitched construction for years of durable service. Nylon holsters are heavy-duty Cordura fabric featuring extra-long retention flaps with Velcro® closures and either closed or quick-detach belt loops. Polymer holsters are rigid units that provide impact protection, fumble-free re-holstering, head-up/head-down flashlight position, and adjustable belt slot size. See specifications chart at back of catalog to determine the correct holsters for your flashlight.



CHARGING SYSTEMS

Bring your rechargeable SureFire flashlight batteries to full capacity in two hours or less with a Rapid SmartCharger. Comes as a kit including mountable charger, 110-volt power supply transformer, and DC adapter for 12-volt accessory plug in boat or automobile. "Smart" feature provides optimum automatic charging. See specifications chart at back of catalog to determine the correct charger model for your flashlight.



FILTERS

Convert your flashlight's white light output to red, blue, or infrared output with slip-on or clamp-on filters. Flip-up feature permits rapidly altering between white and filtered light. See specifications chart at back of catalog to determine the correct filter models for your flashlight. Note: Infrared filters are unsuitable for LED white light flashlights, which produce negligible infrared radiation.



DIFFUSERS

Convert your flashlight's existing tactical-focus beam to a wider, more evenly distributed beam with a slip-on or clamp-on diffuser. Flip-up feature permits rapidly altering between focused and diffused light. See "Filters" section of specifications chart at back of catalog to determine the correct diffuser for your flashlight.



COVERS

Protect your flashlight's window from impact damage, dirt, mud, etc. with a slip-on or clamp-on opaque cover. Flip-up feature permits rapid opening and closing. See "Filters" section of specifications chart at back of catalog to determine correct the cover for your flashlight.



TAILCAP CLICK SWITCHES

These replacement switches provide constant-on mode for your flashlight without rotating the tailcap. Push the tailcap button for momentary-on light activation, press further and the switch clicks to constant-on mode. Click again to turn off flashlight. See specifications chart at back of catalog to determine the correct tailcap switch for your flashlight.



ABBREVIATED PRODUCT LIST

CONTENTS

- 66 LONG GUN WEAPONLIGHTS**
- 68 ADAPTERS & MOUNTS, CLASSIC UNIVERSAL SYSTEM**
- 69 SWITCHES, LONG GUN WEAPONLIGHTS**
- 69 HANDGUN WEAPONLIGHTS**
- 70 SOUND SUPPRESSORS**
- 70 PICATINNY RAIL SYSTEM FORENDS**
- 70 LASER SIGHTS AND SYSTEMS**
- 70 FLASHLIGHTS**
- 71 BATON AND SHIELD LIGHTS**
- 71 EDGED WEAPONS**
- 72 BATTERIES**
- 72 FILTERS AND COVERS**
- 72 HOLSTERS AND SPARES CARRIERS**
- 72 LAMP MODULES, LONG GUN WEAPONLIGHTS**
- 73 LAMPS**
- 73 MISCELLANEOUS**
- 73 TURBOHEAD CONVERSION KITS**

MILLENNIUM UNIVERSAL WEAPONLIGHTS

| | |
|----------|--|
| M951UM07 | 6V, UM SWITCH, 7" CABLE, DUAL THUMB SCREW MOUNT |
| M952UM07 | 6V, UM SWITCH, 7" CABLE, A.R.M.S. THROW LEVER MOUNT |
| M951XM07 | 6V, XM SWITCH WITH CONSTANT ON/OFF AND MOMENTARY SWITCH, 7" CABLE, DUAL THUMB SCREW MOUNT |
| M952XM07 | 6V, XM SWITCH WITH CONSTANT ON/OFF AND MOMENTARY SWITCH, 7" CABLE, A.R.M.S. THROW LEVER MOUNT |
| M961UM07 | 9V, UM SWITCH, 7" CABLE, DUAL THUMB SCREW MOUNT |
| M962UM07 | 9V, UM SWITCH, 7" CABLE, A.R.M.S. THROW LEVER MOUNT |
| M961XM07 | 9V, XM SWITCH WITH CONSTANT ON/OFF AND MOMENTARY SWITCH, 7" CABLE, DUAL THUMB SCREW MOUNT |
| M962XM07 | 9V, XM SWITCH WITH CONSTANT ON/OFF AND MOMENTARY SWITCH, 7" CABLE, A.R.M.S. THROW LEVER MOUNT |
| M971UM07 | 9V, UM SWITCH, 7" CABLE, DUAL THUMB SCREW MOUNT |
| M972UM07 | 9V, UM SWITCH, 7" CABLE, A.R.M.S. THROW LEVER MOUNT |
| M971XM07 | 9V, XM SWITCH WITH CONSTANT ON/OFF AND MOMENTARY SWITCH, 7" CABLE, DUAL THUMB SCREW MOUNT |
| M972XM07 | 9V, XM SWITCH WITH CONSTANT ON/OFF AND MOMENTARY SWITCH, 7" CABLE, A.R.M.S. THROW LEVER MOUNT |
| M981UM07 | 12V, UM SWITCH, 7" CABLE, DUAL THUMB SCREW MOUNT |
| M982UM07 | 12V, UM SWITCH, 7" CABLE, A.R.M.S. THROW LEVER MOUNT |
| M981XM07 | 12V, XM SWITCH WITH CONSTANT ON/OFF AND MOMENTARY SWITCH, 7" CABLE, DUAL THUMB SCREW MOUNT |
| M982XM07 | 12V, XM SWITCH WITH CONSTANT ON/OFF AND MOMENTARY SWITCH, 7" CABLE, A.R.M.S. THROW LEVER MOUNT |

MILITARY FIELD MAINTENANCE KITS FOR MILLENNIUM UNIVERSAL WEAPONLIGHTS

| | |
|--------|--|
| KMU001 | MILLENNIUM UNIVERSAL WEAPONLIGHT FIELD MAINTENANCE KIT, FOR 6V AND 9V MU SYSTEMS, SPECIAL OPERATIONS SUPPORT |
| KMU002 | MILLENNIUM UNIVERSAL FIELD MAINTENANCE KIT, FOR 6V MU SYSTEMS ONLY, BATTALION SUPPORT |

LEOPARD LIGHTS (SCOPE-MOUNTED SNIPER LIGHTS)

| | |
|---------|--|
| 1251-06 | FOR 1" SCOPES: M4 DEVASTATOR, 2 M35 AND 2 M31 MOUNTS, XM SWITCH WITH CONSTANT ON/OFF AND MOMENTARY SWITCH, 6" CABLE |
| 1251-10 | FOR 1" SCOPES: M4 DEVASTATOR, 2 M35 AND 2 M31 MOUNTS, XM SWITCH WITH CONSTANT ON/OFF AND MOMENTARY SWITCH, 10" CABLE |
| 1252-06 | FOR 30 mm SCOPES: M4 DEVASTATOR, 2 M38 AND 2 M31 MOUNTS, XM SWITCH WITH CONSTANT ON/OFF AND MOMENTARY SWITCH, 6" CABLE |
| 1252-10 | FOR 30 mm SCOPES: M4 DEVASTATOR, 2 M38 AND 2 M31 MOUNTS, XM SWITCH, CONSTANT ON/OFF AND MOMENTARY SWITCH, 10" CABLE |

MILLENNIUM UNIVERSAL WEAPONLIGHT SYSTEM COMPONENTS

| | |
|------|---|
| LU10 | LAMP MODULE ASSEMBLY FOR M96xx MU SYSTEMS |
| LU15 | LAMP MODULE ASSEMBLY FOR M97xx MU SYSTEMS |
| LU20 | LAMP MODULE ASSEMBLY FOR M98Nxx MU SYSTEMS |
| LU60 | LAMP MODULE ASSEMBLY FOR M95xx MU SYSTEMS |
| M49 | MOUNT, DUAL THUMB SCREWS FOR PICATINNY RAIL SYSTEM |
| M50 | A.R.M.S. LEVER MOUNT FOR PICATINNY RAIL SYSTEM |
| MH90 | BODY ASSEMBLY, MILLENNIUM UNIVERSAL TAC LIGHT, M9xx |
| SW02 | CLICK-ON TAILCAP, HARD ANODIZED |

VERTICAL FOREGRIP WEAPONLIGHTS

| | |
|-------------|--|
| M900A-BL | BLUE LED NAVIGATION LIGHTS, A.R.M.S. LEVER MOUNT |
| M900A-IR | INFRARED LED NAVIGATION LIGHTS, A.R.M.S. LEVER MOUNT |
| M900A-RD | RED LED NAVIGATION LIGHTS, A.R.M.S. LEVER MOUNT |
| M900A-WH | WHITE LED NAVIGATION LIGHTS, A.R.M.S. LEVER MOUNT |
| M900AN-WH | WATERPROOF, WHITE LED NAVIGATION LIGHTS, A.R.M.S. LEVER MOUNT |
| M900A-TN-BL | TAN HOUSING, WITH BLUE LED NAVIGATION LIGHTS, A.R.M.S. LEVER MOUNT |

| | |
|--------------|--|
| M900A-TN-IR | TAN HOUSING, WITH INFRARED LED NAVIGATION LIGHTS, A.R.M.S. LEVER MOUNT |
| M900A-TN-RD | TAN HOUSING, WITH RED LED NAVIGATION LIGHTS, A.R.M.S. LEVER MOUNT |
| M900A-TN-WH | TAN HOUSING, WITH WHITE LED NAVIGATION LIGHTS, A.R.M.S. LEVER MOUNT |
| M900AB-BL | 2.5" TURBOHEAD REFLECTOR, BLUE LED NAVIGATION LIGHTS, A.R.M.S. LEVER MOUNT |
| M900AB-IR | 2.5" TURBOHEAD REFLECTOR, INFRARED LED NAVIGATION LIGHTS, A.R.M.S. LEVER MOUNT |
| M900AB-RD | 2.5" TURBOHEAD REFLECTOR, RED LED NAVIGATION LIGHTS, A.R.M.S. LEVER MOUNT |
| M900AB-WH | 2.5" TURBOHEAD REFLECTOR, WHITE LED NAVIGATION LIGHTS, A.R.M.S. LEVER MOUNT |
| M900AB-TN-BL | 2.5" TURBOHEAD REFLECTOR, TAN HOUSING, WITH BLUE LED NAVIGATION LIGHTS, A.R.M.S. LEVER MOUNT |
| M900AB-TN-IR | 2.5" TURBOHEAD REFLECTOR, TAN HOUSING, WITH INFRARED LED NAVIGATION LIGHTS, A.R.M.S. LEVER MOUNT |
| M900AB-TN-RD | 2.5" TURBOHEAD REFLECTOR, TAN HOUSING, WITH RED LED NAVIGATION LIGHTS, A.R.M.S. LEVER MOUNT |
| M900AB-TN-WH | 2.5" TURBOHEAD REFLECTOR, TAN HOUSING, WITH WHITE LED NAVIGATION LIGHTS, A.R.M.S. LEVER MOUNT |
| M910A-BL | BLUE LED NAVIGATION LIGHTS, DUAL THUMB SCREW MOUNT |
| M910A-IR | INFRARED LED NAVIGATION LIGHTS, DUAL THUMB SCREW MOUNT |
| M910A-RD | RED LED NAVIGATION LIGHTS, DUAL THUMB SCREW MOUNT |
| M910A-WH | WHITE LED NAVIGATION LIGHTS, DUAL THUMB SCREW MOUNT |
| M910A-TN-BL | TAN HOUSING, WITH BLUE LED NAVIGATION LIGHTS, DUAL THUMB SCREW MOUNT |
| M910A-TN-IR | TAN HOUSING, WITH INFRARED LED NAVIGATION LIGHTS, DUAL THUMB SCREW MOUNT |
| M910A-TN-RD | TAN HOUSING, WITH RED LED NAVIGATION LIGHTS, DUAL THUMB SCREW MOUNT |
| M910A-TN-WH | TAN HOUSING, WITH WHITE LED NAVIGATION LIGHTS, DUAL THUMB SCREW MOUNT |
| M910AB-BL | 2.5" TURBOHEAD REFLECTOR, BLUE LED NAVIGATION LIGHTS, DUAL THUMB SCREW MOUNT |
| M910AB-IR | 2.5" TURBOHEAD REFLECTOR, INFRARED LED NAVIGATION LIGHTS, DUAL THUMB SCREW MOUNT |
| M910AB-RD | 2.5" TURBOHEAD REFLECTOR, RED LED NAVIGATION LIGHTS, DUAL THUMB SCREW MOUNT |
| M910AB-WH | 2.5" TURBOHEAD REFLECTOR, WHITE LED NAVIGATION LIGHTS, DUAL THUMB SCREW MOUNT |
| M910AB-TN-BL | 2.5" TURBOHEAD REFLECTOR, TAN HOUSING, WITH BLUE LED NAVIGATION LIGHTS, DUAL THUMB SCREW MOUNT |
| M910AB-TN-IR | 2.5" TURBOHEAD REFLECTOR, TAN HOUSING, INFRARED LED NAVIGATION LIGHTS, DUAL THUMB SCREW MOUNT |
| M910AB-TN-RD | 2.5" TURBOHEAD REFLECTOR, TAN HOUSING, WITH RED LED NAVIGATION LIGHTS, DUAL THUMB SCREW MOUNT |
| M910AB-TN-WH | 2.5" TURBOHEAD REFLECTOR, TAN HOUSING, WITH WHITE LED NAVIGATION LIGHTS, DUAL THUMB SCREW MOUNT |

SCOUT LIGHT SYSTEM AND COMPONENTS

| | |
|------------|--|
| M600 KIT01 | 6V, 5W LED, INCAND. LAMP, IR FILTER, 1 CLICK-ON SWITCH, 1 MOMENTARY SWITCH, 7" CABLE, THUMBSCREW MT. |
| M600A | 6V, 5W LED, CLICK ON/OFF SWITCH AND MOMENTARY SWITCH, 7" CABLE, THUMBSCREW MOUNT |
| LU60A | LAMP MODULE ASSEMBLY, INCANDESCENT, FOR SCOUT LIGHT SYSTEM |
| M75 | CLAMP MOUNT ASSEMBLY, THUMBSCREW, SCOUT LIGHT |
| M76 | SWIVEL MOUNT ASSEMBLY, THUMBSCREW, SCOUT LIGHT |
| MH60 | BODY ASSEMBLY, SCOUT LIGHT, M6xx |

DEDICATED FOREND WEAPONLIGHTS FOR SHOTGUNS

| | |
|------------|---|
| 617FA | 6V, MOMENTARY PRESSURE SWITCH AND CONSTANT-ON ROCKER FOR BENELLI M1 |
| 617FGA | 6V, MOMENTARY PRESSURE CONSTANT-ON SWITCH AND DISABLE ROCKER FOR BENELLI M1 |
| 618FA | 6V, MOMENTARY PRESSURE SWITCH AND CONSTANT-ON ROCKER FOR REMINGTON 870 |
| 618FA-ORNG | 6V, MOMENTARY PRESSURE SWITCH, CONSTANT-ON ROCKER FOR REM. 870 (ORANGE FOR LESS-LETHAL) |
| 618FGA | 6V, MOMENTARY PRESSURE CONSTANT-ON SWITCH AND DISABLE ROCKER FOR REMINGTON 870 |
| 620S | 6V, MOMENTARY PRESSURE SWITCH AND DISABLE FLAG SWITCH FOR REMINGTON 1100/11-87 |
| 620T | 6V, MOMENTARY PRESSURE SWITCH AND CONSTANT-ON FLAG SWITCH FOR REMINGTON 1100/11-87 |
| 621FA | 6V, MOMENTARY PRESSURE SWITCH AND CONSTANT-ON ROCKER FOR MOSSBERG 500, 14" ENTRY GUN |
| 621FGA | 6V, MOMENTARY PRESSURE CONSTANT-ON SWITCH AND DISABLE ROCKER FOR MOSSBERG 500 AND 590 |
| 623FA | 6V, MOMENTARY PRESSURE SWITCH AND CONSTANT-ON ROCKER FOR MOSSBERG 500 AND 590 |
| 623FGA | 6V, MOMENTARY PRESSURE CONSTANT-ON SWITCH AND DISABLE ROCKER FOR MOSSBERG 500 AND 590 |
| 636FA | 6V, MOMENTARY PRESSURE SWITCH AND CONSTANT-ON ROCKER FOR WINCHESTER DEFENDER |
| 636FGA | 6V, MOMENTARY PRESSURE CONSTANT-ON SWITCH AND DISABLE ROCKER FOR WINCHESTER DEFENDER |

| | |
|-------|--|
| 918FA | 9V, MOMENTARY PRESSURE SWITCH AND CONSTANT-ON ROCKER FOR REMINGTON 870 |
| 920S | 9V, MOMENTARY PRESSURE SWITCH AND DISABLE FLAG SWITCH FOR REMINGTON 1100/11-87 |
| 920T | 9V, MOMENTARY PRESSURE SWITCH AND CONSTANT-ON FLAG SWITCH FOR REMINGTON 1100/11-87 |

DEDICATED FOREND WEAPONLIGHTS FOR AR-15 RIFLES AND CAR15 CARBINES

| | |
|-----------|---|
| M500A-BL | BLUE LED NAVIGATION LIGHTS, 9V |
| M500A-RD | RED LED NAVIGATION LIGHTS, 9V |
| M500A-WH | WHITE LED NAVIGATION LIGHTS, 9V |
| M500AB-BL | 2.5" TURBOHEAD REFLECTOR, BLUE LED NAVIGATION LIGHTS, 9V |
| M500AB-RD | 2.5" TURBOHEAD REFLECTOR, RED LED NAVIGATION LIGHTS, 9V |
| M500AB-WH | 2.5" TURBOHEAD REFLECTOR, WHITE LED NAVIGATION LIGHTS, 9V |
| M500B-RD | 2.5" TURBOHEAD REFLECTOR, RED LED NAVIGATION LIGHTS, 9V PARALLEL SERIAL |
| M500B-WH | 2.5" TURBOHEAD REFLECTOR, WHITE LED NAVIGATION LIGHTS, 9V PARALLEL SERIAL |

DEDICATED FOREND WEAPONLIGHTS FOR SIG ASSAULT RIFLES

| | |
|-----------|---|
| M520A-BL | BLUE LED NAVIGATION LIGHTS, 9V |
| M520A-RD | RED LED NAVIGATION LIGHTS, 9V |
| M520A-WH | WHITE LED NAVIGATION LIGHTS, 9V |
| M520AB-BL | 2.5" TURBOHEAD REFLECTOR, BLUE LED NAVIGATION LIGHTS, 9V |
| M520AB-RD | 2.5" TURBOHEAD REFLECTOR, RED LED NAVIGATION LIGHTS, 9V |
| M520AB-WH | 2.5" TURBOHEAD REFLECTOR, WHITE LED NAVIGATION LIGHTS, 9V |
| M520B-BL | 2.5" TURBOHEAD REFLECTOR, BLUE LED NAVIGATION LIGHTS, 9V PARALLEL SERIAL |
| M520B-RD | 2.5" TURBOHEAD REFLECTOR, RED LED NAVIGATION LIGHTS, 9V PARALLEL SERIAL |
| M520B-WH | 2.5" TURBOHEAD REFLECTOR, WHITE LED NAVIGATION LIGHTS, 9V PARALLEL SERIAL |

DEDICATED FOREND WEAPONLIGHTS FOR HK G36K

| | |
|-----------|---|
| M560A-BL | BLUE LED NAVIGATION LIGHTS, 9V |
| M560A-RD | RED LED NAVIGATION LIGHTS, 9V |
| M560A-WH | WHITE LED NAVIGATION LIGHTS, 9V |
| M560AB-BL | 2.5" TURBOHEAD REFLECTOR, BLUE LED NAVIGATION LIGHTS, 9V |
| M560AB-RD | 2.5" TURBOHEAD REFLECTOR, RED LED NAVIGATION LIGHTS, 9V |
| M560AB-WH | 2.5" TURBOHEAD REFLECTOR, WHITE LED NAVIGATION LIGHTS, 9V |
| M560B-BL | 2.5" TURBOHEAD REFLECTOR, BLUE LED NAVIGATION LIGHTS, 9V PARALLEL SERIAL |
| M560B-RD | 2.5" TURBOHEAD REFLECTOR, RED LED NAVIGATION LIGHTS, 9V PARALLEL SERIAL |
| M560B-WH | 2.5" TURBOHEAD REFLECTOR, WHITE LED NAVIGATION LIGHTS, 9V PARALLEL SERIAL |

DEDICATED FOREND WEAPONLIGHTS FOR HK G36

| | |
|-----------|---|
| M570A-BL | BLUE LED NAVIGATION LIGHTS, 9V |
| M570A-RD | RED LED NAVIGATION LIGHTS, 9V |
| M570A-WH | WHITE LED NAVIGATION LIGHTS, 9V |
| M570AB-BL | 2.5" TURBOHEAD REFLECTOR, BLUE LED NAVIGATION LIGHTS, 9V |
| M570AB-RD | 2.5" TURBOHEAD REFLECTOR, RED LED NAVIGATION LIGHTS, 9V |
| M570AB-WH | 2.5" TURBOHEAD REFLECTOR, WHITE LED NAVIGATION LIGHTS, 9V |
| M570B-BL | 2.5" TURBOHEAD REFLECTOR, BLUE LED NAVIGATION LIGHTS, 9V PARALLEL SERIAL |
| M570B-RD | 2.5" TURBOHEAD REFLECTOR, RED LED NAVIGATION LIGHTS, 9V PARALLEL SERIAL |
| M570B-WH | 2.5" TURBOHEAD REFLECTOR, WHITE LED NAVIGATION LIGHTS, 9V PARALLEL SERIAL |

DEDICATED FOREND WEAPONLIGHTS FOR HK SUBMACHINEGUNS

| | |
|-----|-----------------------------------|
| 627 | 6V WITH ADJUSTABLE OFFSET ADAPTER |
| 628 | 6V STANDARD MODEL |

| | |
|------|--|
| 628F | 6V, CONSTANT-ON ROCKER |
| 628G | 6V, DISABLE ROCKER |
| 628K | 6V, WATERPROOF |
| 629 | 6V, DUAL SWITCH |
| 629F | 6V, DUAL SWITCH AND CONSTANT-ON ROCKER |

CLASSIC UNIVERSAL WEAPONLIGHTS FOR M4/AR15, BARREL MOUNT (AHEAD OF FRONT SIGHT)

| | |
|-----|---|
| 660 | 6V, XM SWITCH WITH CONSTANT ON/OFF AND MOMENTARY SWITCH, 7" CABLE |
| 960 | 9V, XM SWITCH WITH CONSTANT ON/OFF AND MOMENTARY SWITCH, 7" CABLE |

CLASSIC UNIVERSAL WEAPONLIGHTS FOR M16/AR15/M4, FRONT SIGHT MOUNT

| | |
|-----|---|
| 674 | 6V, XM SWITCH WITH CONSTANT ON/OFF AND MOMENTARY SWITCH, 5" CABLE |
| 678 | 6V, XM SWITCH WITH CONSTANT ON/OFF AND MOMENTARY SWITCH, 7" CABLE |
| 974 | 9V, XM SWITCH WITH CONSTANT ON/OFF AND MOMENTARY SWITCH, 5" CABLE |

CLASSIC UNIVERSAL WEAPONLIGHTS FOR M16/AR15/M4, OFFSET FRONT SIGHT MOUNT

| | |
|-----|---|
| 676 | 6V, XM SWITCH WITH CONSTANT ON/OFF AND MOMENTARY SWITCH, 7" CABLE |
| 976 | 9V, XM SWITCH WITH CONSTANT ON/OFF AND MOMENTARY SWITCH, 7" CABLE |

CLASSIC UNIVERSAL WEAPONLIGHTS FOR H&K MP5, MP5N, MP5K, MP5K-PDW, COCKING TUBE MOUNT

| | |
|-----|---|
| 687 | 6V, XM SWITCH WITH CONSTANT ON/OFF AND MOMENTARY SWITCH, 4" CABLE |
| 690 | 6V, XM SWITCH WITH CONSTANT ON/OFF AND MOMENTARY SWITCH, 4" CABLE |
| 691 | 6V, XM SWITCH WITH CONSTANT ON/OFF AND MOMENTARY SWITCH, 4" CABLE |
| 991 | 9V, XM SWITCH WITH CONSTANT ON/OFF AND MOMENTARY SWITCH, 4" CABLE |

CLASSIC UNIVERSAL WEAPONLIGHTS FOR H&K MP5-SD, SUPPRESSOR MOUNT

| | |
|-----|---|
| 696 | 6V, XM SWITCH WITH CONSTANT ON/OFF AND MOMENTARY SWITCH, 4" CABLE |
| 996 | 9V, XM SWITCH WITH CONSTANT ON/OFF AND MOMENTARY SWITCH, 4" CABLE |

CLASSIC UNIVERSAL WEAPONLIGHTS FOR HK53, HK93, COCKING TUBE MOUNT

| | |
|-----|---|
| 670 | 6V, XM SWITCH WITH CONSTANT ON/OFF AND MOMENTARY SWITCH, 4" CABLE |
| 671 | 6V, XM SWITCH WITH CONSTANT ON/OFF AND MOMENTARY SWITCH, 4" CABLE |
| 672 | 6V, XM SWITCH WITH CONSTANT ON/OFF AND MOMENTARY SWITCH, 9" CABLE |

CLASSIC UNIVERSAL WEAPONLIGHT FOR HK94 SUPPRESSED, COCKING TUBE MOUNT

| | |
|-----|---|
| 692 | 6V, XM SWITCH WITH CONSTANT ON/OFF AND MOMENTARY SWITCH, 3" CABLE |
|-----|---|

CLASSIC UNIVERSAL WEAPONLIGHT FOR SPRINGFIELD ARMORY M1A, BARREL MOUNT

| | |
|-----|--|
| 681 | 6V, XM SWITCH WITH CONSTANT ON/OFF AND MOMENTARY SWITCH, 10" CABLE |
|-----|--|

CLASSIC UNIVERSAL WEAPONLIGHTS FOR STEYR AUG, BARREL MOUNT

| | |
|-----|--|
| 673 | 6V, XM SWITCH WITH CONSTANT ON/OFF AND MOMENTARY SWITCH, 8" CABLE |
| 683 | 6V, XM SWITCH WITH CONSTANT ON/OFF AND MOMENTARY SWITCH, 10" CABLE |
| 983 | 9V, XM SWITCH WITH CONSTANT ON/OFF AND MOMENTARY SWITCH, 10" CABLE |

CLASSIC UNIVERSAL WEAPONLIGHTS FOR UZI, BARREL MOUNT

| | |
|-----|---|
| 657 | 6V, XM SWITCH WITH CONSTANT ON/OFF AND MOMENTARY SWITCH, 3" CABLE |
|-----|---|

| | |
|-----|---|
| 684 | 6V, XM SWITCH WITH CONSTANT ON/OFF AND MOMENTARY SWITCH, 3" CABLE |
|-----|---|

CLASSIC UNIVERSAL WEAPONLIGHTS, WITHOUT MOUNTS

| | |
|----------|---|
| 650-UMxx | 6V WEAPONLIGHT, UM SWITCH HOUSING, PLUG-IN REMOTE SWITCH NOT INCLUDED |
| 950-UMxx | 9V WEAPONLIGHT, UM SWITCH HOUSING, PLUG-IN REMOTE SWITCH NOT INCLUDED |
| 650-XMxx | 6V WEAPONLIGHT, XM SWITCH HOUSING, PLUG-IN REMOTE SWITCH NOT INCLUDED |
| 950-XMxx | 9V WEAPONLIGHT, XM SWITCH HOUSING, PLUG-IN REMOTE SWITCH NOT INCLUDED |

ADAPTERS AND MOUNTS, CLASSIC UNIVERSAL WEAPONLIGHTS

| | |
|-----|---|
| A11 | PLUG, FITS ALL SHOTGUN FOREND HOUSINGS |
| A12 | ADAPTER, LITHIUM BATTERY, FOR CLASSIC WEAPONLIGHTS AND LASER SYSTEMS |
| A13 | ADAPTER, NI-CAD BATTERY, FOR CLASSIC WEAPONLIGHTS (TRAINING PURPOSES ONLY) |
| A15 | ADAPTER, OFFSET, FOR CLASSIC WEAPONLIGHT SYSTEMS |
| A16 | ADAPTER, OFFSET, DUAL MODULE FOR CLASSIC WEAPONLIGHT SYSTEMS |
| A17 | ADAPTER, ADJUSTABLE OFFSET MOUNT, FOR CLASSIC WEAPONLIGHT SYSTEMS |
| A21 | ADAPTER, UNIVERSAL HOUSING FOR CLASSIC WEAPONLIGHT SYSTEMS |
| M10 | MOUNT, WEAVER, 1" RING |
| M11 | MOUNT, WEAVER, 26mm RING |
| M12 | MOUNT, WEAVER, MAGAZINE EXTENSION |
| M13 | MOUNT, WEAVER, MP5SD |
| M15 | MOUNT, 6P FIREFIGHTER HELMET |
| M16 | MOUNT, COLT RIFLES (BENEATH FRONT SIGHT AND BEHIND BAYONET LUG) |
| M17 | MOUNT, DUAL 1" RING (SHOTGUN BARREL) |
| M18 | MOUNT, WEAVER BASE, FOR HK MP5 FOREND |
| M19 | MOUNT, 1" RING, REM. 1100/1187 |
| M20 | DUAL MALE WEAVER MOUNT |
| M21 | MOUNT, UNIVERSAL HOUSING TO HK SMGs |
| M22 | MOUNT, A15/A16 TO HK SMGs |
| M23 | MOUNT, UNIVERSAL HOUSING TO MP5SD 1.60" |
| M24 | MOUNT, A15/A16 TO MP5K, 1.3" SUP |
| M25 | MOUNT, UNIVERSAL HOUSING TO COLT AR-15 |
| M26 | MOUNT, A15/A16 TO COLT SMGs |
| M27 | MOUNT, UNIVERSAL HOUSING TO STEYR AUG |
| M28 | MOUNT, A15/A16 TO STEYR AUG |
| M30 | MOUNT, A15/A16 TO HK MP5, 2" SUPPRESSOR |
| M31 | MOUNT, WEAVER, 1" RING, HIGH |
| M32 | MOUNT, A15/A16 TO UZI BARREL |
| M34 | MOUNT, 8NX F/L TO COLT SMGs |
| M35 | MOUNT, MALE WEAVER, 1, HIGH |
| M36 | MOUNT, MALE WEAVER, 1.6, HIGH |
| M37 | MOUNT, UNIVERSAL HOUSING TO MP5SD 1.38 |
| M38 | MOUNT, WEAVER, 30mm RING, HIGH |
| M46 | MOUNT, WEAVER, 1.062" RING |
| M78 | MOUNT, WEAVER/PICATINNY 0.8" DIAM. RING ATTACHES EXEC. SERIES FLASHLIGHTS TO RAIL |
| M79 | MOUNT, WEAVER/PICATINNY 1.0" DIAM. RING ATTACHES CLASSIC UNIVERSAL WEAPONLIGHTS TO RAIL |

SWITCHES, LONG GUN WEAPONLIGHTS

| | |
|------|--|
| UE07 | UE SWITCH HOUSING ONLY, SCOUT LIGHT SYSTEMS |
| UM00 | UM SWITCH HOUSING ONLY, CLASSIC AND MILLENNIUM UNIVERSAL WEAPONLIGHT SYSTEMS |
| XM00 | XM SWITCH HOUSING ONLY, CLASSIC AND MILLENNIUM UNIVERSAL WEAPONLIGHT SYSTEMS |
| ST02 | UE/UM/XM REMOTE SWITCH PAD, 2" CABLE |
| ST03 | UE/UM/XM REMOTE SWITCH PAD, 3" CABLE |
| ST04 | UE/UM/XM REMOTE SWITCH PAD, 4" CABLE |
| ST05 | UE/UM/XM REMOTE SWITCH PAD, 5" CABLE |
| ST06 | UE/UM/XM REMOTE SWITCH PAD, 6" CABLE |
| ST07 | UE/UM/XM REMOTE SWITCH PAD, 7" CABLE |
| ST08 | UE/UM/XM REMOTE SWITCH PAD, 8" CABLE |
| ST10 | UE/UM/XM REMOTE SWITCH PAD, 10" CABLE |
| ST12 | UE/UM/XM REMOTE SWITCH PAD, 12" CABLE |
| ST14 | UE/UM/XM REMOTE SWITCH PAD, 14" CABLE |
| ST16 | UE/UM/XM REMOTE SWITCH PAD, 16" CABLE |
| ST18 | UE/UM/XM REMOTE SWITCH PAD, 16" CABLE |
| Z68 | PUSHBUTTON CLICK ON/OFF SWITCH, SCOUT LIGHT |

X200 HANDGUN WEAPONLIGHTS

| | |
|-------|---|
| X200A | 6V, 3 WATT LED, TIR FOCUSING LENS, UNIVERSAL PUSH/TOGGLE SWITCH |
| X200B | 6V, 5 WATT LED, REFLECTOR-FOCUSED, UNIVERSAL PUSH/TOGGLE SWITCH |

MILITARY HANDGUN WEAPONLIGHTS

| | |
|----------|--|
| W111C | 6V, SLIMLINE SWITCH, CONSTANT-ON PUSH-BUTTON, GLOCK, DEEP SUBMERSIBLE |
| W111D | 6V, SLIMLINE SWITCH, DISABLE PUSH-BUTTON, GLOCK, DEEP SUBMERSIBLE |
| W112C | 6V, SLIMLINE SWITCH, CONSTANT-ON PUSH-BUTTON, SPRINGFIELD XD, DEEP SUBMERSIBLE |
| W112D | 6V, SLIMLINE SWITCH, DISABLE PUSH-BUTTON, SPRINGFIELD XD, DEEP SUBMERSIBLE |
| W113C | 6V, SLIMLINE SWITCH, CONSTANT-ON PUSH-BUTTON, SIG 220, DEEP SUBMERSIBLE |
| W113D | 6V, SLIMLINE SWITCH, DISABLE PUSH-BUTTON, SIG 220, DEEP SUBMERSIBLE |
| W114C | 6V, SLIMLINE SWITCH, CONSTANT-ON PUSH-BUTTON, SIG P226, DEEP SUBMERSIBLE |
| W114D | 6V, SLIMLINE SWITCH, DISABLE PUSH-BUTTON, SIG P226, DEEP SUBMERSIBLE |
| W114D-DG | 6V, DG SWITCH, DISABLE PUSH-BUTTON, SIG P226, DEEP SUBMERSIBLE |
| W115C | 6V, SLIMLINE SWITCH, CONSTANT-ON PUSH-BUTTON, HK USP (NOT FOR COMPACT), DEEP SUBMERSIBLE |
| W115D | 6V, SLIMLINE SWITCH, DISABLE PUSH-BUTTON, HK USP (NOT FOR COMPACT), DEEP SUBMERSIBLE |
| W116C | 6V, SLIMLINE SWITCH, CONSTANT-ON PUSH-BUTTON, BERETTA, DEEP SUBMERSIBLE |
| W116D | 6V, SLIMLINE SWITCH, DISABLE PUSH-BUTTON, BERETTA, DEEP SUBMERSIBLE |
| W117C | 6V, SLIMLINE SWITCH, CONSTANT-ON PUSH-BUTTON, 1911, DEEP SUBMERSIBLE |
| W117D | 6V, SLIMLINE SWITCH, DISABLE PUSH-BUTTON, 1911, DEEP SUBMERSIBLE |

NITROLON HANDGUN WEAPONLIGHTS

| | |
|-------|---|
| P001 | 6V, CONSTANT ON/OFF PUSH-BUTTON SWITCH, NO RAIL INTERFACE ADAPTER |
| P101 | 6V, CONSTANT ON/OFF PUSH-BUTTON SWITCH, GLOCK, INTERFACE ADAPTER INCL. |
| P102 | 6V, CONSTANT ON/OFF PUSH-BUTTON SWITCH, SPRINGFIELD XD, INTERFACE ADAPTER INCL. |
| P103 | 6V, CONSTANT ON/OFF PUSH-BUTTON SWITCH, SIG 220, INTERFACE ADAPTER INCL. |
| P104 | 6V, CONSTANT ON/OFF PUSH-BUTTON SWITCH, SIG 226, INTERFACE ADAPTER INCL. |
| P105 | 6V, CONSTANT ON/OFF PUSH-BUTTON SWITCH, USP 45, INTERFACE ADAPTER INCL. |
| P106 | 6V, CONSTANT ON/OFF PUSH-BUTTON SWITCH, BERETTA, INTERFACE ADAPTER INCL. |
| P107 | 6V, CONSTANT ON/OFF PUSH-BUTTON SWITCH, 1911, INTERFACE ADAPTER INCL. |
| P111C | 6V, SLIMLINE SWITCH, CONSTANT-ON PUSH-BUTTON, GLOCK, INTERFACE ADAPTER INCL. |

| | |
|----------|--|
| P111D | 6V, SLIMLINE SWITCH, DISABLE PUSH-BUTTON, GLOCK, INTERFACE ADAPTER INCL. |
| P112C | 6V, SLIMLINE SWITCH, CONSTANT-ON PUSH-BUTTON, SPRINGFIELD XD, INTERFACE ADAPTER INCL. |
| P112D | 6V, SLIMLINE SWITCH, DISABLE PUSH-BUTTON, SPRINGFIELD XD, INTERFACE ADAPTER INCL. |
| P113C | 6V, SLIMLINE SWITCH, CONSTANT-ON PUSH-BUTTON, SIG 220, INTERFACE ADAPTER INCL. |
| P113D | 6V, SLIMLINE SWITCH, DISABLE PUSH-BUTTON, SIG 220, INTERFACE ADAPTER INCL. |
| P114C | 6V, SLIMLINE SWITCH, CONSTANT-ON PUSH-BUTTON, SIG 226, 228, 229, INTERFACE ADAPTER INCL. |
| P114D | 6V, SLIMLINE SWITCH, DISABLE PUSH-BUTTON, SIG 226, 228, 229, INTERFACE ADAPTER INCL. |
| P114C-DG | 6V, DEV GROUP SWITCH, CONSTANT-ON PUSH-BUTTON, SIG 226, 228, 229, INTERFACE ADAPTER INCL. |
| P114D-DG | 6V, DEV GROUP SWITCH, DISABLE PUSH-BUTTON, SIG 226, 228, 229, INTERFACE ADAPTER INCL. |
| P115C | 6V, SLIMLINE SWITCH, CONSTANT-ON PUSH-BUTTON, HK USP (NOT FOR COMPACT), INTERFACE ADAPTER INCL. |
| P115D | 6V, SLIMLINE SWITCH, DISABLE PUSH-BUTTON, HK USP, SLIMLINE, (NOT FOR COMPACT), INTERFACE ADAPTER INCL. |
| P116C | 6V, SLIMLINE SWITCH, CONSTANT-ON PUSH-BUTTON, BERETTA, INTERFACE ADAPTER INCL. |
| P116D | 6V, SLIMLINE SWITCH, DISABLE PUSH-BUTTON, BERETTA, INTERFACE ADAPTER INCL. |
| P116D-DG | 6V, DG SWITCH, DISABLE PUSH-BUTTON, BERETTA 92/96, INTERFACE ADAPTER INCL. |
| P117C | 6V, SLIMLINE SWITCH, CONSTANT-ON PUSH-BUTTON, 1911, INTERFACE ADAPTER INCL. |
| P117D | 6V, SLIMLINE SWITCH, DISABLE PUSH-BUTTON, 1911, INTERFACE ADAPTER INCL. |

RAIL ADAPTERS FOR MILITARY AND NITROLON SERIES WEAPONLIGHTS

| | |
|------|---|
| MR01 | RAIL ADAPTER, GLOCK 17, 21, 22 |
| MR02 | RAIL ADAPTER, SPRINGFIELD XD |
| MR03 | RAIL ADAPTER, SIG 220 |
| MR04 | RAIL ADAPTER, SIG 226, 228, 229 |
| MR05 | RAIL ADAPTER, HECKLER & KOCH USP 9/40/45, STANDARD |
| MR06 | RAIL ADAPTER, BERETTA 92/96 FS |
| MR07 | RAIL ADAPTER, ALUMINUM, ALL STANDARD 1911 GOVERNMENT MODELS |

RAIL ADAPTERS FOR X200 SERIES WEAPONLIGHTS

| | |
|------|--|
| MR07 | RAIL ADAPTER, ALUMINUM, ALL STANDARD 1911 GOVERNMENT MODELS |
| MR08 | RAIL ADAPTER, ALUMINUM, HECKLER & KOCH USP 40/45, COMPACT |
| MR09 | RAIL ADAPTER, ALUMINUM, HECKLER & KOCH USP 9/40/45, STANDARD |
| MR10 | RAIL ADAPTER, ALUMINUM, BERETTA M9/92/96 FS |
| MR11 | RAIL ADAPTER, ALUMINUM, BERETTA 92/96 FS |

X200A SWITCH OPTIONS

| | |
|-------|--|
| DG-11 | DG SWITCH, PUSH/TOGGLE, GLOCK |
| DG-14 | DG SWITCH, PUSH/TOGGLE, SIG 226, 228, 229 |
| DG-15 | DG SWITCH, PUSH/TOGGLE, HECKLER & KOCH USP 9/40/45, STANDARD |
| DG-17 | DG SWITCH, PUSH/TOGGLE, 1911 WITH MR07 MOUNT |
| DG-18 | DG SWITCH, PUSH/TOGGLE, 1911 WITH INTEGRATED RAIL MOUNT |
| SL-11 | SLIMLINE SWITCH, PUSH/TOGGLE, GLOCK |
| SL-13 | SLIMLINE SWITCH, PUSH/TOGGLE, SIG 220 |
| SL-14 | SLIMLINE SWITCH, PUSH/TOGGLE, SIG 226, 228, 229 |
| SL-15 | SLIMLINE SWITCH, PUSH/TOGGLE, HECKLER & KOCH USP 9/40/45, STANDARD |
| SL-16 | SLIMLINE SWITCH, PUSH/TOGGLE, BERETTA VERTEC |
| SL-17 | SLIMLINE SWITCH, PUSH/TOGGLE, 1911 WITH MR07 MOUNT |
| SL-18 | SLIMLINE SWITCH, PUSH/TOGGLE, 1911 WITH INTERGRATED RAIL MOUNT |
| TG-11 | TRIGGER GUARD SWITCH, PUSH/TOGGLE, GLOCK |
| TG-13 | TRIGGER GUARD SWITCH, PUSH/TOGGLE, SIG 220 |
| TG-14 | TRIGGER GUARD SWITCH, PUSH/TOGGLE, SIG 226, 228, 229 |

| | |
|-------|---|
| TG-15 | TRIGGER GUARD SWITCH, PUSH/TOGGLE, FOR FULL SIZE HK USP 9/40/45 USING SF RAIL ADAPTER |
| TG-16 | TRIGGER GUARD SWITCH, PUSH/TOGGLE, BERETTA VERTEC |
| TG-17 | TRIGGER GUARD SWITCH, PUSH/TOGGLE, FOR 1911 USING SF RAIL ADAPTER |

SOUND SUPPRESSORS

| | |
|------------|--|
| FA556AR-BK | M4/M16, 5.56 MM FAST-ATTACH HIGH ENDURANCE SOUND SUPPRESSOR, FLAT BLACK |
| FA556K -BK | M4/M16, 5.56 MM FAST-ATTACH HIGH ENDURANCE SOUND SUPPRESSOR, FLAT BLACK |
| FA68AR-BK | 6.8 MM FAST-ATTACH HIGH ENDURANCE SOUND SUPPRESSOR, FLAT BLACK |
| FA762MG-BK | M240/MAG58/MK48, 7.62 MM FAST-ATTACH HIGH ENDURANCE SOUND SUPPRESSOR, FLAT BLACK |
| FA762SS-BK | 7.62 MM FAST-ATTACH HIGH ENDURANCE SOUND SUPPRESSOR, FLAT BLACK |

PICATINNY RAIL SYSTEM FORENDS

| | |
|-----|--|
| M63 | RAIL MOUNT, MP5 |
| M69 | RAIL MOUNT, REMINGTON 870 |
| M70 | RAIL MOUNT, MOSSBERG 500/590 |
| M72 | RAIL MOUNT, M16, ROUND HAND GUARD CAP |
| M73 | RAIL MOUNT, M4 |
| M77 | RAIL MOUNT, MP5K-PDW, MP5K, SP89 |
| M80 | RAIL MOUNT, BENELLI M4 |
| M81 | RAIL MOUNT, M4/M16 MID LENGTH UPPER RECEIVER |
| M82 | RAIL MOUNT, M16, TRIANGULAR HAND GUARD CAP |
| M83 | RAIL MOUNT, AK-47 |

LASER SIGHTS AND SYSTEMS

| | |
|----------|--|
| L72 | LASER SIGHT MODULE, 635 NM, VISIBLE RED LASER |
| L75 | LASER SIGHT MODULE, 830 NM, INFRARED LASER |
| 460 | DUAL TACTICAL LIGHT AND LASER SYSTEM, COLT CAR15/16, 4" & 5" MOMENTARY TAPE SWITCH |
| 490 | DUAL TACTICAL LIGHT AND LASER SYSTEM, HK MP5K-PDW, 4" MOMENTARY TAPE SWITCH |
| 491 | DUAL TACTICAL LIGHT AND LASER SYSTEM, HK MP5K-PDW, 4" MOMENTARY TAPE SWITCH |
| 550-UMxx | LASER SIGHT, UM SWITCH HOUSING ONLY, NO MOUNTS, PLUG-IN SWITCH NOT INCLUDED |
| 560 | LASER SIGHT, COLT CAR15, CAR16, 4" MOMENTARY TAPE SWITCH |
| 569 | LASER SIGHT, HK MP5SD, MP5N w/SUPPRESSOR, 4" MOMENTARY TAPE SWITCH |
| 576 | LASER SIGHT, COLT SMG, CAR15, M16, 5" MOMENTARY TAPE SWITCH |
| 594 | LASER SIGHT, HK MP5 NAVY SUPPRESSOR, 4" MOMENTARY TAPE SWITCH |
| 599 | LASER SIGHT, HK G3, HK91, 7" MOMENTARY TAPE SWITCH |

ADVANCED RECHARGEABLE FLASHLIGHTS

| | |
|-----------|---|
| 10X000 | 10X DOMINATOR (DUAL LAMP) WITHOUT CHARGER, INCL. 1 BATTERY |
| 10X911 | 10X DOMINATOR (DUAL LAMP) INCL. 1 BATTERY, CHARGER, AC & DC ADAPTERS, USA |
| 10X921 | 10X DOMINATOR (DUAL LAMP) INCL.1 BATTERY, CHARGER, AC & DC ADAPTERS, UK |
| 10X931 | 10X DOMINATOR (DUAL LAMP) INCL. 1 BATTERY, CHARGER, AC & DC ADAPTERS, EURO |
| 10X941 | 10X DOMINATOR (DUAL LAMP) INCLU. 1 BATTERY, CHARGER, AC & DC ADAPTERS, AUS |
| 8AX000-BK | 8AX COMMANDER, HARD ANO. BLACK - WITHOUT CHARGER, INCL. 1 BATTERY |
| 8AX000-HA | 8AX COMMANDER, HARD ANO. GRAY - WITHOUT CHARGER, INCL. 1 BATTERY |
| 8AX415-BK | 8AX COMMANDER, HARD ANO. BLACK - INCL. 2 BATTERIES, CHARGER, AC & DC ADAPTERS, USA |
| 8AX415-HA | 8AX COMMANDER, HARD ANO. GRAY - INCL. 2 BATTERIES, CHARGER, AC & DC ADAPTERS, USA |
| 8AX425-BK | 8AX COMMANDER, HARD ANODIZED BLACK - INCL. 2 BATTERIES, CHARGER, AC & DC ADAPTERS, UK |
| 8AX425-HA | 8AX COMMANDER, HARD ANO. GRAY - INCL. 2 BATTERIES, CHARGER, AC & DC ADAPTERS, UK |

| | |
|--------------|---|
| 8AX435-BK | 8AX COMMANDER, HARD ANO. BLACK - INCL. 2 BATTERIES, CHARGER, AC & DC ADAPTERS, EURO |
| 8AX435-HA | 8AX COMMANDER, HARD ANO. GRAY - INCL. 2 BATTERIES, CHARGER, AC & DC ADAPTERS, EURO |
| 8AX445-BK | 8AX COMMANDER, HARD ANO. BLACK - INCL. 2 BATTERIES, CHARGER, AC & DC ADAPTERS, AUS |
| 8AX445-HA | 8AX COMMANDER, HARD ANO. GRAY - INCL. 2 BATTERIES, CHARGER, AC & DC ADAPTERS, AUS |
| 8NX000-BK | 8NX NITROLON, BLACK - WITHOUT CHARGER, INCL. 1 BATTERY |
| 8NX000-OD | 8NX NITROLON, OD GREEN - WITHOUT CHARGER, INCL. 1 BATTERY |
| 8NX000-YL | 8NX NITROLON, YELLOW - WITHOUT CHARGER, INCL. 1 BATTERY |
| 8NX415-BK | 8NX NITROLON, BLACK - INCL. 2 BATTERIES, CHARGER, AC & DC ADAPTERS, USA |
| 8NX415-OD | 8NX NITROLON, OD GREEN - INCL. 2 BATTERIES, CHARGER, AC & DC ADAPTERS, USA |
| 8NX415-YL | 8NX NITROLON, YELLOW - INCL. 2 BATTERIES, CHARGER, AC & DC ADAPTERS, USA |
| 8NX425-BK | 8NX NITROLON, BLACK - INCL. 2 BATTERIES, CHARGER, AC & DC ADAPTERS, UK |
| 8NX425-OD | 8NX NITROLON, OD GREEN - INCL. 2 BATTERIES, CHARGER, AC & DC ADAPTERS, UK |
| 8NX425-YL | 8NX NITROLON, YELLOW - INCL. 2 BATTERIES, CHARGER, AC & DC ADAPTERS, UK |
| 8NX435-BK | 8NX NITROLON, BLACK - INCL. 2 BATTERIES, CHARGER, AC & DC ADAPTERS, EURO |
| 8NX435-OD | 8NX NITROLON, OD GREEN - INCL. 2 BATTERIES, CHARGER, AC & DC ADAPTERS, EURO |
| 8NX435-YL | 8NX NITROLON, YELLOW - INCL. 2 BATTERIES, CHARGER, AC & DC ADAPTERS, EURO |
| 8NX445-BK | 8NX NITROLON, BLACK - INCL. 2 BATTERIES, CHARGER, AC & DC ADAPTERS, AUS |
| 8NX445-OD | 8NX NITROLON, OD GREEN - INCL. 2 BATTERIES, CHARGER, AC & DC ADAPTERS, AUS |
| 8NX445-YL | 8NX NITROLON, YELLOW - INCL. 2 BATTERIES, CHARGER, AC & DC ADAPTERS, AUS |
| 9AN000-BK | 9AN COMMANDER (DUAL LAMP), HARD ANO. BLACK - WITHOUT CHARGER, INCL. 1 BATTERY |
| 9AN000-HA | 9AN COMMANDER (DUAL LAMP), HARD ANO. GRAY - WITHOUT CHARGER, INCL. 1 BATTERY |
| 9AN415-BK | 9AN COMMANDER (DUAL LAMP), HARD ANO. BLACK - INCL. 2 BATTERIES, CHARGER, AC & DC ADAPTERS, USA |
| 9AN415-HA | 9AN COMMANDER (DUAL LAMP), HARD ANO. GRAY - INCL. 2 BATTERIES, CHARGER, AC & DC ADAPTERS, USA |
| 9AN425-BK | 9AN COMMANDER (DUAL LAMP), HARD ANO. BLACK - INCL. 2 BATTERIES, CHARGER, AC & DC ADAPTERS, UK |
| 9AN425-HA | 9AN COMMANDER (DUAL LAMP), HARD ANO. GRAY - INCL. 2 BATTERIES, CHARGER, AC & DC ADAPTERS, UK |
| 9AN435-BK | 9AN COMMANDER (DUAL LAMP), HARD ANO. BLACK - INCL. 2 BATTERIES, CHARGER, AC & DC ADAPTERS, EURO |
| 9AN435-HA | 9AN COMMANDER (DUAL LAMP), HARD ANO. GRAY - INCL. 2 BATTERIES, CHARGER, AC & DC ADAPTERS, EURO |
| 9AN445-BK | 9AN COMMANDER (DUAL LAMP), HARD ANO. BLACK - INCL. 2 BATTERIES, CHARGER, AC & DC ADAPTERS, AUS |
| 9AN445-HA | 9AN COMMANDER (DUAL LAMP), HARD ANO. GRAY - INCL. 2 BATTERIES, CHARGER, AC & DC ADAPTERS, AUS |
| L7-415-BK-WH | L7, 5W LED, HARD ANO. BLACK - INCL. 2 BATTERIES, CHARGER, AC & DC ADAPTERS, USA |
| L7-415-HA-WH | L7, 5W LED, HARD ANO. - INCL. 2 BATTERIES, CHARGER, AC & DC ADAPTERS, USA |
| L7-425-BK-WH | L7, 5W LED, HARD ANO. BLACK - INCL. 2 BATTERIES, CHARGER, AC & DC ADAPTERS, UK |
| L7-425-HA-WH | L7, 5W LED, HARD ANO. - INCL. 2 BATTERIES, CHARGER, AC & DC ADAPTERS, UK |
| L7-435-BK-WH | L7, 5W LED, HARD ANO. BLACK - INCL. 2 BATTERIES, CHARGER, AC & DC ADAPTERS, EURO |
| L7-435-HA-WH | L7, 5W LED, HARD ANO. - INCL. 2 BATTERIES, CHARGER, AC & DC ADAPTERS, EURO |
| L7-445-BK-WH | L7, 5W LED, HARD ANO. BLACK - INCL. 2 BATTERIES, CHARGER, AC & DC ADAPTERS, AUS |
| L7-445-HA-WH | L7, 5W LED, HARD ANO. - INCL. 2 BATTERIES, CHARGER, AC & DC ADAPTERS, AUS |

6P ORIGINAL FLASHLIGHTS

| | |
|--------|--|
| 6P-BK | 6P ORIGINAL, BLACK |
| 6P-GM | 6P ORIGINAL, GUNMETAL GRAY |
| 6PN-BK | 6P ORIGINAL, BLACK, WATERPROOF TESTED TO U.S. NAVY SPECS |

DIGITAL PLUS SERIES FLASHLIGHTS

| | |
|----------|---|
| A2-HA-RD | AVIATOR, HARD ANO., DUAL-LEVEL SWITCH, RED LEDs & 1 TUNGSTEN LAMP |
| A2-HA-BL | AVIATOR, HARD ANO., DUAL-LEVEL SWITCH, BLUE LEDs & 1 TUNGSTEN LAMP |
| A2-HA-GN | AVIATOR, HARD ANO., DUAL-LEVEL SWITCH, GREEN LEDs & 1 TUNGSTEN LAMP |
| A2-HA-WH | AVIATOR, HARD ANO., DUAL-LEVEL SWITCH, WHITE LEDs & 1 TUNGSTEN LAMP |

A2-HA-YG AVIATOR, HARD ANO., DUAL-LEVEL SWITCH, YELLOW/GREEN LEDs & 1 TUNGSTEN LAMP, NVG COMPATIBLE

COMBATLIGHT™ TACTICAL FLASHLIGHTS (6-VOLT)

C2-BK CENTURION COMBATLIGHT, BLACK
G2Z-BK COMBATLIGHT, NITROLON, BLACK
G2Z-OD COMBATLIGHT, NITROLON, OLIVE DRAB
G2Z-TN COMBATLIGHT, NITROLON, TAN
Z2-BK COMBATLIGHT, BLACK

COMBATLIGHT™ TACTICAL FLASHLIGHTS (9-VOLT)

C3-BK CENTURION COMBATLIGHT, BLACK
C3-HA CENTURION COMBATLIGHT, HARD ANO.

EXECUTIVE SERIES FLASHLIGHTS

E1E-BK E1E EXECUTIVE ELITE, BLACK HARD ANO., BOXED
E1E-HA E1E EXECUTIVE ELITE, HARD ANO., BOXED
E1L-HA E1L OUTDOORSMAN, THREE WATT WHITE LED, HARD ANO.
E2L-HA E2L OUTDOORSMAN, THREE WATT WHITE LED, HARD ANO.
E2E-BK E2E EXECUTIVE ELITE, BLACK HARD ANODIZED
E2E-HA E2E EXECUTIVE ELITE, HARD ANODIZED

G2 NITROLON SERIES FLASHLIGHTS

G2-BK NITROLON, BLACK
G2-OD NITROLON, OD GREEN
G2-TN NITROLON, TAN
G2-YL NITROLON, YELLOW

LUMAMAX LED DIGITAL SERIES FLASHLIGHTS

L1-HA-BL L1 LUMAMAX DIGITALLY CONTROLLED DUAL-LEVEL THREE WATT BLUE LED, HARD ANODIZED
L1-HA-RD L1 LUMAMAX DIGITALLY CONTROLLED DUAL-LEVEL THREE WATT RED LED, HARD ANODIZED
L1-HA-WH L1 LUMAMAX DIGITALLY CONTROLLED DUAL-LEVEL THREE WATT WHITE LED, HARD ANODIZED
L1-HA-GN L1 LUMAMAX DIGITALLY CONTROLLED DUAL-LEVEL THREE WATT GREEN LED, HARD ANODIZED
L4-HA-WH L4 LUMAMAX DIGITALLY CONTROLLED FIVE-WATT WHITE LED, HARD ANODIZED
L5-HA-WH L5 LUMAMAX DIGITALLY CONTROLLED FIVE-WATT WHITE LED, HARD ANODIZED
L6-HA-WH L6 LUMAMAX DIGITALLY CONTROLLED FIVE-WATT WHITE LED, HARD ANODIZED
U2-BK-WH U2 LUMAMAX DIGITALLY CONTROLLED SIX LEVEL FIVE-WATT WHITE LED, BLACK HARD ANODIZED
KROMA SELECTABLE OUTPUT MULTI-SPECTRUM FLASHLIGHT

MILLENNIUM SERIES SPECIAL OPERATIONS FLASHLIGHTS

M1 INFRARED ILLUMINATOR, 880 nM
M2 6V, WITH TWO LAMP ASSEMBLIES
M3 9V, COMBATLIGHT WITH TWO LAMP ASSEMBLIES
M3-CB 9V, COMBATLIGHT, CRENELATED BEZEL, WITH TWO LAMP ASSEMBLIES
M3T 9V, COMBATLIGHT WITH 2.5" TURBOHEAD REFLECTOR, TWO LAMP ASSEMBLIES
M3T-CB 9V, COMBATLIGHT WITH 2.5" TURBOHEAD, CRENELATED BEZEL, TWO LAMP ASSEMBLIES
M4 12V, DEVASTATOR WITH 2.5" TURBOHEAD REFLECTOR, TWO LAMP ASSEMBLIES
M4-CB 12V, DEVASTATOR WITH 2.5" TURBOHEAD, CRENELATED BEZEL, TWO LAMP ASSEMBLIES
M6 9V PARALLEL SERIAL, M6 2.5" TURBOHEAD REFLECTOR, WITH TWO LAMP ASSEMBLIES

M6-CB 9V PARALLEL SERIAL, M6 2.5" TURBOHEAD, CRENELATED BEZEL, WITH TWO LAMP ASSEMBLIES

HIGH-INTENSITY DISCHARGE ILLUMINATION TOOLS

B1R-BK HID/LED ULTRA HIGH-OUTPUT FLASHLIGHT
HF-1 HID ULTRA HIGH-OUTPUT HAND-HELD SPOTLIGHT
HF M2 HB-240B HID ULTRA HIGH-OUTPUT TARGET ILLUMINATOR FOR HEAVY MACHINE GUNS
M87 MOUNT, HELLFIRE SHORT BARREL MOUNT FOR M2 MACHINE GUN, WITHOUT SHIELD
M88 MOUNT, HELLFIRE BARREL MOUNT FOR M2 MACHINE GUN, WITH SHIELD
M89 MOUNT, HELLFIRE MOUNT FOR MARK 44 MINI GUN, WITH OR WITHOUT SHIELD
UH01 HELLFIRE UNIVERSAL CABLE ASSEMBLY

LED CONVERSION HEADS (NO FLASHLIGHT BODY)

KL1-HA-BL THREE WATT LED CONVERSION HEAD, EXECUTIVE SERIES, HARD ANODIZED, BLUE LED
KL1-HA-GN THREE WATT LED CONVERSION HEAD, EXECUTIVE SERIES, HARD ANODIZED, GREEN LED
KL1-HA-RD THREE WATT LED CONVERSION HEAD, EXECUTIVE SERIES, HARD ANODIZED, RED LED
KL1-HA-WH THREE WATT LED CONVERSION HEAD, EXECUTIVE SERIES, HARD ANODIZED, WHITE LED
KL3-BK-BL THREE WATT LED CONVERSION HEAD FOR 6P, G2, D2, C2, BLACK FINISH, BLUE LED
KL3-BK-GN THREE WATT LED CONVERSION HEAD FOR 6P, G2, D2, C2, BLACK FINISH, GREEN LED
KL3-BK-RD THREE WATT LED CONVERSION HEAD FOR 6P, G2, D2, C2, BLACK FINISH, RED LED
KL3-BK-WH THREE WATT LED CONVERSION HEAD FOR 6P, G2, D2, C2, BLACK FINISH, WHITE LED
KL3-HA-BL THREE WATT LED CONVERSION HEAD FOR 6P, G2, D2, C2, HARD ANODIZED, BLUE LED
KL3-HA-GN THREE WATT LED CONVERSION HEAD FOR 6P, G2, D2, C2, HARD ANODIZED, GREEN LED
KL3-HA-RD THREE WATT LED CONVERSION HEAD FOR 6P, G2, D2, C2, HARD ANODIZED, RED LED
KL3-HA-WH THREE WATT LED CONVERSION HEAD FOR 6P, G2, D2, C2, HARD ANODIZED, WHITE LED
KL4-HA-WH FIVE-WATT LED CONVERSION HEAD, EXECUTIVE SERIES, HARD ANODIZED, WHITE LED
KL5-HA-WH FIVE-WATT LED CONVERSION HEAD FOR 6P, G2, D2, C2, HARD ANODIZED, WHITE LED
KL6-HA-WH FIVE-WATT LED CONVERSION HEAD, M3, M3T, M4, HARD ANODIZED, WHITE LED
KL7-BK-WH FIVE-WATT LED CONVERSION HEAD, 8AX, 8NX, BLACK HARD ANODIZED, WHITE LED
KL7-HA-WH FIVE-WATT LED CONVERSION HEAD, 8AX, 8NX, HARD ANODIZED, WHITE LED

HELMET LIGHT

HL1-A-TN HELMET LIGHT WHITE, BLUE, BLINKING INFRARED, CLAMPS TO MICH HELMET

BATON LIGHTS AND BALLISTIC SHIELD SYSTEMS

3BL ASP BATON LIGHT, 3 VOLT
6BL ASP BATON LIGHT, 6 VOLT
6SL 6V SYSTEM FOR BALLISTIC SHIELD, 25" MOMENTARY TAPE SWITCH
6SLA01 6V SYSTEM FOR BALLISTIC SHIELD, 40" MOMENTARY TAPE SWITCH
9SL 9V SYSTEM FOR BALLISTIC SHIELD, 25" MOMENTARY TAPE SWITCH
9SLA01 9V SYSTEM FOR BALLISTIC SHIELD, 40" MOMENTARY TAPE SWITCH
M39 SHIELD MOUNT, FLAG SWITCH, NO LIGHT

EDGED WEAPONS

EW-04 DELTA FOLDING BLADE KNIFE
EW-06 DELTA FIXED BLADE KNIFE

LITHIUM BATTERIES (SF123A)

| | |
|--------------|--|
| SF12-BB | ONE DOZEN SF123A BATTERIES, BOXED |
| SF2-CB | SF123A CARDED TWO-PACK (SOLD IN UNITS OF 12) |
| SF72-BB | SF123A, 6 BOXES OF 12 BATTERIES |
| SF1200-BULK | SF123A BULK BOX, 1,200 BATTERIES |
| SF400-BULK | SF123A BULK BOX, 400 BATTERIES |
| SF38400-BULK | SF123A, BULK PALLET, 38,400 BATTERIES |
| SF223AC | 6V RECOIL-PROOF LITHIUM BATTERY STICK |
| SF323AC | 9V RECOIL-PROOF LITHIUM BATTERY STICK |
| SF423AC | 12V RECOIL-PROOF LITHIUM BATTERY STICK |

RECHARGEABLE BATTERIES

| | |
|-----|--|
| B20 | BATTERY MODULE FOR 10X |
| B65 | NI-CAD BATTERY ASSEMBLY, 6V SYSTEMS |
| B90 | NI-CAD BATTERY ASSEMBLY, 8AX, 8NX, 9AN SYSTEMS |

FILTERS AND COVERS

| | |
|------|---|
| F03 | SLIP-ON INFRARED FILTER ASSEMBLY FOR EXECUTIVE SERIES AND ALL 1" BEZELS |
| F04 | SLIP-ON BEAMSHAPER ASSEMBLY FOR EXECUTIVE SERIES AND ALL 1" BEZELS |
| F05 | SLIP-ON RED FILTER ASSEMBLY FOR EXECUTIVE SERIES AND ALL 1" BEZELS |
| F06 | SLIP-ON BLUE FILTER ASSEMBLY FOR EXECUTIVE SERIES AND ALL 1" BEZELS |
| F11 | RED FILTER, TIPOFF, CLASSIC SYSTEM TAC LIGHTS WITH 1.34" BEZEL |
| F12 | INFRARED FILTER, TIPOFF, CLASSIC SYSTEM TAC LIGHTS WITH 1.34" BEZEL |
| F13 | PROTECTIVE COVER, TIPOFF, CLASSIC SYSTEM TAC LIGHTS WITH 1.34" BEZEL |
| F38 | TRAFFIC DIRECTING WAND, RED, 9AN ADVANCED RECHARGEABLE |
| F68 | TRAFFIC DIRECTING WAND, 8AX AND 8NX ADVANCED RECHARGEABLE |
| FM13 | INFRARED, M3, M900 AND ALL 1.62" BEZEL MU SYSTEM WEAPONLIGHTS |
| FM14 | BEAMSHAPER, M3, M900 AND ALL 1.62" BEZEL MU SYSTEM WEAPONLIGHTS |
| FM15 | RED, M3, M900 AND ALL 1.62" BEZEL MU SYSTEM WEAPONLIGHTS |
| FM16 | BLUE, M3, M900 AND ALL 1.62" BEZEL MU SYSTEM WEAPONLIGHTS |
| FM17 | OPAQUE, M3, M900 AND ALL 1.62" BEZEL MU SYSTEM WEAPONLIGHTS |
| FM23 | INFRARED, M3T, M4, M6 AND ALL 2.5" TURBOHEADS |
| FM24 | BEAMSHAPER, M3T, M4, M6 AND ALL 2.5" TURBOHEADS |
| FM25 | RED, M3T, M4, M6 AND ALL 2.5" TURBOHEADS |
| FM26 | BLUE, M3T, M4, M6 AND ALL 2.5" TURBOHEADS |
| FM27 | OPAQUE, M3T, M4, M6 AND ALL 2.5" TURBOHEADS |
| FM33 | INFRARED, FOR ALL 1.25" BEZELS (6P, C2, C3, G2, G2Z, Z2) |
| FM34 | BEAMSHAPER, FOR ALL 1.25" BEZELS (6P, C2, C3, G2, G2Z, Z2) |
| FM35 | RED, FOR ALL 1.25" BEZELS (6P, C2, C3, G2, G2Z, Z2) |
| FM36 | BLUE, FOR ALL 1.25" BEZELS (6P, C2, C3, G2, G2Z, Z2) |
| FM37 | OPAQUE, FOR ALL 1.25" BEZELS (6P, C2, C3, G2, G2Z, Z2) |
| FM43 | INFRARED, CLASSIC SYSTEM, NITROLON HANDGUN LIGHTS, 6V SHOTGUN FOREND |
| FM44 | BEAMSHAPER, CLASSIC SYSTEM, NITROLON HANDGUN LIGHTS, 6V SHOTGUN FOREND |
| FM45 | RED, CLASSIC SYSTEM, NITROLON HANDGUN LIGHTS, 6V SHOTGUN FOREND |
| FM46 | BLUE, CLASSIC SYSTEM, NITROLON HANDGUN LIGHTS, 6V SHOTGUN FOREND |
| FM47 | OPAQUE, CLASSIC SYSTEM, NITROLON HANDGUN LIGHTS, 6V SHOTGUN FOREND |
| FM53 | INFRARED, HELLFIRE |
| FM63 | INFRARED, 8AX, 8NX, M2, M951/M952 MU SYSTEMS |

| | |
|------|--|
| FM64 | BEAMSHAPER, 8AX, 8NX, M2, M951/M952 MU SYSTEMS |
| FM65 | RED, 8AX, 8NX, M2, M951/M952 MU SYSTEMS |
| FM66 | BLUE, 8AX, 8NX, M2, M951/M952 MU SYSTEMS |
| FM67 | OPAQUE, 8AX, 8NX, M2, M951/M952 MU SYSTEMS |

HOLSTERS AND SPARES CARRIERS

| | |
|--------|---|
| SC1 | SPARES CARRIER FOR STANDARD LAMPS |
| SC2 | SPARES CARRIER FOR MILLENNIUM LAMPS |
| SC3 | SPARES CARRIER FOR EXECUTIVE/AVIATOR LAMPS |
| V10 | NYLON HOLSTER, (FITS 6R) BLACK |
| V11 | NYLON HOLSTER, (FITS 6R) QUICK DISCONNECT VELCRO BELT LOOP, BLACK |
| V15 | NYLON HOLSTER, (FITS 6R) SPRING STEEL BELT CLIP ATTACHMENT |
| V16 | LEATHER HOLSTER, (FITS 6R) OPEN TOP, BLACK |
| V17 | LEATHER HOLSTER, (FITS 6R) OPEN TOP, BLACK BASKETWEAVE |
| V18 | LEATHER HOLSTER, (FITS 6R) OPEN TOP, CLARINO HIGH GLOSS |
| V20 | NYLON HOLSTER, (FITS G2 AND 6P) BLACK |
| V20-OD | NYLON HOLSTER, (FITS G2 AND 6P) OD GREEN |
| V21 | NYLON HOLSTER, (FITS G2 AND 6P) QUICK DISCONNECT VELCRO BELT LOOP, BLACK |
| V21-OD | NYLON HOLSTER, (FITS G2 AND 6P) QUICK DISCONNECT VELCRO BELT LOOP, OD GREEN |
| V25 | NYLON HOLSTER, (FITS G2 AND 6P) SPRING STEEL BELT CLIP ATTACHMENT, BLACK |
| V25-OD | NYLON HOLSTER, (FITS G2 AND 6P) SPRING STEEL BELT CLIP ATTACHMENT, OD GREEN |
| V26 | LEATHER HOLSTER, (FITS G2 AND 6P) OPEN TOP, BLACK |
| V27 | LEATHER HOLSTER, (FITS G2 AND 6P) OPEN TOP, BLACK BASKETWEAVE |
| V28 | LEATHER HOLSTER, (FITS G2 AND 6P) OPEN TOP, CLARINO HIGH GLOSS |
| V30 | NYLON HOLSTER, (FITS 8AX AND 8NX) BLACK |
| V31 | NYLON HOLSTER, (FITS 8AX AND 8NX) QUICK DISCONNECT VELCRO BELT LOOP, BLACK |
| V35 | NYLON HOLSTER, (FITS 8AX AND 8NX) SPRING STEEL BELT CLIP ATTACHMENT, BLACK |
| V36 | LEATHER HOLSTER, (FITS 8AX AND 8NX) OPEN TOP, BLACK |
| V37 | LEATHER HOLSTER, (FITS 8AX AND 8NX) OPEN TOP, BLACK BASKETWEAVE |
| V38 | LEATHER HOLSTER, (FITS 8AX AND 8NX) OPEN TOP, CLARINO HIGH GLOSS |
| V40 | NYLON HOLSTER, (FITS 9AN) BLACK |
| V41 | NYLON HOLSTER, (FITS 9AN) QUICK DISCONNECT VELCRO BELT LOOP, BLACK |
| V45 | NYLON HOLSTER, (FITS 9AN) SPRING STEEL BELT CLIP ATTACHMENT, BLACK |
| V46 | LEATHER HOLSTER, (FITS 9AN) OPEN TOP, BLACK |
| V47 | LEATHER HOLSTER, (FITS 9AN) OPEN TOP, BLACK BASKETWEAVE |
| V48 | LEATHER HOLSTER, (FITS 9AN) OPEN TOP, CLARINO HIGH GLOSS |
| V70 | SPEED HOLSTER FOR WIDE DUTY BELTS (FITS G2, G2Z, 6P, Z2, C2, C3) |
| V71 | SPEED HOLSTER FOR WIDE DUTY BELTS (FITS M3, M3T, M4, 9AN) |
| V72 | SPEED HOLSTER FOR WIDE DUTY BELTS (FITS M2, 8AX AND 8NX), BEZEL DOWN ONLY |
| V80 | HEADBAND FLASHLIGHT MOUNT (FITS A2, E1E, E2E, E2L, L1, L4) |
| V82 | NYLON HOLSTER, (FITS E2E, E2L, L1) QUICK DISCONNECT VELCRO BELT LOOP, BLACK |

LAMP MODULES FOR CLASSIC UNIVERSAL AND DEDICATED FOREND WEAPONLIGHTS

| | |
|-------|--------------------------------------|
| L120M | 500 LUMEN, SHOCK-ISOLATED |
| L36 | 65 LUMEN, SHOCK-ISOLATED |
| L37 | 65 LUMEN, SHOCK-ISOLATED, WATERPROOF |
| L39 | 105 LUMEN, SHOCK-ISOLATED |
| L46 | 35 MILLIWATT INFRARED |

| | |
|------|---|
| L60 | 65 LUMEN, SHOCK-ISOLATED |
| L61 | 65 LUMEN, SHOCK-ISOLATED, WATERPROOF |
| L90 | 105 LUMEN, SHOCK-ISOLATED |
| L91 | 105 LUMEN, SHOCK-ISOLATED, WATERPROOF |
| LM10 | LAMP MODULE ASSEMBLY FOR M500A DEDICATED FOREND WEAPONLIGHT |
| LM15 | LAMP MODULE ASSEMBLY FOR M500B DEDICATED FOREND WEAPONLIGHT |
| LM20 | LAMP MODULE ASSEMBLY FOR M500AB DEDICATED FOREND WEAPONLIGHT |
| LM90 | LAMP MODULE ASSEMBLY FOR USE WITH DEDICATED FOREND WEAPONLIGHTS |

LAMPS

| | |
|------|---|
| MA02 | 60 LUMEN FOR A2 AVIATOR |
| MN01 | 15 LUMEN FOR E1 AND E1e |
| MN02 | 25 LUMEN EXTENDED RUN-TIME FOR E2, E20 AND E2e |
| MN03 | 60 LUMEN FOR E2, E20 AND E2e |
| MN10 | 125 LUMEN FOR M3 COMBATLIGHT, M900A AND M96xx |
| MN11 | 225 LUMEN FOR M3 COMBATLIGHT, M900A AND M96xx |
| MN15 | 125 LUMEN FOR M3T COMBATLIGHT, M900AB AND M97xx |
| MN16 | 225 LUMEN FOR M3T COMBATLIGHT, M900AB AND M97xx |
| MN20 | 250 LUMEN FOR M6, M500B, M520B, M560B, M570B AND M98xx |
| MN21 | 500 LUMEN FOR M6, M500B, M520B, M560B, M570B AND M98xx |
| MN30 | 60 LUMEN FOR 10X DOMINATOR ONLY |
| MN31 | 500 LUMEN FOR 10X DOMINATOR ONLY |
| MN32 | 110 LUMEN FOR 10X DOMINATOR ONLY |
| MN60 | 225 LUMEN FOR M4 DEVASTATOR |
| MN61 | 350 LUMEN FOR M4 DEVASTATOR |
| N1 | 65 LUMEN TURBOHEAD FOR 6P |
| N2 | 105 LUMEN TURBOHEAD FOR 9P |
| N3 | 20/140 LUMEN TURBOHEADFOR 9N |
| N4 | 50 LUMEN TURBOHEAD 6R |
| N5 | 110 LUMEN TURBOHEAD FOR 8AN AND 8AX |
| N62 | 500 LUMEN FOR L120 LAMP MODULE |
| N90 | 20/140 LUMEN DUAL LAMP FOR 9AN , 9N |
| P60 | 65 LUMEN FOR 6P, 6Z, D2, C2, Z2, G2Z, G2 AND WEAPONLIGHTS |
| P61 | 120 LUMEN 6P, 6Z, D2, C2, Z2, G2Z, G2 AND WEAPONLIGHTS |
| P90 | 105 LUMEN FOR 9P, 9Z, C3, D3, Z3* AND WEAPONLIGHTS |
| P91 | 200 LUMEN FOR 9P, 9Z, C3, D3, Z3* AND WEAPONLIGHTS |
| R30 | 20 LUMEN FOR 3P, L30 LAMP MODULE |
| R60 | 50 LUMEN FOR 6R RECHARGEABLE |
| X80 | 105 LUMEN FOR 8AX,8NX, 8X RECHARGEABLE |

MISCELLANEOUS PARTS AND ACCESSORIES

| | |
|---------|--|
| A14 | ADAPTER, NI-CAD BATTERY, CONVERTS 6P BODY TO RECHARGEABLE BODY |
| A19 | ADAPTER, 6P TO 9P |
| A20 | ADAPTER, CONVERTS 9P TO 6R |
| A23 | ADAPTER, 6BL TO RECHARGEABLE |
| AN14-BK | NI-CAD BATTERY ADAPTER ASSEMBLY FOR G2, BLACK |
| AN14-OD | NI-CAD BATTERY ADAPTER ASSEMBLY FOR G2, OD GREEN |
| AN14-YL | NI-CAD BATTERY ADAPTER ASSEMBLY FOR G2, YELLOW |
| Z10 | SWITCH BLOCKING DEVICE |
| Z12 | LANYARD RING, 6P/6R/9P |

| | |
|-----|--|
| Z13 | OPTICS PROTECTION WINDOW, FOR L72 AND L75 LASER MODULES |
| Z16 | LAMP MODULE TO FLASHLIGHT CONVERSION KIT (L60, L61, L90, L91) |
| Z17 | LENS REPLACEMENT KIT, 6P/6R |
| Z19 | LENS REPLACEMENT KIT |
| Z20 | BATTERY SPACER, REPLACE SF123A |
| Z21 | CLOSED END TAILCAP, 6P, CONSTANT-ON ONLY |
| Z24 | SHOTGUN SLING MOUNT, REMINGTON 870 |
| Z25 | LANYARD RING, BEZEL MOUNTED, 8AX, 8NX |
| Z26 | LANYARD RING, TAIL CAP, 6P |
| Z27 | LANYARD, TACTICAL, BLACK |
| Z28 | LANYARD, TACTICAL, OD GREEN |
| Z29 | BATTERY SPACER, B65 |
| Z30 | LENS REPLACEMENT KIT, 8X |
| Z32 | SHOCK ISOLATED BEZEL, FOR CLASSIC WEAPONLIGHTS AND SHOTGUN FORENDS |
| Z33 | TAILCAP LANYARD KIT, 6P, C2, G2, Z2 |
| Z34 | BEZEL/TAILCAP LANYARD KIT, 6P |
| Z35 | LANYARD KIT, 8NX |
| Z36 | SLING ATTACHMENT MOUNT, COLT |
| Z37 | REPLACEMENT VELCRO, MOMENTARY TAPE SWITCH |
| Z38 | WASHER KIT, BENELLI SUPER 90 |
| Z41 | LOCKOUT TAILCAP, TYPE II BLACK ANODIZED, (6P, C2, Z2) |
| Z44 | BEZEL ASSEMBLY, HEXAGONAL, PYREX LENS, TYPE III HARD ANODIZED, (C2, C3) |
| Z45 | LANYARD, CHARCOAL GRAY |
| Z46 | BEZEL ASSEMBLY, M3 COMBATLIGHT, PYREX LENS |
| Z48 | CLICK-ON TAILCAP, HARD ANODIZED (FOR C2, C3, M2, M3, M3T, M4) |
| Z49 | CLICK-ON TAILCAP TYPE II BLACK ANODIZED (FOR 6P, Z2, Z3, D2, D3, 9P) |
| Z50 | LANYARD, E1E/E2E, CHARCOAL GRAY |
| Z51 | LANYARD KIT, M6, CHARCOAL GRAY |
| Z52 | REAR CAP ASSEMBLY, TYPE III MIL SPEC HARD ANODIZED (E1E, E2E) |
| Z53 | REAR CAP ASSEMBLY, TYPE II GUNMETAL GRAY ANODIZED, (E1E, E2E) |
| Z54 | REAR CAP ASSEMBLY, TYPE II BLACK ANODIZED (E1E, E2E) |
| Z57 | REAR CAP ASSEMBLY, CLICK ON/OFF, TYPE III HARD ANODIZED, MIL-SPEC (E1E,E2E) |
| Z58 | REAR CAP ASSEMBLY, TYPE III HARD ANODIZED, MIL-SPEC (C2, C3, M2, M3, M3T, M4) |
| Z59 | REAR CAP ASSEMBLY, TYPE III BLACK HARD ANODIZED, MIL-SPEC (6P, Z2, Z3, D2, D3, 9P) |
| Z60 | LANYARD KIT, (A2, L1,L2) |
| Z61 | REAR CAP ASSEMBLY, CLICK ON/OFF, TYPE III BLACK HARD ANODIZED, MIL-SPEC (E1E,E2E) |

TURBOHEAD CONVERSION KITS

| | |
|--------|---|
| KM500 | CONVERSION KIT, M500B TO M500A INCLUDES MB10 |
| KM501 | CONVERSION KIT, M500A TO M500B INCLUDES MB20 |
| KT1-BK | BEZEL AND LAMP KIT, CONVERTS 6P, 6Z, D2, C2 AND Z2 TO 2.5" TURBOHEAD REFLECTOR, BLACK |
| KT1-HA | BEZEL AND LAMP KIT, CONVERTS 6P, 6Z, D2, C2, Z2 AND M2 TO 2.5" TURBOHEAD REFLECTOR, HARD ANO. |
| KT2-BK | BEZEL AND LAMP KIT, CONVERTS 9P, 9Z, C3, D3, OR Z3 TO 2.5" TURBOHEAD REFLECTOR, BLACK |
| KT2-HA | BEZEL AND LAMP KIT, CONVERTS 9P, 9Z, C3, D3, OR Z3 TO 2.5" TURBOHEAD REFLECTOR, HARD ANO. |
| KT3-BK | BEZEL AND LAMP KIT, CONVERTS 9AN TO 2.5" TURBOHEAD REFLECTOR, BLACK |
| KT3-HA | BEZEL AND LAMP KIT, CONVERTS 9AN TO 2.5" TURBOHEAD REFLECTOR, HARD ANO. |
| KT4-HA | BEZEL AND LAMP KIT, CONVERTS M3 TO 2.5" TURBOHEAD REFLECTOR, HARD ANO. |
| KT5-BK | BEZEL AND LAMP KIT, CONVERTS 8NX/8AX TO 2.5" TURBOHEAD REFLECTOR, BLACK |
| KT5-HA | BEZEL AND LAMP KIT, CONVERTS 8NX/8AX TO 2.5" TURBOHEAD REFLECTOR, HARD ANO. |

PRODUCT ORDERING AND CONTACT INFORMATION

A silhouette of a soldier in profile, facing left, holding a rifle. The soldier is positioned on the right side of the frame. The background is a warm, orange and yellow sunset sky with a bright sun low on the horizon. The soldier's gear, including a helmet and a rifle, is clearly visible against the light.

CONSUMER ORDERS

- Call our toll-free number — 1-800-828-8809
- Local number — 714-545-9444
- UK/Germany toll-free number — 00-800-7843-7843
- Order from our website — www.surefire.com

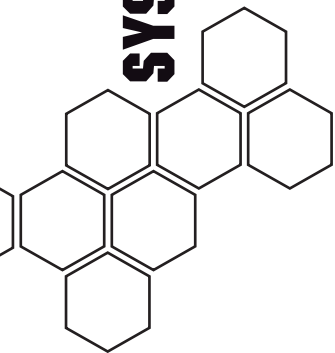
MILITARY ORDERS or NSN INFORMATION

- Call our toll-free number — 1-800-828-8809
- Email our military sales specialist — helpyou@surefire.com
- Visit www.surefire.com and click NSN ORDERING

THE SUREFIRE INSTITUTE

- Call our toll-free number — 866-230-3127
- Fax — 714-545-9537
- Email — info@surefireinstitute.com
- Visit our website — www.surefireinstitute.com

SYSTEM OVERVIEW




| | |
|---|--|
| MILLENNIUM UNIVERSAL WEAPONLIGHTS | |
| PAGE 16 |  |
| Attaches to Picatinny rail and features modular interchangeable components. | |

| | |
|--|--|
| VERTICAL FOREGRIP WEAPONLIGHTS | |
| PAGE 20 |  |
| Foregrips with integrated battle lamp and smaller LEDs for stealth navigation. Attaches to Picatinny rail. | |

| | |
|--|--|
| SCOUT LIGHT SYSTEM WEAPONLIGHTS | |
| PAGE 22 |  |
| Ultra-compact modular LED system attaches to Picatinny rail. | |

| | |
|--|----------------|
| DEDICATED FOREND WEAPONLIGHTS | |
|  | PAGE 24 |
| Replacement forends with integral switching. Available for rifles, carbines, submachine guns and shotguns. | |

| | |
|---|----------------|
| CLASSIC UNIVERSAL WEAPONLIGHTS | |
|  | PAGE 28 |
| For weapons not equipped with mounting rails. Available in standard or custom configurations. | |

| | |
|---|----------------|
| PICATINNY RAIL FORENDS | |
|  | PAGE 48 |
| Replacement forends with integral rails for rock-solid accessory mounting. | |



The Leaders in Low-Light Tactical Training

For course descriptions and schedules:

www.surefireinstitute.com

SUREFIRE GUARANTEE

Lamps will burn out, batteries will be used up, and switches for WeaponLights™ may eventually need to be replaced. Everything else is covered by our no-hassle guarantee: If it breaks, we fix it!

WARRANTY

SureFire warrants its products to be free from defects in materials and workmanship. SureFire will repair or replace, at its option and without charge, any product or part which is found to be defective under normal use and service. Such repair or replacement shall be the purchaser's sole and exclusive remedy under this warranty. This warranty does not include normal maintenance and services and does not apply to any products or parts which have been subject to modification, misuse, negligence, accident, improper maintenance or repair by anyone other than SureFire.

Excludes suppressors, which are covered under a separate guarantee.

WARRANTY LIMITATION

There is no other express warranty. SureFire hereby disclaims any and all implied warranties, including but not limited to fitness for a particular purpose. SureFire shall not be liable for incidental, consequential, or special damages arising out of, or in connection with, product use or performance.

WARRANTY CLAIMS

For repair or replacement contact Customer Service at 800-828-8809 (toll free) or 714-545-9444 and obtain a Return Merchandise Authorization number (RMA#). Then package the unit carefully and return (no CODs please) to:

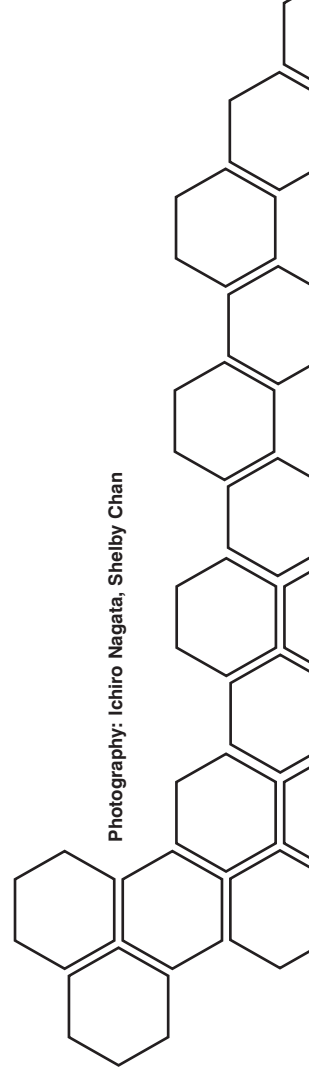
SureFire, LLC
Repairs Department, RMA# ____
17680 Newhope, Suite B
Fountain Valley, CA 92708

SureFire, LLC
Suppressor Returns, RMA# ____
Attention: FCO
18300 Mt. Baldy Circle
Fountain Valley, CA 92708

SureFire will pay any reasonable shipping costs to return the unit to you.

SureFire LLC reserves the right to correct any errors or inaccuracies contained herein, and to revoke stated offers at any time without notice. Prices, availability, specifications, and promotional offers are subject to change or cancellation at any time without notice. Weights, measures, and shipping information are approximate, and product images may appear without perfect accuracy. SureFire LLC disclaims all warranties, whether express or implied, with respect to the accuracy or completeness of any information contained herein, to the fullest extent possible under applicable laws. Under no circumstances shall SureFire LLC be liable for any direct, indirect, incidental, special or consequential damages that result from any information contained herein.

Photography: Ichiro Nagata, Shelby Chan



Official Flashlight Of The



NRA™





SUREFIRE LLC., 18300 MT. BALDY CIRCLE, FOUNTAIN VALLEY, CA 92708, USA

US PATENT 6,800,027

WWW.SUREFIRE.COM

714-545-9444 800-828-8809