

CUSTOM RIFLES, PISTOLS,
PARTS AND ACCESSORIES

ROCK
RIVER
ARMS, INC.®

MADE IN U.S.A.



Retail Catalog

July 2006



In 1996, brothers Mark and Chuck Larson founded Rock River Arms in an 1,800 square foot shop in Cleveland, Illinois. Mark and Chuck together brought over 40 years of varied experience in the firearms manufacturing industry into their new endeavor. Rock River Arms soon developed a reputation as one of the finest builders of hand fitted custom 1911 pistols, and their NM frames and slides set a new industry standard for tight tolerances, fit and finish.

The brothers soon turned their manufacturing expertise and attention to detail into producing custom .223 caliber "AR" style rifles. Their initial focus on tightening up tolerances and improving the fit, finish and reliability of their rifles was rewarded as the Rock River Arms NM A2 Rifle quickly gained popularity among high-power shooters.



Today, operating out of a state-of-the-art 12,000 square foot facility in Colona, Illinois, the company is producing a full line of custom rifles, pistols, parts and accessories, all built with the same focus on providing the finest fit, finish and function at a reasonable price.

The quality and reliability of Rock River Arms firearms continues to win new admirers. The U.S. Drug Enforcement Agency (DEA) and Federal Bureau of Investigation (FBI) recently put a variety of different manufacturers rifles through an exhaustive trials process, and based on those trials awarded Rock River Arms with a 5 year contract as their primary supplier.

Rock River Arms is one of the fastest growing firearms manufacturers in the country, but remains committed to continuing to provide it's civilian, law enforcement and military customers with the kind of custom products and services on which it's reputation has been built.

RRA Warranty Information

Rock River Arms offers the following warranties on its products: **Complete Rifles, Upper Halves, and Lower Halves** carry a Limited Lifetime Warranty against failure of factory parts and labor. **Complete Custom Pistols** carry a One Year Limited Warranty against failure of factory parts or labor. If you have any questions concerning the warranty on your RRA rifle, upper or lower half, or pistol, please call RRA for clarification.

Assault Weapon Ban Sunset (AWB)

With the sunset of the "assault weapons ban" in 2004, Rock River Arms is pleased to offer rifles with previously banned features to most of our customers. Some states, counties, and municipalities have enacted laws similar to the federal ban. Please check all applicable laws in your city and state before ordering from RRA to avoid any potential legal problems. RRA continues to offer rifles and subassemblies in configurations consistent with the requirements of the prior ban. Please call RRA for pricing and availability on AWB Compliant models.

NEW! Laser Logo Engraving

We are now laser engraving all of our upper receivers. All of our factory-built upper halves and complete rifles are engraved with Rock River Arm's trademarked logo.



See our website for Shipping and Handling charges. All pistol orders require a \$200.00 non-refundable deposit. Custom serial numbers, if available, cost an additional \$50 and require a \$250.00 non-refundable deposit.

All orders must comply with all applicable Federal, State and Local laws. All prices, configurations and specifications subject to change without notice.

Visit our Online Showroom at www.rockriverarms.com
for New Products, Online Specials and Secure Online Ordering!

Rock River Arms, Inc.

1042 Cleveland Rd • Colona, IL 61241 • Toll Free Order Line: 866-980-ROCK (7625)
Tel: 309-792-5780 • Fax: 309-792-5781 • Email: info@rockriverarms.com

Rock River Arms, Inc.® **New for 2006!**



NEW!
RRA LAR-10
.308 Caliber Rifles
 Available Fall 2006

New from Rock River Arms!

Rock River Arms is pleased to offer a number of innovative new products for 2006, including the all new **RRA LAR-15 Pistols** in .223 and 9mm, complete rifles and upper halves chambered in **.458 SOCOM**, and the **RRA LAR-10 .308** caliber rifles.



NEW! Safe Case

Each RRA complete rifle will ship with our new Safe Case, unless otherwise specified.

NEW! Pro-Series Rifle Packages	4 / 6
RRA Custom Rifles - .223 Caliber	7 / 15
NEW! RRA LAR-15 Pistols - Pistols, Upper Halves & Lower in .223 and 9mm	16 / 17
Complete Upper Halves - .223 Caliber	18 / 22
NEW! .458 SOCOM Rifle and Complete Upper Half	23
NEW! RRA LAR-10 .308 Caliber Rifles	24
9mm Rifles, Upper Halves and Parts	25 / 27
NM Upper Halves and Parts	28
Lower Receivers and Lower Receiver Parts	29
Barrel Assemblies and Barrel Assembly Parts	30 / 31
Upper Receivers and Upper Receiver Parts	32 / 33
Handguards, Rail Systems and Related	34 / 35
Buttstocks, Pistol Grips and Related	36
Accessories	37 / 43
RRA Custom 1911 Style Pistols	44 / 48
RRA 1911 Style Pistol Parts	49 / 50
RRA Logo Gear and Gifts	51

PRO-SERIES TASC



Smith Vortex Flash Hider
Wilson Chrome Lined
1:9 Twist Barrel

SureFire M85 Mid-Length
Tactical Rail Handguard

Graphite Fore Grip

EOTech 511 Holosight

Midwest Industries
A2 Adjustable Cantilever Mount

RRA Forged A2
Upper Receiver

Lockable Windage &
Elevation Rear Sight

The Pro-Series TASC

The Pro-Series TASC Package

Comes complete with Five 30 Round Magazines,
Eagle Discreet Rifle Case, Owners Manual
and RRA Warranty AR1741 **\$1,985**

STANDARD CONFIGURATION

- CALIBER 223/5.56 NATO Chamber
- UPPER RECEIVER Forged A2
- BARREL Chrome Lined 16" Wilson Chrome Moly, 1:9 Twist
- MUZZLE DEVICE Smith Vortex Flash Hider
- TRIGGER NM Two Stage
- TRIGGER GUARD Winter Trigger Guard
- REAR SIGHT A2 with Lockable Windage & Elevation
- PISTOL GRIP Hogue Rubber
- BUTTSTOCK 6-Position Tactical CAR Stock
- HANDGUARD . . . SureFire M85 Mid-Length Quad Rail Handguard
- FORE GRIP Graphite Fore Grip
- SIGHT EOTech 511 Holosight
- SIGHT MOUNT . . . Midwest Industries A2 Adjustable Cantilever
- WEIGHT / LENGTH 8.7 Pounds / 36.5 Inches
- ACCURACY 1.5 MOA at 100 Yards

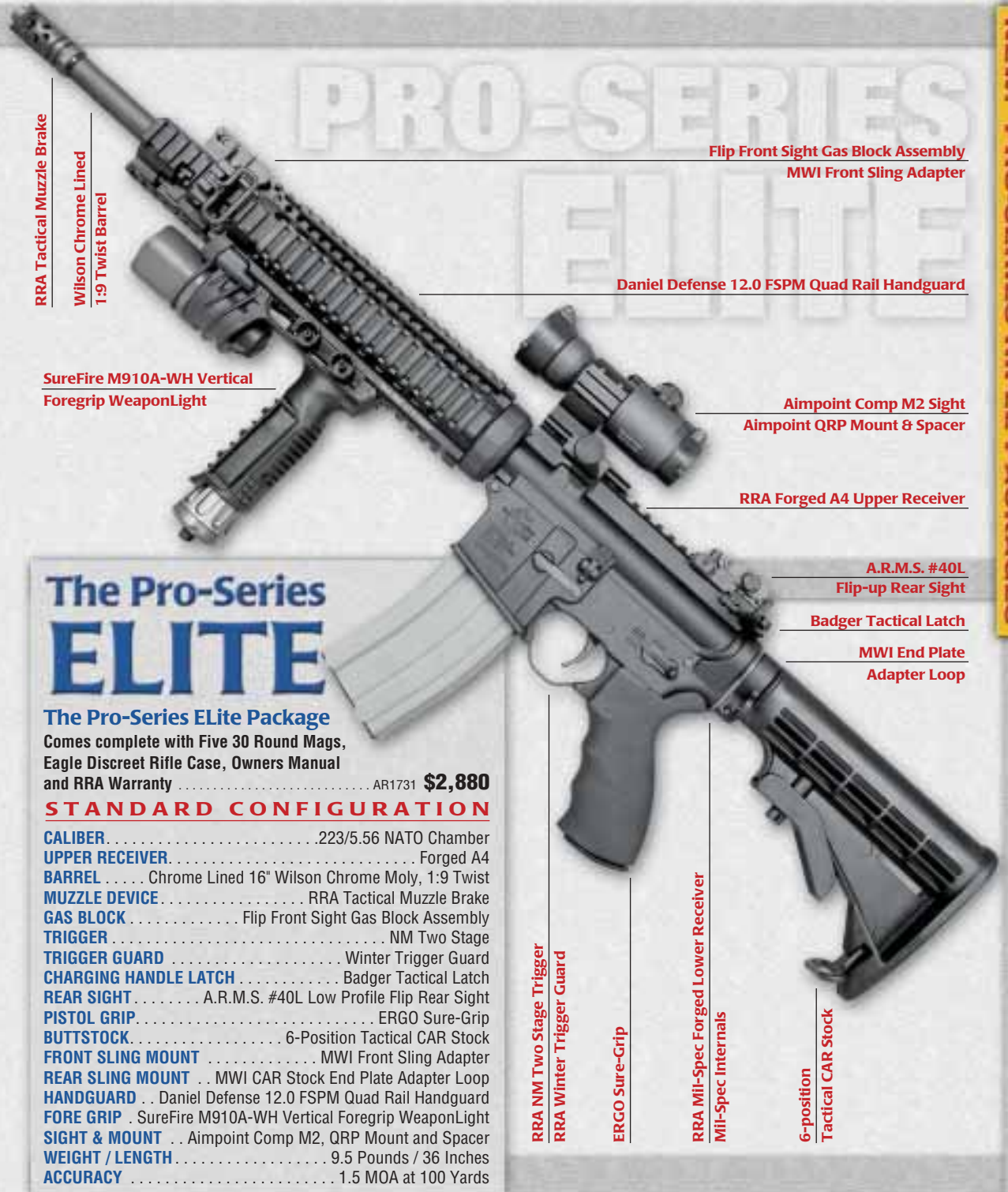
RRA NM Two Stage Trigger
RRA Winter Trigger Guard

Hogue Rubber Grip

RRA Mil-Spec Forged Lower Receiver
Mil-Spec Internals

6-position
Tactical CAR Stock

PRO-SERIES ELITE



RRA Tactical Muzzle Brake
Wilson Chrome Lined
1:9 Twist Barrel

Flip Front Sight Gas Block Assembly
MWI Front Sling Adapter

Daniel Defense 12.0 FSPM Quad Rail Handguard

SureFire M910A-WH Vertical Foregrip WeaponLight

Aimpoint Comp M2 Sight
Aimpoint QRP Mount & Spacer

RRA Forged A4 Upper Receiver

A.R.M.S. #40L Flip-up Rear Sight

Badger Tactical Latch

MWI End Plate Adapter Loop

The Pro-Series ELITE

The Pro-Series ELite Package

Comes complete with Five 30 Round Mags, Eagle Discreet Rifle Case, Owners Manual and RRA Warranty AR1731 **\$2,880**

STANDARD CONFIGURATION

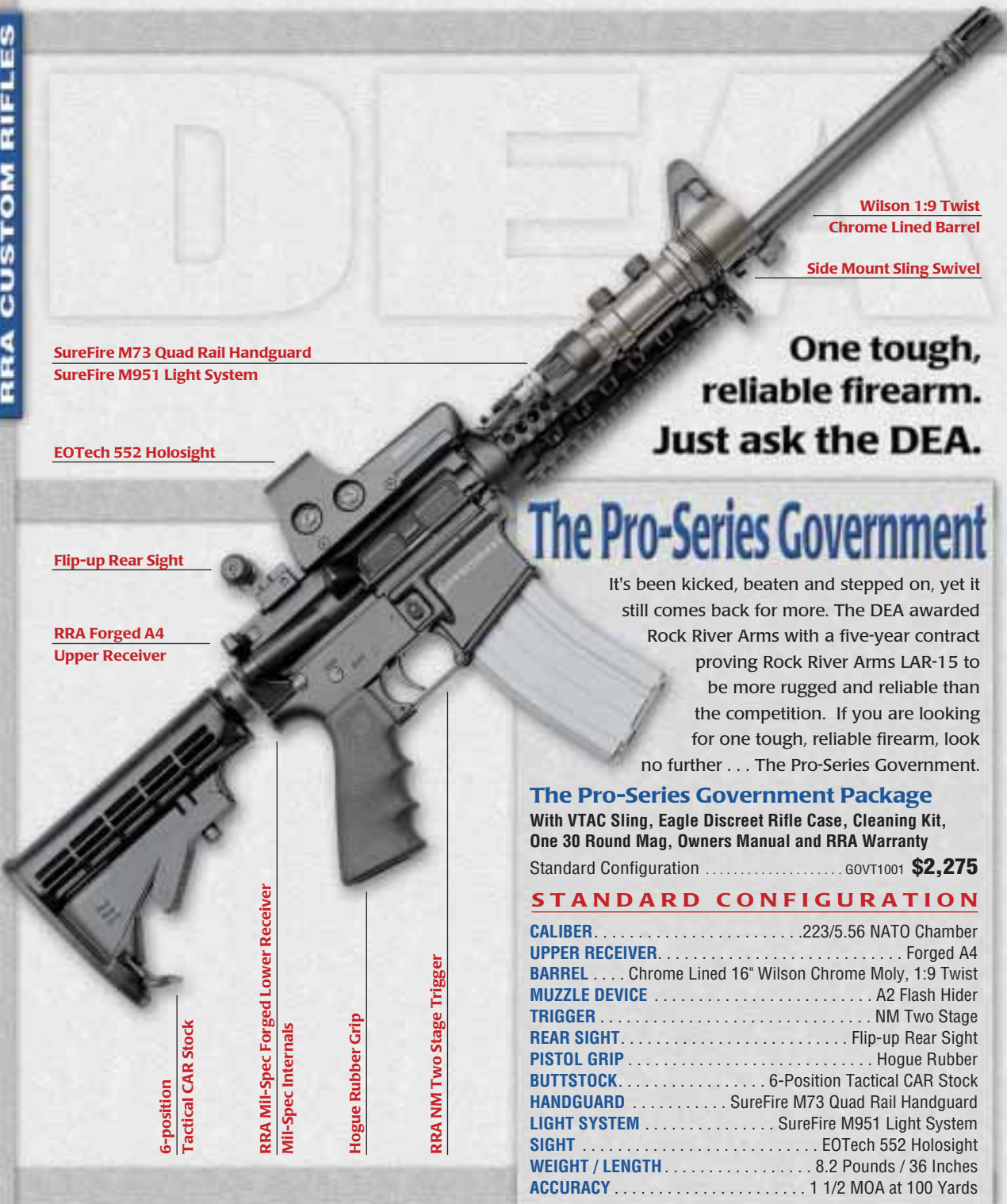
- CALIBER**223/5.56 NATO Chamber
- UPPER RECEIVER** Forged A4
- BARREL** Chrome Lined 16" Wilson Chrome Moly, 1:9 Twist
- MUZZLE DEVICE** RRA Tactical Muzzle Brake
- GAS BLOCK** Flip Front Sight Gas Block Assembly
- TRIGGER** NM Two Stage
- TRIGGER GUARD** Winter Trigger Guard
- CHARGING HANDLE LATCH** Badger Tactical Latch
- REAR SIGHT** A.R.M.S. #40L Low Profile Flip Rear Sight
- PISTOL GRIP** ERGO Sure-Grip
- BUTTSTOCK** 6-Position Tactical CAR Stock
- FRONT SLING MOUNT** MWI Front Sling Adapter
- REAR SLING MOUNT** . . . MWI CAR Stock End Plate Adapter Loop
- HANDGUARD** . . . Daniel Defense 12.0 FSPM Quad Rail Handguard
- FORE GRIP** . SureFire M910A-WH Vertical Foregrip WeaponLight
- SIGHT & MOUNT** . . Aimpoint Comp M2, QRP Mount and Spacer
- WEIGHT / LENGTH** 9.5 Pounds / 36 Inches
- ACCURACY** 1.5 MOA at 100 Yards

RRA NM Two Stage Trigger
RRA Winter Trigger Guard

ERGO Sure-Grip

RRA Mil-Spec Forged Lower Receiver
Mil-Spec Internals

6-position
Tactical CAR Stock



SureFire M73 Quad Rail Handguard
SureFire M951 Light System

EOTech 552 Holosight

Flip-up Rear Sight

RRA Forged A4 Upper Receiver

6-position Tactical CAR Stock

RRA Mil-Spec Forged Lower Receiver Mil-Spec Internals

Hogue Rubber Grip

RRA NM Two Stage Trigger

Wilson 1:9 Twist Chrome Lined Barrel

Side Mount Sling Swivel

One tough, reliable firearm. Just ask the DEA.

The Pro-Series Government

It's been kicked, beaten and stepped on, yet it still comes back for more. The DEA awarded Rock River Arms with a five-year contract proving Rock River Arms LAR-15 to be more rugged and reliable than the competition. If you are looking for one tough, reliable firearm, look no further . . . The Pro-Series Government.

The Pro-Series Government Package

With VTAC Sling, Eagle Discreet Rifle Case, Cleaning Kit, One 30 Round Mag, Owners Manual and RRA Warranty

Standard Configuration GOVT1001 **\$2,275**

STANDARD CONFIGURATION

CALIBER223/5.56 NATO Chamber
UPPER RECEIVER	Forged A4
BARREL	Chrome Lined 16" Wilson Chrome Moly, 1:9 Twist
MUZZLE DEVICE	A2 Flash Hider
TRIGGER	NM Two Stage
REAR SIGHT	Flip-up Rear Sight
PISTOL GRIP	Hogue Rubber
BUTTSTOCK	6-Position Tactical CAR Stock
HANDGUARD	SureFire M73 Quad Rail Handguard
LIGHT SYSTEM	SureFire M951 Light System
SIGHT	EOTech 552 Holosight
WEIGHT / LENGTH	8.2 Pounds / 36 Inches
ACCURACY	1 1/2 MOA at 100 Yards

R-4 Barrel Profile

Detachable Tactical Carry Handle

Detachable Side Mount Sling Swivel

Entry Tactical

Standard Configuration AR1251 **\$1,000**

STANDARD CONFIGURATION

CALIBER 223/5.56 NATO Chamber
UPPER RECEIVER Forged A4
CARRY HANDLE Detachable Tactical Carry Handle
BARREL 16" Wilson R-4 Chrome Moly, 1:9 Twist
MUZZLE DEVICE A2 Flash Hider
TRIGGER NM Two Stage
SAFETY SELECTOR Star
PISTOL GRIP Hogue Rubber
HANDGUARD R-4 Handguard
BUTTSTOCK 6-Position Tactical CAR Stock
WEIGHT 7.5 Pounds
LENGTH 36 Inches
ACCURACY 1 MOA at 100 Yards
INCLUDED One Mag, Safe Case, Owners Manual, Warranty
 Rifle shown with Standard Accessory Package

RRA Two Stage Match Trigger

Hogue Rubber Grip

Tactical CAR Stock

ENTRY TACTICAL - OPTIONS & UPGRADES

Substitute Green Furniture Add **\$10**
 Substitute Dominator EOTech Mount for Tactical Carry Handle **No Charge**
 Substitute A2 Buttstock **No Charge**
 Substitute Entry Buttstock **No Charge**
 Substitute ACE Skeleton ARFX-E Stock, Entry Length Add **\$20**
 Substitute ERGO Pistol Grip Add **\$15**
 Substitute Quad Rail Aluminum Free Float, CAR Length Add **\$120**
 Substitute SureFire M73 Tactical Rail Handguard Add **\$196**
 Substitute Daniel Defense Quad Rail 9.5FSP, CAR Length Add **\$325**
 Substitute A.R.M.S. S.I.R. #50M, CAR Length Add **\$360**
 Substitute A.R.M.S. S.I.R. #50C, CAR Length Add **\$365**
 Substitute Chrome Lined R-4 Barrel, 1:9 Twist Add **\$40**
 Substitute Smith Vortex Flash Hider Add **\$50**



TASC Rifle

With R-4 Handguard and A2 Buttstock AR1215 **\$935**
With R-4 Handguard and 6 Position CAR Stock AR1216 **\$950**
With Mid-Length Handguard and A2 Buttstock AR1240 **\$935**
With Mid-Length Handguard and 6 Position CAR Stock AR1241 **\$950**

Lockable Windage and Elevation Rear Sight

Hogue Rubber Grip

RRA Two Stage Match Trigger

TASC Rifle - AR1240
With Mid-Length Handguard and A2 Buttstock

TASC RIFLE - OPTIONS & UPGRADES

Substitute Green Furniture Add **\$10**
 Substitute ACE Skeleton ARFX-E Stock (for A2 Buttstock) Add **\$30**
 Substitute Entry Buttstock **No Charge**
 Substitute ERGO Pistol Grip Add **\$15**
 Substitute Quad Rail Aluminum Free Float, CAR Length Add **\$120**
 Substitute Quad Rail Aluminum Free Float, Mid-Length Add **\$125**
 Substitute Smith Vortex Flash Hider Add **\$50**



Tactical CAR A4

Standard Configuration AR1200 **\$1,000**

STANDARD CONFIGURATION

- CALIBER 223/5.56 NATO Chamber
 - UPPER RECEIVER Forged A4
 - CARRY HANDLE Detachable Tactical Carry Handle
 - BARREL 16" Wilson Chrome Moly, 1:9 Twist
 - MUZZLE DEVICE A2 Flash Hider
 - TRIGGER NM Two Stage
 - SAFETY SELECTOR Star
 - PISTOL GRIP Hogue Rubber
 - HANDGUARD R-4 Handguard
 - BUTTSTOCK 6-Position Tactical CAR Stock
 - WEIGHT 7.5 Pounds
 - LENGTH 36 Inches
 - ACCURACY 1 MOA at 100 Yards
 - INCLUDED One Mag, Safe Case, Owners Manual, Warranty
- Rifle shown with Standard Accessory Package

TACTICAL CAR A4 - OPTIONS & UPGRADES

- Substitute Green Furniture Add **\$10**
- Substitute Dominator EOTech Mount for Tactical Carry Handle **No Charge**
- Substitute ACE Skeleton ARFX-E Stock, Entry Length Add **\$20**
- Substitute ERGO Pistol Grip Add **\$15**
- Substitute Quad Rail Aluminum Free Float, CAR Length Add **\$120**
- Substitute SureFire M73 Tactical Rail Handguard Add **\$196**
- Substitute Daniel Defense Quad Rail 7.0, CAR Length Add **\$275**
- Substitute A.R.M.S. S.I.R. #50M, CAR Length Add **\$360**
- Substitute A.R.M.S. S.I.R. #50C, CAR Length Add **\$365**
- Substitute Chrome Lined Barrel, 1:9 Twist Add **\$40**
- Substitute Stainless Steel Barrel, 1:8 Twist Add **\$65**
- Substitute Smith Vortex Flash Hider Add **\$50**
- Substitute Winter Trigger Guard Add **\$10**
- Substitute Badger Tactical Latch on Charging Handle Add **\$20**
- Substitute Ambidextrous Mag Catch Add **\$88**



Elite CAR A4

Standard Configuration AR1225 **\$1,000**

STANDARD CONFIGURATION

- CALIBER 223/5.56 NATO Chamber
 - UPPER RECEIVER Forged A4
 - CARRY HANDLE Detachable Tactical Carry Handle
 - BARREL 16" Wilson Chrome Moly, 1:9 Twist
 - MUZZLE DEVICE A2 Flash Hider
 - TRIGGER NM Two Stage
 - SAFETY SELECTOR Star
 - PISTOL GRIP Hogue Rubber
 - HANDGUARD Mid-Length Handguard
 - BUTTSTOCK 6-Position Tactical CAR Stock
 - WEIGHT / LENGTH 7.7 Pounds / 36 Inches
 - ACCURACY 1 MOA at 100 Yards
 - INCLUDED One Mag, Safe Case, Owners Manual, Warranty
- Rifle shown with Standard Accessory Package

ELITE CAR A4 - OPTIONS & UPGRADES

- Substitute the **RRA Dominator EOTech Mount** for the Tactical Carry Handle (EOTech sight not included) **No Charge**
- Substitute Green Furniture Add **\$10**
- Substitute ACE Skeleton ARFX-E Stock, Entry Length Add **\$20**
- Substitute Quad Rail Aluminum Free Float, Mid-Length Add **\$125**
- Substitute SureFire M85 Tactical Rail Handguard Add **\$195**
- Substitute Daniel Defense Quad Rail 9.0, Mid-Length Add **\$310**
- Substitute A.R.M.S. S.I.R. #58M, Mid-Length Add **\$390**
- Substitute Stainless Steel Barrel, 1:8 Twist Add **\$65**
- Substitute Smith Vortex Flash Hider Add **\$50**

NEW One Piece UTE2 Upper Receiver
Now with standard A4 Rail Height



Tactical CAR UTE2

Standard Configuration..... AR1205 **\$985**

STANDARD CONFIGURATION

- CALIBER**..... .223/5.56 NATO Chamber
 - UPPER RECEIVER**..... Forged UTE2 - Universal Tactical Entry
 - BARREL**..... 16" Wilson Chrome Moly, 1:9 Twist
 - MUZZLE DEVICE**..... A2 Flash Hider
 - TRIGGER**..... NM Two Stage
 - SAFETY SELECTOR**..... Star
 - PISTOL GRIP**..... Hogue Rubber
 - HANDGUARD**..... R-4 Handguard
 - BUTTSTOCK**..... 6-Position Tactical CAR Stock
 - WEIGHT**..... 7.5 Pounds
 - LENGTH**..... 36 Inches
 - ACCURACY**..... 1 MOA at 100 Yards
 - INCLUDED**..... One Mag, Safe Case, Owners Manual, Warranty
- Rifle shown with Standard Accessory Package

TACTICAL CAR UTE - OPTIONS & UPGRADES

- Substitute Green Furniture..... Add **\$10**
- Substitute ACE Skeleton ARFX-E Stock, Entry Length..... Add **\$20**
- Substitute ERGO Pistol Grip..... Add **\$15**
- Substitute Quad Rail Aluminum Free Float, CAR Length..... Add **\$120**
- Substitute SureFire M73 Tactical Rail Handguard..... Add **\$196**
- Substitute Daniel Defense Quad Rail 9.5FSP, CAR Length..... Add **\$325**
- Substitute Weaver Type Gas Block Sight Base..... Add **\$35**
- Substitute Stainless Steel Barrel, 1:8 Twist..... Add **\$65**
- Substitute Smith Vortex Flash Hider..... Add **\$50**
- Substitute AWB Compliant Muzzle Brake..... Add **\$35**
- Substitute Winter Trigger Guard..... Add **\$10**
- Substitute Badger Tactical Latch on Charging Handle..... Add **\$20**
- Substitute Ambidextrous Safety Selector..... Add **\$30**

NEW One Piece UTE2 Upper Receiver
Now with standard A4 Rail Height



Elite CAR UTE2

Standard Configuration..... AR1229 **\$985**

STANDARD CONFIGURATION

- CALIBER**..... .223/5.56 NATO Chamber
 - UPPER RECEIVER**..... Forged UTE2 - Universal Tactical Entry
 - BARREL**..... 16" Wilson Chrome Moly, 1:9 Twist
 - MUZZLE DEVICE**..... A2 Flash Hider
 - TRIGGER**..... NM Two Stage
 - SAFETY SELECTOR**..... Star
 - PISTOL GRIP**..... Hogue Rubber
 - HANDGUARD**..... Mid-Length Handguard
 - BUTTSTOCK**..... 6-Position Tactical CAR Stock
 - WEIGHT / LENGTH**..... 7.7 Pounds / 36 Inches
 - ACCURACY**..... 1 MOA at 100 Yards
 - INCLUDED**..... One Mag, Safe Case, Owners Manual, Warranty
- Rifle shown with Standard Accessory Package

Add a **MAMBA Combat Sling** for Tactical CAR Stock..... AR0137MC **\$40**

ELITE CAR UTE - OPTIONS & UPGRADES

- Substitute Green Furniture..... Add **\$10**
- Substitute ACE Skeleton ARFX-E Stock, Entry Length..... Add **\$20**
- Substitute Quad Rail Aluminum Free Float, Mid-Length..... Add **\$125**
- Substitute SureFire M85 Tactical Rail Handguard..... Add **\$195**
- Substitute Daniel Defense Quad Rail 9.0, Mid-Length..... Add **\$310**
- Substitute Chrome Lined Barrel, 1:9 Twist..... Add **\$40**
- Substitute Stainless Steel Barrel, 1:8 Twist..... Add **\$65**
- Substitute Smith Vortex Flash Hider..... Add **\$50**

CAR A2

Standard Configuration..... AR1293 **\$910**
 With 6 Position Tactical CAR Stock..... AR1295 **\$925**

STANDARD CONFIGURATION

CALIBER..... .223/5.56 NATO Chamber
UPPER RECEIVER..... Forged A2
BARREL..... 16" Wilson Chrome Moly, 1:9 Twist
MUZZLE DEVICE..... A2 Flash Hider
TRIGGER..... NM Two Stage
PISTOL GRIP..... Standard
HANDGUARD..... CAR Length
BUTTSTOCK..... A2 Buttstock
WEIGHT / LENGTH..... 7.5 Pounds / 35.25 Inches
ACCURACY..... 1 MOA at 100 Yards
INCLUDED..... One Mag, Safe Case, Owners Manual, Warranty
 Rifles shown with Standard Accessory Package



RRA
Two Stage
Match Trigger



CAR A2 - AR1295
Shown with optional
6-Position Tactical CAR Stock

CAR A4

Standard Configuration..... AR1221 **\$875**
 With 6 Position Tactical CAR Stock..... AR1222 **\$890**

STANDARD CONFIGURATION

CALIBER..... .223/5.56 NATO Chamber
UPPER RECEIVER..... Forged A4
BARREL..... 16" Wilson Chrome Moly, 1:9 Twist
MUZZLE DEVICE..... A2 Flash Hider
TRIGGER..... NM Two Stage
PISTOL GRIP..... Standard
HANDGUARD..... CAR Length
BUTTSTOCK..... A2 Buttstock
WEIGHT / LENGTH..... 7.1 Pounds / 35.25 Inches
ACCURACY..... 1 MOA at 100 Yards
INCLUDED..... One Mag, Safe Case, Owners Manual, Warranty
 Rifles shown with Standard Accessory Package



RRA
Two Stage
Match Trigger



CAR A4
AR1291 ... **\$1,010**
Shown with optional Quad Rail
Handguard and Tactical CAR Stock

CAR A2 / CAR A4 - OPTIONS & UPGRADES

Substitute Green Furniture	Add \$10	Substitute Daniel Defense Quad Rail 9.5FSP, CAR	Add \$325
Substitute Entry Buttstock	No Charge	Substitute Daniel Defense Quad Rail 12.0FSP, CAR	Add \$360
Substitute CAA Tactical Buttstock (for A2 Buttstock)	Add \$35	Substitute A.R.M.S. S.I.R. #50M, CAR Length A4	Add \$360
Substitute ACE Skeleton ARFX (for A2 Buttstock)	Add \$30	Substitute A.R.M.S. S.I.R. #50C, CAR Length A4	Add \$365
Substitute ACE Skeleton ARFX-E (for A2 Buttstock)	Add \$30	Substitute A.R.M.S. S.I.R. #51C, CAR Length A2	Add \$365
Substitute Hogue Rubber Pistol Grip	Add \$20	Substitute Chrome Lined Barrel, 1:9 Twist	Add \$40
Substitute ERGO Pistol Grip	Add \$20	Substitute Stainless Steel Barrel, 1:8 Twist	Add \$65
Substitute ERGO Target Pistol Grip	Add \$55	Substitute Smith Vortex Flash Hider	Add \$50
Substitute Aluminum Free Float Tube, CAR	Add \$55	Substitute AWB Compliant Muzzle Brake	Add \$35
Substitute Hogue Free Float Tube, CAR	Add \$80	Substitute Weaver Type Gas Block Sight Base	Add \$35
Substitute Quad Rail Free Float, CAR Length	Add \$120	Substitute Winter Trigger Guard	Add \$10
Substitute SureFire M73 Tactical Rail Handguard	Add \$196	Substitute Ambidextrous Safety Selector	Add \$30
Substitute Daniel Defense Quad Rail 7.0, CAR	Add \$275	Substitute Ambidextrous Mag Catch	Add \$88

Mid-Length A2

Standard Configuration..... AR1294 **\$910**

With 6 Position Tactical CAR Stock..... AR1296 **\$925**

STANDARD CONFIGURATION

CALIBER..... .223/5.56 NATO Chamber
UPPER RECEIVER..... Forged A2
BARREL..... 16" Wilson Chrome Moly, 1:9 Twist
MUZZLE DEVICE..... A2 Flash Hider
TRIGGER..... NM Two Stage
PISTOL GRIP..... Standard
HANDGUARD..... Mid-Length
BUTTSTOCK..... A2 Buttstock
WEIGHT / LENGTH..... 7.5 Pounds / 35.25 Inches
ACCURACY..... 1 MOA at 100 Yards
INCLUDED..... One Mag, Safe Case, Owners Manual, Warranty
 Rifles shown with Standard Accessory Package



RRA
Two Stage
Match Trigger



Mid-Length A2 - AR1296

Shown with optional
6-Position Tactical CAR Stock

Mid-Length A4

Standard Configuration..... AR1238 **\$875**

With 6 Position Tactical CAR Stock..... AR1239 **\$890**

STANDARD CONFIGURATION

CALIBER..... .223/5.56 NATO Chamber
UPPER RECEIVER..... Forged A4
BARREL..... 16" Wilson Chrome Moly, 1:9 Twist
MUZZLE DEVICE..... A2 Flash Hider
TRIGGER..... NM Two Stage
PISTOL GRIP..... Standard
HANDGUARD..... Mid-Length
BUTTSTOCK..... A2 Buttstock
WEIGHT / LENGTH..... 7.1 Pounds / 35.25 Inches
ACCURACY..... 1 MOA at 100 Yards
INCLUDED..... One Mag, Safe Case, Owners Manual, Warranty
 Rifles shown with Standard Accessory Package



RRA
Two Stage
Match Trigger



Mid-Length A4 - AR1239

Shown with optional
6-Position Tactical CAR Stock

MID-LENGTH A2 / A4 - OPTIONS & UPGRADES

Substitute Green Furniture Add **\$10**
 Substitute Entry Buttstock **No Charge**
 Substitute CAA Tactical Buttstock (for A2 Buttstock) Add **\$35**
 Substitute ACE Skeleton ARFX (for A2 Buttstock) Add **\$30**
 Substitute ACE Skeleton ARFX-E (for A2 Buttstock) Add **\$30**
 Substitute Hogue Rubber Pistol Grip Add **\$20**
 Substitute ERGO Pistol Grip Add **\$20**
 Substitute ERGO Target Pistol Grip Add **\$55**
 Substitute Aluminum Free Float Tube, Mid-Length Add **\$55**
 Substitute Quad Rail Free Float, Mid-Length Add **\$125**

Substitute SureFire M85 Tactical Rail Handguard Add **\$195**
 Substitute Daniel Defense Quad Rail 9.0, Mid Add **\$310**
 Substitute A.R.M.S. S.I.R. #58M, Mid-Length A4 Add **\$390**
 Substitute Chrome Lined Barrel, 1:9 Twist Add **\$40**
 Substitute Stainless Steel Barrel, 1:8 Twist Add **\$65**
 Substitute Smith Vortex Flash Hider Add **\$50**
 Substitute Weaver Type Gas Block Sight Base Add **\$35**
 Substitute Winter Trigger Guard Add **\$10**
 Substitute Ambidextrous Safety Selector Add **\$30**
 Substitute Ambidextrous Mag Catch Add **\$88**



RRA
Two Stage
Match Trigger

Standard A2

Standard Configuration..... AR1280 **\$930**

STANDARD CONFIGURATION

CALIBER223 Wylde Chamber
UPPER RECEIVER	Forged A2
BARREL	20" Wilson Chrome Moly HBAR, 1:9 Twist
MUZZLE DEVICE	A2 Flash Hider
TRIGGER	NM Two Stage
PISTOL GRIP	A2 Pistol Grip
HANDGUARD	A2 Handguard
BUTTSTOCK	A2 Buttstock
WEIGHT	8.6 Pounds
LENGTH	39 Inches
ACCURACY	1 MOA at 100 Yards
INCLUDED	One Mag, Safe Case, Owners Manual, Warranty

Rifle shown with Standard Accessory Package

STANDARD A2 - OPTIONS & UPGRADES

Substitute Green Furniture.....	Add	\$10
Substitute ACE Skeleton ARFX Stock, A2 Length.....	Add	\$30
Substitute Hogue Rubber Pistol Grip.....	Add	\$20
Substitute ERGO Pistol Grip.....	Add	\$20
Substitute Aluminum Free Float Tube, Rifle Length.....	Add	\$55
Substitute Hogue Free Float Tube, Rifle Length, Black.....	Add	\$80
Substitute Hogue Free Float Tube, Rifle Length, Green.....	Add	\$85
Substitute Quad Rail Aluminum Free Float, Rifle Length.....	Add	\$160
Substitute Quad Rail Lightweight Free Float, Rifle Length.....	Add	\$160
Substitute SureFire M82 Tactical Rail Handguard.....	Add	\$225
Substitute Daniel Defense Quad Rail 12.0, Rifle Length.....	Add	\$365
Substitute Chrome Lined Barrel, 1:9 Twist.....	Add	\$40
Substitute Stainless Steel Barrel, 1:8 Twist.....	Add	\$65
Substitute Smith Vortex Flash Hider.....	Add	\$50
Substitute Weaver Type Gas Block Sight Base.....	Add	\$35



RRA
Two Stage
Match Trigger

Standard A4

Standard Configuration..... AR1288 **\$890**

STANDARD CONFIGURATION

CALIBER223 Wylde Chamber
UPPER RECEIVER	Forged A4
BARREL	20" Wilson Chrome Moly HBAR, 1:9 Twist
MUZZLE DEVICE	A2 Flash Hider
TRIGGER	NM Two Stage
PISTOL GRIP	A2 Pistol Grip
HANDGUARD	A2 Handguard
BUTTSTOCK	A2 Buttstock
WEIGHT	8.2 Pounds
LENGTH	39 Inches
ACCURACY	1 MOA at 100 Yards
INCLUDED	One Mag, Safe Case, Owners Manual, Warranty

Rifle shown with Standard Accessory Package

STANDARD A4 - OPTIONS & UPGRADES

Substitute Green Furniture.....	Add	\$10
Substitute ACE Skeleton ARFX Stock, A2 Length.....	Add	\$30
Substitute Hogue Rubber Pistol Grip.....	Add	\$20
Substitute ERGO Pistol Grip.....	Add	\$20
Substitute Aluminum Free Float Tube, Rifle Length.....	Add	\$55
Substitute Hogue Free Float Tube, Rifle Length, Black.....	Add	\$80
Substitute Hogue Free Float Tube, Rifle Length, Green.....	Add	\$85
Substitute Quad Rail Aluminum Free Float, Rifle Length.....	Add	\$160
Substitute Quad Rail Lightweight Free Float, Rifle Length.....	Add	\$160
Substitute SureFire M82 Tactical Rail Handguard.....	Add	\$225
Substitute Daniel Defense Quad Rail 12.0, Rifle Length.....	Add	\$365
Substitute A.R.M.S. S.I.R. #59M, Rifle Length A4.....	Add	\$410
Substitute A.R.M.S. S.I.R. #59C, Rifle Length A4.....	Add	\$415
Substitute Chrome Lined Barrel, 1:9 Twist.....	Add	\$40
Substitute Stainless Steel Barrel, 1:8 Twist.....	Add	\$65
Substitute Smith Vortex Flash Hider.....	Add	\$50
Substitute Weaver Type Gas Block Sight Base.....	Add	\$35



NM A2

Standard Configuration AR1285 **\$1,150**

STANDARD CONFIGURATION

CALIBER223 Wylde Chamber
UPPER RECEIVER Forged A2
BARREL 20" Wilson Air-Gauged Match Stainless, 1:8 Twist
MUZZLE DEVICE A2 Flash Hider
TRIGGER NM Two Stage
PISTOL GRIP A2 Pistol Grip
HANDGUARD . Free Float, High Temp Thermo Mold, NM Sleeve
BUTTSTOCK A2 Buttstock
REAR SIGHT Match 1/2 x 1/2 min, .040 Hooded Aperture
FRONT SIGHT NM .050 Post
WEIGHT 9.7 Pounds
LENGTH 39 Inches
ACCURACY 3/4 MOA at 100 Yards
INCLUDED . 20 Rd Mag, Safe Case, Owners Manual, Warranty
 Rifle shown with Standard Accessory Package



Add a **Turner Saddlery All Weather Synthetic Service Rifle Sling**

54"/56" adjustable, with mil-spec parkerized steel hardware, CMP approved.
 Black AR0139B **\$57**
 Green AR0139G **\$57**

NM A2 - OPTIONS & UPGRADES

Substitute Green Furniture. Add **\$10**
 Substitute 1/4 x 1/4 min Match Sight **No Charge**
 Substitute .030 Hooded Aperture **No Charge**



NM A4

With NM Carry Handle

Standard Configuration AR1286 **\$1,200**

STANDARD CONFIGURATION

CALIBER223 Wylde Chamber
UPPER RECEIVER Forged A4 with NM Carry Handle
BARREL 20" Wilson Air-Gauged Match Stainless, 1:8 Twist
MUZZLE DEVICE A2 Flash Hider
TRIGGER NM Two Stage
PISTOL GRIP A2 Pistol Grip
HANDGUARD . Free Float, High Temp Thermo Mold, NM Sleeve
BUTTSTOCK A2 Buttstock
REAR SIGHT Match 1/2 x 1/2 min, .040 Hooded Aperture
FRONT SIGHT NM .050 Post
WEIGHT 9.7 Pounds
LENGTH 39 Inches
ACCURACY 3/4 MOA at 100 Yards
INCLUDED . 20 Rd Mag, Safe Case, Owners Manual, Warranty
 Rifle shown with Standard Accessory Package



Add an **M&D DCM Handguard and Buttstock Weight**.

Handguard Weight, 3.6 pounds RFLWTFRT **\$35**
 Buttstock Weight, 3.5 pounds RFLWTRR **\$25**

NM A4 - OPTIONS & UPGRADES

Substitute Green Furniture. Add **\$10**
 Substitute 1/4 x 1/4 min Match Sight **No Charge**
 Substitute .030 Hooded Aperture **No Charge**

EOP Upper Receiver - 3/4" Taller than the Standard A4

EOP Upper Receiver
"Elevated Optical Platform"

24" Varmint EOP

Varmint EOP

EOP - Elevated Optical Platform

18" Varmint EOP

STANDARD CONFIGURATION

CALIBER223 Wylde Chamber
UPPER RECEIVER Forged EOP - Elevated Optical Platform
BARREL Wilson Air-Gauged Bull Stainless Steel, 1:8 Twist
 Diam: .920 in front of gas block, 1.050 under handguard
GAS BLOCK Weaver Style Light Varmint with Sight Rail
TRIGGER NM Two Stage
TRIGGER GUARD RRA Winter Trigger Guard
PISTOL GRIP Hogue Rubber
HANDGUARD Knurled and Fluted Free Float Aluminum Tube
BUTTSTOCK A2 Buttstock
WEIGHT / LENGTH 16" 8.2 Pounds / 34.25 Inches
 18" 9.0 Pounds / 36.25 Inches
 20" 9.5 Pounds / 38.25 Inches
 24" 10.0 Pounds / 42.25 Inches
ACCURACY 3/4 MOA at 100 Yards
INCLUDED One Mag, Safe Case, Owners Manual, Warranty
 Rifles shown with Standard Accessory Package

RRA Winter
Trigger Guard

RRA Two Stage
Match Trigger

Hogue Rubber Grip

Varmint EOP - 16" Barrel AR1505 **\$1,065**
Varmint EOP - 18" Barrel AR1516 **\$1,075**
Varmint EOP - 20" Barrel AR1525 **\$1,085**
Varmint EOP - 24" Barrel AR1555 **\$1,095**

VARMINT EOP - OPTIONS & UPGRADES

Substitute 1:12 Twist on 24" Model **No Charge**
 Substitute Green Furniture, with Green Hogue Free Float, Green Hogue Grip
 and Green A2 Buttstock (available on 16", 20" and 24" only) Add **\$80**
 Substitute ERGO Target Pistol Grip Add **\$45**
 Substitute Hogue Free Float Tube, CAR Length Add **\$55**
 Substitute Hogue Free Float Tube, Rifle Length Add **\$55**
 Bead Blast Stainless Steel Barrel Add **\$35**

20" Varmint A4

Varmint A4

16" Varmint A4

STANDARD CONFIGURATION

CALIBER223 Wylde Chamber
UPPER RECEIVER Forged A4
BARREL Wilson Air-Gauged Bull Stainless Steel, 1:8 Twist
 Diam: .920 in front of gas block, 1.050 under handguard
GAS BLOCK Weaver Style Light Varmint with Sight Rail
TRIGGER NM Two Stage
TRIGGER GUARD RRA Winter Trigger Guard
PISTOL GRIP Hogue Rubber
HANDGUARD Knurled and Fluted Free Float Aluminum Tube
BUTTSTOCK A2 Buttstock
WEIGHT / LENGTH 16" 7.9 Pounds / 34.25 Inches
 18" 8.7 Pounds / 36.25 Inches
 20" 9.2 Pounds / 38.25 Inches
 24" 9.7 Pounds / 42.25 Inches
ACCURACY 3/4 MOA at 100 Yards
INCLUDED One Mag, Safe Case, Owners Manual, Warranty
 Rifles shown with Standard Accessory Package

RRA Winter
Trigger Guard

RRA Two Stage
Match Trigger

Hogue Rubber Grip

Varmint A4 - 16" Barrel AR1500 **\$1,040**
Varmint A4 - 18" Barrel AR1515 **\$1,050**
Varmint A4 - 20" Barrel AR1520 **\$1,060**
Varmint A4 - 24" Barrel AR1550 **\$1,070**

VARMINT A4 - OPTIONS & UPGRADES

Substitute 1:12 Twist on 24" Model **No Charge**
 Substitute Green Furniture, with Green Hogue Free Float, Green Hogue Grip
 and Green A2 Buttstock (available on 16", 20" and 24" only) Add **\$80**
 Substitute ERGO Target Pistol Grip Add **\$45**
 Substitute Hogue Free Float Tube, CAR Length Add **\$55**
 Substitute Hogue Free Float Tube, Rifle Length Add **\$55**
 Bead Blast Stainless Steel Barrel Add **\$35**

New Predator Pursuit!



PREDATOR PURSUIT RIFLE

Standard Configuration AR1530 **\$1,060**

STANDARD CONFIGURATION

- CALIBER**223 Wylde Chamber
- UPPER RECEIVER** Forged A4
- BARREL** . 20" Wilson Air Gauged Heavy Match Stainless, 1:8 Twist
- GAS BLOCK** Weaver Style Light Varmint with Sight Rail
- TRIGGER** NM Two Stage
- TRIGGER GUARD** RRA Winter Trigger Guard
- PISTOL GRIP** Hogue Rubber
- HANDGUARD** . . . Knurled and Fluted Free Float Aluminum Tube
- BUTTSTOCK** A2 Buttstock
- WEIGHT** 8.1 Pounds
- LENGTH** 38.25 Inches
- ACCURACY** 1 MOA at 100 Yards
- INCLUDED** One Mag, Safe Case, Owners Manual, Warranty
Rifle shown with Standard Accessory Package

RRA Two Stage Match Trigger
RRA Winter Trigger Guard

Hogue Rubber Grip

With Wilson Heavy Match Stainless Steel Barrel

Add a **Flattop Riser Base**
New Improved Design!

AR0136ASY . . . **\$40**



PREDATOR PURSUIT - OPTIONS & UPGRADES

- Substitute Green Furniture, with Green Hogue Free Float, Green Hogue Grip and Green A2 Buttstock. Add **\$80**
- Substitute ACE Skeleton ARFX Stock, A2 Length. Add **\$30**
- Substitute ERGO Target Pistol Grip Add **\$45**
- Substitute Hogue Free Float Tube, Rifle Length Add **\$55**
- Substitute Badger Tactical Latch on Charging Handle Add **\$20**
- Substitute Ambidextrous Safety Selector. Add **\$30**
- Substitute Ambidextrous Mag Catch Add **\$88**
- Bead Blast Stainless Steel Barrel Add **\$35**

New Coyote Rifle!



Coyote Rifle

Standard Configuration AR1535 **\$1,140**

STANDARD CONFIGURATION

- CALIBER**223 Wylde Chamber
- UPPER RECEIVER** Forged A4
- BARREL** 20" Wilson Chrome Moly HBAR, 1:9 Twist
- MUZZLE DEVICE** Smith Vortex Flash Hider
- GAS BLOCK** Weaver Style Light Varmint with Sight Rail
- TRIGGER** NM Two Stage
- TRIGGER GUARD** RRA Winter Trigger Guard
- PISTOL GRIP** Hogue Rubber
- HANDGUARD** Hogue Overmolded Free Float Tube
- BUTTSTOCK** ACE ARFX Skeleton Stock
- WEIGHT** 8.4 Pounds
- LENGTH** 40 Inches
- ACCURACY** 1 MOA at 100 Yards
- INCLUDED** One Mag, Safe Case, Owners Manual, Warranty
Rifle shown with Standard Accessory Package

RRA Two Stage Match Trigger
RRA Winter Trigger Guard

Hogue Rubber Grip



Add the **RRA Scout Rail**
AR0134 **\$65**

COYOTE RIFLE - OPTIONS & UPGRADES

- Substitute Green Furniture, with Green Hogue Free Float, Green Hogue Grip and Green A2 Buttstock. Add **\$10**
- Substitute ERGO Target Pistol Grip Add **\$45**
- Substitute Badger Tactical Latch on Charging Handle Add **\$20**
- Substitute Ambidextrous Safety Selector. Add **\$30**
- Substitute Ambidextrous Mag Catch Add **\$88**

.223 Caliber Pistols

7 Inch A2 Pistol

with Aluminum Free Float Tube and A2 Front Sight

Standard Configuration..... AR2115 **\$920**

7 Inch A4 Pistol

with Aluminum Free Float Tube and Gas Block Sight Base

Standard Configuration..... AR2110 **\$955**

10 1/2 Inch A2 Pistol

with R-4 Handguard and A2 Front Sight

Standard Configuration..... AR2125 **\$910**

10 1/2 Inch A4 Pistol

with R-4 Handguard and Gas Block Sight Base

Standard Configuration..... AR2120 **\$910**

STANDARD CONFIGURATION

- CALIBER**223/5.56 NATO Chamber
- UPPER RECEIVER** Forged A2 or Forged A4
- BARREL** 7" or 10 1/2" Wilson Chrome Moly, 1:9 Twist
- MUZZLE DEVICE** A2 Flash Hider
- TRIGGER** Standard Single Stage
- PISTOL GRIP** Hogue Rubber
- 7" A2: WEIGHT / LENGTH** 5.1 Pounds / 23 Inches
- 7" A4: WEIGHT / LENGTH** 5.0 Pounds / 23 Inches
- 10 1/2" A2: WEIGHT / LENGTH** 5.5 Pounds / 26.5 Inches
- 10 1/2" A4: WEIGHT / LENGTH** 5.2 Pounds / 26.5 Inches
- INCLUDED** One Mag, Owners Manual, RRA Warranty

Pistols shown with Standard Accessory Package



Shown with optional Quad Rail Free Float

9mm Pistols

7 Inch A2 Pistol

with Aluminum Free Float Tube and A2 Front Sight

Standard Configuration 9MM2115 **\$1,090**

7 Inch A4 Pistol

with Aluminum Free Float Tube and Gas Block Sight Base

Standard Configuration 9MM2110 **\$1,105**

10 1/2 Inch A2 Pistol

with R-4 Handguard and A2 Front Sight

Standard Configuration 9MM2125 **\$1,045**

10 1/2 Inch A4 Pistol

with R-4 Handguard and Gas Block Sight Base

Standard Configuration 9MM2120 **\$1,055**

STANDARD CONFIGURATION

- CALIBER** 9mm Luger Chamber
- UPPER RECEIVER** Forged A2 or Forged A4
- BARREL** 7" or 10 1/2" Wilson Chrome Moly, 1:10 Twist
- MUZZLE DEVICE** A2 Flash Hider
- TRIGGER** Standard Single Stage
- PISTOL GRIP** Hogue Rubber
- 7" A2: WEIGHT / LENGTH** 4.8 Pounds / 23 Inches
- 7" A4: WEIGHT / LENGTH** 4.7 Pounds / 23 Inches
- 10 1/2" A2: WEIGHT / LENGTH** 5.2 Pounds / 26.5 Inches
- 10 1/2" A4: WEIGHT / LENGTH** 4.9 Pounds / 26.5 Inches
- INCLUDED** One Mag, Owners Manual, RRA Warranty

Pistols shown with Standard Accessory Package



Shown with optional Quad Rail Free Float

NEW! RRA LAR-15 PISTOLS / .223 & 9MM

NEW!

Pistol Upper Halves / .223 / 9mm



Shown with optional Quad Rail Free Float

.223 Pistol Upper Halves

Includes Bolt Carrier Group and Charging Handle Assembly

For pistol and SBR applications only, all NFA rules apply.

7 Inch A2 Pistol with A2 Front Sight, Aluminum Free Float Tube AR0393B **\$525**

7 Inch A4 Pistol with Gas Block Sight Base, Aluminum Free Float Tube AR0363B **\$535**

10 1/2 Inch A2 Pistol with A2 Front Sight, R-4 Handguard AR0392B **\$480**

10 1/2 Inch A4 Pistol with Gas Block Sight Base R-4 Handguard AR0362B **\$490**

STANDARD CONFIGURATION

CALIBER223/5.56 NATO Chamber

UPPER RECEIVER Forged A2 or Forged A4

BARREL 7" or 10 1/2" Wilson Chrome Moly, 1:9 Twist

MUZZLE DEVICE A2 Flash Hider

9mm Pistol Upper Halves

Includes Bolt Carrier Group and Charging Handle Assembly

For pistol and SBR applications only, all NFA rules apply.

7 Inch A2 Pistol with A2 Front Sight, Aluminum Free Float Tube 9MM0393B **\$545**

7 Inch A4 Pistol with Gas Block Sight Base, Aluminum Free Float Tube 9MM0363B **\$560**

10 1/2 Inch A2 Pistol with A2 Front Sight, R-4 Handguard 9MM0392B **\$500**

10 1/2 Inch A4 Pistol with Gas Block Sight Base R-4 Handguard 9MM0362B **\$515**

STANDARD CONFIGURATION

CALIBER 9mm Luger Chamber

UPPER RECEIVER Forged A2 or Forged A4

BARREL 7" or 10 1/2" Wilson Chrome Moly, 1:10 Twist

MUZZLE DEVICE A2 Flash Hider



Shown with optional Quad Rail Free Float

RRA LAR-15 Pistol Lower



Pistol Lower Receiver

.223 Caliber, stripped AR0114RRAP **\$155**
9mm, stripped 9MM0114RRAP **\$155**

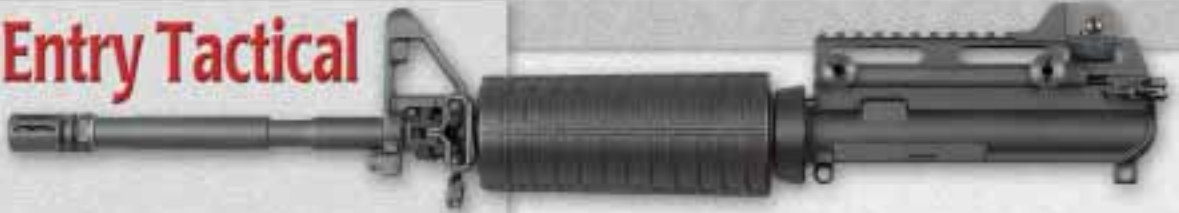


Pistol Complete Lower Half

.223 Caliber AR0950B **\$255**
9mm 9MM0950B **\$445**

NEW! RRA LAR-15 PISTOLS / .223 & 9MM

Entry Tactical



**Includes Bolt Carrier Group
and Charging Handle Assembly**

Standard Configuration AR0840B **\$605**

STANDARD CONFIGURATION

CALIBER223/5.56 NATO Chamber
UPPER Forged A4, with Detachable Tactical Carry Handle
BARREL 16" Wilson R-4 Chrome Moly, 1:9 Twist
MUZZLE DEVICE A2 Flash Hider
HANDGUARD R-4 Handguard

ENTRY TACTICAL - OPTIONS & UPGRADES

Substitute Green Handguard Add **\$5**
Substitute Quad Rail Aluminum Free Float, CAR Length Add **\$120**
Substitute SureFire M73 Tactical Rail Handguard Add **\$196**
Substitute Daniel Defense Quad Rail 7.0, CAR Length Add **\$275**
Substitute Daniel Defense Quad Rail 9.5FSP, CAR Length Add **\$325**
Substitute A.R.M.S. S.I.R. #50M, CAR Length Add **\$360**
Substitute A.R.M.S. S.I.R. #50C, CAR Length Add **\$365**
Substitute Chrome Lined R-4 Barrel, 1:9 Twist Add **\$40**
Substitute Smith Vortex Flash Hider Add **\$50**
Substitute Weaver Type Gas Block Sight Base Add **\$35**
Substitute Dominator EOTech Mount for Tactical Handle **No Charge**

Tactical CAR A4



**Includes Bolt Carrier Group
and Charging Handle Assembly**

Standard Configuration AR0885B **\$605**

STANDARD CONFIGURATION

CALIBER223/5.56 NATO Chamber
UPPER Forged A4, with Detachable Tactical Carry Handle
BARREL 16" Wilson Chrome Moly, 1:9 Twist
MUZZLE DEVICE A2 Flash Hider
HANDGUARD R-4 Handguard

TACTICAL CAR A4 - OPTIONS & UPGRADES

Substitute Green Handguard Add **\$5**
Substitute Quad Rail Aluminum Free Float, CAR Length Add **\$120**
Substitute SureFire M73 Tactical Rail Handguard Add **\$196**
Substitute Daniel Defense Quad Rail 12.0FSP, CAR Add **\$360**
Substitute A.R.M.S. S.I.R. #50M, CAR Length Add **\$360**
Substitute A.R.M.S. S.I.R. #50C, CAR Length Add **\$365**
Substitute Chrome Lined Barrel, 1:9 Twist Add **\$40**
Substitute Stainless Steel Barrel, 1:8 Twist Add **\$65**
Substitute Smith Vortex Flash Hider Add **\$50**
Substitute Badger Tactical Latch on Charging Handle Add **\$20**

Elite CAR A4



**Includes Bolt Carrier Group
and Charging Handle Assembly**

Standard Configuration AR0872B **\$605**

STANDARD CONFIGURATION

CALIBER223/5.56 NATO Chamber
UPPER Forged A4, with Detachable Tactical Carry Handle
BARREL 16" Wilson Chrome Moly, 1:9 Twist
MUZZLE DEVICE A2 Flash Hider
HANDGUARD Mid-Length Handguard

ELITE CAR A4 - OPTIONS & UPGRADES

Substitute Green Handguard Add **\$5**
Substitute Quad Rail Aluminum Free Float, Mid-Length Add **\$125**
Substitute SureFire M85 Tactical Rail Handguard Add **\$195**
Substitute Daniel Defense Quad Rail 9.0, Mid-Length Add **\$310**
Substitute A.R.M.S. S.I.R. #58M, Mid-Length Add **\$390**
Substitute Stainless Steel Barrel, 1:8 Twist Add **\$65**
Substitute Smith Vortex Flash Hider Add **\$50**
Substitute AWB Compliant Muzzle Brake Add **\$35**
Substitute Weaver Type Gas Block Sight Base Add **\$35**
Substitute Dominator EOTech Mount for Tactical Handle **No Charge**
Substitute Badger Tactical Latch on Charging Handle Add **\$20**

TASC

Includes Bolt Carrier Group and Charging Handle Assembly

With R-4 Handguard AR0893B **\$485**
 With Mid-Length Handguard AR0898B **\$485**

STANDARD CONFIGURATION

CALIBER223/5.56 NATO Chamber
UPPER ... Forged A2, Lockable Windage & Elevation Rear Sight
BARREL 16" Wilson Chrome Moly, 1:9 Twist
MUZZLE DEVICE A2 Flash Hider
HANDGUARD R-4 Handguard

AR0898B - With
 Mid-Length Handguard

TASC - OPTIONS & UPGRADES

Substitute Green Handguard Add **\$5**
 Substitute Chrome Lined Barrel, 1:9 Twist Add **\$40**
 Substitute Stainless Steel Barrel, 1:8 Twist Add **\$65**
 Substitute Smith Vortex Flash Hider Add **\$50**

Tactical CAR UTE2

Includes Bolt Carrier Group and Charging Handle Assembly

Standard Configuration AR0889B **\$580**

STANDARD CONFIGURATION

CALIBER223/5.56 NATO Chamber
UPPER One Piece Forged UTE2 - Universal Tactical Entry
BARREL 16" Wilson Chrome Moly, 1:9 Twist
MUZZLE DEVICE A2 Flash Hider
HANDGUARD R-4 Handguard

NEW One Piece UTE2 Upper Receiver
 Now with standard A4 Rail Height

TACTICAL CAR UTE - OPTIONS & UPGRADES

Substitute Green Handguard Add **\$5**
 Substitute Quad Rail Aluminum Free Float, CAR Length Add **\$120**
 Substitute SureFire M73 Tactical Rail Handguard Add **\$196**
 Substitute Daniel Defense Quad Rail 7.0, CAR Length Add **\$275**
 Substitute Daniel Defense Quad Rail 9.5FSP, CAR Length Add **\$325**
 Substitute Daniel Defense Quad Rail 12.0FSP, CAR Add **\$360**
 Substitute Stainless Steel Barrel, 1:8 Twist Add **\$65**
 Substitute Smith Vortex Flash Hider Add **\$50**
 Substitute Weaver Type Gas Block Sight Base Add **\$35**
 Substitute Badger Tactical Latch on Charging Handle Add **\$20**

Elite CAR UTE2

Includes Bolt Carrier Group and Charging Handle Assembly

Standard Configuration AR0874B **\$580**

STANDARD CONFIGURATION

CALIBER223/5.56 NATO Chamber
UPPER One Piece Forged UTE2 - Universal Tactical Entry
BARREL 16" Wilson Chrome Moly, 1:9 Twist
MUZZLE DEVICE A2 Flash Hider
HANDGUARD Mid-Length Handguard

NEW One Piece UTE2 Upper Receiver
 Now with standard A4 Rail Height

ELITE CAR UTE - OPTIONS & UPGRADES

Substitute Green Handguard Add **\$5**
 Substitute Aluminum Free Float Tube, Mid-Length Add **\$55**
 Substitute Quad Rail Aluminum Free Float, Mid-Length Add **\$125**
 Substitute SureFire M85 Tactical Rail Handguard Add **\$195**
 Substitute Daniel Defense Quad Rail 9.0, Mid-Length Add **\$310**
 Substitute Stainless Steel Barrel, 1:8 Twist Add **\$65**
 Substitute Smith Vortex Flash Hider Add **\$50**
 Substitute AWB Compliant Muzzle Brake Add **\$35**
 Substitute Weaver Type Gas Block Sight Base Add **\$35**
 Substitute Badger Tactical Latch on Charging Handle Add **\$20**

COMPLETE UPPER HALVES

CAR A2



Mid-Length A2

Includes Bolt Carrier Group and Charging Handle Assembly

CAR A2 with CAR Handguard
Standard Configuration AR0625B **\$480**

Mid-Length A2 with Mid-Length Handguard
Standard Configuration AR0675B **\$480**

STANDARD CONFIGURATION

- CALIBER**223/5.56 NATO Chamber
- UPPER RECEIVER** Forged A2
- BARREL** 16" Wilson Chrome Moly, 1:9 Twist
- MUZZLE DEVICE** A2 Flash Hider

Shown with optional Stainless Steel Barrel



CAR A2 - OPTIONS & UPGRADES

- Substitute Green Handguard Add \$5
- Substitute Aluminum Free Float Tube Add \$55
- Substitute Hogue Free Float Tube, CAR Length Add \$80
- Substitute A.R.M.S. S.I.R. #51C, CAR Length A2 Add \$365
- Substitute Chrome Lined Barrel, 1:9 Twist Add \$40
- Substitute Stainless Steel Barrel, 1:8 Twist Add \$65
- Substitute Smith Vortex Flash Hider Add \$50
- Substitute AWB Compliant Muzzle Brake Add \$35
- Substitute Badger Tactical Latch on Charging Handle Add \$20

CAR A4



Mid-Length A4

Includes Bolt Carrier Group and Charging Handle Assembly

CAR A4 with CAR Handguard
Standard Configuration AR0325B **\$455**

Mid-Length A4 with Mid-Length Handguard
Standard Configuration AR0375B **\$455**

STANDARD CONFIGURATION

- CALIBER**223/5.56 NATO Chamber
- UPPER RECEIVER** Forged A4
- BARREL** 16" Wilson Chrome Moly, 1:9 Twist
- MUZZLE DEVICE** A2 Flash Hider

CAR A4 - OPTIONS & UPGRADES

- Substitute Green Handguard Add \$5
- Substitute Aluminum Free Float Tube Add \$55
- Substitute Hogue Free Float Tube, CAR Length Add \$80
- Substitute Quad Rail Aluminum Free Float, CAR Length Add \$120
- Substitute Quad Rail Aluminum Free Float, Mid-Length Add \$125
- Substitute SureFire M73 Tactical Rail Handguard Add \$196
- Substitute SureFire M85 Tactical Rail Handguard Add \$195
- Substitute Daniel Defense Quad Rail 7.0, CAR Length Add \$275
- Substitute Daniel Defense Quad Rail 9.0, Mid-Length Add \$310
- Substitute Daniel Defense Quad Rail 9.5FSP, CAR Length Add \$325
- Substitute Daniel Defense Quad Rail 12.0FSP, CAR Add \$360
- Substitute A.R.M.S. S.I.R. #50M, CAR Length A4 Add \$360
- Substitute A.R.M.S. S.I.R. #50C, CAR Length A4 Add \$365
- Substitute A.R.M.S. S.I.R. #58M, Mid-Length A4 Add \$390
- Substitute Chrome Lined Barrel, 1:9 Twist Add \$40
- Substitute Stainless Steel Barrel, 1:8 Twist Add \$65
- Substitute Smith Vortex Flash Hider Add \$50
- Substitute Weaver Type Gas Block Sight Base Add \$35

Standard A2



**Includes Bolt Carrier Group
and Charging Handle Assembly**

20" Wilson HBAR Chrome Moly 1:9 Twist Barrel
Standard Configuration AR0726B **\$505**

20" Wilson Air Gauged Stainless Steel 1:8 Twist Barrel
Standard Configuration AR0727B **\$570**

STANDARD CONFIGURATION

CALIBER 223 Wylde Chamber
UPPER RECEIVER Forged A2
MUZZLE DEVICE A2 Flash Hider
HANDGUARD A2 Handguard

STANDARD A2 - OPTIONS & UPGRADES

Substitute Green Handguard Add **\$5**
Substitute UTE2 Upper Receiver Add **\$40**
Substitute Aluminum Free Float Tube, Rifle Length Add **\$55**
Substitute Hogue Free Float Tube, Rifle Length Add **\$80**
Substitute Quad Rail Aluminum Free Float, Rifle Length Add **\$160**
Substitute SureFire M82 Tactical Rail Handguard Add **\$225**
Substitute Daniel Defense Quad Rail 12.0, Rifle Length Add **\$365**
Substitute Badger Tactical Latch on Charging Handle Add **\$20**
Substitute Chrome Lined Barrel, 1:9 Twist Add **\$40**
Substitute Smith Vortex Flash Hider Add **\$50**
Substitute AWB Compliant Muzzle Brake Add **\$35**

Standard A4



**Includes Bolt Carrier Group
and Charging Handle Assembly**

20" Wilson HBAR Chrome Moly 1:9 Twist Barrel
Standard Configuration AR0450B **\$470**

20" Wilson Air Gauged Stainless Steel 1:8 Twist Barrel
Standard Configuration AR0451B **\$535**

STANDARD CONFIGURATION

CALIBER 223 Wylde Chamber
UPPER RECEIVER Forged A4
MUZZLE DEVICE A2 Flash Hider
HANDGUARD A2 Handguard

Standard A4 shown with optional Quad Rail Handguard and Gas Block

STANDARD A4 - OPTIONS & UPGRADES

Substitute Green Handguard Add **\$5**
Substitute Aluminum Free Float Tube, Rifle Length Add **\$55**
Substitute Hogue Free Float Tube, Rifle Length Add **\$80**
Substitute Quad Rail Aluminum Free Float, Rifle Length Add **\$160**
Substitute SureFire M82 Tactical Rail Handguard Add **\$225**
Substitute Daniel Defense Quad Rail 12.0, Rifle Length Add **\$365**
Substitute A.R.M.S. S.I.R. #59M, Rifle Length A4 Add **\$410**
Substitute A.R.M.S. S.I.R. #59C, Rifle Length A4 Add **\$415**
Substitute Weaver Type Gas Block Sight Base Add **\$35**
Substitute Badger Tactical Latch on Charging Handle Add **\$20**
Substitute Smith Vortex Flash Hider Add **\$50**
Substitute AWB Compliant Muzzle Brake Add **\$35**

COMPLETE UPPER HALVES

Varmint EOP

16" Varmint EOP AR0510 **\$600**

18" Varmint EOP AR0530 **\$610**

20" Varmint EOP AR0560 **\$620**

24" Varmint EOP AR0579 **\$630**

STANDARD CONFIGURATION

CALIBER223 Wylde Chamber
UPPER RECEIVER Forged EOP - Elevated Optical Platform
BARREL Wilson Air-Gauged Bull Stainless Steel, 1:8 Twist
 Diam: .920 in front of gas block, 1.050 under handguard
GAS BLOCK Weaver Style Light Varmint with Sight Rail
HANDGUARD Knurled and Fluted Free Float Aluminum Tube

Includes Bolt Carrier Group and Charging Handle Assembly

VARMINT EOP - OPTIONS & UPGRADES

Substitute 1:12 Twist on 24" Model **No Charge**
 Substitute Hogue Free Float Tube, CAR Length Add **\$55**
 Substitute Hogue Free Float Tube, Rifle Length Add **\$55**
 Substitute Green Hogue Free Float Tube, 16", 20", 24" only Add **\$55**
 Bead Blast Stainless Steel Barrel Add **\$35**

Varmint A4

16" Varmint A4 AR0500 **\$580**

18" Varmint A4 AR0525 **\$590**

20" Varmint A4 AR0550 **\$600**

24" Varmint A4 AR0575 **\$610**

STANDARD CONFIGURATION

CALIBER223 Wylde Chamber
UPPER RECEIVER Forged A4
BARREL Wilson Air-Gauged Bull Stainless Steel, 1:8 Twist
 Diam: .920 in front of gas block, 1.050 under handguard
GAS BLOCK Weaver Style Light Varmint with Sight Rail
HANDGUARD Knurled and Fluted Free Float Aluminum Tube

Includes Bolt Carrier Group and Charging Handle Assembly

VARMINT A4 - OPTIONS & UPGRADES

Substitute 1:12 Twist on 24" Model **No Charge**
 Substitute Hogue Free Float Tube, CAR Length Add **\$55**
 Substitute Hogue Free Float Tube, Rifle Length Add **\$55**
 Substitute Green Hogue Free Float Tube, 16", 20", 24" only Add **\$55**
 Bead Blast Stainless Steel Barrel Add **\$35**

New! Predator Pursuit

20" Predator Pursuit
 AR0565 **\$600**

STANDARD CONFIGURATION

CALIBER223 Wylde Chamber
UPPER RECEIVER Forged A4
BARREL 20" Wilson Air-Gauged Heavy Match Stainless, 1:8 Twist
GAS BLOCK Weaver Type Sight Base
HANDGUARD Knurled and Fluted Free Float Aluminum Tube

New Predator Pursuit with Wilson Heavy Match Stainless Steel Barrel

Includes Bolt Carrier Group and Charging Handle Assembly

PREDATOR PURSUIT - OPTIONS & UPGRADES

Substitute Hogue Free Float Tube, Black or Green Add **\$55**
 Bead Blast Stainless Steel Barrel Add **\$35**

NEW!

.458 SOCOM

.458 SOCOM offers the ultimate combination of firepower and flexibility!



RRA Two Stage Match Trigger

.458 SOCOM CAR A4

Standard Configuration SOC1260 **\$1,065**

STANDARD CONFIGURATION

- CALIBER458 SOCOM Chamber
 - UPPER RECEIVER Forged A4
 - BARREL 16" Chrome Moly Bull Barrel, 1:14 Twist
 - MUZZLE DEVICE A2 Flash Hider
 - GAS BLOCK Weaver Type Sight Base
 - TRIGGER NM Two Stage
 - PISTOL GRIP Standard
 - HANDGUARD Free Float Aluminum Tube
 - BUTTSTOCK A2 Buttstock
 - WEIGHT / LENGTH 7.6 Pounds / 36.5 Inches
 - ACCURACY 1.5 MOA at 100 Yards
 - INCLUDED One Mag, Safe Case, Owners Manual, Warranty
- Rifles shown with Standard Accessory Package

.458 SOCOM CAR A4 - OPTIONS & UPGRADES

- Substitute ACE Skeleton ARFX Stock, A2 Length Add **\$30**
- Substitute 6-Position Tactical CAR Stock Add **\$15**
- Substitute Hogue Rubber Pistol Grip Add **\$20**
- Substitute ERGO Pistol Grip Add **\$20**
- Substitute Hogue Free Float Tube, CAR Length Add **\$55**
- Substitute Green Hogue Free Float Tube, CAR Length Add **\$55**
- Substitute Smith Vortex Flash Hider Add **\$80**
- Substitute Winter Trigger Guard Add **\$10**
- Substitute Badger Tactical Latch on Charging Handle Add **\$20**



.458 SOCOM CAR A4 Complete Upper Half

Includes Bolt Carrier Group and Charging Handle Assembly

Standard Configuration SOC0370 **\$660**

STANDARD CONFIGURATION

- CALIBER458 SOCOM Chamber
- UPPER RECEIVER Forged A4
- BARREL 16" Chrome Moly Bull Barrel, 1:14 Twist
- MUZZLE DEVICE A2 Flash Hider
- GAS BLOCK Weaver Type Sight Base
- HANDGUARD Free Float Aluminum Tube

Our new .458 SOCOM upper half works with standard AR lower receivers and **unmodified** .223 caliber AR mags. (Not compatible with Beta-C Mag)

.458 SOCOM CAR A4 - OPTIONS & UPGRADES

- Substitute Hogue Free Float Tube, CAR Length Add **\$55**
- Substitute Green Hogue Free Float Tube, CAR Length Add **\$55**
- Substitute Smith Vortex Flash Hider Add **\$80**
- Substitute Badger Tactical Latch on Charging Handle Add **\$20**

.458 SOCOM Smith Vortex Flash Hider



SOC0001V ... **\$85**



COR®BON FACTORY .458 SOCOM

.458 SOCOM ammunition is available in a variety of factory loads from COR®BON. For more info visit www.corbon.com or call **1-800-626-7266**.

NEW! .458 SOCOM RIFLE / UPPER HALF

.308 Caliber RRA LAR-10 Rifles

NEW!

Available Fall 2006

RRA LAR-10 Varmint A4

Standard Configuration 308A1560 **\$1,350**

STANDARD CONFIGURATION

CALIBER308/7.62mm
UPPER RECEIVER Forged A4
BARREL 26" Wilson Air-Gauged Bull Stainless Steel, 1:10 Twist
GAS BLOCK Weaver Type Sight Base
TRIGGER NM Two Stage
PISTOL GRIP Hogue Rubber

HANDGUARD Free Float Aluminum Tube
BUTTSTOCK A2 Buttstock
WEIGHT / LENGTH 11.6 Pounds / 47 Inches
ACCURACY 1 MOA at 100 Yards
INCLUDED One Magazine, Safe Case, Owners Manual, Warranty
 Rifles shown with Standard Accessory Package

FAL (Metric) or
L1A1 (Inch) Mags

RRA LAR-10 Standard A2/A4

Standard A2 308A1280 **\$1,145**

Standard A4 308A1288 **\$1,100**

STANDARD CONFIGURATION

CALIBER308/7.62mm
UPPER RECEIVER Forged A2 or Forged A4
BARREL 20" Wilson Chrome Moly, 1:10 Twist
MUZZLE DEVICE A2 Flash Hider
FRONT SIGHT A2: A2 Front Sight / A4: Gas Block Sight Base
TRIGGER NM Two Stage
PISTOL GRIP Hogue Rubber

HANDGUARD A2 Handguard
BUTTSTOCK A2 Buttstock
A2: WEIGHT / LENGTH 9.3 Pounds / 42 Inches
A4: WEIGHT / LENGTH 9.0 Pounds / 42 Inches
ACCURACY 1 MOA at 100 Yards
INCLUDED One Magazine, Safe Case, Owners Manual, Warranty
 Rifles shown with Standard Accessory Package

FAL (Metric) or
L1A1 (Inch) Mags

RRA LAR-10 Mid-Length A2/A4

Mid-Length A2 308A1295 **\$1,150**

Mid-Length A4 308A1239 **\$1,100**

STANDARD CONFIGURATION

CALIBER308/7.62mm
UPPER RECEIVER Forged A2 or Forged A4
BARREL 16" Wilson Chrome Moly, 1:10 Twist
MUZZLE DEVICE A2 Flash Hider
FRONT SIGHT A2: A2 Front Sight / A4: Gas Block Sight Base
TRIGGER NM Two Stage
PISTOL GRIP Hogue Rubber

HANDGUARD Mid-Length Handguard
BUTTSTOCK 6-Position Tactical CAR Stock
A2: WEIGHT / LENGTH 8.6 Pounds / 38 Inches
A4: WEIGHT / LENGTH 8.1 Pounds / 38 Inches
ACCURACY 1.5 MOA at 100 Yards
INCLUDED One Magazine, Safe Case, Owners Manual, Warranty
 Rifles shown with Standard Accessory Package

FAL (Metric) or
L1A1 (Inch) Mags

NEW! .308 CALIBER RRA LAR-10 RIFLES

NEW!

9MM RRA COMPLETE RIFLES

Rifles shown with
Standard Accessory Package



Tactical
CAR Stock

9mm CAR A2

Standard Configuration 9MM1295 **\$1,060**

STANDARD CONFIGURATION

CALIBER 9mm Luger Chamber
UPPER RECEIVER Forged A2
BARREL 16" Wilson Chrome Moly, 1:10 Twist
MUZZLE DEVICE A1 Flash Hider
TRIGGER Standard Single Stage
PISTOL GRIP Standard
HANDGUARD CAR Length
BUTTSTOCK 6-Position Tactical CAR Stock
WEIGHT / LENGTH 7.5 Pounds / 36 Inches
ACCURACY 1.5 inches at 50 Yards
INCLUDED One Mag, Safe Case, Owners Manual, Warranty



9mm CAR A2
Shown with optional Mid-Length
Handguard and Green Furniture



Tactical
CAR Stock

9mm CAR A4

Standard Configuration 9MM1222 **\$1,035**

STANDARD CONFIGURATION

CALIBER 9mm Luger Chamber
UPPER RECEIVER Forged A4
BARREL 16" Wilson Chrome Moly, 1:10 Twist
MUZZLE DEVICE A1 Flash Hider
TRIGGER Standard Single Stage
PISTOL GRIP Standard
HANDGUARD CAR Length
BUTTSTOCK 6-Position Tactical CAR Stock
WEIGHT / LENGTH 7.1 Pounds / 36 Inches
ACCURACY 1.5 inches at 50 Yards
INCLUDED One Mag, Safe Case, Owners Manual, Warranty



9mm CAR A4
Shown with optional Mid-Length
Handguard and Green Furniture

9MM CAR A2 / CAR A4 - OPTIONS & UPGRADES

Substitute Green Furniture Add **\$10**
 Substitute A2 Buttstock **No Charge**
 Substitute ACE Skeleton ARFX Stock, A2 Length Add **\$20**
 Substitute ACE Skeleton ARFX-E, Entry Length Add **\$20**
 Substitute Hogue Rubber Pistol Grip Add **\$20**
 Substitute ERGO Pistol Grip Add **\$20**
 Substitute ERGO Target Pistol Grip Add **\$55**
 Substitute Mid-Length Handguard **No Charge**
 Substitute Aluminum Free Float Tube, CAR or Mid Add **\$55**
 Substitute Hogue Free Float Tube, CAR Length Add **\$80**
 Substitute Quad Rail Free Float, CAR Length Add **\$120**

Substitute Quad Rail Free Float, Mid-Length Add **\$125**
 Substitute SureFire M73 Tactical Rail Handguard Add **\$196**
 Substitute SureFire M85 Tactical Rail Handguard Add **\$195**
 Substitute A.R.M.S. S.I.R. #50M, CAR Length A4 Add **\$360**
 Substitute A.R.M.S. S.I.R. #50C, CAR Length A4 Add **\$365**
 Substitute A.R.M.S. S.I.R. #51C, CAR Length A2 Add **\$365**
 Substitute A.R.M.S. S.I.R. #58M, Mid-Length A4 Add **\$390**
 Substitute Smith Vortex Flash Hider Add **\$50**
 Substitute Muzzle Brake for A1 Flash Hider Add **\$35**
 Substitute Weaver Type Gas Block Sight Base Add **\$35**
 Substitute Winter Trigger Guard Add **\$10**

9MM CONVERSION INFORMATION

In addition to the upper half, certain other parts are required to complete the 9mm conversion. A lower half with standard (non match/2-stage) internal parts is required, and a 9mm hammer must be installed in place of the .223 hammer. The 9mm magwell conversion block (which uses modified Uzi magazines or Colt-style SMG magazines) is also required. If using a CAR length receiver extension (as used in RRA collapsible CAR and A4 stocks as well as entry tactical stocks), the 9mm buffer replaces the CAR buffer. If using the standard receiver extension (as used in A1/A2 stocks and RRA non-collapsible CAR stocks), installation of the 9mm stock spacer, CAR action spring, and 9mm buffer is required.

If you have any questions about 9mm conversions, please call Rock River Arms.



Shown with optional Green Handguard

9MM CAR A2 - OPTIONS & UPGRADES

Substitute Green Handguard	Add \$5
Substitute Aluminum Free Float Tube	Add \$55
Substitute Quad Rail Aluminum Free Float, CAR Length	Add \$120
Substitute Quad Rail Aluminum Free Float, Mid-Length	Add \$125
Substitute A.R.M.S. S.I.R. #51C, CAR Length A2	Add \$365
Substitute Weaver Type Gas Block Sight Base	Add \$35
Substitute Smith Vortex Flash Hider	Add \$50
Substitute AWB Compliant Muzzle Brake	Add \$35



Shown with optional Mid-Length Free Float Tube and Gas Block Sight Base

9MM CAR A4 - OPTIONS & UPGRADES

Substitute Green Handguard	Add \$5
Substitute Aluminum Free Float Tube	Add \$55
Substitute Quad Rail Aluminum Free Float, CAR Length	Add \$120
Substitute Quad Rail Aluminum Free Float, Mid-Length	Add \$125
Substitute SureFire M73 Tactical Rail Handguard	Add \$196
Substitute SureFire M85 Tactical Rail Handguard	Add \$195
Substitute Daniel Defense Quad Rail 7.0, CAR Length	Add \$275
Substitute Daniel Defense Quad Rail 9.0, Mid-Length	Add \$310
Substitute A.R.M.S. S.I.R. #50M, CAR Length A4	Add \$360
Substitute A.R.M.S. S.I.R. #50C, CAR Length A4	Add \$365
Substitute A.R.M.S. S.I.R. #58M, Mid-Length A4	Add \$390
Substitute Weaver Type Gas Block Sight Base	Add \$35
Substitute Smith Vortex Flash Hider	Add \$50

9mm CAR A2 Complete Upper Halves

Includes Bolt Carrier Group
and Charging Handle Assembly

9mm CAR A2 with CAR Handguard

Standard Configuration..... 9MM0550B **\$500**

9mm CAR A2 with Mid-Length Handguard

Standard Configuration..... 9MM0650B **\$500**

STANDARD CONFIGURATION

CALIBER	9mm Luger Chamber
UPPER RECEIVER	Forged A2
BARREL	16" Wilson Chrome Moly, 1:10 Twist
MUZZLE DEVICE	A1 Flash Hider

9mm CAR A4 Complete Upper Halves

Includes Bolt Carrier Group
and Charging Handle Assembly

9mm CAR A4 with CAR Handguard

Standard Configuration..... 9MM0350B **\$480**

9mm CAR A4 with Mid-Length Handguard

Standard Configuration..... 9MM0450B **\$480**

STANDARD CONFIGURATION

CALIBER	9mm Luger Chamber
UPPER RECEIVER	Forged A4
BARREL	16" Wilson Chrome Moly, 1:10 Twist
MUZZLE DEVICE	A1 Flash Hider

9MM CONVERSION PARTS



9mm Forged A2 Upper Receiver Assembly

Complete with rear sight, port door and case deflector.
9MM0052AASY \$185



9mm Forged Lower Receiver

9mm marked, stripped 9MM0114RRA \$155



9mm Forged A4 Upper Receiver Assembly

Complete with port door, case deflector.
9MM0052BASY \$160



9mm Complete Lower Half

9mm marked, complete with all necessary conversions parts.
With A2 Buttstock 9MM0900B \$450
With 6-Position Tactical Stock 9MM0901C \$465



9mm Barrel Assemblies

16" Wilson Chrome Moly, 1:10 Twist
Includes barrel nut, handguard cap and front sight housing.
16" CAR Barrel Assemblies
With bayonet lug, threaded 9MM0201ASY \$185
16" Mid-Length Barrel Assemblies
With bayonet lug, threaded 9MM0205ASY \$185

9mm Magwell Conversion Block

9MM0115 \$150



9mm UZI Mag 25 Round

Modified for conversion use 9MM0116 \$35

9mm 10 Round Mag

9MM0116LC \$45



9mm Buffer

9MM0107 \$25

9mm Stock Spacer

9MM0073 \$8

CAR Action Spring

AR0072A \$4



9mm Bolt Carrier Assembly

Complete 9MM0032ASY \$170

9mm Firing Pin

9MM0027 \$12

9mm Firing Pin Spring

9MM0027S \$2

9mm Bolt Carrier Key

9MM0029 \$20

9mm Extractor

9MM0037 \$25

9mm Extractor Pin

9MM0038 \$1

9mm Ejektor

9MM0041 \$8



9mm Hammer

9MM0106 \$15



9mm A1 Style Flash Hider

9MM0001 \$11



9mm Smith Vortex Flash Hider

9MM0001V \$51



9mm Ejection Port Door

9MM0048 \$9

9mm Ejection Port Door Kit

9MM0048K \$11



9mm Case Deflector

Black, with spring
9MM0042B \$12

Green, with spring
9MM0042G \$12

9MM RIFLES / UPPERS / PARTS

Patent Pending NM Carry Handle Available Separately

NM A2 / NM A4 Complete Upper Halves

Includes Bolt Carrier Group and Charging Handle Assembly

NM A2 Upper Half

Standard Configuration AR0775B **\$675**

NM A4 Upper Half

Standard Configuration AR0790B **\$630**

STANDARD CONFIGURATION

CALIBER223 Wylde Chamber
UPPER RECEIVER Forged A2 or A4, selected for extra tight NM fit
BARREL 20" Wilson Air-Gauged Match Stainless, 1:8 Twist
MUZZLE DEVICE A2 Flash Hider
HANDGUARD Free Float, High Temp Thermo Mold with NM Sleeve
REAR SIGHT A2 only: Match 1/2 x 1/2 min, .040 Hooded Aperture
FRONT SIGHT050 Post

NM A2 / NM A4 - OPTIONS & UPGRADES

Substitute Green Handguard **No Charge**
A2 - Substitute 1/4 x 1/4 min Match Sight **No Charge**
A2 - Substitute .030 Hooded Aperture **No Charge**



NM Complete Lower Half

RRA NM Two Stage Trigger

Black Grip and A2 Buttstock AR0940B **\$365**

NM Selected Fit Upper and Lower Receiver Set

Forged A2 upper receiver and forged lower receiver, specially selected for an extra tight NM fit!



Match Receiver Set, stripped AR0114A2SET **\$350**



Rock River Arms NM Two Stage Trigger Kit

AR0093NMK **\$120**

To fit large pin lowers with block - AR0093NMKS **\$135**

Forged A2 Upper Receiver Assembly

Complete with forward assist, port door and NM Sight - 1/4 min x 1/4 min or 1/2 min x 1/2 min, with .030 or .040 hooded aperture.

AR0052ANMASY **\$210**

NEW! NM Carry Handle

Patent pending.

A true 0 to 600 yard capable carry handle!

1/2min x 1/2min, .040 AR0052CNMASY **\$160**

1/2min x 1/2min, .030 AR0052CNMASY2 **\$160**

1/4min x 1/4min, .040 AR0052CNMASY3 **\$160**

1/4min x 1/4min, .030 AR0052CNMASY4 **\$160**



NM Front & Rear Sight Kit

Available with 1/4 min x 1/4 min or 1/2 min x 1/2 min MOA, and .030 or .040 hooded aperture, with .050 front sight post.

AR0070NMKIT **\$110**

NM Front Sight Post .050 AR0009NM050 **\$7.50**

NM Free Float Barrel Sleeve

AR0127 **\$100**

With Thermo Mold Handguard AR0129 **\$130**

With Injection Molded Handguard AR0128 **\$115**

M&D DCM Handguard Weight

3.6 pounds RFLEWTFRT **\$35**

M&D DCM Buttstock Weight

3.5 pounds RFLEWTRR **\$25**



NM UPPER HALVES / PARTS

Forged Lower Receiver



Stripped AR0114RRA **\$155**

Mil-Spec Lower Receiver Parts Kits

- Standard Trigger, Black Pistol Grip AR0120 **\$70**
- Standard Trigger, Green Pistol Grip AR0120G **\$70**
- NM Trigger, Black Pistol Grip AR0120NM **\$180**
- NM Trigger, Green Pistol Grip AR0120NMG **\$180**

New! Winter Trigger Guard

AR0091W **\$15**



Star Safety Selector

AR0104D **\$9**



Ambi-Catch

Ambi mag release, drop-in design.

AR0099A **\$90**



Complete Lower Half

With A2 Buttstock

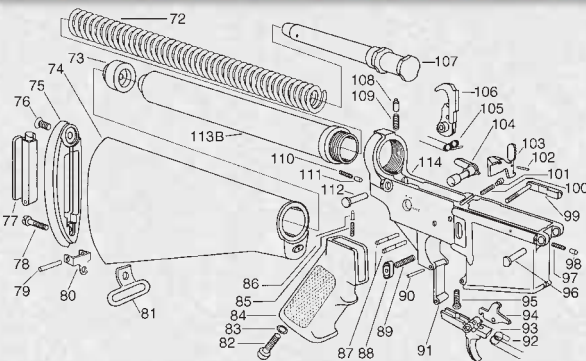
- With Standard Trigger AR0900B **\$275**
- With NM Trigger AR0940B **\$365**
- Substitute Green Buttstock and Grip Add **\$10**
- Substitute Hogue Rubber Grip Add **\$20**

Complete Lower Half

With Tactical CAR Stock

- With Standard Trigger AR0901C **\$290**
- With NM Trigger AR0990C **\$380**
- Substitute Green Buttstock and Grip Add **\$10**
- Substitute Hogue Rubber Grip Add **\$20**

MIL-SPEC LOWER RECEIVER PARTS



- 72A Action spring, CAR AR0072A \$4.00
- 72B Action spring, standard AR0072B \$4.00
- 73 Buttcap spacer AR0073 \$1.50
- 74 Buttstock, black AR0074 \$19.00
- 74G Buttstock, green AR0074G \$20.00
- 75 Buttplate AR0075 \$3.00
- 76 Buttplate screw AR0076 \$2.50
- 77 Trap Door Assembly, plastic AR0077PASY \$5.00
- 78 Rear swivel screw AR0078 \$1.00
- 79 Trap door hinge pin AR0079 \$.75
- 80 Trap door hinge AR0080 \$3.00
- 81 Rear sling swivel AR0081 \$2.75
- 82 Pistol grip screw AR0082 \$1.00
- 83 Lock washer AR0083 \$.50
- 84 Pistol grip, black AR0084 \$4.00
- 84G Pistol grip, green AR0084G \$4.50
- 85 Safety detent spring AR0085 \$.50
- 86 Safety detent AR0086 \$.75
- 87 Hammer and trigger pin AR0087 \$1.10

- 87NM Hammer and trigger pin, NM AR0087NM \$2.00
- 88 Magazine release button AR0088 \$2.00
- 89 Magazine catch spring AR0089 \$.50
- 90 Trigger guard pivot roll pin AR0090 \$.50
- 91 Trigger guard AR0091 \$5.00
- 92 Trigger spring AR0092 \$1.00
- 93 Trigger, standard AR0093 \$12.50
- 94 Disconnecter AR0094 \$4.00
- 95 Disconnecter spring AR0095 \$.50
- 96 Pivot pin AR0096 \$3.50
- 97 Pivot pin spring AR0097 \$.50
- 98 Pivot pin detent AR0098 \$.50
- 99 Magazine catch AR0099B \$5.00
- 100 Bolt catch spring AR0100 \$.50
- 101 Bolt catch plunger AR0101 \$.60
- 102 Bolt catch roll pin AR0102 \$.50
- 103 Bolt catch AR0103 \$7.00
- 104 Safety selector lever, standard AR0104 \$9.00
- 104 Safety selector lever, Ambi AR0104AMBI \$35.00
- 104D Safety selector lever, Star AR0104D \$9.00
- 105 Hammer spring AR0105 \$1.00
- 106 Hammer with J pin, standard AR0106 \$14.00
- 107A Buffer assembly, CAR AR0107A \$10.50
- 107H Buffer assembly, CAR heavy AR0107AH \$23.00
- 107B Buffer assembly, standard AR0107B \$12.50
- 108 Buffer retainer AR0108 \$.70
- 109 Buffer retainer spring AR0109 \$.50
- 110 Takedown pin spring AR0110 \$.50
- 111 Takedown pin detent AR0111 \$.50
- 112 Takedown pin AR0112 \$3.50
- 113A Receiver extension, CAR AR0113A \$18.00
- 113B Receiver extension, standard AR0113B \$16.50
- 113T Receiver extension, entry length AR0113T \$20.00
- AR0172CB \$6.00

New, Improved CAR Buttstock Lock Ring Nut

AR0172CB \$6.00

Wilson Chrome Moly Heavy Barrel Assemblies

1:9 twist, includes barrel nut, handguard cap, front sight housing.



16" CAR Barrel Assembly

With Bayonet Lug, Threaded

5.56mm NATO Chamber AR0200ASY **\$190**

With Chrome Lined Bore and Chamber

5.56mm NATO Chamber AR0200CLASY **\$235**



16" Mid-Length Barrel Assembly

With Bayonet Lug, Threaded

5.56mm NATO Chamber AR0210ASY **\$190**

With Chrome Lined Bore and Chamber

5.56mm NATO Chamber AR0212ASY **\$235**



20" Standard Barrel Assembly

With Bayonet Lug, Threaded

.223 Wylde Chamber AR0220ASY **\$200**

With Chrome Lined Bore and Chamber

.223 Wylde Chamber AR0221ASY **\$245**

Wilson Chrome Moly R-4 Barrel Assemblies

1:9 twist, includes barrel nut, handguard cap, front sight housing.



16" R-4 CAR Barrel Assembly

With Bayonet Lug, Threaded

5.56mm NATO Chamber AR0202ASY **\$190**

With Chrome Lined Bore and Chamber

5.56mm NATO Chamber AR0204ASY **\$235**

Wilson Air-Gauged Stainless Steel Heavy Barrel Assemblies

1:8 twist, includes barrel nut, handguard cap, front sight housing.



16" CAR Barrel Assembly

With Bayonet Lug, Threaded

.223 Wylde Chamber AR0206ASY **\$235**



16" Mid-Length Barrel Assembly

With Bayonet Lug, Threaded

.223 Wylde Chamber AR0215ASY **\$235**



20" Standard Barrel Assembly

With Bayonet Lug, Threaded

.223 Wylde Chamber AR0222ASY **\$250**

Wilson Air-Gauged Stainless Steel Varmint Barrel Assemblies

Includes Weaver type gas block sight base.

Barrel Diameter: .920 in front of gas block, 1.050 under handguard.

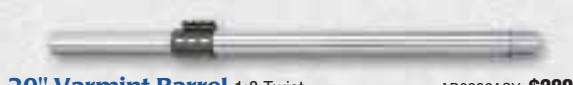
.223 Wylde Chamber



16" Varmint Barrel 1:8 Twist AR0208ASY **\$260**



18" Varmint Barrel 1:8 Twist AR0218ASY **\$270**



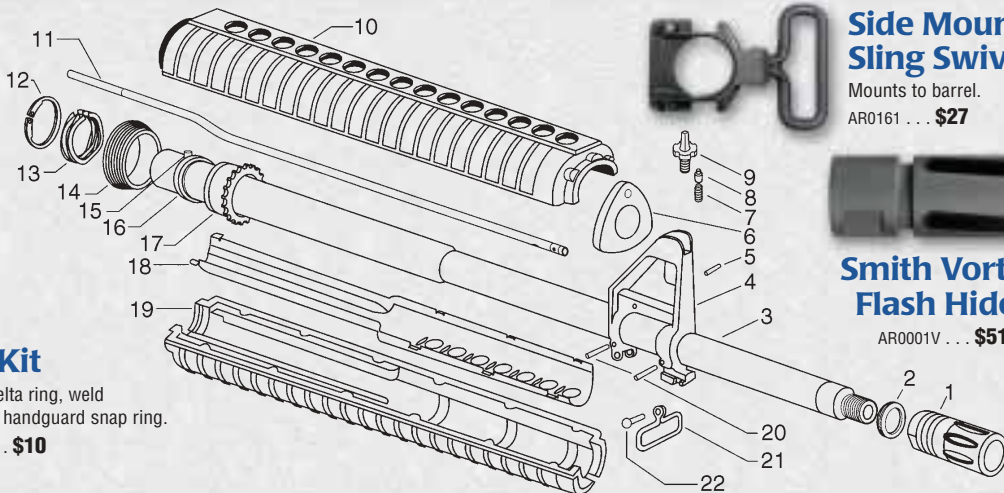
20" Varmint Barrel 1:8 Twist AR0226ASY **\$280**



24" Varmint Barrel 1:8 Twist AR0228ASY **\$290**

24" Varmint Barrel 1:12 Twist AR0229ASY **\$290**

BARREL ASSEMBLY PARTS



Delta Ring Kit

Includes delta ring, weld spring and handguard snap ring.

AR0014K . . . \$10

Side Mount Sling Swivel

Mounts to barrel.
AR0161 . . . \$27

Smith Vortex Flash Hider

AR0001V . . . \$51

1	Flash Hiders & Muzzle Brakes -- See Below	
2C	Crush washer	AR0002C \$2.50
3	Barrels -- See Page 30	
4A	Front sight housing, with bayonet lug	AR0004A \$35.00
4B	Front sight housing, w/out bayo lug	AR0004B \$35.00
4NM	Front sight housing, NM	AR0004NM \$35.00
5	Gas tube roll pin	AR0005 \$5.50
6A	Handguard cap, round	AR0006A \$2.00
6B	Handguard cap, triangle	AR0006B \$2.00
7	Front sight detent spring	AR0007 \$5.50
8	Front sight detent	AR0008 \$.75
9	Front sight post, square	AR0009 \$3.00
10	Handguards -- See Pages 34, 35	
11A	Gas tube, CAR	AR0011A \$10.00
11B	Gas tube, standard	AR0011B \$10.00
11C	Gas tube, mid-length	AR0011C \$10.00
11NM	Gas tube, NM	AR0011NM \$10.00
12	Handguard snap ring	AR0012 \$1.00
13	Weld spring	AR0013 \$4.50
14	Delta ring	AR0014 \$6.00
15	Barrel indexing pin	AR0015 \$2.00
16	Barrel extension, .223	AR0016 \$20.00
17	Barrel nut, standard	AR0017 \$6.00
17NM	Barrel nut, NM	AR0017NM \$25.00
18	Handguard liner, each (2 required)	AR0018 \$3.00
20	Front sight taper pin, each (2 req'd)	AR0020TAP \$3.00
20	Front sight dowel pin, each (2 req'd)	AR0020DOW \$3.00
21	Front sling swivel	AR0021 \$3.50
22	Front sling swivel rivet	AR0022 \$1.00



Detachable Front Sight

AR0160 . . . \$35

Weaver Type Gas Block Sight Base

AR0122ASY . . . \$46

Varmint Barrel . . . AR0122VASY \$45



A1 Flash Hider

AR0001A1 . . . \$6



A2 Flash Hider

AR0001A2 . . . \$5.25



Tactical Muzzle Brake

AWB Compliant . . . AR0117T \$35



Military Style Muzzle Brake

AWB Compliant . . . AR0117MS \$35



LE Compensator

AWB Compliant . . . AR0117LE \$35



Flip Front Sight Gas Block Assembly

With Bayonet Lug . . . AR3300 \$90

AWB compliant, without Bayo Lug . . . AR3301 \$90

Front Sight Accessory Mount

AR0159 \$40



RRA FORGED UPPER RECEIVERS



Complete A2 Upper Receiver Assembly

With rear sight, forward assist and port door AR0052AASY **\$175**
Stripped A2 Upper Receiver AR0052A **\$110**

Complete A4 Upper Receiver Assembly

With forward assist and port door AR0052BASY **\$130**
Stripped A4 Upper Receiver AR0052B **\$110**

IRS – INTEGRATED REAR SIGHT Complete IRS Upper Receiver Assembly

With Integrated Flip-up Rear Sight - Coming soon!

With flip-up rear sight, forward assist and port door AR0052IASY **\$210**



UTE2 - With Rail Height same as A4 Upper

UTE2 – UNIVERSAL TACTICAL ENTRY Complete UTE2 Upper Receiver Assembly

With rear sight, forward assist and port door AR0052UASY **\$210**
Stripped UTE2 Upper Receiver AR0052U **\$150**

EOP – ELEVATED OPTICAL PLATFORM Complete EOP Upper Receiver Assembly

3/4" Taller than the A4 Receiver

With forward assist and port door AR0052EASY **\$150**
Stripped EOP Upper Receiver AR0052E **\$135**

A2 Carry Handle Assembly

With A2 Rear Sight AR0052CASY **\$135**

New! NM Carry Handle Assembly

A true 0 to 600 yard capable carry handle! Patent pending.

1/2min x 1/2min, .040 AR0052CNMASY **\$160**
 1/2min x 1/2min, .030 AR0052CNMASY2 **\$160**
 1/4min x 1/4min, .040 AR0052CNMASY3 **\$160**
 1/4min x 1/4min, .030 AR0052CNMASY4 **\$160**



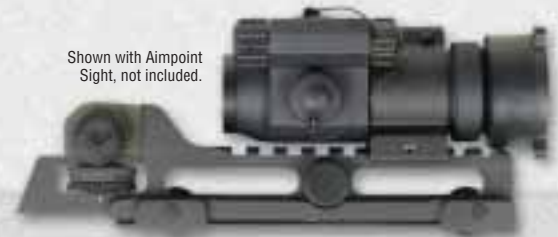
EOTech Sight not included.

RRA Dominator EOTECH Mount Assembly

Designed for FBI SWAT and HRT!

The ideal EOTech mount, places the dot just above the front sight post. With integral A2 Rear Sight AR0125EASSY **\$175**

Shown with Aimpoint Sight, not included.



Tactical Carry Handle Assembly

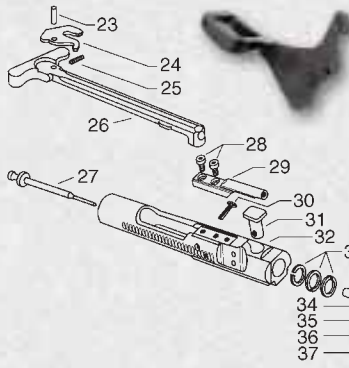
With A2 Rear Sight AR0125ASSY **\$175**



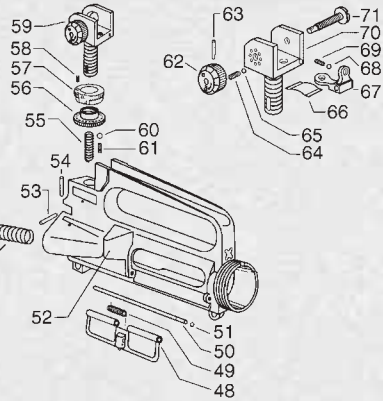
RRA Dominator² Assembly

The new Dominator2 with seven slots for greater mounting flexibility. With integral A2 Rear Sight AR0125FASSY **\$185**

UPPER RECEIVER PARTS



Badger Tactical Latch
AR0142 \$22



23	Charging handle latch roll pin	AR0023	\$5.00
24	Charging handle latch	AR0024	\$2.50
25	Charging handle latch spring	AR0025	\$5.00
26	Charging handle	AR0026	\$19.00
27	Firing pin	AR0027	\$7.00
28	Bolt carrier key screw, each (2 req'd)	AR0028	\$1.00
29	Bolt carrier key	AR0029	\$10.00
30	Firing pin retaining pin	AR0030	\$1.00
31	Cam pin	AR0031	\$4.50
32A	Bolt carrier, semi-auto	AR0032A	\$70.00
33A	Bolt gas ring Improved , each (3 req'd)	AR0033A	\$1.50
34	Bolt	AR0034	\$35.00
35	Extractor spring	AR0035	\$5.00
36	Extractor spring insert	AR0036	\$5.00
37	Extractor	AR0037	\$14.00
38	Extractor pin	AR0038	\$1.00
39	Ejector roll pin	AR0039	\$5.00
40	Ejector spring	AR0040	\$5.00
41	Ejector	AR0041	\$1.50
42	Forward Assist Assembly	AR0042ASY	\$10.50
43	Pawl spring pin	AR0043	\$5.00
44	Pawl spring	AR0044	\$5.00
45	Pawl detent	AR0045	\$1.25
46	Forward assist pawl	AR0046	\$4.00
47	Forward assist spring	AR0047	\$1.00
48	Ejection port cover	AR0048	\$4.00
49	Ejection port cover spring	AR0049	\$5.00
50	Ejection port cover pin	AR0050	\$1.00

51	Pin retaining ring	AR0051	\$5.00
52	Upper Receivers -- See Page 32		
53	Rear sight elevation spring pin	AR0053	\$5.00
54	Forward assist spring pin	AR0054	\$5.00
55	Rear sight elevation spring	AR0055	\$5.00
56	Rear sight elevation knob	AR0056	\$5.50
56NM	Rear sight elevation index knob, NM one piece	AR0056/57NM	\$20.00
57	Rear sight elevation index	AR0057	\$5.50
58	Index screw	AR0058	\$1.75
59	Rear sight assembly	AR0059	\$35.00
60	Ball bearing	AR0060	\$5.00
61	Elevation index spring	AR0061	\$5.00
62	Rear sight windage knob	AR0062	\$6.00
62LK	Rear sight windage knob, lockable	AR0062LK	\$8.00
62LKS	Lockable knob locking screw	AR0062LKS	\$1.50
63	Rear sight windage knob pin	AR0063	\$5.00
64	Rear sight index spring	AR0064	\$5.00
65	Rear sight ball bearing	AR0065	\$5.00
66	Rear sight flat spring	AR0066	\$7.50
67	Rear sight aperture	AR0067	\$6.50
68	Rear sight ball bearing	AR0068	\$5.00
69	Rear sight helical spring	AR0069	\$5.00
70	Rear sight base	AR0070	\$17.00
70NM	Rear sight base, NM	AR0070NM	\$26.00
71	Rear sight windage screw	AR0071	\$3.00
71NM	Rear sight windage screw, NM	AR0071NM	\$6.00

Forged Charging Handle Assembly

AR0026ASY \$25



Complete Bolt Carrier Group

AR0032AGRP \$130

Bolt Assembly

AR0034ASY \$60

Forward Assist Kit

AR0042K \$12

Port Door Kit

AR0048K \$6.50

A2 Rear Sight Kit

AR0070STDKIT \$60

Improved Bolt Gas Ring

Patented design assures ring gaps will not align.

Each, 3 required AR0033A \$1.50

Accu-Wedge Buffer

Drop-in installation, eliminates play between the upper and lower receiver. You won't need one on your RRA rifle, why not buy one for a friend AR0190 \$6

Offset Pin Adapts large hole lower to small hole upper AR0192 \$4

Offset Bushing

Adapts large hole upper to small hole lower AR0191 \$3



A2 Handguards

- Black AR0010B **\$19**
- Green..... AR0010BG **\$19.50**



Mid-Length Handguards

- Black AR0010C **\$19**
- Green..... AR0010CG **\$19.50**



CAR Handguards

- Black AR0010A **\$19**
- Green..... AR0010AG **\$19.50**



R-4 Handguards

- Black AR0010ASHS **\$20**
- Green..... AR0010ASHG **\$20.50**



Free Float Aluminum Tube

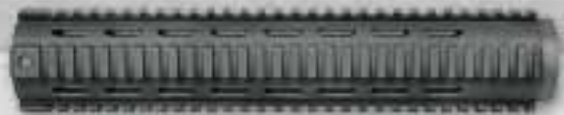
- Rifle Length AR0010BAH **\$75**
- Mid-Length..... AR0010CAH **\$70**
- CAR Length AR0010AAH **\$65**
- Pistol Length AR0010PAH **\$55**



Hogue Free Float Tube

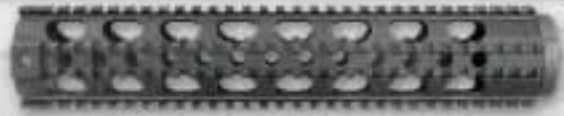
Aluminum free float tube, overmolded with soft rubber.

- Standard Length, Black AR0010BHH **\$120**
- Standard Length, Green AR0010BHHG **\$120**
- CAR Length, Black AR0010AAH **\$95**
- CAR Length, Green..... AR0010AAHG **\$95**



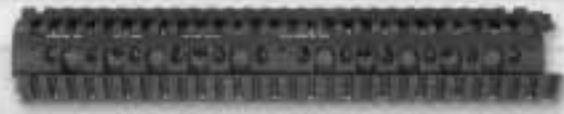
Quad Rail Aluminum Free Float

- Rifle Length AR0010G **\$160**
- Mid-Length AR0010H **\$130**
- CAR Length AR0010F **\$120**
- Pistol Length AR0010P **\$105**



Quad Rail Lightweight Free Float

- Rifle Length AR0010GL **\$160**
- Mid-Length AR0010HL **\$130**
- CAR Length AR0010FL **\$120**
- Pistol Length AR0010PL **\$105**



SureFire Tactical Rail Handguards

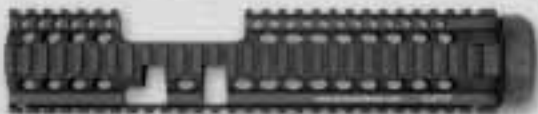
- M82 - Rifle Length, for triangular handguard cap AR3005 **\$228**
- M85 - Mid-Length, for triangular handguard cap..... AR3010 **\$199**
- M73 - CAR Length AR3000 **\$199**

Daniel Defense Quad Rail Aluminum Free Float Handguards



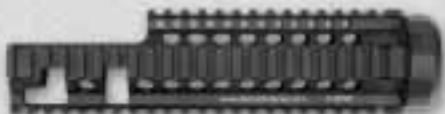
Designed to fit behind the front sight or gas block.

- Quad Rail 12.0** - Rifle Length AR3083 **\$370**
Quad Rail 9.0 - Mid-Length AR3082 **\$310**
Quad Rail 7.0 - CAR Length AR3081 **\$275**



Designed to work with Carbine front sight.

- Quad Rail 12.0FSP** - CAR Length AR3085 **\$360**



Designed to work with front sight.

- Quad Rail 9.5FSP** - CAR Length AR3084 **\$324**
Quad Rail 12.0FSPM - Mid-Length AR3086 **\$360**



Graphite Fore Grip

Attaches to picatinny rails, quick detach.

- Black AR3225 **\$41**
 Green AR3225G **\$42**



Picatinny Rail Covers

- Five Slot Rail Cover**, Black AR3040 **\$4**
Five Slot Rail Cover, Green AR3040G **\$4**
Ten Slot Rail Cover, Black AR3041 **\$8**
Ten Slot Rail Cover, Green AR3041G **\$8**
Fifteen Slot Rail Cover, Black AR3042 **\$12**
Fifteen Slot Rail Cover, Green AR3042G **\$12**



Ladder Style Rail Covers

- Five Slot Ladder Style Rail Cover**, Black AR3043 **\$4**
Five Slot Ladder Style Rail Cover, Green AR3043G **\$4**
Eighteen Slot Ladder Style Rail Cover, Black AR3044 **\$12**
Eighteen Slot Ladder Style Rail Cover, Green AR3044G **\$12**

A.R.M.S.® S.I.R. Systems Aluminum Free Float Rail Systems



#59 Bi-Level

Slim line with bi-level top rail for rifle length gas systems.

- A.R.M.S. #59C** - Civilian Model AR3821C **\$421**
A.R.M.S. #59M - Military Model AR3821M **\$421**



#58M Bi-Level

Slim line with bi-level top rail for mid-length gas systems.

- A.R.M.S. #58M** AR3819M **\$399**



#50 Bi-Level

Slim line with bi-level top rail for carbine length gas systems.

- A.R.M.S. #50C** - Civilian Model AR3815C **\$369**
A.R.M.S. #50M - Military Model AR3815M **\$369**



#51C A1/A2

Fits A1 and A2 carry handle uppers with carbine length gas systems. Locks into carry handle channel and front support using two thumbnuts for extremely rigid, no-movement fit.

- A.R.M.S. #51C** AR3817 **\$369**

A.R.M.S.® #23 QD Throw Lever Pistol Grip



The fastest attaching and detaching grip on the market with the optimum handling angle for a natural grip.

- A.R.M.S.® #23 Grip** AR3810 **\$73**



MIDWEST INDUSTRIES Front Sling Adapter

Attaches to picatinny rails.
 AR3620 **\$34**

Quick Detach Front Sling Adapter

Attaches to picatinny rails.
 AR3622 **\$34**



Front Sling Adapter with Swivel Stud

Attaches to picatinny rails.
 AR3621 **\$24**

Front Sling Adapter

With Loop Attaches to picatinny rails.

- Patent US D508,726S AR3619 **\$40**



HANDGUARDS & RELATED



**High Impact Composite
for Strength and Durability!**

Tactical CAR Buttstock Kit

**With Pivoting
Steel Swivel**

- Six Position Collapsible** Complete with buffer and spring.
 Black AR0250 **\$75**
 Green AR0250G **\$80**
Fixed Position AWB Compliant, complete with buffer and spring.
 Black AR0260 **\$65** – Green AR0260G **\$70**

Tactical CAR Stock Wrench

Engages the lock nut on the Tactical CAR stock AR0165 **\$6**



CAA Tactical Buttstock Kit

Six position collapsible with side mounted battery storage compartment and Picatinny rail. Includes buttstock with rubber buttpad, pivoting sling swivel, buffer, buffer tube, buffer spring, nut and collar.

- Black AR0250C **\$90**
 Green AR0250CG **\$90**

CAA Stock Saddle

Improved cheekweld for greater stability and accuracy, fits most 6 position collapsible stocks including RRA. With two waterproof storage compartments.

- Black AR0255B **\$19.50**
 Green AR0255G **\$19.50**



Standard A2 Buttstock Kit

Includes buttstock with buttplate, sling loop, buffer, buffer tube, buffer spring, spacer and screw.

- Black AR0074K **\$57.50**
 Green AR0074GK **\$60**

Assembly only Includes buttstock with buttplate and sling loop.

- Black AR0074ASY **\$28**
 Green AR0074GASY **\$30**



Entry Buttstock Kit

Complete with buffer and spring.

- Black AR0074TK **\$57.50**
 Green AR0074TGK **\$60**



ACE Skeleton Stock

ARFX Full Size Slips over standard A1/A2 receiver extension tube. With sling swivel and rubber buttpad. AR3100 **\$90**

ARFXE Shorty Receiver extension tube not included, Use AR0113T. With sling swivel, rubber buttpad. AR3105 **\$90**



Standard A2 Pistol Grip

- Black AR0084 **\$4**
 Green AR0084G **\$4.50**

Hogue Rubber Grip

- Black AR0084H **\$22**
 Green AR0084HG **\$24**

ERGO Grip Target Style

- Ambidextrous, with Sure Grip no-slip surface.
 Black AR0084ET **\$60**
 Green AR0084ETG **\$60**

ERGO Grip

- With Sure Grip, includes Gapper and rubber plug.
 Right Hand - Black AR0084ER **\$24**
 Ambi - Black AR0084E **\$24**
 Ambi - Green AR0084EG **\$24**

Turner Saddlery All Weather Synthetic Service Rifle Sling



All Weather Synthetic service rifle sling, 54"/56" adjustable with mil-spec parkerized steel hardware and copper rivets, CMP approved.

Turner AWS Sling - Black AR0139B **\$57**
Turner AWS Sling - Green AR0139G **\$57**

MAMBA Combat Sling

The first sling designed for full contact engagement with unique stretch "Power Strike Zone". Works for right or left hand shooters, with quick release buckles, customizable positioning and fast and easy transitions.

For A2 Buttstock AR0137MA **\$40**
For CAR/Tactical CAR Stock AR0137MC **\$40**

Blackhawk Swift Sling M4/Side Swivel



Silent, safe and highly efficient. Made from a special 1.25 inch heavy yet soft webbing with fully adjustable versatility for many different uses. Can be slung muzzle up, muzzle down, weak side, strong side, behind, and below. Special buckles allow quick adjustments for wear over body armor and vests.

Blackhawk Swift Sling M4 AR0137SWIFT **\$40**

Eagle Tactical Assault Sling



A quality sling with black 1" webbing featuring a quick disconnect buckle and anti-noise padding. Allows the weapon to be carried in an assault position, then with an easy one thumb release, brought to shoulder. Rifle may also be slung over back for hands free carry.

TAS-1 For A2 Buttstock AR0137EA **\$31.50**
TAS-3 For CAR Stock AR0137EC **\$27.25**

CMP Black Nylon Sling



Adjustable black nylon sling
 AR0138 **\$12**

Viking Tactics Quick Adjust VTAC Sling



Designed with the tactical shooter in mind, quickly adjusts to several different shooting positions as well as for carry slung tightly across the back, great for climbing, running, or while apprehending a suspect.

VTAC Sling AR0137VTAC **\$36**

Blue Force Gear UDC Slings



Single point design, completely adjustable and ambidextrous, sized for use over body armor. With quick release buckle, and choice of adapter.

With HK Style Hook Adapter AR0137BH **\$33**
With Quick Detach Adapter AR0137BQ **\$39**

Quick Detach Rear Sling Adapters



For Six 6 Position Tactical Stock
 AR3624 **\$40**
For Four Position CAR Stock
 AR3623 **\$40**

CAR Stock Receiver End Plate



With dual sling loops AR0144C **\$14**

CAR Stock End Plate Adapters



Installs without removing extension.
 Slotted AR3625 **\$37**
 Loop AR3626 **\$36**

A2 Stock Receiver End Plate



With single sling loop on left side for right hand shooters.
 AR0144A **\$32.50**



RRA Stand Alone Rear Sight Assembly

Detachable with A2 rear sight. AR3305ASY **\$110**



Flip-Up Rear Sight

Detachable flip-up rear sight with locking detent. AR0169R **\$105**



A.R.M.S.® #40 Flip-Up Rear Sight

Spring loaded, with quick release lever, 250-300 meter and 500-600 meter flip apertures. AR3812L **\$96**

A.R.M.S.® #40L Low Profile Flip-Up Rear Sight

Same features as #40, but with lower profile, allowing more clearance for mounting optics AR3812L **\$109**



A.R.M.S.® #22M68 Aimpoint Comp Throw Lever Ring

Rugged, low mounting with patented throw lever system for easy on/off and repeat zero. AR3825 **\$99**

A.R.M.S. #22M68 Half Spacer, 1/4 inch AR3826 **\$9.10**

A.R.M.S. #22M68 Full Spacer, 1/2 inch AR3827 **\$9.10**



A.R.M.S.® #22 Throw Lever Rings

All steel 30mm rings, with built-in no-mar buffer pads.

A.R.M.S. #22L Low, per pair AR3822L **\$109**

A.R.M.S. #22M Medium, per pair AR3822M **\$109**

A.R.M.S. #22H High, per pair AR3822H **\$109**



RRA Scout Rail

New improved design. AR0134 **\$65**



Midwest Industries A2 Adjustable Cantilever Mount

Heavy duty and lightweight with MIL-STD 1913 rail, allows most optics to co-witness with iron sights AR3629 **\$117**



U.S. Tactical Systems A2 Handle Mount

AR0124 **\$24**



NEW! Flattop Riser Base

New improved design AR0136ASY **\$40**



Hi-Riser Scope Mount

With integral 1 inch rings AR0130 **\$47.50**



MI Flip-Up Front Sight

Gas block mounting flip front sight, with smooth spring loaded ball bearing pivot and locking detent button.

AR0168R . . . **\$90**

Samson Flip-Up Front Sight

Gas block mounting flip front sight, clears R4 handguards when folded, spring loaded deployment.

Samson FFS-EXT AR0168S **\$125**



ACCESSORIES



Aimpoint Comp Series M2 and ML2 Red Dot Sights

Specially designed to meet law enforcement and military needs, can withstand the roughest physical handling and extreme weather conditions. The Comp ML2 is designed for use in daylight and in lowlight conditions. The Comp M2 offers compatibility with all generations of Night Vision Devices. With 4 MOA Red Dot reticle, 10 position switch, and hard anodized Graphite Gray finish. Mount pictured not included.

- Aimpoint Comp ML2** AR3685 **\$426**
- Aimpoint Comp M2** AR3680 **\$475**

Aimpoint QRP Mount

For use with Picatinny bases.

- QRP Mount** AR3686 **\$101**

Spacer shown installed, required to co-witness with QRP. AR3687 **\$16**



Midwest Industries Aimpoint Rings

Height compatible for use with rear mounted backup sight, hard coat anodized 6061 aluminum.

- Standard Aimpoint Ring** AR3628 **\$144**

This cantilever ring is height compatible for use with rear mounted night vision monocular, hard coat anodized 6061 aluminum.

- Cantilever Aimpoint Ring**
AR3627 **\$199**



Aimpoint 3XMag Magnifying Module

Specially designed for compatibility with Aimpoint sights, the 3XMag is a revolutionary tool for military personnel, law enforcement, sport shooters and hunters. The 3XMag gives the user the ability to switch in a split second

from CQB to semi-sniping and vice versa. Can also be used as a handheld magnifying glass monocular. Shown with optional QD Twist Mount.

- Aimpoint 3XMag** AR3692 **\$514**

Aimpoint QD Twist Mount

Mounts to Mil-std Picatinny rail, for quick attachment and detachment of 3XMag, co-witnessing with QRP requires a Spacer (AR3687) on Twist Mount and on QRP Mount AR3693 **\$164**

Samson Flip 3XMag Mount

Mounts the Aimpoint 3XMag to rail, flips magnifying module out of the way when not in use.

- AR3694 **\$219**



EOTech HoloSight

Holographic diffraction sight, instantly visible in any light, true two eyes open shooting. Featuring 20 brightness settings.

- EOTech 511** Uses 2 "N" Batteries AR3780 **\$379**

- EOTech 512** Uses 2 "AA" Batteries AR3781 **\$399**

Night Vision Compatible Models:

- EOTech 551** Uses 2 "N" Batteries AR3782 **\$419**

- EOTech 552** Uses 2 "AA" Batteries AR3783 **\$479**



RRA Dominator EOTech Mount

Designed for FBI SWAT & HRT!

The ideal EOTech mount, places the dot just above the front sight post. With integral A2 Rear Sight. AR0125EASSY **\$175**

New! RRA Dominator² Mount

With seven slots for even greater mounting flexibility.

With integral A2 Rear Sight. AR0125FASSY **\$185**



Trijicon ACOG Advanced Combat Optical Gunsights

Internally-adjustable, compact telescopic sights with tritium illuminated reticle for use in low light or at night.

Trijicon ACOG TA31F 4x32

With Red Chevron Reticle, BAC and TA51 Mount for A4 Flattop receiver mounting.

- AR3732 **\$1,267**

Trijicon ACOG TA11F 3.5x35

With Red Chevron Reticle, BAC and TA51 Mount for A4 Flattop receiver mounting.

- AR3730 **\$1,367**



A.R.M.S. #19SACOG

Single Throw Lever ACOG mount, provides two eye relief mounting positions.

- AR3829 **\$109**

A.R.M.S. #19ACOG

Two Throw Lever ACOG mount, provides 3 additional eye relief mounting positions.

- AR3828 **\$150**



ACCESSORIES

Versa-Pod Model 2 Bipod

Standard prone position bipod, with non-skid rubber feet, built-in pan and tilt, 9 inch to 12 inch adjustable leg height and Universal Mounting Adapter, mounts to any standard QD swivel stud.

AR0145 \$69

Versa-Pod Model 3 Bipod

Sitting position bipod with 15 inch to 23.75 inch adjustable leg height.

AR0146 \$73

Versa-Pod Military Style Bipod

Heavy duty quick detachable folding bipod, attaches to Picatinny or Weaver rails, with built-in pan and tilt, Raptor feet and 9 to 12 inch adjustable leg height.

AR0147 \$200

Versa-Pod Hybrid Style Bipod

Heavy duty quick detachable folding bipod, with built-in pan and tilt, Raptor feet and 9 to 12 inch adjustable leg height. Includes Universal Mounting Adapter, mounts to any standard QD swivel stud.

AR0148 \$209

Versa-Pod A2 Handguard Adapter

AR0148B \$30

Versa-Pod Picatinny Rail Adapter

AR0146A \$45

Brass Deflectors

A2 Handle Mount AR0185 \$21

A2 Removable Carry Handle Mount
AR0185C \$21

A4 Flattop Mount

AR0186 \$21

A4 Flattop Mount
for use with EOTech
AR0187 \$21

RRA Cleaning Station

AR0150 ... \$40

RRA Pin Kit

Includes all the pins you are likely to need to maintain your RRA LAR-15.
Pin Kit AR3252 \$10.50

RRA Spring Kits

Includes all the springs you are likely to need to maintain your RRA LAR-15.
Spring Kit - CAR AR3255A \$20
Spring Kit - Rifle AR3255B \$20

Ready-Fire MODE Magazine Pouch

Mounts securely to buttstock, holds 20 or 30 round .223 mags, constructed of high quality Cordura, reinforced at critical stress points, quick opening pull-tab.

For A2 Buttstock AR3610A \$29

For CAR or Tactical CAR Stock AR3610C \$29

Spec-Ops Mag Pouches

Mounts to belts, and both A.L.I.C.E. and M.O.L.L.E. systems, constructed of double-wall Cordura with grommet drain holes.

X-2 - Holds two .223 mags AR3613 \$20

X-4 - Holds four .223 mags AR3611 \$23

X-6 - Holds six .223 mags AR3612 \$25

Spec-Ops Leg Rig Panel

Drop-leg modular panel allows easy access to cargo in numerous positions. Fully adjustable, with comfortable breathable mesh panel, compatible with M.O.L.L.E. system.

Leg Rig AR3615 \$50

Spec-Ops Dump Pouch

Fast, easy, secure access with unique "trap-door port" for shoot and move operations. Attaches to Leg Rig, duty belts and M.O.L.L.E. system.

Dump Pouch AR3614 \$40

Eagle SMG Mag Pouch

Carries three extra mags, 2 inch wide leg straps allow you to wear it drop style but it may also be worn on a belt. With Fastex fasteners for securing mag flaps.

SAS-MP-5 AR3605 \$63.50

Cleaning Kit

.223 Caliber Cleaning Kit with Pouch AR3600 \$30

RRA "Oh Shoot" Kit

All of the parts and pieces you are most likely to wear out or lose at the worst possible time. Includes: 1 crush washer, 1 gas tube roll pin, 1 front sight detent and spring, 1 front sling swivel rivet, 1 charging handle latch roll pin, 2 firing pin retaining pins, 1 ejector, 1 ejector spring, 1 safety detent, 1 safety detent spring, 2 pivot pin springs, 2 pivot pin detents, 1 buffer retainer, 1 buffer retainer spring, 2 take-down pin springs, 2 takedown pin detents.

"Oh Shoot" Kit AR3256 \$15



LAR15 .223 Caliber Magazines

- 10 Round .223 Caliber Mag**
AR0116 \$22
- 20 Round .223 Caliber Mag**
AR0116LE20RD \$18
- 30 Round .223 Caliber Mag**
AR0116LE30RD \$18



Beta C-Mag 5.56/.223 Cal. 100 Round Drum

Twin drum design, comes with 5 round personal loader or 10 round speed loader and pouch.

- Black Pouch, 5 Round Personal Loader AR3150 **\$240**
- Green Pouch, 5 Round Personal Loader AR3151 **\$240**
- Desert Sand Pouch, 5 Round Personal Loader AR3152 **\$240**
- Woodland Camo Pouch, 5 Round Personal Loader ... AR3153 **\$240**
- Black Pouch, 10 Round Speed Loader AR3154 **\$242**
- Green Pouch, 10 Round Speed Loader AR3155 **\$242**
- Desert Sand Pouch, 10 Round Speed Loader AR3156 **\$242**
- Woodland Camo Pouch, 10 Round Speed Loader ... AR3157 **\$242**

LULA .223 Mag Loader

Loads and unloads 9/20/30 round metal or plastic AR mags, fast and easy to operate.

AR0119 **\$30**



Beta C-Mag 9mm 100 Round Drum

For 9mm AR's, twin drum design, with five round personal loader and black pouch.

Beta C-Mag 9mm Drum AR3158 **\$289**



Eagle Assault Rifle Case

Constructed of 1000 denier Cordura, fully padded with outside zippered cargo pocket and adjustable mag pouches, detachable shoulder strap and pad, "D" rings mounted in nylon webbing, triple stitched to case.

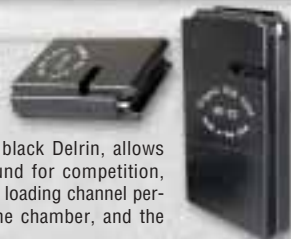
Eagle RC-4108 - 41" x 11.5" x 2.5" AR3410 **\$93.75**

Original Bob Sled Single Shot Loader

Machined from a single piece of black Delrin, allows loading and firing of a single round for competition, benchrest or varmint shooting. The loading channel perfectly aligns the round to enter the chamber, and the plunger activates the bolt stop.

OBS 10 Single Loader - Short AR3355 **\$40**

OBS 20 Single Loader - Tall AR3350 **\$40**



Eagle Discreet Rifle Cases

Great for low profile weapon carry, made with heavily padded abrasion and water resistant 1000 denier Cordura nylon. Has five internal mag pockets, hook and loop weapon keepers and a large padded zippered outer pocket. Available in both rifle and carbine lengths.

Rifle Case - 42" x 13" x 2.5" AR3400 **\$115**

CAR Case - 35" x 13" x 2.5" AR3500 **\$115**



Blackhawk Discreet Rifle Case

A versatile case, with .375" closed cell foam padding, wrap around carry handles, detachable shoulder strap and external zippered pocket. Inside are two rows of BTS webbing and expandable hook and loop wrap keepers for accessories. Dimensions 37" x 12.5" x 2.5".

Blackhawk Discreet Rifle Case AR3450 **\$120**

SureFire M951 XM05 WeaponLight



Six-volt shock-isolated system powered by two lithium batteries, provides 65 lumens for one-hour of runtime or 120 lumens for 20 minutes using optional ultra-high output lamp assembly. The system attaches to Picatinny Rail interface via an included dual thumbscrew mount. With 5" removable pressure-activated momentary-on tape switch and click-on/off momentary/constant pushbutton switch.

SureFire M951 XM05 AR3020 **\$344**

SureFire M961 XM07 WeaponLight



Nine-volt shock-isolated system powered by three lithium batteries, provides 125 lumens for one-hour of runtime or 225 lumens for 20 minutes using the optional ultra-high output lamp assembly. Attaches to Picatinny Rail interface via an included dual thumbscrew mount. With 7" removable pressure-activated momentary-on tape switch and click-on/off momentary/constant pushbutton switch.

SureFire M961 XM07 AR3021 **\$383**

SureFire M600 Scout Light



The lightweight Scout light attaches to a Picatinny rail with the included thumbscrew clamp. An extremely rugged and powerful LED module uses two lithium batteries to produce 65 lumens of light with a runtime of nearly three hours. With momentary on/off tape switch.

SureFire M600A Scout Light AR3016 **\$375**

SureFire M600 Scout Light Kit With Infrared Filter conversion kit and LU60A incandescent lamp assembly AR3015 **\$495**

SureFire Spares Carrier

Impact resistant, O-ring sealed watertight polymer containers provide storage for six spare lithium batteries and spare lamp assembly, with convenient wrist lanyard.

SureFire SC1 AR3039 **\$17**

SureFire SC2 AR3038 **\$17**



SureFire Vertical Foregrip WeaponLight



Powered by three lithium batteries producing 125 lumens for one-hour of runtime or 225 lumens for twenty minutes with the optional ultra-high output lamp. Includes two momentary activation pressure sensitive pads on either side of grip, a constant-on switch and a third momentary switch for the two low output white light LEDs.

SureFire M910A-WH - Pictured left
With built-in dual thumb-screw mount AR3031 **\$543**

SureFire M900A-WH - Pictured right
With built-in A.R.M.S. Throw-Lever AR3030 **\$616**

SureFire M500A WeaponLight and Handguard



An integrated weaponlight and CAR length handguard combination. The WeaponLight is positioned to give a clear field of view, and is controlled by a momentary activation pressure sensitive pad and a constant-on rocker switch. The three lithium batteries provide 125 lumens for one-hour of runtime or 225 lumens for 20 minutes with the optional ultra-high output lamp. Also features two low output white light LEDs.

SureFire M500A-WH AR3035 **\$515**

SureFire X200A LED WeaponLight



The X200 features aluminum body construction and a special Total Internal Reflection (TIR) focusing lens for a tight diamond-shaped central beam and a broad peripheral corona. The special lens allows the X200 to project a tightly focused beam at greater distances than comparably sized lights. The X200 is designed to fit both the Universal Standard rail as well as the MIL-STD Picatinny rail, and includes adapter plates for both. A momentary toggle/push switch allows fail-safe ambidextrous function under fire. The X200 also features digital current regulation circuitry to match the LED's current requirements with the battery's output to maintain a more consistent level of light output for the useable life of the batteries, producing over an hour of tactical light output.

SureFire X200A AR3025 **\$250**



SureFire G2 Nitrolon

Powered by two lithium batteries and made of Nitrolon, a polymer compound that is lightweight, corrosion-proof and non-conductive. A molded-in gridlock pattern allows for a sure grip and the G2 is less than 5 inches long. Features unique switching originally developed for law enforcement - twist for constant on, or depress the tailcap button for momentary illumination or emergency signaling.

SureFire G2 Nitrolon AR3026 **\$36**



SureFire C3 Centurion

With an ergonomic flat-side CombatGrip design and rubber grip ring, the light can be used with a handgun and the Rogers/SureFire technique. The 3 lithium batteries produce 105 lumens output for 60 minutes, precision-machined from aerospace-grade aluminum with unique switching - twist for constant on, or depress the tailcap button for momentary illumination or emergency signaling.

SureFire C3 Centurion AR3027 **\$129**



SureFire E2d Defender

Features a Xenon lamp that produces a spot free beam so intense it can momentarily blind an attacker, the crenellated Strike Bezel allows it to be used as an impact weapon. Constructed from aerospace-grade aluminum coated in a rugged military-specification finish, with an optically-coated Pyrex lens, lithium batteries, steel pocket clip, and law enforcement-style click-on/off momentary switching for blinding flashes or emergency signaling. Lock-out tailcap allows the light to be locked in the off position to eliminate accidental activation when stowed away.

SureFire E2d Defender AR3028 **\$110**

Night-Ops Gladius Tactical Illumination Tool



BlackHawk

The Gladius gives maximum flexibility from very low levels of light to its unique high-output Strobe function. Momentary and Constant ON switching are quickly and easily accessed with one-finger operation. Features a lock-out system to avoid needless battery use and potentially compromising light discharges. Designed primarily for handheld use, robust enough for weapon mounted applications, uses two 3-volt lithium batteries with a runtime of 90 minutes, body and bezel are constructed with aircraft-grade aluminum. 1" body and 1.25" bezel diameter.

Blackhawk/Night Ops Gladius AR3805 **\$250**



BlackHawk/Night-Ops Flashlight Holder

Securely holds personal tactical lights with a 1.25" diameter bezel and a 1" diameter body, including the Gladius. Features BlackHawks new patent pending Mod-U-Lok belt mounting attachment system and removable secondary rubber retention strap

..... AR3804 **\$24**



COLUMBIA RIVER KNIFE & TOOL

*All include the
Rock River Arms
logo on the blade!*



Columbia River Knife & Tool M16 Compact EDC

With hard anodized aluminum handle, stainless steel locking liner with friction grooves and black titanium nitride coated premium AUS 8 stainless steel blade. The Tanto-style blade features Combined Razor-Sharp and Triple-Point serrated edge. Handle length 4", blade length 3".

M16-10K, Black Handle AR3800B **\$80**

M16-10KE, Green Handle AR3800G **\$80**



Columbia River Knife & Tool M16-13

Featuring a slim profile design charcoal gray hard anodized aluminum handle for comfortable grip. The premium AUS 8 stainless steel blade features a non-reflective frost finish. The spear point blade has a false grind on the top edge and Combined Razor-Sharp and Triple-Point serrated edge. Handle length 4.75", blade length 3.50".

M16-13 AR3802 **\$75**



Columbia River Knife & Tool M16-12M

The sure-grip handle of 6061 T6 aluminum is hard anodized in Olive Drab with a stainless steel black teflon plated locking liner. The black titanium nitride coated dual grind Tanto blade is AUS 8 stainless steel with Combined Razor-Sharp and Triple-Point serrated edge. Handle length 4.25", blade length 3".

M16-12M AR3801 **\$85**



ACCESSORIES



Shown with Ultradot optic, not included.

Bullseye Wadcutter with RRA Slide Mount

.45 ACP..... PS2100 **\$1,690**

Bullseye Wadcutter

- Rock River Arms Forged NM frame with beveled mag well and your choice of 20, 25 or 30 LPI checkered front strap
- Rock River Arms Forged NM slide with double serrations
- Available with RRA Slide Mount, Bomar Rib, or your choice of Caspian Frame Mount or Weigand 3rd Gen Frame Mount
- Lowered and flared ejection port
- Beavertail grip safety with raised pad
- Flat checkered mainspring housing (arched optional) with your choice of 20, 25 or 30 (std) LPI checkering
- Commander hammer and match sear
- Tuned and polished extractor, extended ejector
- Aluminum speed trigger with crisp 3.5 lb pull
- Serrated slide stop and two-piece recoil guide rod
- Polished feed ramp, throated NM KART barrel with NM bushing
- Super rosewood grips and lustrous blued finish, with one magazine
- Tuned for total reliability, guaranteed to shoot 1.5 inch groups at 50 yards with 185 grain Federal Gold Medal Match Semi-Wadcutter



Bullseye Wadcutter with Bomar Rib

.45 ACP..... PS2104 **\$1,725**



Shown with Ultradot optic, not included.
Shown with optional Slide Racker, not included.

Bullseye Wadcutter with your choice of Caspian Frame Mount or Weigand 3rd Gen Frame Mount

.45 ACP..... PS2102 **\$1,725**

Bullseye Wadcutter Lower Half

For .22LR Conversions PS1900 **\$750**

RRA CUSTOM PISTOLS - OPTIONS & UPGRADES

Most models available in 4.25 inch, 5 inch and 6 inch, and in .45 ACP, 38 Super, .40 S&W and 9mm, call for pricing.

- Hard Chrome Finish Add **\$210**
- Black "T" Finish Add **\$200** - Additional shipping charges will apply
- Black/Green "T" Duotone Finish Add **\$225** - Additional shipping charges will apply
- Supported Ramp Cut, all calibers, cut only Add **\$150**
- .45 ACP accurized to shoot 1 1/2" groups at 50 yards, guaranteed, not available on 4.25" barrel Add **\$150**

Please call for Accurizing upgrade options on other calibers. All Rock River Arms Pistols come with a Trigger Lock.



NM Hardball

- Rock River Arms Forged NM frame with beveled mag well and your choice of 20, 25 or 30 LPI checkered front strap
- Rock River Arms Forged NM slide with rear serrations
- Milled in Bomar rear sight, with hidden rear leaf
- Lowered and flared ejection port
- RRA dovetail front sight with under cut, fully profiled to radius of slide
- Tuned and polished extractor and extended ejector
- Aluminum speed trigger with crisp 4 lb pull
- Flat mainspring housing (arched optional) with your choice of 20, 25 or 30 (std) LPI checkering
- Serrated slide stop and polished feed ramp
- Throated NM KART barrel with NM bushing
- Super rosewood grips and lustrous blued finish, with one magazine
- Tuned for total reliability, guaranteed to shoot 3 inch groups or less at 50 yards with 230 grain Match Ball

NM Hardball

.45 ACP PS2000 **\$1,535**
 Accurized to shoot 2 inch groups at 50 yards Add **\$150**



Basic Limited Match

- Rock River Arms Forged NM frame with beveled mag well and your choice of 20, 25 or 30 LPI checkered front strap
- Forged NM slide with low mount Bomar hidden leaf rear sight
- Lowered and flared ejection port
- Match Commander hammer and match sear
- Tuned and polished extractor and extended ejector
- Beavertail grip safety and flat mainspring housing (arched optional) with your choice of 20, 25 or 30 (std) LPI checkering
- Aluminum speed trigger with crisp 3.5 lb pull
- Throated NM KART barrel with NM bushing
- Serrated slide stop and ambidextrous safety
- Rock River Arms dovetail front sight, fully profiled to radius of slide
- Two piece recoil guide rod and polished feed ramp
- Deluxe grips and lustrous blued finish, with one magazine
- Tuned for total reliability, guaranteed to shoot 2.5 inch groups at 50 yards with 185 grain Federal Gold Medal Match Semi-Wadcutter

Shown with
 Optional Duotone
 Black/Green
 T Finish

Shown with optional
 arched Heinie Magwell

Basic Limited Match

.45 ACP PS2300 **\$1,770**
 Duotone Black/Green "T" Finish Add **\$225**

RRA CUSTOM PISTOLS - OPTIONS & UPGRADES

Most models available in 4.25 inch, 5 inch and 6 inch, and in .45 ACP, 38 Super, .40 S&W and 9mm, call for pricing.

Hard Chrome Finish Add **\$210**

Black "T" Finish Add **\$200** - Additional shipping charges will apply

Black/Green "T" Duotone Finish Add **\$225** - Additional shipping charges will apply

Supported Ramp Cut, all calibers, cut only Add **\$150**

.45 ACP accurized to shoot 1 1/2" groups at 50 yards, guaranteed, not available on 4.25" barrel Add **\$150**

Please call for Accurizing upgrade options on other calibers. All Rock River Arms Pistols come with a Trigger Lock.



Shown with
Optional
Chrome Finish

Limited Match

- Rock River Arms Forged NM frame with beveled mag well and your choice of 20, 25 or 30 LPI checkered front and rear strap
- Forged NM slide, double serrations, with RRA Borders on sides
- Lowered and flared ejection port, flattened and 40LPI serrated top
- Low mount Bomar hidden leaf rear sight
- Rock River Arms dovetail front sight, fully profiled to radius of slide
- 40 LPI checkering under trigger guard
- One piece mainspring housing (flat only) with your choice of 20, 25 or 30 (std) LPI checkering
- Match Commander hammer and match sear
- Aluminum speed trigger with crisp 3.5 lb pull
- Throated NM KART barrel with NM bushing
- Beavertail grip safety with raised pad, extended mag release button
- Tuned and polished feed ramp, two piece recoil guide rod
- Deluxe grips, lustrous blued finish, with one magazine
- Tuned for total reliability, guaranteed to shoot 1.5 inch groups at 50 yards with 185 grain Federal Gold Medal Match Semi-Wadcutter

Limited Match

.45 ACP PS2400 **\$2,150**
 Chrome Frame & Slide Add **\$210**



With
Light Rail

Tactical Pistol

- Rock River Arms Bar Stock frame with integral light rail and your choice of 20, 25 or 30 LPI checkered front strap
- Forged NM 5 inch slide with double serrations
- Lowered and flared ejection port
- Rock River Arms dovetail front sight with tritium inserts
- With Heinie rear sight with tritium inserts, Novak rear sight optional
- Throated NM KART barrel with NM bushing
- Match Commander hammer and match sear
- Aluminum speed trigger with crisp 3.5 lb pull
- Tuned and polished extractor, extended ejector
- Beavertail grip safety and flat mainspring housing (arched optional) with your choice of 20, 25 or 30 (std) LPI checkering
- Tactical mag catch, tactical safety, standard recoil system
- Totally dehorned for carry
- Super rosewood grips and lustrous blued finish, with one magazine
- Tuned for total reliability, guaranteed to shoot 2.5 inch groups at 50 yards with 185 grain Federal Gold Medal Match Semi-Wadcutter

Tactical Pistol

.45 ACP PS2750 **\$1,965**
 Black "T" Finish Add **\$200**

Shown with optional Ambi Safety
 Shown with optional Black "T" Finish
 Shown with optional Smith & Alexander Magwell

RRA CUSTOM PISTOLS - OPTIONS & UPGRADES

Most models available in 4.25 inch, 5 inch and 6 inch, and in .45 ACP, 38 Super, .40 S&W and 9mm, call for pricing.

- Hard Chrome Finish Add **\$210**
- Black "T" Finish Add **\$200** - Additional shipping charges will apply
- Black/Green "T" Duotone Finish Add **\$225** - Additional shipping charges will apply
- Supported Ramp Cut, all calibers, cut only Add **\$150**
- .45 ACP accurized to shoot 1 1/2" groups at 50 yards, guaranteed, not available on 4.25" barrel Add **\$150**

Please call for Accurizing upgrade options on other calibers. All Rock River Arms Pistols come with a Trigger Lock.



**Totally
Dehorned
for Carry**

Basic Carry

- Rock River Arms Forged NM frame with your choice of 20, 25 or 30 LPI checkered front strap
- Forged NM 5 inch slide with double serrations
- Lowered and flared ejection port
- RRA dovetail front sight, Heinie rear sight
- Throated NM KART barrel with NM bushing
- Match Commander hammer and match sear
- Aluminum speed trigger with crisp 3.5 lb pull
- Tuned and polished extractor and extended ejector
- Beavertail grip safety and flat mainspring housing (arched optional) with your choice of 20, 25 or 30 (std) LPI checkering
- Standard mag catch, tactical safety and standard recoil system
- Totally dehorned for carry, with Parkerized finish
- Super rosewood grips, with one magazine
- Tuned for total reliability, guaranteed to shoot 2.5 inch groups at 50 yards with 185 grain Federal Gold Medal Match Semi-Wadcutter

Basic Carry

.45 ACP PS2700 **\$1,555**

The Basic Carry is available only in 5 inch .45 ACP and in the configuration listed, no subs. No test target supplied with pistol



**Tritium
Sights**

Pro Carry

- Rock River Arms Forged NM frame with your choice of 20, 25 or 30 LPI checkered front strap
- Forged NM 4.25 inch slide with double serrations
- Lowered and flared ejection port
- Rock River Arms dovetail front sight with tritium inserts
- Throated NM KART barrel with NM bushing
- Match Commander hammer and match sear
- Aluminum speed trigger with crisp 3.5 lb pull
- Tuned and polished extractor, extended ejector
- Beavertail grip safety and flat mainspring housing (arched optional) with your choice of 20, 25 or 30 (std) LPI checkering
- Tactical mag catch, tactical safety, standard recoil system
- With your choice of Heinie or Novak rear sight with tritium inserts
- Totally dehorned for carry
- Super rosewood grips and lustrous blued finish, with one magazine
- Tuned for total reliability, guaranteed to shoot 2.5 inch groups at 50 yards with 185 grain Federal Gold Medal Match Semi-Wadcutter

Shown with optional Black "T" Finish

Pro Carry

Available in 4.25 Inch, 5 Inch or 6 Inch

.45 ACP PS2200 **\$1,795**

RRA CUSTOM PISTOLS - OPTIONS & UPGRADES

Most models available in 4.25 inch, 5 inch and 6 inch, and in .45 ACP, 38 Super, .40 S&W and 9mm, call for pricing.

- Hard Chrome Finish Add **\$210**
- Black "T" Finish Add **\$200** - Additional shipping charges will apply
- Black/Green "T" Duotone Finish Add **\$225** - Additional shipping charges will apply
- Supported Ramp Cut, all calibers, cut only Add **\$150**
- .45 ACP accurized to shoot 1 1/2" groups at 50 yards, guaranteed, not available on 4.25" barrel Add **\$150**

Please call for Accurizing upgrade options on other calibers. All Rock River Arms Pistols come with a Trigger Lock.

NEW MODEL!



Shown with optional Black "T" Finish

Limited Police Competition 9mm

- Rock River Arms Forged NM frame with beveled mag well and your choice of 20, 25 or 30 LPI checkered front strap
- Forged NM 5 inch slide with double serrations
- Aristocrat 3 position rear sight, your choice of wide or narrow blade
- Rock River Arms dovetail front sight, tall, thinned and relieved for PPC
- Smith & Alexander flat magwell, with your choice of 20 (std), 25 or 30 LPI checkering
- Lowered and flared ejection port
- Match Commander hammer and match sear
- Tuned and polished extractor and extended ejector
- Beavertail grip safety and flat checkered mainspring housing
- Aluminum speed trigger with crisp 3.5 lb pull
- Rock River Arms NM 9mm barrel with supported ramp
- Serrated slide stop and ambidextrous safety
- Tuned and polished feed ramp, two piece recoil guide rod
- Deluxe grips and lustrous blued finish, with one magazine
- Tuned for total reliability, guaranteed to shoot 1.5 inch groups at 50 yards with quality 9mm match ammunition

Limited Police Competition

9mm PS2615 **\$2,355**
 Black "T" Finish Add **\$200**

NEW MODEL!



Shown with optional Black "T" Finish

Unlimited Police Competition 9mm

- Rock River Arms Forged NM frame with beveled mag well and your choice of 20, 25 or 30 LPI checkered front strap
- Forged NM 6 inch slide with double serrations
- Aristocrat 3 position rear sight, your choice of wide or narrow blade
- Rock River Arms dovetail front sight, tall, thinned and relieved for PPC
- Smith & Alexander flat magwell, with your choice of 20 (std), 25 or 30 LPI checkering
- Lowered and flared ejection port
- Match Commander hammer and match sear
- Aluminum speed trigger with crisp 3.5 lb pull
- Rock River Arms NM 9mm barrel with supported ramp
- Beavertail grip safety with raised pad, extended mag release button
- Tuned and polished feed ramp, two piece recoil guide rod
- Deluxe grips and lustrous blued finish, with one magazine
- Tuned for total reliability, guaranteed to shoot 1.5 inch groups at 50 yards with quality 9mm match ammunition

Unlimited Police Competition

9mm PS2610 **\$2,355**
 Black "T" Finish Add **\$200**

RRA CUSTOM PISTOLS - OPTIONS & UPGRADES

Most models available in 4.25 inch, 5 inch and 6 inch, and in .45 ACP, 38 Super, .40 S&W and 9mm, call for pricing.

- Hard Chrome Finish Add **\$210**
- Black "T" Finish Add **\$200** - Additional shipping charges will apply
- Black/Green "T" Duotone Finish Add **\$225** - Additional shipping charges will apply
- Supported Ramp Cut, all calibers, cut only Add **\$150**
- .45 ACP accurized to shoot 1 1/2" groups at 50 yards, guaranteed, not available on 4.25" barrel Add **\$150**

Please call for Accurizing upgrade options on other calibers. All Rock River Arms Pistols come with a Trigger Lock.



RRA 1911 Style NM Frames

Standard Frame with .255 radius cut for beavertail safety.	
Un-checked front strap	PS1115 \$250
20 LPI high-checked front strap	PS1125 \$330
25 LPI high-checked front strap	PS1107 \$330
30 LPI high-checked front strap	PS1110 \$330
Frame with Light Rail 20, 25 or 30 LPI checkering	PS1127 \$460
Pro Carry Frame	add \$25.00 to prices above

Rock River Arms 1911 Style NM Slides

NM Slide, .45 ACP

4.25 Inch, with rear serrations, no sight cuts	PS1466 \$260
4.25 Inch, double serrations, no sight cuts	PS1467 \$260
5 Inch, with rear serrations, no sight cuts	PS1470 \$230
5 Inch, with double serrations, no sight cuts	PS1475 \$230
6 Inch, with rear serrations, no sight cuts	PS1491 \$290
6 Inch, with double serrations, no sight cuts	PS1492 \$290

NM Slide, .38 Super or 9mm

5 Inch, with rear serrations, no sight cuts	PS1484 \$260
5 Inch, with double serrations, no sight cuts	PS1485 \$260
6 Inch, with rear serrations, no sight cuts	PS1493 \$290
6 Inch, with double serrations, no sight cuts	PS1494 \$290

For 10mm or .40 S&W add **\$20** to prices above

Pre-Fit .45 ACP Frame to Slide add **\$85**

Pre-Fit 38 Super or 40 S&W Frame to Slide Includes cut for supported ramp add **\$185**



RRA Slide Mount

Attaches to slide using same hole pattern as Bomar Rib.
Available in 5 inch or 6 Inch PS1427 **\$35**

1911 Brass Deflector

Mounts to RRA Slide Mount.
PS1575 **\$20**

Spur Hammer

PS1210 **\$55**

Commander Hammer

PS1205 **\$65**

Bullseye Hammer

PS1206 **\$65**

RRA Slide Rackers

Ambi	PS1508A \$22
For left hand shooters	PS1508R \$22
For right hand shooters	PS1508L \$22

SureFire MR07

1911 adapter mount
for SureFire Tactical Lights.
Fits SureFire M001, M107, P001, P107.
SureFire MR07 PS1090 **\$150**

RRA PISTOL CUSTOMIZING AND REFINISHING SERVICES

Bomar BMCS sight milled for low mount, hidden rear leaf, includes sight	\$180
Install Heine rear sight, includes non-tritium sight	\$86
Install dovetail front sight, includes sight	\$30
Install Novak low mount rear sight, includes non-tritium sight	\$80
Extractor tuned and polished, labor only	\$15
Lower and flare ejection port	\$40
Fit slide to frame	\$85
Fit slide to frame, alloy stainless steel - Colt	\$90
Fit 5 inch barrel and bushing, .45ACP	\$225
Fit fully supported chamber NM Barrel	\$280
Install match trigger, includes trigger	\$30
Action job	\$80
Action job with NM hammer and sear	\$140
Fit extended ambidextrous thumb safety, refinishing not included	\$65
Bevel and polish mag well, refinishing not included	\$25
Install Smith and Alexander mag well to match bevel of frame, includes housing, refinishing not included	\$110
Install beaver tail grip safety, includes safety, refinishing not included	\$75
Checker front strap at 20, 25 or 30 LPI, refinishing not included	\$160
Checker underneath trigger guard, refinishing not included	\$50
Checker front of trigger guard, refinishing not included	\$50

Serrate rear of slide, refinishing not included	\$30
Serrate top of slide to match radius, refinishing not included	\$80
Flat top and serrate top of slide, 40LPI, refinishing not included	\$100
Tune pistol for total reliability, refinishing not included	\$75
Add RRA borders on slide, refinishing not included	\$50
Checker Para-Ordinance front strap at 20 LPI, refinishing not included	\$300
Add cocking serration to front of slide, refinishing not included	\$100
Stipple front strap, refinishing not included	\$150
Blue complete pistol	\$125
Blue slide and small parts	\$60
Blue frame and small parts	\$65
Parkerize complete pistol	\$55
Parkerize slide and small parts	\$35
Parkerize frame and small parts	\$35
Hard chrome complete pistol	\$210
Hard chrome slide and small parts	\$110
Hard chrome frame and small parts	\$100
Black "T" finish complete pistol	\$200
Black "T" finish slide and small parts	\$100
Black "T" finish frame and small parts	\$100
Black/Green "T" duotone finish complete pistol	\$225

RRA 1911 PISTOL PARTS

PS1001	KART .45ACP 5" barrel	\$132.00	PS1325	Mainspring housing, flat, 30 lpi, blue	\$27.00
PS1030	NM barrel bushing, blue	\$20.00	PS1335	Mainspring housing, flat, 20 lpi, stainless	\$30.00
PS1035	NM barrel bushing, stainless	\$17.00	PS1340	Mainspring housing, flat, 30 lpi, stainless	\$30.00
PS1040	Barrel link	\$5.75	PS1355	Mainspring retainer	\$2.00
PS1045	Barrel link pin	\$2.00	PS1360	Mainspring retainer pin, blue	\$2.00
PS1050	Disconnecter	\$16.00	PS1365	Mainspring retainer pin, stainless	\$3.50
PS1055	Ejector pin	\$1.00	PS1370	Plunger spring	\$1.50
PS1060	Ejector, 9mm	\$20.00	PS1375	Plunger tube, blue	\$10.00
PS1065	Ejector, .45	\$20.00	PS1376	Plunger tube, stainless	\$14.00
PS1070	Extractor, .45	\$22.00	PS1380	Rear sight, Bomar BMCS Target	\$66.00
PS1071	Extractor, 9mm	\$22.00	PS1381	Rear sight, Bomar BMCS Combat	\$66.00
PS1076	Firing pin, 9mm	\$8.00	PS1385	Rear sight, Heinie Straight	\$36.75
PS1080	Firing pin spring	\$3.00	PS1385S	Rear sight, Heinie Slant Pro	\$36.75
PS1085	Firing pin stop, .45	\$15.00	PS1386	Rear sight, Heinie Straight Tritium	\$76.00
PS1086	Firing pin stop, 9mm	\$15.00	PS1386S	Rear sight, Heinie Slant Pro Tritium	\$76.00
PS1150	Front sight, dovetailed and profiled, .180	\$12.00	PS1387	Rear sight, Heinie Straight Novak	\$36.75
PS1152	Front sight, with fiber optic insert, .180	\$25.00	PS1387S	Rear sight, Heinie Slant Pro Novak	\$36.75
PS1155	Front sight, with tritium, .180	\$30.00	PS1388	Rear sight, Heinie Straight Novak & Tritium	\$80.00
PS1160	Super rosewood grips, standard	\$24.00	PS1388S	Rear sight, Heinie Slant Novak & Tritium	\$80.00
PS1161	Super rosewood grips, mag well	\$24.00	PS1389	NEW! Rear sight, Heinie Slant Novak 3 Dot	\$92.00
PS1162	Super rosewood grips, mag well and ambi	\$26.00	PS1390	Rear sight, RRA Adjustable Combat	\$60.00
PS1163	Super rosewood grips, thin	\$26.00	PS1391	Rear sight, RRA Adjustable Combat, tritium	\$100.00
PS1166	Cocobolo grips	\$24.00	PS1392	Rear sight, RRA Adjustable Target	\$60.00
PS1167	Cocobolo grips, mag well	\$24.00	PS1395	Rear sight, MMC with tritium	\$102.00
PS1168	Cocobolo grips, mag well and ambi	\$26.00	PS1400	Rear sight, Novak with tritium	\$90.00
PS1170	Grip screw, blue	\$1.25	PS1401	Rear sight, Novak Adjustable with tritium	\$99.00
PS1172	Grip screw, stainless	\$1.75	PS1401A	Rear sight, Novak Adjustable	\$70.00
PS1176	Grip screw, thin, blue	\$1.25	PS1404	Rear sight, Novak	\$33.00
PS1176S	Grip screw, thin, stainless	\$1.75	PS1405	Rear sight, Aristocrat	\$130.00
PS1177	Grip screw bushing, thin, blue	\$1.25	PS1410A	7 lb standard recoil spring	\$7.00
PS1177S	Grip screw bushing, thin, stainless	\$1.50	PS1410B	9 lb standard recoil spring	\$7.00
PS1180	Grip screw bushing	\$1.25	PS1410C	11 lb standard recoil spring	\$7.00
PS1181S	Grip screw bushing, stainless	\$1.50	PS1410	13 lb standard recoil spring	\$7.00
PS1185	Grip safety, standard	\$28.00	PS1410E	16 lb standard recoil spring	\$7.00
PS1190	Grip safety, S&A, blue	\$35.00	PS1410F	18 lb standard recoil spring	\$7.00
PS1190S	Grip safety, S&A, stainless	\$36.00	PS1410G	20 lb standard recoil spring	\$7.00
PS1200	Grip safety, Ed Brown, blue	\$35.00	PS1410H	16 lb Commander recoil spring	\$7.00
PS1200S	Grip safety, Ed Brown, stainless	\$35.00	PS1410I	18 lb Commander recoil spring	\$7.00
PS1205	Commander hammer	\$65.00	PS1410J	20 lb Commander recoil spring	\$7.00
PS1206	Bullseye hammer	\$65.00	PS1414	2 piece recoil guide rod, 4.5" with plug	\$20.00
PS1210	Spur hammer	\$55.00	PS1415	2 piece recoil guide rod, 5" with plug	\$20.00
PS1211	Light speed hammer	\$90.00	PS1415S	Recoil spring guide, 5", 2 piece, stainless	\$25.00
PS1215	Hammer pin, blue	\$1.50	PS1416	2 piece recoil guide rod, 6", no plug	\$26.00
PS1220	Hammer pin, stainless	\$4.00	PS1419	6" recoil plug, for long slide w/standard spring	\$14.00
PS1225	Hammer strut	\$10.00	PS1420	Recoil guide plug, standard	\$8.00
PS1230	Hammer strut pin	\$.75	PS1421	Recoil spring guide, standard, blue	\$20.00
PS1240	S&A mag guide, flat, checkered, blue, 20 LPI	\$95.00	PS1422	Recoil plug, commander	\$8.00
PS1241	S&A mag guide, flat, checkered, stainless	\$95.00	PS1423	Recoil guide, commander	\$15.00
PS1245	S&A mag guide, arched, checkered, blue	\$82.00	PS1425	EGW reverse recoil plug	\$16.00
PS1246	S&A mag guide, arched, checkered, stainless	\$82.00	PS1440	Scope mount, Weigand 3rd Gen	\$100.00
PS1247	S&A mag guide, flat, checkered, blue, 25 LPI	\$95.00	PS1445	Sear	\$20.00
PS1248	S&A mag guide, flat, checkered, blue, 30 LPI	\$95.00	PS1446	Sear, low mass	\$45.00
PS1250	1911 7 round .45 ACP mag, blue, Metalform	\$24.00	PS1450	Sear pin, blue	\$1.50
PS1250S	1911 7 round .45 ACP mag, stainless	\$33.00	PS1455	Sear pin, stainless	\$4.00
PS1255S	1911 9 round 9mm mag, stainless	\$29.00	PS1460	Sear spring	\$5.00
PS1260	Mag catch, standard, blue	\$16.00	PS1495	Slide stop, blue	\$18.00
PS1265	Mag catch, ext., tactical, blue	\$20.00	PS1500	Slide stop, stainless	\$30.00
PS1270	Mag catch, standard, stainless	\$16.00	PS1505	Slide stop plunger	\$1.50
PS1275	Mag catch, extended tactical, stainless	\$20.00	PS1505S	Slide stop plunger, stainless	\$4.00
PS1280	Mag catch lock, blue	\$3.00	PS1510	Standard thumb safety	\$19.00
PS1285	Mag catch lock, stainless	\$4.00	PS1526	Ed Brown wide ambi safety, blue	\$55.00
PS1290	Mag catch spring	\$1.00	PS1527	Ed Brown wide ambi safety, stainless	\$58.00
PS1295	Mag release button, blue, 4-40	\$9.50	PS1528	Ed Brown wide safety, blue	\$30.00
PS1295S	Mag release button, stainless, 4-40	\$9.50	PS1529	Ed Brown tactical ambi safety, blue	\$55.00
PS1296	Mag catch, tapped 4-40, blue	\$21.00	PS1530	Ed Brown tactical ambi safety, stainless	\$58.00
PS1297	Mag catch, tapped 4-40, stainless	\$21.00	PS1531	Ed Brown tactical safety, blue	\$30.00
PS1300	Mainspring, 19 lb	\$4.00	PS1532	Ed Brown tactical safety, stainless	\$32.00
PS1305	Mainspring cap	\$2.00	PS1533	Ed Brown wide safety, stainless	\$32.00
PS1310	Mainspring cap pin, blue	\$2.00	PS1535	Thumb safety plunger	\$1.50
PS1310S	Mainspring cap pin, stainless	\$4.00	PS1535S	Thumb safety plunger, stainless	\$4.00
PS1315	Mainspring housing, arched, serrated, blue	\$27.00	PS1540	Match Trigger, speed	\$20.00
PS1316	Mainspring housing, arched, 20 LPI, blue	\$30.00	PS1541	Match Trigger, medium	\$20.00
PS1317	Mainspring housing, arched, 30 LPI, blue	\$30.00	PS1542	Match Trigger, long	\$20.00
PS1318	Mainspring housing, arched, 25 LPI, blue	\$30.00	PS1543	Match Trigger, extra long	\$25.00
PS1320	Mainspring housing, flat, 20 lpi, blue	\$27.00	PS1545	Match Trigger, short	\$20.00
PS1322	Mainspring housing, flat, 25 lpi, blue	\$27.00			



RRA Logo Ballpoint Pen

RRA Logo Pen RRAPEN **\$20**



Embroidered RRA Logo Caps

High quality cap with embroidered Rock River Arms logo.
RRA Logo Cap - Colors vary CL0903 **\$8**



RRA Logo Key Ring with Light

RRA Logo Key Ring with Light RRAKEY **\$10.50**



RRA Logo T-Shirts

Available in Medium, Large, X-L, XX-L and XXX-L.
RRA Logo T-Shirt - Colors vary CL0201 **\$14**



RRA Logo Insulated Travel Mugs

Available in Red or Blue.
RRAMUG **\$15**

RRA Logo Coolie Can Insulators

Available in Red or Blue.
RRACOLIE **\$3**



RRA Logo Hooded Sweatshirts

Colors vary.
Medium, Large, X-Large CL0102 **\$33**
XX-Large, XXX-Large CL0103 **\$40**

RRA LOGO GEAR & GIFTS



Rock River Arms, Inc. • 1042 Cleveland Rd • Colona, IL 61241 • Toll Free Order Line: 866-980-ROCK (7625)
Tel: 309-792-5780 • Fax: 309-792-5781 • Email: info@rockriverarms.com • www.rockriverarms.com