



Index

AR-50 .50 Caliber	4 - 5
AR-30M .300/.308/.338 Caliber	6
AR-180B .223 Caliber	7
ArmaLite AR-10 Series .308 Caliber Rifles & Carbines	8 - 11
ArmaLite AR-10/M-15 Standard Features/Options Charts.	12 - 13
ArmaLite M-15 Series .223 Caliber Rifles & Carbines	14 - 17
ALOSTYR	18
A.R.M.S., Sights, Scope Mounts	19
Top Ends	20
Ammunition	20
Upper Receivers and Parts	21 - 22
Lower Receivers and Parts	23
Furniture and Stocks	24
Flash Suppressors and Recoil Checks	24
AR-22 Blank Firing Device	25
AR-50/AR-30 Parts and Accessories.	25
Barrel Assemblies	26
ArmaLite AirSoft	27

ArmaLite® Inc.

P.O. Box 299 / Geneseo, IL 61254

ORDERS/INFORMATION:

Hours: 8:00-4:30 CST Monday thru Friday

Orders: 1-800-336-0184 / Phone: 309-944-6939

Fax: 309-944-6949 / E-mail: info@armalite.com

Website: www.armalite.com

MILITARY & POLICE SALES

P.O. Box 340, Campbellsburg, KY 40011

Phone: 502-532-0300 / Fax: 502-532-0775

E-mail: toppc@armalite.com



A Note from the President . . .

We're all pleased that the "Assault Weapon" ban of 1994 has expired. This will allow you to purchase rifles that more closely match your wishes than you have been allowed for a decade.

I was recently asked about the effect of the ban on ArmaLite® over the past 10 years. My response reflected ArmaLite's focus on technical improvements, and the stunning increase in the use of our rifles in the highest levels of U.S. Competition: The President's Match and the National Trophy Matches. Ten years ago, as an Ordnance Officer and Commander of a small Marksmanship Training Unit, I was one of a few voices pressing the authorities and team leaders to transition to the M-16 family of rifles, and was making rifles and parts available to the members of the Army teams I shot on as part of an effort to encourage their use. Even I had little inkling that they would prove so successful, and would allow women and young shooters to compete against the heavier rifles then dominating the ranges. Today, few serious shooters living in states allowing ownership of an ArmaLite National Match rifle, or rifles copied from them, will shoot an M-14.

That must provide a reminder to all of us. Next year, or the year after, those who believe that even honorable Americans should not own firearms will return to halt production of our rifles, and then prepare to threaten your very ownership of them. All of us must remain vigilant to assure that our rifles remain in safe hands, ours, so that we can prevent tragedy that could fuel the propaganda of our opponents. Just as importantly, we must continue to participate in the political battles to come.

In the meantime you can rest assured that ArmaLite will maintain one of the strongest Research and Development efforts in the small arms industry. With sophisticated Laboratory capabilities backing a great Engineering effort, you can be sure that ArmaLite's support to government and private purchasers alike will remain unparalleled. The information we gain is resulting in a constant flow of new technical notes and other information that we will continue to provide you in the Library at ArmaLite.com.

I must advise you that increased demands from U.S. Government, State Law Enforcement and Export customers will limit the availability of ArmaLite rifles for the foreseeable future. Shortages will increase. We apologize for the inconvenience, and will work hard to boost production to support you as fast as possible.

Mark A. Westrom, President

Multiple Product Lines . . .

ArmaLite® offers the most complete product line in the business. Each of our powerful .308 caliber AR-10™ rifles is matched by a compact 16-inch carbine version – and each AR-10 rifle and carbine is matched by a twin .223 caliber from the M-15™ line. Within each of these families, ArmaLite offers super accurate T models, flexible A4 flattop models and rugged tactical A2 models. In addition to our famed AR-10 and M-15 lines, we're also producing the innovative AR-50™ and AR-30™ bolt action rifles. Only ArmaLite offers such a broad, balanced product line.

All American Made . . .

The ArmaLite name provides assurance that you're buying both quality and innovation. Every component of our rifles, carbines and genuine ArmaLite parts lineup has been reviewed and improved, down to individual pins and springs – and every component is U.S. made, with no imported surplus parts like many of the "bilingual" (rifles made of mixed U.S. and foreign parts) FAL or G-3 type rifles on the market today.

All Backed By The Best Warranty . . .

Our commitment to quality and technical excellence throughout the production process is backed up by a Limited Lifetime Warranty on each of our AR-10s and M-15s – the best warranty in the business!

Pricing Policy . . .

In 1994, during the worst of the buying panic brought about by consideration of the "Assault Weapon" ban, and contrary to the policies of our competitors, ArmaLite, (then Eagle Arms) continued to deliver at prices promised well before the panic. We made a conscious strategic decision to maintain good, long-term relationships with our customers rather than reap a short-term surge in profits. Only Colt, to their credit, held to similar policy. Unfortunately, their distributors generally did not.

ArmaLite will continue to hold prices down as long as costs or conditions allow. In the event market demand raises the value of our rifles, however, ArmaLite must reserve the right to review prices at the time of delivery.




FIELD 7.3210M
AP-10
US

.50 CALIBER AR-50™

The AR-50 is intended to provide an economical, accurate rifle for shooters interested in the challenges of long-range shooting.

It features outstanding accuracy based on the V-block mounting of the stock. It's a machine rest shaped like a stock!

This innovative, single shot bolt action rifle bears a unique octagonal receiver bedded into an aluminum stock. It is equipped with a modified M16 type vertical pistol grip and removable buttstock for ease of transport.

AR-50 Rifle

50B **\$2,885**
 Left-Handed Model 50BLB **\$2,885**

Comes with 15 minute sight base, owners manual and Limited Lifetime Warranty. Shown with optional scope, scope mount, scope base, bipod and adapter sold separately.

- CALIBER:** .50 BMG
- LENGTH:** 59.5 INCHES
- WEIGHT:** 33.2 LBS.
- BARREL:** 31 INCH CHROME MOLY, 8 GROOVE, RH 1:15 INCH TWIST
- RECOIL CHECK:** HIGHLY EFFICIENT MULTI-FLUTE, RECOIL VERY MODERATE
- RECEIVER:** MODIFIED OCTAGONAL FORM, DRILLED & SLOTTED FOR SCOPE RAIL
- BOLT:** TRIPLE FRONT LOCKING LUG
- EXTRACTOR:** SAKO TYPE
- EJECTOR:** SPRING LOADED PLUNGER, AUTOMATIC EJECTION
- TRIGGER:** SCHILLEN STANDARD SINGLE STAGE, APPROXIMATE 5 LB. PULL
- FINISH:** MANGANESE PHOSPHATED STEEL, HARD ANODIZED ALUMINUM
- SCOPE RAIL:** MIL STANDARD WITH BOSS TO ENGAGE CROSS-SLOT ON RECEIVER
- STOCK:** 3 SECTION: EXTRUDED FOREND, MACHINED GRIP FRAME WITH VERTICAL GRIP, FORGED AND MACHINED REMOVABLE BUTTSTOCK
- BUTTPLATE:** VERTICALLY ADJUSTABLE, SPECIALLY BUILT FOR HEAVY CALIBERS
- ACCESSORIES:** SEE PAGE 25



AR-50





AR-30M™ .300/.308/.338 CAL.

Our most precise mid-caliber rifle!

The AR-30M is similar in design to the innovative ArmaLite AR-50™. With its fixed machine rest shaped stock and unique octagonal receiver, the AR-30M is ArmaLite's most precise mid-caliber rifle.

Available in three calibers – the .300 Win Mag, .308/7.62mm and the .338 Lapua – the AR-30M is equipped with a triple lapped match grade barrel and 5-round magazine for fast changes during matches.

AR-30M Rifle

.300 Win Mag	30M300	\$1,460
.308 Win	30M308	\$1,460
.338 Lapua	30M338	\$1,615

Comes with 15 minute sight base, 5-round magazine, owners manual and Limited Lifetime Warranty.

- CALIBER:** .300 WIN MAG / .308 WIN / .338 LAPUA
- LENGTH:** 48 INCHES
- WEIGHT:** 12 LBS.
- BARREL:** 26" CHROME MOLY, 6 GROOVE, RH 1:10 INCH TWIST
- RECOIL CHECK:** HIGHLY EFFICIENT MULTI-FLUTE, RECOIL VERY MODERATE
- RECEIVER:** MODIFIED OCTAGONAL FORM, DRILLED & SLOTTED FOR SCOPE RAIL
- BOLT:** DUAL FRONT LOCKING LUG
- TRIGGER:** SCHILEN STANDARD SINGLE STAGE, APPROXIMATE 5 LB. PULL
- FINISH:** MANGANESE PHOSPHATED STEEL, HARD ANODIZED ALUMINUM
- SCOPE RAIL:** MIL STANDARD WITH BOSS TO ENGAGE CROSS-SLOT ON RECEIVER
- STOCK:** 3 SECTION: EXTRUDED FOREND, MACHINED GRIP FRAME WITH VERTICAL GRIP, FORGED AND MACHINED REMOVABLE BUTTSTOCK
- BUTTPLATE:** VERTICALLY ADJUSTABLE, SPECIALLY BUILT FOR HEAVY CALIBERS
- ACCESSORIES:** SEE PAGE 25

AR-30



AR-180B™ .223 CAL.

With the best features of the .223 caliber M-15 and the 1st Gen AR-180 rifles . . .

The lower on our new AR-180B is made of a high strength polymer, and features the trigger group and magazine well of the AR-15®, so it uses standard AR-15 type mags and repair parts are readily available.

The upper is formed sheet metal like the 1st Gen AR-180™ and features the AR-180 gas system to keep operating gasses outside the receiver. The chrome moly barrel features an integral muzzle brake and our exclusive adjustable front sight base.

The new AR-180B's upper and lower receiver groups are interchangeable with those of the 1st Gen AR-180, so earlier models may now be repaired by replacing the upper or lower half.

AR-15 is a registered Trademark of Colt®

AR-180B Rifle

180B	\$750
Top End - 18001000	\$580
Handguard Set - EX1541	\$ 26

With owners manual, 10-round magazine and 1 year warranty.

CALIBER:	.223/5.56MM, NATO CHAMBER
LENGTH:	38 INCHES
WEIGHT:	6 LBS.
BARREL:	20" CHROME MOLY, RH 1:9 INCH TWIST
UPPER RECEIVER:	FORMED SHEET METAL
LOWER RECEIVER:	HIGH STRENGTH POLYMER
TRIGGER:	STANDARD M-15 TRIGGER GROUP
MAGAZINE:	STANDARD M-15 MAGAZINE
SIGHTS:	REAR SIGHT ADJUSTABLE FOR WINDAGE, SMALL AND LARGE APERTURES



AR-10(T)[™] .308 CAL.

Our Top-of-the-Line Rifle!

The AR-10(T) offers outstanding accuracy and reliability for both competition and tactical use.

The triple-lapped stainless steel barrel floats within a rugged fiberglass handguard.

The Military Standard sight base (Picatinny rail) on the upper receiver and the gas block allow rapid and repeatable interchange of removable iron or scope sights.

The AR-10(T) features our famed machined, tool-steel two-stage National Match trigger group.

Comes with scope mount, two 10-round magazines, owners manual and Limited Lifetime Warranty. Scope not included.

AR-10(T) Rifle

Green, SST Barrel, Match Trigger	10TN	\$2,126
Black, SST Barrel, Match Trigger	10TBN	\$2,126





AR-10(T)[™] ULTRA

.300 Remington Short Action Ultra Magnum (SAUM)

The AR-10(T) Ultra offers outstanding accuracy and reliability for competition and tactical use. The triple-lapped stainless steel barrel floats within a rugged fiberglass handguard. The Mil Standard sight base (Picatinny rail) on the upper receiver and the gas block allow rapid and repeatable interchange of removable iron or scope sights. The AR-10(T) Ultra features our famed machined, tool-steel two-stage National Match trigger group.

Comes with scope mount and one 5-round magazine, owners manual and Limited Lifetime Warranty.

AR-10A4[™] .308 CAL. SPR[™] (Special Purpose Rifle[™])

Combining the tactical build of the AR-10A2[™] with the MIL STD 1913 (Picatinny rail) receiver and gas block of the AR-10(T), the AR-10A4 provides the tactical flexibility of removable conventional sights with ArmaLite's sturdy telescopic sight mounts. The barrel starts life as a double-lapped match barrel, and is then chrome lined to retain better accuracy than previous tactical rifles while providing the corrosion resistance of chrome lining. At home, on the range or in the field, the AR-10A4 is a serious rifle for tactical or sport purposes.

Comes with scope mount, one 10-round magazine and one 20-round magazine, sling, owners manual and Limited Lifetime Warranty. Shown with optional scope. Post-ban model available.

AR-10A4[™] CARBINE .308 CAL.

The AR-10A4 Carbine offers the same sighting choices as the AR-10A4 SPR[™] in this handy compact format. Hard hitting and rugged, at home, on the range or in the field. All our AR-10A4 and AR-10(T) rifles feature our clamping gas block, allowing the removable front sight to be rotated to zero. This assures that the rear sight is centered and full left and right windage movement is available when shooting in strong winds.

Comes with scope mount, one 10-round magazine and one 20-round magazine, sling, owners manual and Limited Lifetime Warranty. Shown with optional scope. Post-ban model available.



AR-10(T) Ultra

Green, SST Barrel, Match Trigger

10TNU **\$2,340**

Black, SST Barrel, Match Trigger

10TBNU **\$2,340**



AR-10A4 Rifle

Green, Chrome Lined Barrel

10A4 **\$1,506**

Black, Chrome Lined Barrel

10A4B **\$1,506**

Green, Chrome Lined Barrel, Match Trigger

10A4N **\$1,606**

Black, Chrome Lined Barrel, Match Trigger

10A4BN **\$1,606**



AR-10A4 Carbine

Green, Chrome Lined Barrel

10A4C **\$1,506**

Black, Chrome Lined Barrel

10A4CB **\$1,506**

Green, Chrome Lined Barrel, Match Trigger

10A4CN **\$1,606**

Black, Chrome Lined Barrel, Match Trigger

10A4CBN **\$1,606**

Mid-length Handguards

ArmaLite invented the mid-length handguard to provide great looks, a comfortable grip and most importantly, perfectly tuned gas flow for a 16" barrel.

AR-10A2™ RIFLE .308 CAL.

The Infantry Model

The 7.62mm equivalent of the famed M-16A2 (semi-automatic only). The AR-10A2 uses the same 20" double-lapped barrel as the AR-10A4™ Special Purpose Rifle® for peak accuracy.

Comes with one 10-round magazine and one 20-round magazine, sling, owners manual and Limited Lifetime Warranty. Post-ban model available.



AR-10A2 Rifle

Green, Chrome Lined Barrel	10A2	\$1,506
Black, Chrome Lined Barrel	10A2B	\$1,506
Green, Chrome Lined Barrel, Match Trigger	10A2N	\$1,606
Black, Chrome Lined Barrel, Match Trigger	10A2BN	\$1,606

AR-10A2™ CARBINE .308 CAL.

The AR-10A2 Carbine is the compact companion to the Infantry Model, with the convenient 16-inch long barrel. The handy intermediate length handguards provide much more flexibility in hand position than the short handguards used by competing brands. Our carbines are the most balanced, attractive 16-inch carbines on the market.

Comes with one 10-round magazine and one 20-round magazine, sling, owners manual and Limited Lifetime Warranty. Post-ban model available.



AR-10A2 Carbine

Green, Chrome Lined Barrel	10A2C	\$1,506
Black, Chrome Lined Barrel	10A2CB	\$1,506
Green, Chrome Lined Barrel, Match Trigger	10A2CN	\$1,606
Black, Chrome Lined Barrel, Match Trigger	10A2CBN	\$1,606

AR-10B™ .308 CAL.

The Legend Returns!

The AR-10B represents ArmaLite's return to some of the early features that captured the imagination of millions. The AR-10B features the unique charging handle in the carry handle of the first AR-10s, brown Sudanese style furniture, elevation scale window, and the famed ArmaLite Pegasus logo.

The .308 caliber AR-10B is the perfect rifle for those collectors who could only wish for an ArmaLite in its early days.

Comes with one 10-round magazine and one 20-round magazine, sling, owners manual and Limited Lifetime Warranty...and your very own Hi-Cap Toaster!



AR-10B

10B
\$1,698



Free with each AR-10B: An exclusive Hi-capacity Toaster with the ArmaLite logo!



From competition to combat, for out of the box accuracy and dependability, those who know shoot an ArmaLite.

NAME: JUSTIN SHAFFER
RANK: SFC
DUTY POSITION: SCOUT SNIPER SECTION LEADER
HOME TOWN: DENVER, COLORADO
SERVICE BRANCH: UNITED STATES ARMY
YEARS: 10
ACCOMPLISHMENTS: FORMER SNIPER SCHOOL INSTRUCTOR. TOP SHOOTER AT THE 2000 CANADIAN INTERNATIONAL SNIPER CONCENTRATION. WINNER OF 2002 US ARMY INTERNATIONAL SNIPER COMPETITION AND TOP SHOOTER IN 2002 CANADIAN INTERNATIONAL SNIPER COMPETITION USING AN ARMALITE AR-10.



AR-180B



AR-10(T) ULTRA



AR-10A4 SPR



AR-10A4 CARBINE



AR-10A2



AR-10A2 CARBINE



AR-10B



AR-10(T)



M-15A4



M-15A4(T)



M-15A4 CARBINE



M-15A2



M-15A2 CARBINE



M-15A2 NATIONAL MATCH



M-15A4 NATIONAL MATCH (SPR II)



FEATURES AND OPTIONS

AR-10™ STANDARD FEATURES

	ITEM #	CAL.	UPPER RECEIVER	STANDARD BARREL	RIFLING TWIST	TRIGGER TYPE	FRONT SIGHT BASE	REAR SIGHT	LENGTH	WEIGHT	RETAIL PRICE	PAGE NO.
AR-10B™	10B	.308	A2	20" Chrome Lined Med	RH 1:11.25 IN	Standard	M16 Style	Battle	41.0 in.	9.4 Lbs.	\$1,698	7
AR-10(T)™	10TN	.308	Flattop	24" Stainless T Heavy	RH 1:11.25 IN	NM Two Stage	Gas Block	None	43.5 in.	10.8 Lbs.	\$2,126	8
AR-10A4™ SPR™	10A4	.308	Flattop	20" Chrome Lined	RH 1:11.25 IN	Standard	Gas Block	None	41.0 in.	9.0 Lbs.	\$1,506	10
AR-10A4™ Carbine	10A4C	.308	Flattop	16" Chrome Lined	RH 1:11.25 IN	Standard	Gas Block	None	37.0 in.	8.4 Lbs.	\$1,506	10
AR-10A2™	10A2	.308	A2	20" Chrome Lined	RH 1:11.25 IN	Standard	M16 Style	Battle	41.0 in.	9.4 Lbs.	\$1,506	11
AR-10A2™ Carbine	10A2C	.308	A2	16" Chrome Lined	RH 1:11.25 IN	Standard	M16 Style	Battle	37.0 in.	8.7 Lbs.	\$1,506	11

M-15™ STANDARD FEATURES

	ITEM #	CAL.	UPPER RECEIVER	STANDARD BARREL	RIFLING TWIST	TRIGGER TYPE	FRONT SIGHT BASE	REAR SIGHT	LENGTH	WEIGHT	RETAIL PRICE	PAGE NO.
M-15A4(T)™	15A4TN	.223	Flattop	24" Stainless T Heavy	RH 1:8 IN	NM Two Stage	Gas Block	None	42.4 in.	9.2 Lbs.	\$1,504	14
M-15A4™ SPR™	15A4	.223	Flattop	20" Chrome Lined HBAR	RH 1:9 IN	Standard	Gas Block	None	39.5 in.	7.9 Lbs.	\$1,100	16
M-15A4™ Carbine	15A4C	.223	Flattop	16" Chrome Lined	RH 1:9 IN	Standard	Gas Block	None	35.6 in.	7.0 Lbs.	\$1,100	16
M-15A2™	15A2	.223	A2	20" Chrome Lined HBAR	RH 1:9 IN	Standard	M16 Style	Field	39.5 in.	8.1 Lbs.	\$1,100	16
M-15A2™ Carbine	15A2C	.223	A2	16" Chrome Lined	RH 1:9 IN	Standard	M16 Style	Field	35.6 in.	7.0 Lbs.	\$1,100	17
M-15A2™ National Match	15A2NM	.223	A2	20" Stainless NM Sleeved	RH 1:8 IN	NM Two Stage	M16 Style	Match	38.4 in.	9.0 Lbs.	\$1,472	17
M-15A4™ National Match SPR™ II	15A4NM	.223	Flattop	20" Stainless NM Sleeved	RH 1:8 IN	NM Two Stage	M16 Style	None	38.4 in.	8.8 Lbs.	\$1,472	17

POPULAR OPTIONS AND ACCESSORIES

		AR-10B	AR-10(T)	AR-10A4 SPR	AR-10A4 CARBINE	AR-10A2	AR-10A2 CARBINE	M-15A4(T)	M-15A4 SPR	M-15A4 CARBINE	M-15A2	M-15A2 CARBINE	M-15A2 NM	M-15A4 SPR II
Stainless Steel Barrel			STD					STD					STD	STD
Two Stage National Match Trigger	#EMNM01	OPT	STD	OPT	OPT	OPT	OPT	STD	OPT	OPT	OPT	OPT	STD	STD
Detachable Carry Handle, AR-10	#EA5050		OPT	OPT	OPT									
Detachable Carry Handle, M-15	#E20149							OPT	OPT	OPT				STD
Detachable Front Sight, AR-10	#EA5045		OPT	OPT	OPT									
Detachable Front Sight, M-15	#E20151							OPT	OPT					OPT
ArmaLite 1 in. Scope Mount	#EX0027		OPT	OPT	OPT			OPT	OPT	OPT				OPT
ArmaLite 30mm Scope Mount	#EX0022		OPT	OPT	OPT			OPT	OPT	OPT				OPT
Arms Inc. AR-10A2 Scope Mount	#EX1351					OPT	OPT							
Arms Inc. M-15A2 Scope Mount	#EX1350										OPT	OPT	OPT	

STD: STANDARD FEATURE OPT: OPTIONAL FEATURE

M-15A4(T)TM Rifle .223 CAL.

Our Top-of-the-Line .223!

The M-15A4(T) features the same configuration as the famed AR-10(T)TM .308, but in the accurate, light recoiling smaller .223 caliber. This quality engineered rifle makes a great target or varmint rifle.

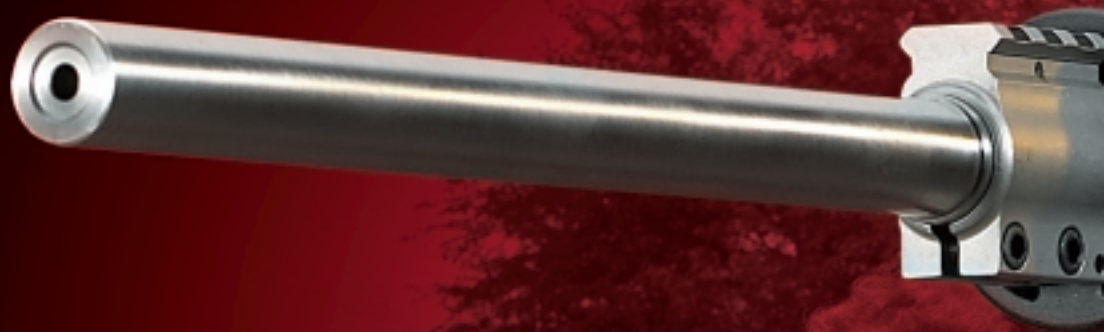
The M-15A4(T) comes equipped with ArmaLite's National Match two-stage trigger and boasts a triple-lapped match grade stainless steel barrel.

M-15A4(T) Rifle

Green, SST Barrel, Match Trigger 15A4TN **\$1,504**

Black, SST Barrel, Match Trigger 15A4TBN **\$1,504**

Comes with scope mount, 1 10-round magazine and Limited Lifetime Warranty.





M-15A4™ Rifle .223 CAL.

SPR™ (Special Purpose Rifle™)

The M-15A4 offers the flexibility of the Picatinny rail applied to a standard grade .223 caliber rifle. Light recoiling and accurate, this is a fine, flexible rifle for Law Enforcement.

All of ArmaLite's flat-top models accept ArmaLite's removable front sights and carry handles, and other devices conforming to MIL STD 1913 (Picatinny rail).

Comes with scope mount, one 30-round magazine, sling, owners manual and Limited Lifetime Warranty.

M-15A4™ Carbine .223 CAL.

This is the .223 caliber sister of the famed AR-10A4 Carbine. The M-15A4 carbine provides the benefits of ArmaLite's economical flat-top flexibility in a short barreled, light recoiling format.

Handy and good looking, this rifle is compact, lightweight and maneuverable.

Comes with scope mount, one 30-round magazine, sling, owners manual and Limited Lifetime Warranty.

M-15TN™ Rifle .223 CAL.

The M-15(T) is a shorter, lighter version of the M-15A4(T). It uses a 20" triple-lapped, match grade stainless steel barrel, ArmaLite's exclusive National Match two-stage trigger mechanism, and free floating fiberglass handguard. The M-15(T) offers all of the features of our top-of-the-line .223 caliber M-15A4(T) in a shorter, lighter rifle.

Comes with scope mount, one 10-round magazine, sling, owners manual and Limited Lifetime Warranty. Shown with optional scope.

M-15A4™ National Match .223 CAL.

SPR™ (Special Purpose Rifle™)

ArmaLite's new M-15A4 SPR™ II rifle features a special, triple-lapped barrel, the strongest floating barrel sleeve in the industry, and ArmaLite's exclusive, machined tool-steel two-stage trigger mechanism. DCM legal.

Comes with National Match carry handle, National Match sights, clamp-on A2 sight, one 10-round magazine, sling, owners manual and Limited Lifetime Warranty.



M-15A4 Rifle

Green, Chrome Lined Barrel	15A4	\$1,100
Black, Chrome Lined Barrel, Match Trigger	15A4B	\$1,100
Green, Chrome Lined Barrel, Match Trigger	15A4N	\$1,200
Black, Chrome Lined Barrel, Match Trigger	15A4BN	\$1,200



M-15A4 Carbine

Green, Chrome Lined Barrel	15A4C	\$1,100
Black, Chrome Lined Barrel	15A4CB	\$1,100
Green, Chrome Lined Barrel, Match Trigger	15A4CN	\$1,200
Black, Chrome Lined Barrel, Match Trigger	15A4CBN	\$1,200



M-15TN Rifle

Green, Chrome Lined Barrel, Match Trigger	15TN	\$1,322
Black, Chrome Lined Barrel, Match Trigger	15TBN	\$1,322



M-15A4 SPR II

Green, SST Barrel, Match Trigger	15A4NM	\$1,472
Black, SST Barrel, Match Trigger	15A4BNM	\$1,472

M-15A2™ Rifle .223 CAL. The Service Rifle

The M-15A2 is ArmaLite's semi-automatic civilian version of the famed M-16A2 rifle, the rifle you carried in the service. Durable and reliable for long field service, its superb accuracy is based on the double-lapped and chrome lined barrel. Includes ArmaLite's front sight base with bayonet lug and flash suppressor. An outstanding tactical rifle, excellent for Law Enforcement or entry level Service Rifle training.

Comes with one 30-round magazine, sling, owners manual and Limited Lifetime Warranty.

M-15A2™ Carbine .223 CAL.

This is the carbine version of the M-15A2 rifle, the .223 caliber twin to the popular AR-10A2™ Carbine.

ArmaLite's exclusive mid-length handguards provide the handiness of a 16-inch long barrel, flexibility in grip position and an optimal gas pulse to power the operating system.

Comes with one 30-round magazine, sling, owners manual and Limited Lifetime Warranty.

M-15A2™ National Match .223 CAL.

ArmaLite's National Match rifles are unsurpassed. More national-level military shooters have chosen ArmaLites than any other brand. In fact, the 2000 National Service Rifle Match AND the President's Match were both won by ArmaLites. ArmaLite's M-15A2 National Match is DCM legal.

They feature a special, triple-lapped barrel, National Match 1/4 windage - 1/2 elevation sights with clear digits and the strongest floating barrel sleeve in the industry.

Comes with one 10-round magazine, sling, owners manual and Limited Lifetime Warranty.



M-15A2 Rifle

Green, Chrome Lined Barrel	15A2	\$1,100
Black, Chrome Lined Barrel	15A2B	\$1,100
Green, Chrome Lined Barrel, Match Trigger	15A2N	\$1,200
Black, Chrome Lined Barrel, Match Trigger	15A2BN	\$1,200



M-15A2 Carbine

Green, Chrome Lined Barrel	15A2C	\$1,100
Black, Chrome Lined Barrel	15A2CB	\$1,100
Green, Chrome Lined Barrel, Match Trigger	15A2CN	\$1,200
Black, Chrome Lined Barrel, Match Trigger	15A2CBN	\$1,200



M-15A2 National Match

Green, SST Barrel, Match Trigger	15A2NM	\$1,472
Black, SST Barrel, Match Trigger	15A2BNM	\$1,472



ArmaLite's President, Mark Westrom, and Law Enforcement Vice President, Charles Topp, with Indonesian Police Armorers during an Armorer's course presented in August 2004. Great guys, but under-equipped and stretched thin in the war against terror and crime.



ALOSTYR

ArmaLite is proud to introduce the ALOSTYR™ line of products and accessories. ALOSTYR is a complete system designed by our engineering staff, then precision machined in our state-of-the-art machine shop facility, allowing an endless variety of options when customizing your ArmaLite rifle. The ALOSTYR line features products exclusive to ArmaLite, you won't find them anywhere else.

ADD LOTS OF "STUFF" TO YOUR RIFLE

Flip-up Sighting System

Another exciting innovation from ArmaLite, Inc. We offer two different flip-up sights designed for the M-15 and AR-10 series rifles. This means true trajectory for each individual caliber!

ALOSTYR Flip-up Front Sights

The Flip-Up Front Sight is also available for either the M-15 or AR-10. The sight accepts either standard or National Match front sight posts using standard front sight tools.

M-15	15806065	\$132.00
AR-10	10806065	\$132.00

ALOSTYR Flip-Up Rear Sights

The Flip-Up Rear Sight is available for either the M-15 or AR-10 with individual sight drum trajectory. Both offer true elevation for 300, 400, 500 and 600 yards with four single clicks to easily guide you to each elevation.

M-15	15806005	\$132.00
AR-10	10806005	\$132.00



SPR™ Rail Adapter

The SPR Rail is a long accessory rail that attaches at the receiver and extends to the quad rail over the handguards.

This multi-purpose rail can accommodate a wide variety of scopes, flip-up sights and night vision equipment for optimum performance.



.223 SPR™ Rails		
Mid Rifle	15805060KIT	\$105.00
Rifle	15805065KIT	\$105.00

.308 SPR™ Rails		
Carbine Rifle	10805075KIT	\$105.00
Rifle	10805080KIT	\$105.00
Ultra Mag	10805085KIT	\$105.00

Forward Grip

The ALOSTYR forward pistol grip attaches to the 1913 or Fiber Quad handguard, allowing the shooter to assume a more comfortable firing stance. Increasingly popular with military and law enforcement personnel, as well as civilian shooters.

10903005	Black	\$45.95
10903035	Green	\$45.95



1913 Handguard

No special fitting required! This aluminum handguard system has 4 Picatinny rails and replaces the handguards on the A2 & A4 rifles.

ArmaLite's is a 2-piece unit which means you get the best of both worlds, no disassembly of your rifle, just replace the handguards & you're ready to go! ArmaLites work on both .223 & .308 rifles.



MIL STD 1913 Handguard

Rifle	10705110KIT	\$190.00
Mid-length Carbine 8"	10705111KIT	\$190.00
Carbine 6"	10705112KIT	\$190.00

Fiber Quad Handguard

This Quad Rail fits into our fiberglass tube, with a 4-way Picatinny rail system.

The system mates up with the SPR rail adapter. Can also be used without the rail adapter to accept all sighting/lighting systems that employ knobs or nuts for tightening, as well as lever devices.



.308 Fiber Quad

Green Ultra	EA5123	\$140.00
Green Rifle	EA5113	\$140.00
Green Carbine	EA5117	\$140.00
Black Ultra	EA5125	\$140.00
Black Rifle	EA5111	\$140.00
Black Carbine	EA5115	\$140.00

.223 Fiber Quad

Black Rifle	EU1167	\$140.00
Black Car Mid	EC1111	\$140.00
Green Rifle	EU1168	\$140.00
Green Car Mid	EC1113	\$140.00

Side-Mount Sling Swivel

The Side-Mount Sling Swivel is a member of the ALOSTYR family which allows slings to be attached to the side of the rifle, installing on either the 1913 or Fiber Quad handguard. This swivel mounts quickly and securely to the rifle using a button head cap screw, allowing installation of the tactical slings preferred by military and law enforcement personnel.

The ALOSTYR Sling Swivel is available in two versions; the Quick Detachable version (pictured on top) which uses the Uncle Mike's Sling Swivel, and the Standard version (pictured on bottom) which uses the standard military-style swivel and rivet attachment.

15903015	QD Sling Swivel	\$21.99	15903025	Std Sling Swivel	\$29.99
----------	-----------------	----------------	----------	------------------	----------------



ArmaLite Scope Mounts

ArmaLite's scope mounts provide outstanding, repeatable engagement with the Mil-Std 1913 (Picatinny) rail used on all modern ARs, while placing the scope centerline at the same position as the iron sights of the M-15A2 rifle... you use the same stock weld with the scope that you do with the iron sights. Available in both 1-Inch and 30mm models.



ArmaLite One-Piece Rings & Mount

1-Inch Scope Mount EX0027 **\$89.00**
30mm Scope Mount EX0022 **\$89.00**



ArmaLite Two-Piece Rings & Mount

1-Inch EX0029 **\$89.00**
30mm EX0024 **\$89.00**

A.R.M.S. Inc. Mounting systems



#38 - Swan® Sleeve

With integral spring loaded flip-up rear sight, for Mil-spec flat-top rifles and carbines.

#38 S-Ex - Super Extended 14"	.223	EX1410	\$180.00
	.308	EX1411	\$180.00
#38 Ex - Extended Length 8.46"	.223	EX1405	\$165.00
	.308	EX1406	\$165.00
#38 Std - Standard Length	.223	EX1400	\$150.00
	.308	EX1402	\$150.00



#39 - A2 Plus Mount

#22 30mm Throw Lever Rings Low EX1380 **\$109.00**



#22 - 30mm Throw Lever Rings

Guaranteed repeat zero with easy on and off spring loaded throw levers.

#22 30mm Throw Lever Rings	Low	EX1380	\$109.00
#22 30mm Throw Lever Rings	Medium	EX1381	\$109.00
#22 30mm Throw Lever Rings	High	EX1415	\$109.00
#37 30mm to 1-Inch Ring Inserts		EX1385	\$ 29.00



#5 - MultiBase

Quick detachable, multiple eye relief, spring loaded clamping bar, iron sight see thru, STANAG and dovetail rail fastening.

#5 EX1355 **\$49.00**



#6 - II Adapter Bracket

Converts NATO STANAG mount to Weaver type rail. Includes two securing screws.

#6 EX1360 **\$49.00**



#7 - III Adapter Bracket

Converts NATO STANAG scopes to Weaver type rail.

#7 EX1362 **\$48.95**

#18 - M21/14/M1A Mount (Not pictured)

The #18 offers interchangeability of Day & Night Vision, in an ultra low profile, Mil-Std 1913 rail. Made of 8620 case hardened steel.

#18 EX1420 **\$174.00**

#19a - Throw Lever Mount Combination

Weaver Dovetail/STANAG throw lever mount.

#19a EX1365 **\$140.00**



#19acog - ACOG Channel Mount

Attaches Weaver type rail mount with A.R.M.S. zero throw levers.

19acog EX1366 **\$150.00**



#20 - Night Vision Throw Lever Mount

For AN/PVS-4 night vision scopes, fits M16 type mounts, A.R.M.S. dovetail rails.

#20 EX1370 **\$150.00**



#21 - STANAG 30mm Rings

Attaches to STANAG mounts

#21 EX1375 **\$80.00**



#22M68 - Aimpoint Comp Throw Lever Ring

Secure fit with repeat zero.

#22M68	EX1425	\$125.00
#22M68 Half Spacer	EX1426	\$ 9.10
#22M68 Full Spacer	EX1427	\$ 9.10



#40 - Stand Alone Flip-Up Rear Sight

Spring loaded, ensures repeat zero.

#40 .223 EX1345 **\$95.95**



ArmaLite Top Ends

Each ArmaLite top end includes a forged upper receiver assembly, barrel assembly, bolt carrier group and charging handle assembly. There's no faster or more economical way to convert your ArmaLite for another use. Have two or three rifles at great prices! We test fire all our top ends as complete rifles before shipping!

AR-10 .308 Top Ends



AR-10(T) Ultra-Mag Flat-top, 24" Stainless Steel RH 1:11.25 twist T heavy barrel, Picatinny rail gas block, ALOSTYR™ Fiber Quad handguard tube.
Green U10TU **\$1220.00** Black U10TBU **\$1220.00**



AR-10(T) Flat-top, 24" Stainless Steel RH 1:11.25 twist T heavy barrel, Picatinny rail gas block. NM fiberglass handguard tube.
Green U10T **\$960.00** Black U10TB **\$960.00**



AR-10A4 Flat-top, 20" Chrome Lined RH 1:11.25 twist barrel, Picatinny rail gas block.
Green U10A4 **\$748.00** Black U10A4B **\$748.00**



AR-10A4 Carbine Flat-top, 16" Chrome Lined RH 1:11.25 twist barrel, Picatinny rail gas block.
Green U10A4C **\$790.00** Black U10A4CB **\$790.00**



AR-10A2 20" Chrome Lined RH 1:11.25 twist barrel.
Green U10A2 **\$790.00** Black U10A2B **\$790.00**



AR-10A2 Carbine 16" Chrome Lined RH 1:11.25 twist barrel.
Green U10A2C **\$790.00** Black U10A2CB **\$790.00**



M-15 .223 Top Ends



M-15A4(T) Flat-top, 24" Stainless Steel RH 1:8 twist T heavy barrel, Picatinny rail gas block, NM fiberglass handguard tube.
Green U15A4T **\$600.00** Black U15A4TB **\$600.00**



M-15(T) 20" stainless steel RH 1:8 twist heavy barrel, free floating barrel sleeve.
Green U15T **\$600.00** Black U15TB **\$600.00**



M-15A4 Flat-top, 20" Chrome Lined RH 1:9 twist heavy barrel, Picatinny rail gas block.
Green U15A4 **\$500.00** Black U15A4B **\$500.00**



M-15A4 Carbine Flat-top upper, 16" Chrome Lined RH 1:9 twist heavy barrel, Picatinny rail gas block.
Green U15A4C **\$500.00** Black U15A4CB **\$500.00**



M-15A2 20" Chrome Lined RH 1:9 twist heavy barrel.
Green U15A2 **\$500.00** Black U15A2B **\$500.00**



M-15A2 Carbine 16" Chrome Lined RH 1:9 twist heavy barrel.
Green U15A2C **\$500.00** Black U15A2CB **\$500.00**



M-15A2 National Match Forged A2 upper, 20" stainless steel RH 1:8 twist heavy barrel, free floating barrel sleeve.
Green U15A2NM **\$675.00** Black U15A2BNM **\$675.00**

Ammunition

Black Hills

Black Hills selects only the best propellants, primers, cartridge cases and bullets combined with high quality manufacturing techniques and careful workmanship to produce consistently superior ammunition. This dependable quality and consistent performance is why ArmaLite uses American made Black Hills ammunition to test fire our rifles!

LBA1000	BLACK HILLS .223 MATCH 68 GR 500-round case	\$247.50
LBA1020	BLACK HILLS .223 MATCH 75 GR 500-round case	\$279.50
LBA1040	BLACK HILLS .223 MATCH 75 GR 500-round case	\$274.50
LBA1060	BLACK HILLS .223 MATCH 55 GR 500-round case	\$254.50
LBA1080	BLACK HILLS .308 MATCH 168 GR 500-round case	\$399.50
LBA110	BLACK HILLS .308 MATCH 168 GR 500-round case	\$399.50

Genuine Lapua Brand .338 Lapua Magnum Ammunition

LKA2000	LAPUA 250 GR SCENAR - Box of 20	\$ 71.60
LKA2010	LAPUA .338 252 GR LACKBACE - Box of 20	\$ 71.60
LKA2020	LAPUA .338 SCENAR - Box of 20	\$ 76.20

In order to process your ammunition order, we must have a copy of your drivers license including photo and birth date. You can fax a copy to 309-944-6949, or mail to ArmaLite, PO Box 299, Geneseo, IL 61254.





AR-10A2 Upper Receiver

Precision machined from high tensile strength 7175 T74 aluminum forgings, hardcoat anodized.

- Stripped Upper EA1003 **\$249.00**
- Complete Upper EK0010 **\$352.00** w/rear sight and port door



AR-10A4 Flat-top Upper Receiver

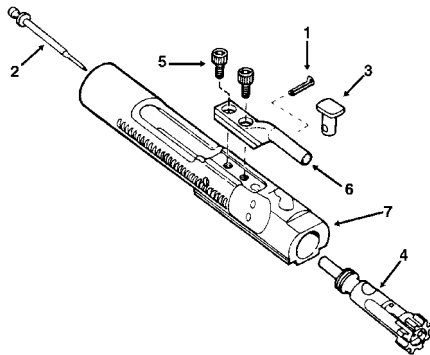
Precision machined from high tensile strength 7175 T74 aluminum forgings, hardcoat anodized.

- Stripped Upper EA1000 **\$239.00**
- Complete Upper EK0020 **\$281.00** w/port door



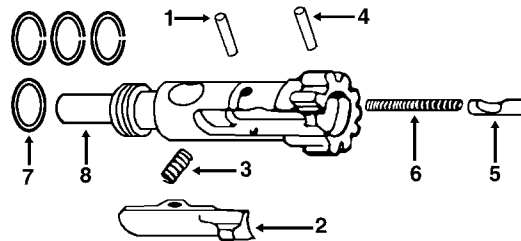
AR-10 Complete Bolt Carrier Group

Chrome lined, affordably priced EA1085 **\$257.00**



AR-10 Bolt Carrier Group Parts

- | | | |
|---|--------|-----------------|
| 1 Firing pin retaining pin, long (.945) | EA1009 | \$3.50 |
| 2 Firing pin, AR-10 | EA1010 | \$12.00 |
| 3 Firing pin spring, AR-10 | EA1011 | \$1.00 |
| 4 Cam pin, AR-10 | EA1015 | \$9.00 |
| 5 Bolt assembly, AR-10 | EA1080 | \$115.00 |
| 6 Bolt carrier key screws | EB0140 | \$5.00 |
| 7 Bolt carrier key | EB0150 | \$9.00 |
| 8 Bolt carrier, AR-10 | EA1075 | \$145.00 |



AR-10 Bolt Assembly Parts

- | | | |
|------------------------------|--------|----------------|
| 1 Extractor pin, AR-10 | EA1020 | \$5.00 |
| 2 Extractor, AR-10 | EA1025 | \$33.00 |
| 3 Extractor spring, AR-10 | EA1030 | \$5.00 |
| 4 Ejector pin, AR-10 | EA1040 | \$5.00 |
| 5 Ejector, AR-10 | EA1045 | \$2.00 |
| 6 Ejector spring, AR-10 | EA1050 | \$6.00 |
| 7 McFarland™ Gas Ring, AR-10 | EA1055 | \$3.50 |
| 8 Bolt, stripped, AR-10 | EA1060 | \$90.00 |
| Buna 70 O-Ring | EB0065 | \$5.00 |
| Extractor spring insert | EA1035 | \$5.00 |

AR-10 Complete Bolt Assembly

EA1080 **\$115.00**

AR-10 Field Repair & Spring Replacement Kits

Key parts to keep your rifle firing for years!

.308 Caliber AR-10 Field Repair Kit

EA6020 **\$60.00**

Includes: helical spring (elevation, big), firing pin, firing pin spring, firing pin retaining pin, cam pin, extractor, extractor pin, extractor spring (2), ejector, ejector pin, ejector spring (2), McFarland™ Gas Ring, hammer spring, disconnecter spring (2), trigger spring.

.308 Caliber AR-10 Spring Replacement Kit

EA6000 **\$16.00**

Includes: helical spring (3), helical spring (elevation, big), firing pin spring, extractor spring, ejector spring, port door spring, ejector/safety spring (2), detent spring (2), buffer detent spring, bolt stop spring, mag catch spring, hammer spring, disconnecter spring, trigger spring, charging handle latch spring, front sight spring.



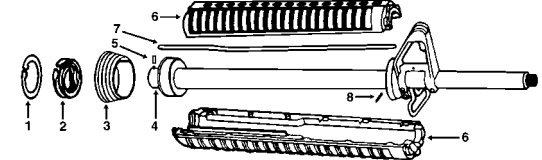
AR-10 Detachable Carry Handle Assembly

Reliable back-up iron sights that mount perfectly on the 10(T) and 10A4 models. Featuring ArmaLite's recoil-stopping cross-lug to prevent receiver damage due to lock-screw movement. With field sights, .70/.195 aperture. EA5050 **\$115.00**

AR-10 Detachable Front Sight

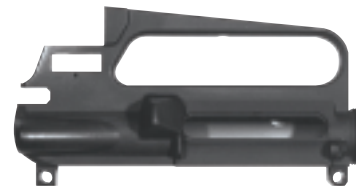
Allows the use of the iron rear sight, but is removable to allow the use of telescopic sights without obstruction to the sight line.

EA5045 **\$50.00**



AR-10 Barrel Assembly Parts

- | | | |
|-----------------------------------|--------|----------------|
| 1 Slip ring retaining ring, AR-10 | EA1160 | \$.75 |
| 2 Slip ring spring, AR-10 | EA1155 | \$ 7.00 |
| 3 Slip ring, AR-10 | EA1150 | \$13.00 |
| 4 Barrel extension, AR-10 | EA1147 | \$60.00 |
| Barrel nut, AR-10 | EA1149 | \$18.50 |
| Barrel nut, AR-10(T) | EA1146 | \$15.00 |
| 6 Handguard set | EU0070 | \$15.00 |
| 7 Gas tube, AR-10 Rifle | EA1131 | \$12.00 |
| Gas tube, AR-10 Carbine | EA1128 | \$12.00 |
| 8 Gas tube pin, AR-10 | EA1132 | \$.50 |
| Handguard tube lock ring | EA5030 | \$13.00 |
| 9 AR-10 crush washer | EU0220 | \$ 2.80 |



M-15A2 Upper Receiver

Precision machined from high tensile strength 7075 T6 aluminum forgings, hardcoat anodized.

- Stripped Upper E20140B **\$133.00**
- Complete Upper, with forward assist, rear sight and port door EK0110 **\$228.00**
- With NM Rear Sight EK0111 **\$257.00**



M-15A4 Flat-top Upper Receiver

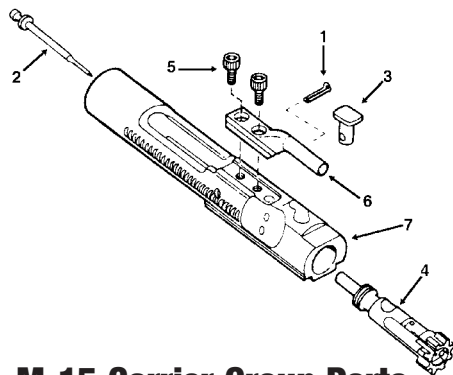
Precision machined from high tensile strength 7075 T6 aluminum forgings, hardcoat anodized.

- Stripped Upper EU0520B **\$133.00**
- Complete Upper, with forward assist and port door EK0130 **\$172.00**



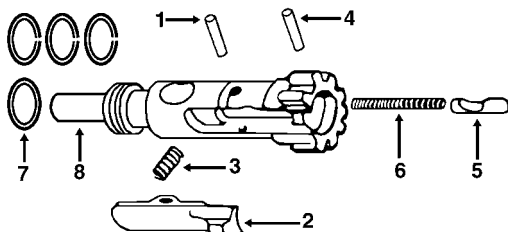
M-15 Complete Bolt Carrier Group

Key parts, affordably priced!
Includes items #1 thru #7 below EB0170 **\$135.00**



M-15 Carrier Group Parts

1	Firing pin retaining pin	EB0010	\$.65
2	Firing pin	EB0020	\$6.00
3	Cam pin	EB0030	\$4.00
4	Bolt assembly	EB0040	\$50.00
5	Key screws	EB0140	\$.50
6	Bolt carrier key	EB0150	\$13.75
7	Bolt carrier	EB0160	\$73.00



M-15 Bolt Assembly Parts

1	Extractor pin, AR-10	EA1020	\$.50
2	Extractor, AR-10	EA1025	\$33.00
3	Extractor spring, AR-10	EA1030	\$.50
4	Ejector pin, AR-10	EA1040	\$.50
5	Ejector, AR-10	EA1045	\$2.00
6	Ejector spring, AR-10	EA1050	\$.60
7	McFarland™ Gas Ring, AR-10	EA1055	\$3.50
8	Bolt, stripped, AR-10	EA1060	\$90.00
9	Buna 70 O-Ring	EB0065	\$.50
10	Extractor spring insert	EA1035	\$.50

M-15 Complete Bolt Assembly

EB0040 **\$50.00**



M-15A4 Detachable Carry Handle Assembly

Forged and machined for high quality, these reliable back-up iron sights mount perfectly on the flattop M-15A4(T) and M-15A4 models. Featuring ArmaLite's recoil-stopping cross-lug to prevent receiver damage due to lock-screw movement. Fits all rifles with Mil-Std upper receivers, comes with battle sights.

E20149 **\$97.00**

M-15A4 Detachable Front Sight Assembly

A detachable front sight allows the use of the iron rear sight, but is easily removed to allow the use of telescopic sights without obstruction.

E20151 **\$50.00**



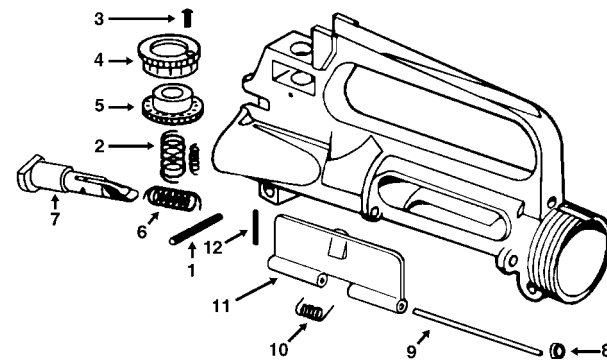
Charging Handle Assembly

Standard charging handle, without reinforced gusset, for use with .22LR conversion unit. EU0010 **\$26.00**

M-15A2 Clamp-On Front Sight Housing

Our exclusive forged-steel clamp-on front sight base allows you to zero the front sight so that the rear sight is perfectly centered. Massive clamp screws hold the base tightly in place without the bore deformation common to the usual, difficult to service pins – no pins, so it is easily reusable.

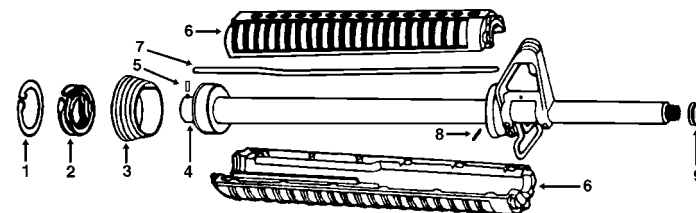
Black EU0240M **\$43.50** Front
Black EU0240MPKIT w/Screws **\$43.50**
Black EU0240-1P Pre ban pin on with bayonet lug **\$43.50**



Upper Receiver Parts

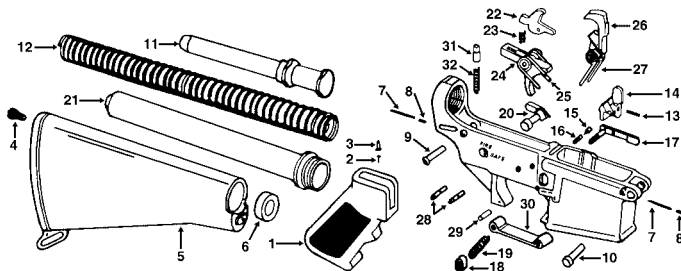
1	*Rear sight retaining/forward assist pin	E20090	\$.50
2	*Helical spring, elevation (large)	E20100	\$.75
3	*Index set screw	E20110	\$2.00
4	Elevation index	E20120	\$6.00
5	*Elevation knob - standard	E20130	\$6.00
6	Forward assist spring	EU0480	\$.75
7a	Forward assist (teardrop)	EU0470	\$15.00
7b	Forward assist (round)	EU0460	\$10.00
8	Ejection port cover pin retaining clip	EU0350	\$.35
9	Ejection port cover pin	EU0340	\$1.50
10	Ejection port cover spring	EA1167	\$.40
11	Ejection port cover	EU0370	\$4.50
12	Forward assist retaining pin	E20090	\$.50
	Forward Assist Kit (Teardrop)	EMK008	\$15.00
	Forward Assist Kit (Round)	EMK007	\$11.30
	Port Door Kit	EMK009	\$6.75

* INDICATES PARTS USEABLE ON AR-10/308



M-15 Barrel Assembly Parts

1	Slip ring retaining ring	EU0320	\$1.00
2	Slip ring spring	EU0310	\$4.50
3	Slip ring	EU0300	\$11.00
Delta Ring Kit, Rifle Not for "T" models			
		EMK027	\$16.50
4	Barrel extension	EU0331	\$35.00
5	*Barrel extension index pin	EU0332	\$3.00
	Handguard cap	EU0333	\$3.00
6	*Handguard set, M-15A2 (round)	EU0070	\$15.00
7	Gas tube, rifle	EU0170	\$12.00
	Gas tube, post-ban carbine	EC0058	\$12.00
8	Gas tube retaining pin	EU0160	\$.50
9	Shim washer	EU0120	\$2.50
	Lock washer	EU0140	\$1.75



AR-10 Lower Half Parts

9 Takedown pin, AR-10	EA1113	\$ 6.00
Oversize Takedown pin	EA5101	\$ 10.00
10 Pivot pin, AR-10	EA1112	\$ 6.00
Oversize Pivot pin	EA5100	\$ 10.00
11 Buffer, AR-10	EA1090	\$ 18.00
12 Operating spring, AR-10	EA1095	\$ 6.00
13 Bolt stop pin, AR-10	EL0220	\$.50
14 Bolt stop, AR-10	EA1100	\$ 16.00
17 Magazine catch, AR-10	EA1108	\$ 12.00
18 Magazine catch button, AR-10	EL0270	\$ 3.75
26 Hammer, AR-10	EA1111	\$ 22.00
Trip, bolt catch, AR-10	EA5092	\$ 3.00
27 J-Spring	EL0311	\$ 2.00

AR-10 Buttstock Assembly

Does not include buttstock screw, spacer, buffer, buffer spring or receiver extension.

Green EA1120G **\$40.00** Black EA1120 **\$35.00**

AR-10 .308 Caliber Mags

5 Round Mag	EX0505	\$35.00
10 Round Mag	EX0510	\$30.00
20 Round Mag	EX0500	\$39.00

Magazine Conversion Kit with Box
Includes converted mag body, follower and plunger.

EA5085 **\$30.00**



National Match Two Stage Trigger

The same trigger mechanism used on ArmaLite's top grade rifles.

The combination of a long first stage and light second stage gives the impression of a very light trigger while assuring long, safe sear surfaces. The ONLY fully machined tool steel trigger mechanism on the market.

EMNM01 **\$180.00**



M-15 Lower Half Parts

1 *Pistol grip, black	EL0030	\$5.00
1 *Pistol grip, green	EG0050	\$6.00
*Pistol grip screw	EL0010	\$1.00
*Pistol grip screw washer	EL0020	\$.50

Pistol Grip Kit includes grip, screw and washer
Black EMK020 **\$6.50** Green EMK020G **\$7.50**

2 *Ejector/Safety spring (2 per rifle)	EB0110	\$7.50
3 *Safety detent	EL0060	\$1.00
4 *Buttstock screw (A2)	EL0090	\$3.00
5 *Buttstock Assembly (A2), black	EL0110	\$35.00
5 *Buttstock Assembly (A2), green	EG0020	\$40.00
*Rear sling swivel	EL0120	\$3.00
*Rear sling swivel screw	EL0122	\$3.00
6 *Buttstock spacer	EL0130	\$1.50

A2 Buttstock Kit includes buttstock, screw, spacer, buffer, buffer spring, receiver extension
Black EMK017 **\$65.00** Green EMK017G **\$70.00**

7 *Detent spring (2 per rifle)	EL0140	\$7.50
8 *Detent (2 per rifle)	EL0150	\$7.50
9 Takedown pin	EL0160	\$5.00
10 Pivot pin	EL0170	\$5.00
11 Buffer	EL0180	\$14.00
12 Buffer spring	EL0210	\$2.50
13 *Bolt stop pin	EL0220	\$.50
14 Bolt stop	EL0230	\$8.00
15 *Bolt stop plunger	EL0240	\$1.25
16 *Bolt stop spring	EL0250	\$7.50
17 Mag catch	EL0260	\$6.00
18 *Mag catch button (aluminum)	EL0270	\$3.75
19 Mag catch spring	EL0280	\$7.50
20 * Safety selector	EL0290	\$10.00
21 * Rifle receiver extension	EL0370	\$20.50
22 * Disconnecter	EL0330	\$6.00
23 * Disconnecter spring	EL0340	\$7.50
24 * Standard Trigger	EL0350	\$15.00
25 * Trigger spring	EL0360	\$1.50
26 Hammer	EL0310	\$22.00
27 * Hammer spring	EL0320	\$1.50
28 * Hammer and trigger pin	EL0300	\$1.25
29 * Trigger guard pin	EL0430	\$.35
30 * Trigger guard assembly	EL0380	\$8.00
31 * Buffer detent	EL0190	\$1.00
32 * Buffer detent spring	EL0200	\$1.00
Offset Pin (GI upper to large pin lower)	EX0200	\$5.00
Offset Bushing (Large pin upper to GI lower)	EX0201	\$5.00

Standard Trigger Group EMK005 **\$35.00**

*** INDICATES PARTS USEABLE ON AR-10/.308**

Lower Receiver Parts Kit

Lower Receiver Parts Kit Includes: ejector/safety spring, pistol grip screw, pistol grip washer, black pistol grip, safety detent, detent spring (2), detent (2), takedown pin, pivot pin, buffer detent, buffer detent spring, bolt stop pin, bolt stop, bolt stop plunger, bolt stop spring, mag catch, mag catch button, mag catch spring, safety selector, hammer and trigger pin, hammer, hammer spring, disconnecter, disconnecter spring, standard trigger, trigger spring, trigger guard assembly, trigger guard pin big.

With Green Pistol Grip EMK014G **\$69.00**

With Black Pistol Grip EMK014 **\$69.00**

Lower Receiver Parts Kit with NM Trigger

Includes: ejector/safety spring, pistol grip screw, pistol grip washer, black pistol grip, safety detent, detent spring (2), detent (2), takedown pin, pivot pin, buffer detent, buffer detent spring, bolt stop pin, bolt stop, bolt stop plunger, bolt stop spring, mag catch, mag catch button, mag catch spring, safety selector, hammer spring, trigger spring, trigger guard assembly, trigger guard pin big, stage two NM trigger, stage two NM hammer, stage two NM disconnecter, stage two NM disconnecter pin, stage two disconnecter spring, NM hammer/trigger pin (.155).

With Green Pistol Grip EMK013G **\$206.00**

With Black Pistol Grip EMK013 **\$205.00**

Ambidextrous Safety Selector

.223 and .308 caliber.

EX0097 **\$40.00**



Extended Bolt Stop

Pin not included, uses existing pin.
.223 caliber only. Not for AR-10.

EX0096 **\$54.00**

Bolt stop pin EL0220 **\$.50**



M-15 Field Repair & Spring Replacement Kits

Key parts to keep your rifle firing for years!

M-15 Field Repair Kit EMK012 **\$33.50**

Includes: helical spring (elevation, big), firing pin, firing pin retaining pin, cam pin, extractor, extractor pin, extractor spring (2), extractor spring plunger (2), ejector/safety spring (2), hammer spring, disconnecter, disconnecter spring (2), trigger spring, gas rings.

M-15 Spring Replacement Kit EMK010 **\$15.00**

Includes: helical spring (3), helical spring (elevation, big), extractor spring, extractor spring plunger, ejector/safety spring (2), detent spring (2), buffer detent spring, bolt stop spring, mag catch spring, hammer spring, disconnecter spring, trigger spring, charging handle latch spring, front sight spring, ejection port cover spring, forward assist spring.

M-15. 223 Magazines

Aluminum 5-Round
Blocked 20-round mag
EX0075 **\$17.00**

Steel 10-Round
Blocked 20-round mag
EX0072 **\$18.00**

Aluminum 30-Round
MIL-SPEC
EX0068 **\$19.00**



A2 Buttstock Assembly

Buttstock length 10³/₄".
Does not include buttstock screw, spacer,
buffer, buffer spring, receiver extension.

Green EG0020 **\$40.00**
Black EL0110 **\$35.00**

A2 Buttstock Kit

Includes buttstock, screw, spacer, buffer,
buffer spring, receiver extension

Black EMK017 **\$65.00**
Green EMK017G **\$70.00**

A2 Standard Pistol Grip

Green EG0050 **\$6.00**
Black EL0030 **\$5.00**

Pistol Grip Kit

Includes grip, screw and washer

Black EMK020 **\$6.50**
Green EMK020G **\$7.50**



A2 Handguard Set

For AR-10A4, AR-10A2, M-15A4, and M-15A2.

Green EG0040 **\$20.00**
Black EU0070 **\$20.00**

A2 Furniture Set

For AR-10A4, AR-10A2, M-15A4, and M-15A2.
Includes A2 handguard set, pistol grip and buttstock assembly.
Does not include buttstock spacer, buffer, buffer spring or
receiver extension.

Green EG0100 **\$66.00**
Black EG0200 **\$66.00**



Pre-Ban .223 Carbine Buttstock Kit

Collapsible, extended length 9¹/₂" - includes buffer,
buffer spring, tube. Will not work on AR-10s.

Green, Plastic EMK015G **\$87.00**
Black, Plastic EMK015P **\$87.00**

AR-10 Collapsible Buttstock Kit

Collapsible, extended length 9¹/₂" - includes buffer,
buffer spring, tube.

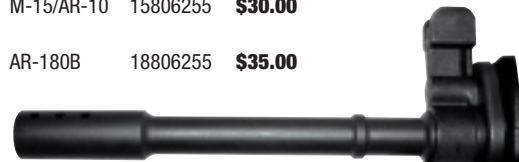
Green EA2020G **\$103.00**
Black EA2020 **\$103.00**

Bayonet Lug Adapter

Another ArmaLite exclusive! Bayonet lug for the AR-180B,
M-15A4 and AR-10A4 models using the Picatinny rail
gas block or the standard AR-180B front sight base.
Installs quickly and easily using the existing clamping screws.
No gunsmithing required.



M-15/AR-10 15806255 **\$30.00**



AR-180B 18806255 **\$35.00**

Flash Suppressors As issued

.223 caliber flash suppressor.
EU0100KIT **\$ 5.25**

.308 flash suppressor (phosphate finish).
10108200KIT **\$23.00**

.308 flash suppressor (stainless steel).
10108205KIT **\$23.00**

Recoil Checks For maximum recoil reduction

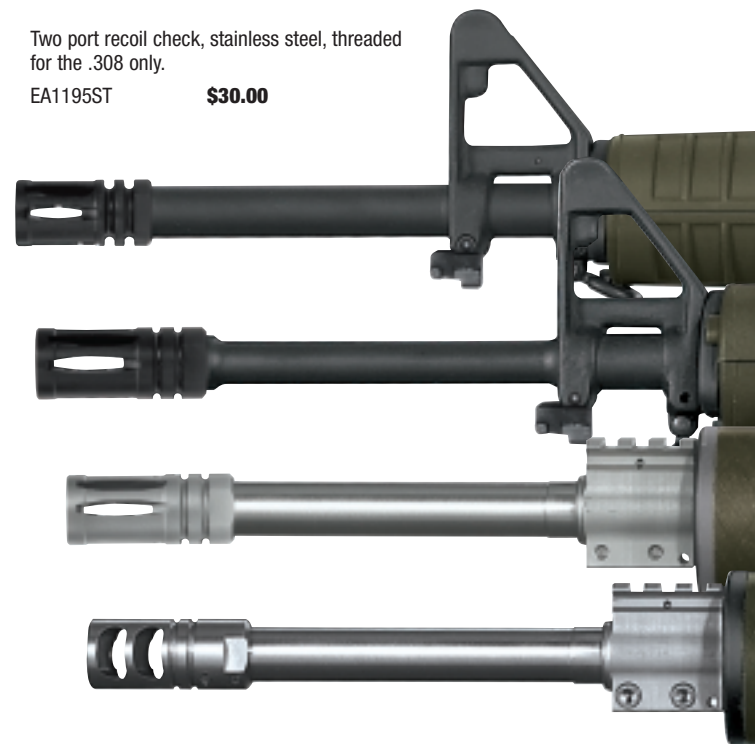
.223 caliber (M-15 only), two port recoil check, phosphate finish, threaded.
EU0117M2 **\$30.00**

Two port recoil check, phosphate finish, no threads, used on "Post-ban"
.223 and .308 rifles without threaded muzzles.
EA1195M2-1P **\$30.00**

Two port recoil check, phosphate finish, threaded for the .308 only.
EA1195M2P **\$30.00**

Two port recoil check, stainless steel, no threads, used on "Post-ban"
.223 and .308 rifles without threaded muzzles.
EA1195ST-1 **\$30.00**

Two port recoil check, stainless steel, threaded
for the .308 only.
EA1195ST **\$30.00**



ArmaLite AR-22™ Blank Firing Device for the MK19 MOD 4 Grenade Machinegun

The AR-22 is a test and training system for the MK19 Mod 4 Grenade Machinegun. It allows realistic field training with the MK19, testing weapons after service or repair, and before-operation function checking even if a live-fire range isn't available. The key to the system is a special barrel and a belt of matching adapter cartridges that powers the MK19 with the energy from 7.62mm blanks.



The AR-22 consists of:

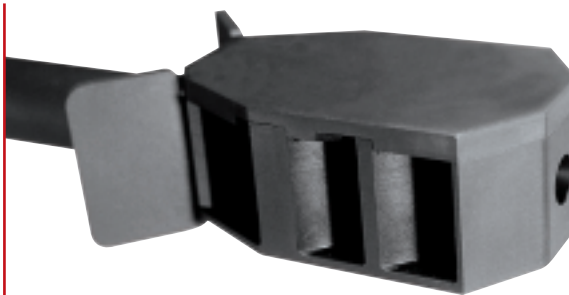
- A special barrel that mounts inside the barrel of the MK19.
- A yoke that surrounds the flash suppressor and secures the special barrel.
- A round discriminator to prevent feeding HE grenades.
- A belt of adapter cartridges that accepts standard 7.62mm M80 blanks and feeds into the MK19 in the same manner as HE grenades.
- A modified ammunition can that accepts the ammunition belt.
- A spanner wrench, punch and plier for installing the system and reloading and relinking the cartridges.

The special barrel is inserted into the MK19 barrel and secured with the yoke. The AR-22 barrel is equipped with brass contact rings, so that the bore of the weapon isn't damaged. The round discriminator is installed between the MK19's feed chute and receiver to prevent the introduction of live ammunition. The ammunition and the AR-22 ammunition belt are loaded in the usual manner. The weapon is charged and fired as if firing live ammunition, and the fired cartridges drop out the bottom of the MK19.

After firing, the fired adapters are gathered and the links are pushed back into position. The expended 7.62mm cartridges are pushed out with a drift punch and the adapters are relinked using a pair of pliers. New blanks are inserted into the adapter chambers and the belt is returned to the ammunition can.

ArmaLite AR-22 Blank Firing Device **P.O.R.**

Special Volume Pricing Available to Government Agencies



AR-50 Muzzle Brake Assembly

Massive, distinctive and only truly appreciated when you pull the trigger and feel the mild shove of .243-like recoil. The most efficient .50 caliber muzzle brake on the market! Includes deflector and locknut.

1/14 Thread AR50000-1 **\$178.00**
1/12 Thread EX0550 **\$190.00**



AR-50 Receiver Assembly

A massive, strong action with ArmaLite's three-lug bolt and lapped locking surfaces. Ideal for a custom .50 caliber rifle. Includes trigger action, bolt, receiver and recoil lug.

AR50004 **\$1,440.00**

AR-50 Barreled Action Group

Includes barrel, trigger group, bolt, receiver group, recoil lug and muzzle brake assembly.

AR50001 **\$2,225.00**

AR-50 Stock Assembly Complete

Complete AR-50 stock group, includes buttstock, forestock, grip frame and cheek piece groups.

AR50003 **\$670.00**



AR-50 Scope Base

Steel Picatinny sight rail attachment

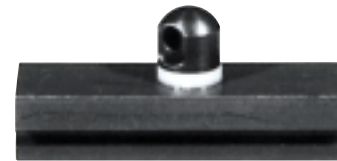
15 Minute 600 to 1000 yds AR500361 **\$80.00**
50 Minute 1000 to 1800 yds AR500365 **\$80.00**



AR-50 Rifle Case

At last! A carry case 62" long and 13 1/2" wide, big enough for your AR-50 with scope! Opens wide for use as a shooting mat, with loops for cartridges and a special muzzle brake cozy to protect that ArmaLite brake. Carry handles on the ends, as well as the middle so your best friend can help you carry your AR-50 to the range.

Black HWC 62 BLK **\$165.00**
 OD Green HWC 62 OD **\$165.00**



AR-50 Bipod Adapter

AR50120 **\$28.00**



AR-30 Receiver Assembly

The AR-30 Action Group is a great foundation for a custom rifle project. Includes precision machined AR-30 receiver, complete bolt assembly, trigger group, and recoil lug. Available in .300, .308 and .338 calibers.

.300 30001000300 **\$1,080.00**
.308 30001000308 **\$1,080.00**
.338 30001000338 **\$1,080.00**

AR-30 Five-Round Magazine

30601005338 **\$60.00**

AR-30 Muzzle Brake Assembly

Machined, not cast. For .243 to .338 calibers.

30130000 **\$172.00**



ArmaLite Barrel Assemblies

ArmaLite's barrels are custom-made for extreme accuracy and long life. All complete barrel assemblies include full front sight housing or Picatinny rail, barrel nut and handguard cap. Carbine models require ArmaLite mid-length handguard. Barrels are threaded for flash suppressor or recoil check.



AR-10(T) 24" Stainless Steel RH 1:11.25 twist T heavy barrel, with Picatinny rail gas block.
B10T **\$470.00**



AR-10A4 20" Chrome Lined RH 1:11.25 twist threaded barrel. Picatinny rail gas block.
B10A4 **\$350.00**



AR-10A2 20" Chrome Lined RH 1:11.25 twist threaded barrel.
B10A2 **\$350.00**



AR-10A4 16" Carbine Chrome Lined RH 1:11.25 twist threaded barrel.
B10A4C **\$350.00**



AR-10A2 16" Carbine Chrome Lined RH 1:11.25 twist threaded barrel.
B10A2C **\$350.00**



M-15A4(T) 24" Stainless Steel RH 1:8 twist heavy barrel.
B15A4T **\$225.00**



M-15A2 20" National Match Stainless Steel RH 1:8 twist heavy barrel. B15A2NM **\$225.00**



M-15A4 20" SPR Chrome Lined RH 1:9 twist threaded heavy barrel.
B15A4 **\$190.00**



M-15A2 HBAR 20" Chrome Lined RH 1:9 twist threaded heavy barrel.
B15A2 **\$180.00**



M-15A4 16" Carbine Chrome Lined RH 1:9 twist barrel for mid-length handguard.
B15A4C **\$200.00**



M-15A4 20" National Match Stainless Steel RH 1:8 twist heavy barrel.
B15A4NM **\$225.00**



M-15A2 16" Carbine Chrome Lined RH 1:9 twist barrel.
EC0086 **\$200.00**



Pre-ban M-15A2 20" National Match Stainless Steel RH 1:8 twist threaded heavy barrel.
EU0247 **\$225.00**

*When ordering, specify your preference of threaded flash suppressor or pinned and welded recoil check.

ARMALITE ORDERING INFORMATION

Orders Accepted by Phone, Fax, Mail, E-mail or at our Website

All payments should be by Visa, MasterCard, Discover, American Express, Cashiers Check or Money Order unless company check or credit terms have been pre-approved by ArmaLite. Illinois residents add 6.5% Sales Tax or provide State Tax number.

Take advantage of **SECURE ON-LINE ORDERING** at www.armalite.com

FFL Holders

We require a current, hand signed in ink FFL before processing dealer orders. Please have your ArmaLite account number ready when ordering. The first three and last five digits of your FFL number is your ArmaLite account number.

Additional Terms and Conditions

These instructions do not contain all of the terms and conditions set forth by ArmaLite. Please refer to ArmaLite, Inc. Terms and Conditions of Sale, available for no charge from ArmaLite upon request. All prices, specifications, terms and conditions are subject to change without notice.

NOTE: All returns are subject to a restocking fee of 15% or \$25 whichever is greater. Freight charges are not refundable. Shipping charges will be assessed on exchanged product.

Letter of Authenticity

Receive a Letter of Authenticity for your ArmaLite rifle certifying rifle serial number, history, ship date and factory designation - LOA001 **\$30.00**

Shipping Charges

Shipping charges are estimates only, and apply to pre-paid orders. Rates do not apply to packages over 20 pounds. Next Day and Second Day Air packages require an additional charge, call for pricing. Current UPS COD fee \$7.50. UPS no longer accepts cash in any amount. ArmaLite ships all packages "Adult Signature Required."

All totals figured in U.S. currency. Prices subject to change without notice.

Order Total	Add For Shipping
\$0 - \$25.00	\$6.95
\$25.01 - \$50.00	\$7.95
\$50.01 - \$100.00	\$9.95
\$100.01 - \$150.00	\$12.95
\$150.01 - \$200.00	\$14.95
\$200.01 - \$300.00	\$16.95
\$300.01 - \$400.00	\$18.95
\$400.01 - \$500.00	\$21.95
\$500.01 - AND OVER	\$25.95

ArmaLite® Inc.

P.O. Box 299 / Geneseo, IL 61254

ORDERS/INFORMATION:

Hours: 8:00-4:30 CST Monday thru Friday
Orders: 1-800-336-0184 / Phone: 309-944-6939
Fax: 309-944-6949 / E-mail: info@armalite.com
Website: www.armalite.com

MILITARY & POLICE SALES

P.O. Box 340, Campbellsburg, KY 40011
Phone: 502-532-0300 / Fax: 502-532-0775
E-mail: toppc@armalite.com

ArmaLite AR-Soft E.P. (Electro-Pneumatic) Training Rifles aren't plastic toys. They're durably made of metal and high-grade polymers...just like the originals. They're electrically powered, so no high pressure air source is needed.

Don't bother messing around with those other toys, go for the real thing. ArmaLite has designed these quality rifles so they can be used for training devices or just plinking in the back yard. They have a high speed and high torque motor and will shoot 350 feet per second. What does that mean to you? It stings when they hit you.



MODEL: M-15A2 Carbine
PART NUMBER: AR008M
WEIGHT: 2737.0g
BARREL LENGTH: 363mm
BARREL CALIBER: 6.08mm
BULLET CAPACITY: 300
BULLET: 6mm BB
INITIAL BULLET SPEED: 85-95 m/sec or 280.5 - 313.5 fps
BATTERY TYPE: Mini Type (8.4V) or 12V 1500mAh

ArmaLite AirSoft M-15A2™ Series 6mm CAL.

Automatic electric guns featuring real metal receivers!

- Retractable Stock on Carbine
- Nylon & Fiberglass Fixed Stocks on Tactical Carbine and Rifle can use 10.8 V battery
- Individual Serial Numbers
- Steel Gears
- Reinforced Adaptor Ring for Handguard
- Newest Version of Hop-up Chamber
- High Speed & High Torque Motor

M-15A2™ Carbine AR008M **\$399**

M-15A4™ Tactical Carbine AR002M **\$399**

M-15A4™ Rifle™ AR003M **\$399**

With owners manual.

MODEL: M-15A4 Tactical Carbine
PART NUMBER: AR003M
WEIGHT: 3143.0g
BARREL LENGTH: 363mm
BARREL CALIBER: 6.08mm
BULLET CAPACITY: 300
BULLET: 6mm BB
INITIAL BULLET SPEED: 85-95 m/sec or 280.5 - 313.5 fps
BATTERY TYPE: Large Type (8.4V), Fixed Stock can use 10.8 V battery



MODEL: M-15A4 Rifle
PART NUMBER: AR001M
WEIGHT: 2737.0g
BARREL LENGTH: 510mm
BARREL CALIBER: 6.08mm
BULLET CAPACITY: 300
BULLET: 6mm BB
INITIAL BULLET SPEED: 85-95 m/sec or 280.5 - 313.5 fps
BATTERY TYPE: Large Type (8.4V), Fixed Stock can use 10.8 V battery



ARMA LITE, INC.® · P.O. Box 299 · GENESEO, IL 61254 · PH. 309.944.6939 · FAX 309.944.6949

EMAIL: INFO@ARMALITE.COM · WWW.ARMALITE.COM