

INTRO

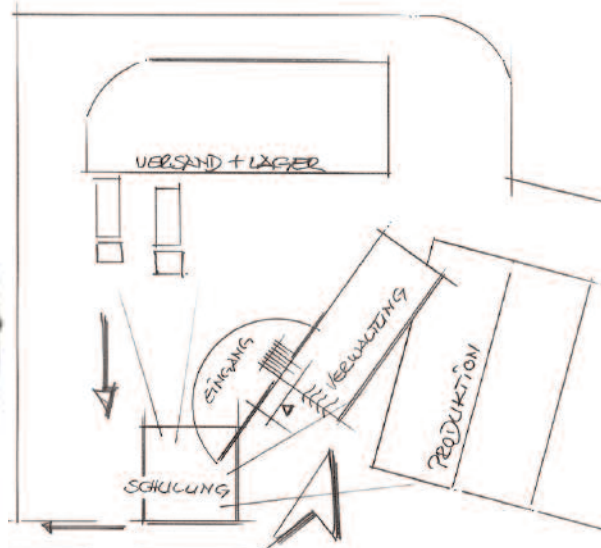
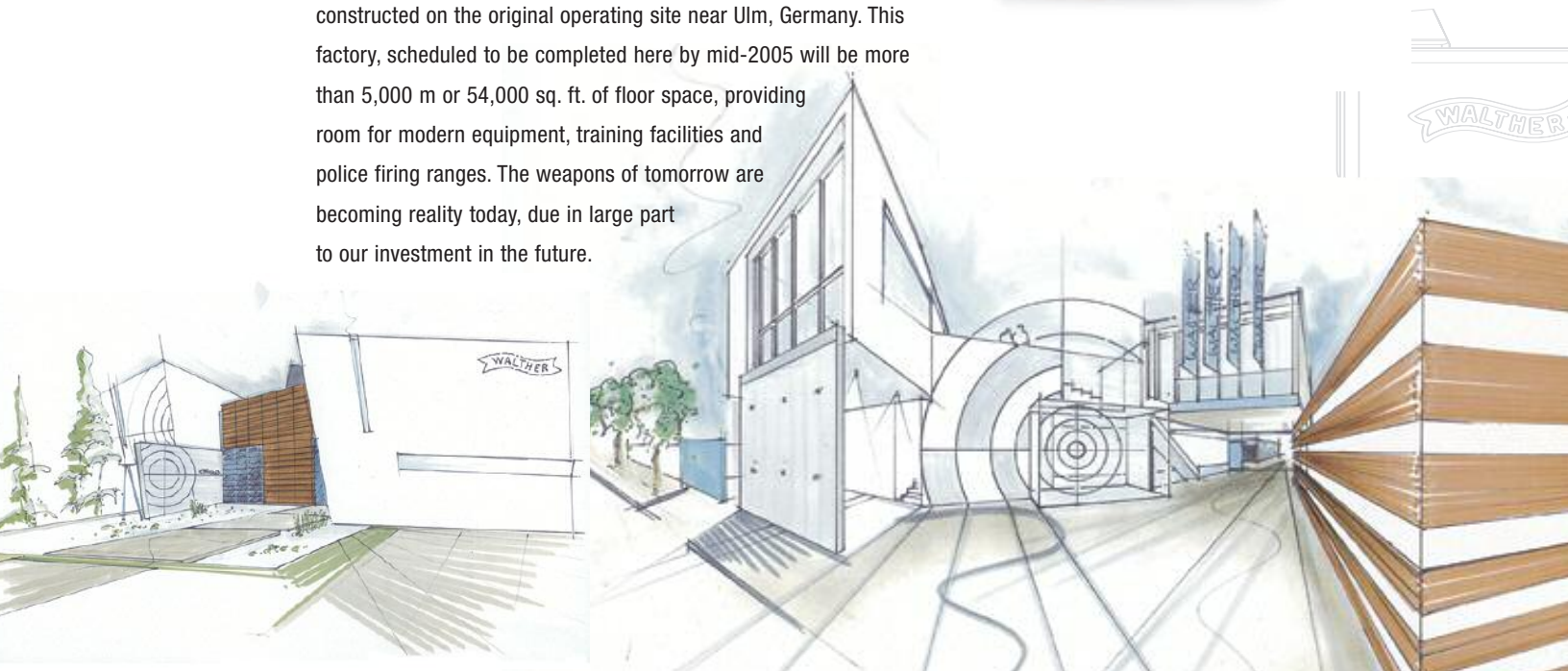
For over a century, CARL WALTHER has set new standards in the design and manufacture of law enforcement firearms. Working closely with German police firearms experts, the company's products have been produced to the most stringent standards. Safety and quality are the true tests of a police firearm. CARL WALTHER uses the experience we have gained in the law enforcement market to develop products for the police and competition markets. WALTHER sporting weapons have been the competitor's choice in international competition ever since they first appeared in the Olympic Games.

In 1993, a new chapter in the rich WALTHER history was written as WALTHER merged with the UMAREX Corporate Group. This merger was the cornerstone for the worldwide success of the WALTHER brand, and the continued growth of the WALTHER name.

One sign of this growth is the new manufacturing facility being constructed on the original operating site near Ulm, Germany. This factory, scheduled to be completed here by mid-2005 will be more than 5,000 m or 54,000 sq. ft. of floor space, providing room for modern equipment, training facilities and police firing ranges. The weapons of tomorrow are becoming reality today, due in large part to our investment in the future.

The UMAREX Group of Companies

- UMAREX Sportwaffen GmbH & Co. KG
- Carl WALTHER GmbH Sportwaffen
- FÜRSTENBERG GmbH
- UMAREX Österreich Ges.m.b.H. & Co. KG
- PW ARMS Dortmund GmbH & Co. KG
- UMAREX Moskau Gu AG
- PW ARMS Wien GmbH & Co. KG



WALTHER has forged strategic alliances with several strong partners in an effort to achieve greater success in the international law enforcement market. WALTHER police pistols must meet the highest standards of quality with unsurpassed fit, finish, reliability and durability. Law enforcement professionals have provided assistance in developing our product specifications in order to meet the needs of today's police officer.

STRATEGIC |  **Smith & Wesson**
 | **ALLIANCE**

WALTHER has partnered with another recognizable firearm brand, Smith & Wesson to manufacture the Smith & Wesson SW99 line of pistols. Based on the proven WALTHER P99 platform, WALTHER and Smith & Wesson have been co-producing the SW99 for four years. Smith & Wesson is also under license to manufacture the legendary WALTHER PPK and PPK/S pistols. An alliance has also been formed with the "Fabryka Broni", another partner with a long manufacturing tradition. There the WALTHER P99 is also manufactured as a custom-made co-produced pistol to serve the Polish law enforcement market.

CARL WALTHER continues its long tradition of technical expertise in the design and production of firearms, and the worldwide recognition of the WALTHER brand name.



Index

P99	04
P99 QA	06
P99 Compact	08
PPK + PPK/S	10
P22	12
P22 accessories	14
Safety Glasses	15
Binoculars	15
G22	16
G22 accessories	18
G22 sets	20
Apparel/Accessories	22
P99 Accessories	22
Knives	23
Flashlights	23
P99 Collector's series	24



P99

Tradition of Innovation

The highly successful P99 Series was developed in conjunction with technical experts from a number of law enforcement agencies.

The result is a state of the art product line, designed for use in modern police tactics. The P99 series offers the law enforcement professional a number of special features to meet the agencies needs. The line includes both full size and compact models for both uniform and undercover use.

Compact versions

All the trigger mechanisms are also available in the P99 C compact versions. The compact has all of the same features and options as the full size pistol. One fire control system can outfit the entire department reducing training expenses for the law enforcement department.

Use

Both left-handed and right-handed shooters will appreciate the ambidextrous controls of the P99. The slide stop, magazine release and decocking button can be operated easily by all shooters, without the need to reposition the pistol in your hand.

Quality

A special Tenifer finish is applied to all external part surfaces to provide an extremely hard and durable surface, resistant to wear and abuse.

Maximum safety

Each P99 is inspected and tested to insure it meets the rigid standards set by the German police. The legendary WALTHER quality guarantees the user safe and reliable operation each and every time.



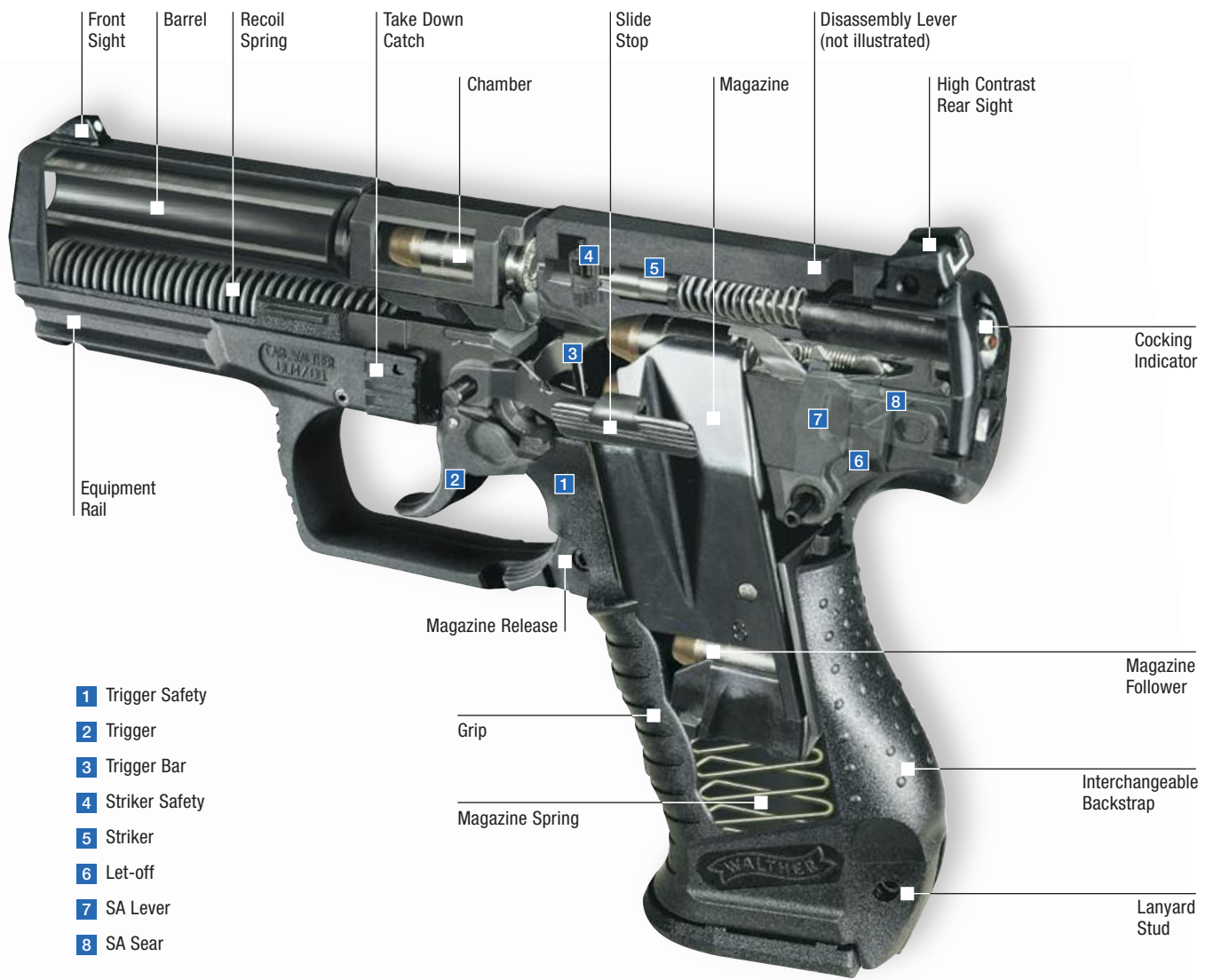
Internal firing pin lock with many advantages

- No external hammer to snag on clothing or other object while drawing from a holster.
- No external parts to be damaged in the event of accidental dropping.
- Fewer parts for reduced weight and size.
- Modular design for easier maintenance.
- Quick trigger reset for faster shooting speed.
- Easy field-stripping without the need for external tools.
- No external safeties necessary for quicker drawing.



Technology and equipment

- 01 Loaded chamber indicator**
Unloaded: The extractor is flush with the slide (can be seen and felt).
Loaded: The red marker is visible; the extractor is recessed in the slide (can be seen and felt).
- 02 Cocking indicator**
Decocked: The firing pin is recessed into the slide end cap (can be seen and felt).
Cocked: The firing pin projects from the slide end cap (can be felt) and shows a red mark (visible).
- 03 Interchangeable backstrap**
Manufactured from a recoil-damping compound and available in three sizes for a customized fit and feel.
- 04 Ambidextrous magazine release**
Integrated into the side of the trigger guard for an unique look.
- 05 Weaver equipment rail**
A new feature for the quick attachment of lights and lasers.
- 06 Improved slide serrations**
For a positive grip on the slide and improved slide racking.



- 1 Trigger Safety
- 2 Trigger
- 3 Trigger Bar
- 4 Striker Safety
- 5 Striker
- 6 Let-off
- 7 SA Lever
- 8 SA Sear



01



02



03



04



05



06

P99 QA

Quick Action

Trigger mechanism: Pre-cocked striker system

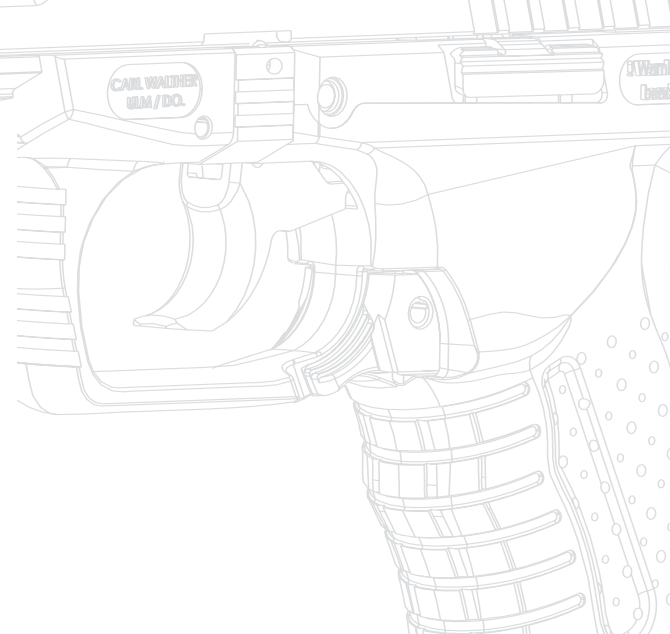


The P99 Quick Action, with its uniform short trigger pull is the pistol of choice for both-law enforcement tactical teams and competitive shooters.

The P99 QA is easy to use with its repetitive trigger pull and with its four independent safeties; the P99 QA is one of the safest pistols available today.

Lightning-fast firing

The Quick Action trigger system: The striker is partially pre-cocked and when the trigger is pulled, the striker is fully cocked and released, firing the pistol. The trigger travel is approximately .31 inches with a trigger force of approximately 8 lbs. This short pull with its quick reset provides quick shot delivery especially in competitive situations.



Technical data P99 QA

Caliber	9 mm x 19	.40 S&W
Barrel Length inch (mm)	4	4.17
Dimensions inch, L/H/W	7.1/5.3/1.3	7.2/5.3/1.3
Weight, without magazine	21.3 oz.	23.1 oz.
Sights	3-dot adjustable	3-dot adjustable
Magazine Capacity	15	12
Trigger	QA	QA
Trigger Weight lbs.	8	8

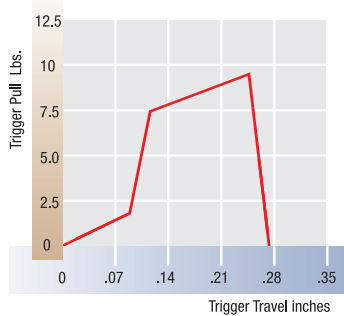


WALTHER AROUND THE WORLD

*WALTHER firearms are in service in Canada as well. The **Montreal Police** have adopted the **P99 Quick Action**.*



Elongated Ambidextrous Slide Stop
Optional with the P99 QA model.



Disassembly

The P99 QA is the only hammerless pistol with a partially pre-cocked striker capable of being disassembled without the need to pull the trigger. Simply remove the magazine, clear the chamber, press the takedown button, pull down the takedown catch and remove the slide



P99 QA

WAP77013	cal. 9 mm
WAP78013	cal. .40 S&W

Standard design with plastic rear sight, single-sided slide stop lever



P99 QA Desert Sand

WAP78053	cal. .40 S&W
----------	--------------

The Desert Sand frame gives this P99 QA a very distinctive look for 2005.



P99 QA Military

WAP77014	cal. 9 mm
WAP78014	cal. .40 S&W

Military green finish for a unique two-tone look.



P99 COMPACT

The compact pistols for concealed carry

Today's trend is toward pistols that are compact in design and light in weight, yet have all of the features that the law enforcement professional is seeking.

System identical with the full size models

The P99 compact has the same highly advanced design features of the full size P99, but in a size that is designed for concealed carry. Just like the full size version, the compact P99 is available with same trigger variations including the QA, AS and DAO. The frame backstraps are interchangeable so that the pistol will fit in a wide variety of hand sizes. The pistol will not snag in clothing when it is drawn, thanks to rounded edges. The hammerless striker system and safety devices integral to the P99 are also available in the P99 compact.

All the compact versions are delivered, as standard equipment, with a flat-bottom magazine butt plate and a finger rest magazine butt plate. The frame is molded with a Weaver-style rail to accept lights and lasers.

The new P99 compact is the ideal compliment to the P99 full size line of pistols. Perfect for concealed carry or as a backup weapon for law enforcement.



Technical data

Model	P99 C QA
Caliber	9 mm x 19
Barrel Length inch (mm)	3.5
Dimensions mm L / H / W	6.6/4.3/1.3
Weight, without magazine	18.7 oz.
Sights	3-dot adjustable
Magazine Capacity	10
Trigger	QA
Trigger Weight lbs.	8.8/4.4



Size comparison
between
full size and
compact version



P99 Compact QA

WAP80000	cal. 9 mm
WAP90000	cal. .40 S&W

The 3,800 gram trigger weight and 8 mm trigger travel and short trigger reset, ensure the user of rapid firing rates and spectacular accuracy even from a short barrel pistol.



PPK&PPK/S

Often imitated but never duplicated: The elegant lines of the legendary WALTHER PPK have caught the imagination of the entire world for nearly 75 years. Developed in 1931, the WALTHER PPK continues to thrill the shooting public, and the legend lives on. The PPK/S, with a longer frame for one additional cartridge, and the PPK are now both produced in the USA, under license.

PPK and PPK/S features

- Firing pin safety.
- Manual safety with decocking function.
- Double Action and Single Action trigger.
- Extended beaver tail.



Technical data

Model	PPK	PPK	PPK/S	PPK/S
Caliber	.32 ACP	.380 ACP	.32 ACP	.380 ACP
Barrel Length inch (mm)	3.3	3.3	3.3	3.3
Dimensions mm, L/H/W	6.1/4.3/.98	6.1/4.3/.98	6.1/4.3/.98	6.1/4.3/.98
Weight, without magazine	20.8 oz.	20.8 oz.	22.4 oz.	22.4 oz.
Sights	Fixed	Fixed	Fixed	Fixed
Magazine Capacity	7	6	8	7
Trigger	DA/SA	DA/SA	DA/SA	DA/SA
Trigger Weight lbs.	13/4	13/4	13/4	13/4



PPK stainless

VAH32002 .32 ACP

VAH38002 .380 ACP



PPK blue

VAH38006 .380 ACP



01 PPK Paddle Holster
WM00PPH

02 PPK Belt Holster
WM00PPBH

01



02



PPK/S stainless

VAH32001 .32 ACP

VAH38001 .380 ACP



PPK/S two-tone

VAH38007 .380 ACP



P22

Action & Fun

Whether you are looking for a pistol for affordable training or simply the excitement of shooting, the P22 is the pistol for you. The WALTHER P22 is fascinating in its compact size, while still maintaining all of the features of a full-size pistol. Constructed using a modular manufacturing concept, the P22 offers several different equipment configurations. The barrel can be changed out or a red dot sight can be mounted – almost instantly.

Features of the P22

- Interchangeable frame back straps create an ideal fit to the shooter's hand.
- Compact design and light-weight are achieved by a modern polymer frame (just 480 g, including the magazine).
- Traditional double-action operation.
- Ambidextrous controls for both left and right hand shooters.
- Integrated trigger lock, loaded chamber indicator.
- Magazine disconnect, hammer safety and firing pin safety for safe and reliable operation.
- Modern, eye catching high tech design.
- A fixed barrel for incredible accuracy.
- Windage adjustable rear sight and elevation adjustment with interchangeable front sights for variations in shooter operation.
- Interchangeable barrel (sold separately) can convert the P22 from the standard configuration to the target version in minutes.

Technical Data

Model	P22	P22 Target
Caliber	.22 LR	.22 LR
Barrel Length inch (mm)	3.4	5
Dimensions inch, L/H/W	6.3/4.5/1.1	7.8/4.5/1.1
Weight, without magazine	15.1 oz.	18.7 oz.
Sights	3-dot adjustable	3-dot adjustable
Magazine Capacity	10	10
Trigger	DA/SA	DA/SA
Trigger Weight lbs.	11/4.4	11/4.4



P22

WAP22003 10 shots cal. .22 LR
3.4" barrel



P22 Nickel

WAP22004 10 shots cal. .22 LR
3.4" barrel



P22 Military

WAP22007 10 shots cal. .22 LR
3.4" barrel



P22 Target

WAP22005 10 shots cal. .22 LR

The P22 Target uses the same technology as the P22 Standard, however the barrel length is now 127 mm / 5" (therefore extending the line of sight by 40 mm). The longer sight radius provides for more concentrated aiming during target shooting, ergo resulting in better scores. The P22 Target is also equipped with a barrel weight / non-functional compensator.



P22 Target Nickel

WAP22006 10 shots cal. .22 LR

The unique silver-gray titanium coating provides resistance to abuse and corrosion. This P22 also comes with a barrel weight/non-functional compensator.



P22 Target Military

WAP22008 10 shots cal. .22 LR

Military green finish for a distinctive two-tone look. This P22 Target is equipped with a barrel weight / non functional compensator.



P22 Paddle Holster
WM00P22PH



Loaded chamber indicator
The notch on the top of the barrel shows whether a cartridge is in the chamber.



Magazine release
Molded to the same contour as the trigger guard, prevents the magazine from being unintentionally released from the weapon. The ambidextrous magazine release can be operated equally well by either right or left-handed shooters.



Back strap and magazine butt plates
Two interchangeable grip back straps, and two different magazine butt plates, allow for customizing based on the shooter's hand size.



Integrated lock with key
A specially designed key locks the trigger in the P22 and thus prevents use by unauthorized persons.



P22

Perfectly matched accessories

WALTHER offers an extensive line of accessories for the P22, allowing the user to equip the P22 to suit the individual needs. The same high quality that goes into the production of each P22 also goes into each P22 accessory.



Conversion unit Target

265 93 01 cal. .22 l.r.

The P22 Standard with its short barrel can be converted to a Target version with a 127 mm match barrel and barrel weight. This change can be performed in seconds

Conversion unit Standard

265 92 98 (not illustrated) cal. .22 l.r.

Makes the conversion from the Target into the Standard version possible



Red-dot sight TOP POINT II

267 61 50 red-dot sight

The intensity of the dot can be regulated in 12 settings. Includes Weaver-style scope rings and dust caps



Bridge mount with Weaver-style rail

265 93 28

Fits the WALTHER Top Point II red-dot sight. Can be easily attached to the Weaver-style rail on the P22 frame

WALTHER laser for the P22

269 28 30

The laser was developed especially for the P22 and is designed to be a perfect fit. The quick-release catch allows the laser to be mounted or removed instantly without the need for additional tools. LEDs on either side of the laser, illuminate indicating that the laser is on



Technical data laser

Laser class	USA: IIIa/ Europe: IIIb
Wavelength nm	630
Range m	50
Batteries	Two coin cells 1,5 V Type SR44
Weight g	35
Dimensions mm	48 x 27 x 39
Standard equipment incl. batteries and adjustment wrench	



P22 Set II

SETS

P22 Set I with red-dot

WAP22009 10 shots cal. .22 l.r.

P22 Set II with laser

WAP22010 10 shots cal. .22 l.r.

P22 with 3.4" barrel and factory installed WALTHER quick-release laser, targeted for 15 m

All the sets are mounted and calibrated at the factory.



P22 Set I

01



- 01 **KASHMIR® SHOOTING GLASSES**
WG01013 - Clear
- WG01014 - Yellow
- WG01015 - Amber
- WG01016 - Smoke

02



- 02 **P99 SHOOTING GLASSES**
WG01019 - Yellow
- WG01020 - Amber
- WG01021 - Smoke

04



03



- 03 **HIGH MASTER® SHOOTING GLASSES**
WG01022 - Clear
- WG01023 - Yellow
- WG01024 - Amber
- WG01025 - Smoke

05



06



- 05 **P99 BINOCULARS**
BaK-4 Prisms * Fully Multi-Coated
- WB01032 - 7x50mm
- WB01033 - 10x50mm

- 06 **GENTLEMEN™ BINOCULARS**
BaK-4 Prisms * Fully Multi-Coated
- WB01029 - 8x22mm
- WB01030 - 10x26mm

07



08



- 07 **PPK BINOCULARS**
BaK-4 Prisms * Fully Multi-Coated
- WB01031 - 8x22mm

- 08 **SPECIAL FORCES™ WATERPROOF BINOCULARS**
BaK-4 Prisms * Fully Multi-Coated
- WB01028 - 10x26mm

G 22

Semi Auto Rifle

WALTHER continues its long-standing tradition of manufacturing small-bore rifles that have won numerous gold medals in the Olympic games and at World Championship matches with the introduction of the new WALTHER G22.

The WALTHER G22 employs an innovative "Bullpup" design for the first time on any WALTHER rifle. The G22 with its full line of accessories is a utilitarian rifle for hunting, competitive shooting, or just plinking.

G22 details

- Fire control and magazine integrated into the rear of the stock.
- This gives an extremely short overall length of 720 mm in spite of the optimal 508 mm barrel length.
- The first small-bore rifle in this class available in a genuine left-hand version.
- Variable-length stock for a custom fit to the shooter. A 20 mm extension is included.
- Adjustable sliding sights.
- Weaver-style universal rail at the sight mount to accept optics.
- Weaver-style universal rail at the front sight mount to accept the WALTHER laser.
- Weaver-style universal rail at the forearm for a bipod or other accessories.
- **WALTHER Safety Package** provides a maximum degree of safety during use and when in storage. It consists of a slide safety, cocking indicator, magazine safety and integral lock to protect against unauthorized use.



Slide safety

The ambidextrous safety is in a convenient location for use and easy accessibility. Two tabs are clearly visible, even when the weapon is raised, indicating whether the safety is engaged.



Integrated lock

The internal lock is located next to the slide safety and can be used to lock the rifle. The key is identical to the key for the P22 pistol.



Cocking indicator

The red indicator in the fire control housing indicates whether the rifle is cocked.

Magazine disconnect (not illustrated)

Prevents firing with the magazine removed.

Magazine release

Integrated into the stock; permits rapid magazine exchanges. An additional magazine is located in the stock.

Multi-functional

Weaver-style rails, mounted on the forearm and front sight mount in the standard configuration permit the attachment of lights, lasers, a bipod or other accessories. The non-slip, soft touch pads aid in properly positioning the rifle.

Sliding rear sight

Located in the carrying grip for protection, the sliding rear sight is activated only as required.

Weaver-style rail

For mounting of various aiming devices.

G22



G22

WAR22000 With right-hand controls, black

WAR22002 With left-hand controls, black

Technical data G22

Caliber	.22 LR
Barrel Length inch (mm)	20
Dimensions mm, L/H/W	28.4-29.5/8.7/2.2
Weight, without magazine	95.0 oz.
Sights	adjustable
Magazine Capacity	10
Trigger	SA

G22 Military

WAR22003 With right-hand controls, green

WAR22004 With left-hand controls, green



Laser for the G22

Developed by WALTHER especially for the G22, the high-power laser diode is designed to function as an integral part of the rifle.

The LEDs on either side of the laser unit indicate the operating status.

The laser is securely mounted on the Weaver-style rail, below the front sight mount with the help of two horizontal studs – for maximum accuracy and durability.



Laser for the G22

269 27 41

Technical data laser

Laser class	USA: IIIa / Europe: IIIb
Wavelength nm	630
Range m	50
Battery type	Two coin cells 1,5 V type SR44
Weight	2.67 oz.
Standard equipment incl. batteries and adjustment wrench	



ACCESSORIES

The WALTHER G22 accessories are designed to provide the hunter or recreational shooter with a G22 to suit their individual shooting requirements. All of the G22 accessories are produced to the same high standards as the WALTHER G22 and are designed to perform together.

01



01 WALTHER rifle scope 3-9x40 RA

With mil-dot reticle, rings for Weaver-style rail included

269 27 32 Rubber sheathed

02 WALTHER G22 point sight PS22

A red-dot sight system provides fast and accurate target acquisition, at short to medium distances. Includes a quick-release monopod for Weaver-style rail

269 35 00

03 Red-dot sight, TOP POINT II

Red-dot is adjustable for 12 intensity levels, rings for Weaver-style rail and dust caps included

267 61 50

04 G22 rifle sling

269 27 75

05 G22 rifle case

Soft side rifle case with both interior and exterior compartments for G22 accessories

269 27 59 (without accessories)



02

03



04

05





G22 SETS

WALTHER has packaged some of the most popular accessories with the G22 to provide added value. Packages range from factory mounted lasers to optics. All of the packages are tested in our factory to provide the highest quality.



**G22 black A1 package
with WALTHER rifle scope**

WAR22005

Factory mounted WALTHER rifle scope, 3-9x40 RA (rubber armored), mil-dot reticle, targeted at 50 m



G22 black A2 package with laser

WAR22006

Factory mounted G22 laser, targeted at 50 m



**G22 black A3 package
with WALTHER rifle scope and laser**

WAR22007

Factory mounted WALTHER rifle scope, 3-9x40 RA, mil-dot reticle, WALTHER G22 laser, targeted at 50 m



**G22 black A4 package
with WALTHER PS22 red-dot sight**

WAR22008

Factory mounted WALTHER G22 point sight PS22, targeted at 50 m





- 01 **P99 belt holster**
Made of polymer
WM0099BH

- 02 **P99 paddle holster**
Made of polymer
WM0099PH

- 03 **Metal Sights (Front and Rear)**
Fixed with windage adjustable rear, 3-dot White
267 79 03

- 04 **Tritium night sights**
Rear sight orange, front sight green, Fixed with windage adjustable rear, 3-dot Green
265 14 25

- 05 **LASER BLAST white light with laser**
6 volt (two DL 123A), class IIIa laser, 635nm. Weight: 209g. with battery, with quick attach mounting catch
269 30 71

- 06 **Survival Tool**
Overall Length: 17-1/2".
It's a shovel, a knife and a hammer.
WM01027

- 07 **Oxford Shirts**
Sizes: S, M, L, XL, XXL
WM00022 - White
WM00021 - Blue

- 08 **Mock Turtleneck Shirts**
Sizes: S, M, L, XL, XXL
WM00004 - Ash
WM00015 - Black

- 09 **Denim Shirt**
Sizes: S, M, L, XL
WM00008 - Denim

- 10 **Tee Shirt**
Sizes: L, XL, XXXL
WM00028 - Black

- 11 **Polo Shirts - Short Sleeve**
Sizes: S, M, L, XL, XXL
WM00001 - Grey
WM00002 - White
WM00003 - Black

- 12 **Sweatshirts**
Sizes: S, M, L, XL, XXL
WM00009 - Heather
WM00010 - Black

- 13 **Explorer Jacket**
Sizes: S, M, L, XL, XXL
WM00011 - Black

- 14 **Hats**
WM00005 - Tan/Black
WM00006 - White
WM00007 - Black

- 15 **Lighter**
WM00020

KNIVES

01 P99 TACTICAL KNIFE
5-1/2" Blade, 11" Overall
WAQ00020



02 SCRIMSHAW P99
1-5/8" Blade, 2-3/8" Closed
WM00025-P99



03 SCRIMSHAW PPK
1-5/8" Blade, 2-3/8" Closed
WM00026-PPK



04 SCRIMSHAW P38
1-5/8" Blade, 2-3/8" Closed
WM00027-P38

05 ALLIED FORCES - SILVER KRATON
4" Blade, 4-3/4" Closed
WM00038 - Razor Blade

06 ALLIED FORCES - BLACK KRATON
4" Blade, 4-3/4" Closed
WM01040 - Razor Blade
WM01041 - Semi-Serrated Blade

07 ALLIED FORCES - WOOD HANDLE KRATON
4" Blade, 4-3/4" Closed
WM01042 - Razor Blade
WM01043 - Semi-Serrated Blade

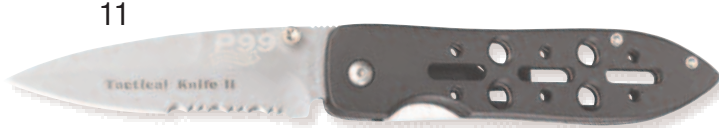


08 HAMMERHEAD™
4" Blade, 8-1/4" Overall
WM01007 - Silver Blade
WM01035 - Black Blade



12 TIGER EYE™
3" Blade, 4-1/4" Closed
WM01036 - Black Razor
WM01037 - Black Semi-Serrated
WM01010 - Champagne Razor
WM01011 - Champagne Semi-Serrated

09 SOLACE™
3-1/2" Blade, 8-1/4" Overall
WM00024



10 BELIZE™
2-9/16" Blade, 3-5/16" Closed
WM01012 - Wolves



11 P99 TACTICAL II
3-1/2" Blade, 4-1/16" Closed
WM00019

13 P99 SILHOUETTE FOLDER
2-13/16" Blade, 4-1/16" Closed
WM00018



LIGHTS



05

05 WALTHER high-power halogen white light set
Includes case, in-line cable switch, shoulder holster, batteries, filter cap and spare bulb
37104 titanium

06

06 WALTHER xenon tactical white light
37000 black
37001 titanium

Mount for xenon tactical and other 1" white lights
21663 (not illustrated)





P99 Grade I
Arabesques



P99 Grade II
Goldline



P99 Grade III
Arabesques with gold

Collector's Series

WALTHER engraved pistols are a true work of art, coveted by collectors worldwide. Owning one of these legendary P99 models with distinctive hand engraving performed by one of our master engravers is sure to be the pride of any firearms collector.



TRADITION OF INNOVATION

**Distributed Exclusively in the United States by
Smith & Wesson®**

2100 Roosevelt Avenue
Springfield, MA 01104
1-800-372-6454
www.waltheramerica.com

W O O N

