

# ROCK RIVER ARMS, INC.

MADE IN U.S.A.



PRODUCT

CATALOG

**JUNE  
2004**

CUSTOM RIFLES, PISTOLS,  
PARTS AND ACCESSORIES

# ROCK RIVER ARMS

## Table of Contents

RRA Custom 1911 Pistols, Parts & Customizing Services	Pages 3 / 6
RRA Custom Carbines & Rifles	Pages 7 / 12
Complete Upper Halves	Pages 13 / 18
National Match Parts	Page 19
9mm - Complete Upper Halves & Parts	Pages 20 / 21
Barrels & Barrel Assembly Parts	Pages 22 / 23
Upper Receivers & Upper Receiver Parts	Pages 24 / 25
Lower Receivers & Lower Receiver Parts	Page 26
Buttstocks, Pistol Grips, Handguards	Pages 27 / 28
Mounts & Accessories	Page 29
Rock River Arms Rifle Features and Options Chart	Page 30 / 31

All prices, configurations and specifications subject to change without notice.

## The Assault Weapon Ban

The Federal Assault Weapon Ban (AWB) of 1994 created two tiers of semi-automatic rifles. Those assembled prior to the passage of the law are classified as pre-ban, and those assembled after the passage are classified as post-ban. All RRA rifles are post-ban, and have limits placed on their available configuration by the AWB. They may not be assembled with collapsing/telescoping stocks, bayonet lugs, flash hiders, or non-BATF approved muzzle brakes.

Pre-ban configured upper halves are sold as replacements for existing pre-ban rifles. They may not legally be installed on post-ban lower halves. Contact the manufacturer of any lower half to establish its pre- or post-ban status if any question exists.

Law enforcement and certain governmental agencies may purchase post-ban rifles with pre-ban features if they meet specific criteria established by the AWB. If you represent an agency qualified for such purchases, please contact Rock River Arms for additional information and pricing.

## RRA Warranty Information

Rock River Arms offers the following warranties on its products:

**Complete Rifles, Upper Halves, and Lower Halves** carry a Limited Lifetime Warranty against failure of factory parts and labor.

**Complete Custom Pistols** carry a One Year Limited Warranty against failure of factory parts or labor.

If you have any questions concerning the warranty on your RRA rifle, upper or lower half, or pistol, please call RRA for clarification.



### Rock River Arms LAR-15 Government Model

Available in LE and civilian models,  
call for additional info and pricing.

Visit our Online Showroom at [www.rockriverarms.com](http://www.rockriverarms.com) for  
New Product Information, Specials and Secure Online Ordering!

# RRA CUSTOM PISTOLS



**DCM  
Legal**

## RRA National Match Hardball

- Rock River Arms Forged NM frame, 30 LPI checkered front strap, beveled mag well
- Forged NM slide with rear serrations
- Milled in Bomar rear sight, with hidden rear leaf
- Lowered and flared ejection port
- RRA dovetail front sight with under cut, fully profiled to radius of slide
- Tuned and polished extractor and extended ejector
- Aluminum speed trigger with crisp 4 lb pull
- Flat or arched mainspring housing
- Checkered slide stop and polished feed ramp
- Throated NM KART barrel with NM bushing
- Super rosewood grips and lustrous blued finish, with one magazine
- Tuned for total reliability, guaranteed to shoot 3" groups or less at 50 yards with Federal Ball Ammo

### National Match Hardball

In .45 ACP ..... PS2000 **\$1,380**  
Accurized to shoot 2" groups  
at 50 yards, guaranteed. .... Add **\$150**



**RRA Slide  
Mount**

## RRA BullsEye Wadcutter

- Rock River Arms Forged NM frame, 30 LPI checkered front strap, beveled mag well
- Forged NM slide with double serrations
- Lowered and flared ejection port
- Beavertail grip safety with raised pad
- Rock River Arms Slide Scope Mount
- Flat checkered mainspring housing
- BullsEye hammer and match sear
- Tuned and polished extractor, extended ejector
- Aluminum speed trigger with crisp 3.5 lb pull
- Checkered slide stop, two-piece recoil guide rod
- Polished feed ramp, throated NM KART barrel with NM bushing
- Super rosewood grips and lustrous blued finish, with one magazine
- Tuned for total reliability, guaranteed to shoot 1 1/2" groups at 50 yards
- Also available in 6 Inch, add \$100

### BullsEye Wadcutter

In .45 ACP ..... PS2100 **\$1,470**  
Substitute Frame Mount ..... Add **\$75**  
Substitute Bomar Rib Mount. . . . Add **\$110**



**Also  
Available  
5" & 6"**

## RRA Elite Commando

- Rock River Arms Forged NM frame, 30 LPI checkered front strap
- Forged NM 4" slide with double serrations
- Lowered and flared ejection port
- Rock River Arms dovetail front sight with tritium inserts
- Throated NM KART barrel with NM bushing
- Match Commander hammer and match sear
- Aluminum speed trigger with crisp 3.5 lb pull
- Tuned and polished extractor, extended ejector
- Beavertail grip safety, flat checkered mainspring housing
- Tactical mag catch, tactical safety, standard recoil system
- With your choice of Heinie or Novak rear sight with tritium inserts
- Totally dehorned for carry
- Super rosewood grips and lustrous blued finish, with one magazine
- Tuned for total reliability, guaranteed to shoot 2 1/2" groups at 50 yards

### Elite Commando

4 Inch, 5 Inch or 6 Inch  
In .45 ACP ..... PS2200 **\$1,560**

# RRA CUSTOM PISTOLS



## RRA Basic Limited Match

- Rock River Arms Forged NM frame, 30 LPI checkered front strap, beveled mag well
- Forged NM slide with low mount Bomar hidden rear sight
- Lowered and flared ejection port
- Match Commander hammer and match sear
- Tuned and polished extractor, extended ejector
- Beavertail grip safety, flat checkered mainspring housing
- Aluminum speed trigger with crisp 3.5 lb pull
- KART NM barrel with NM bushing
- Checkered slide stop, ambidextrous safety
- Rock River Arms dovetail front sight, fully profiled to radius of slide
- 2 piece recoil guide rod, polished feed ramp, throated barrel
- Deluxe grips and lustrous blued finish, with one magazine
- Tuned for total reliability, guaranteed to shoot 2 1/2" groups at 50 yards

### Basic Limited Match

In .45 ACP ..... PS2300 **\$1,510**



## RRA Limited Match

- Rock River Arms Forged NM frame, high checkered 30 LPI front strap
- One piece mainspring housing, beveled mag well
- Forged NM slide with double serrations
- Low mount Bomar hidden leaf rear sight
- Lowered and flared ejection port, flattened and serrated top
- French borders on sides of slide
- Match Commander hammer and match sear
- Aluminum speed trigger with crisp 3.5 lb pull
- Throated NM KART barrel with NM bushing
- Rock River Arms dovetail front sight, fully profiled to radius of slide
- Beavertail grip safety with raised pad, extended mag release button
- Tuned and polished feed ramp, two piece recoil guide rod
- Deluxe grips, lustrous blued finish, with one magazine
- Tuned for total reliability, guaranteed to shoot 1 1/2" groups at 50 yards

### Limited Match

In .45 ACP ..... PS2400 **\$1,895**

## RRA Custom Pistol Options & Upgrades

**Most models available in .45 ACP, 38 Super, .40 S&W and 9mm  
4", 5" or 6" available on most models, call for pricing**

- Black "T" Finish. .... Add **\$160** - Additional shipping charges will apply
- Hard Chrome Finish ..... Add **\$160**
- Frame Mount for Bullseye Wadcutter ..... Add **\$75**
- Bomar Rib Mount for Bullseye Wadcutter ..... Add **\$110**
- Supported Ramp Cut. .... Add **\$150**
- .45 ACP accurized to shoot 1 1/2" groups at 50 yards, guaranteed . . . . Add **\$150**
- .45 ACP Hardball accurized to shoot 2" groups at 50 yards, guaranteed . Add **\$150**

Please call for Accurizing upgrade options on other calibers

**ALL ROCK RIVER ARMS PISTOLS COME WITH A TRIGGER LOCK**



# RRA 1911 PARTS

## RRA 1911 Style NM Frame

- Standard**, .255 radius cut for beaver tail safety..... PS1115 **\$250**
- With 20 LPI high-checked front strap..... PS1125 **\$325**
- With 30 LPI high-checked front strap..... PS1110 **\$325**
- Elite Commando Frame**..... add **\$20.00** to above priced frames

## RRA 1911 Style NM Slide



**.45 ACP, 38 Super, 9mm or .40 S&W**  
**For 10mm or .40 S&W add \$20 to prices below**

### 5" Slide with rear serrations or double serrations

- No sight cuts ..... PS1480 **\$225**
- With cut for Bomar Lo-mount, hidden rear leaf .. PS1475 **\$270**

**4" Slide with rear serrations or double serrations**, no sight cuts..... PS1467 **\$225**

**6" with rear serrations or double serrations**, no sight cuts ..... PS1492 **\$270**

Pre-Fit .45 ACP Frame to Slide ..... add **\$85**

Pre-Fit 38 Super or 40 S&W Frame to Slide, includes cut for supported ramp..... add **\$185**

## RRA Slide Scope Mount



Attaches to slide using same hole pattern as Bomar Rib. Available in 5" or 6".....

PS1427 **\$35.00**

## RRA 1911 Pistol Customizing & Refinishing Services

- |  |       |  |                             |
|--|-------|--|-----------------------------|
| Bomar BMCS sight milled for low mount, includes sight..  | \$140 | Checker front strap at 30 LPI.....                                   | \$160                       |
| Bomar BMCS sight milled for low mount, hidden rear leaf, includes sight.....                           | \$180 | Prep frame for high checkering.....                                  | \$40                        |
| Bomar low profile rib installed.....   | \$140 | Checker underneath trigger guard.....                                | \$50                        |
| Bomar low profile rib installed with tuner rib.....  | \$150 | Checker front of trigger guard.....                                  | \$50                        |
| Install dovetail front sight, includes sight.....  | \$30  | Hook style trigger guard.....  | \$200                       |
| Install Novak low mount rear sight.....  | \$80  | Serrate rear of slide.....   | \$30                        |
| Extractor tuned and polished, labor only.....  | \$15  | Serrate top of slide to match radius.....                            | \$80                        |
| Lower and flare ejection port.....   | \$40  | Install full length guide rod, stainless steel.....                  | \$45                        |
| Fit slide to frame.....  | \$85  | Tune pistol for total reliability.....                               | \$75                        |
| Fit slide to frame, alloy stainless steel - Colt.....  | \$90  | Install mag well on Para-Ordnance, includes milling and brazing..... | \$160                       |
| Fit 5" barrel and bushing, .45ACP, includes barrel, bushing, link and pin.....                         | \$190 | Checker Para-Ordnance front strap at 20 LPI.....                     | \$300                       |
| Fit fully supported chamber NM Barrel, .45ACP, 38 Super, 9x21, includes barrel, bushing, link, pin.... | \$280 | Checker Para-Ordnance front strap at 20 LPI.....                     | \$300                       |
| Install match trigger.....   | \$30  | Add cocking serration to front of slide.....                         | \$80                        |
| Action job.....  | \$70  | Stipple front strap.....   | \$125                       |
| Action job, series 80 style.....   | \$85  | Checker mainspring housing.....                                      | \$50                        |
| Action job with NM hammer and sear.....  | \$140 | Blue complete pistol.....  | \$100                       |
| Fit extended ambidextrous thumb safety, does not include refinishing.....                              | \$65  | Blue slide and small parts.....                                      | \$50                        |
| Bevel and polish mag well.....   | \$25  | Blue frame and small parts.....                                      | \$50                        |
| Install Smith and Alexander mag well to match bevel of frame, includes housing.....                    | \$110 | Parkerize complete pistol.....                                       | \$55                        |
| Install beaver tail grip safety.....   | \$75  | Parkerize slide and small parts.....                                 | \$35                        |
| Install extended mag release button.....   | \$20  | Parkerize frame and small parts.....                                 | \$35                        |
| Checker front strap at 20 LPI.....   | \$160 | Hard chrome complete pistol.....                                     | \$160                       |
|  |       | Hard chrome slide and small parts.....                               | \$80                        |
|  |       | Hard chrome frame and small parts.....                               | \$100                       |
|  |       | Body coat complete pistol.....                                       | \$175                       |
|  |       | Black "T" finish complete pistol.....                                | \$160 - Shipping Additional |

# RRA 1911 PISTOL PARTS

Part #	Description	Price	Part #	Description	Price
PS1001	KART .45ACP 5" barrel	\$125.00	PS1330	Mainspring housing, flat, serrated, blue	\$23.00
PS1030	NM barrel bushing, blue	\$15.00	PS1335	Mainspring housing, flat, 20 lpi, stainless	\$27.00
PS1035	NM barrel bushing, stainless	\$17.00	PS1340	Mainspring housing, flat, 30 lpi, stainless	\$27.00
PS1040	Barrel link	\$5.75	PS1350	Mainspring housing, arched, 20 lpi, blue	\$35.00
PS1045	Barrel link pin	\$2.00	PS1355	Mainspring retainer	\$2.00
PS1050	Disconnector	\$16.00	PS1360	Mainspring retainer pin, blue	\$2.00
PS1055	Ejector pin	\$1.00	PS1365	Mainspring retainer pin, stainless	\$2.50
PS1060	Ejector, 9mm	\$20.00	PS1370	Plunger spring	\$1.50
PS1065	Ejector, .45	\$20.00	PS1375	Plunger tube, blue	\$10.00
PS1070	Extractor, .45	\$22.00	PS1376	Plunger tube, stainless	\$14.00
PS1071	Extractor, 9mm	\$22.00	PS1385	Rear sight, Heinie Slant Pro	\$51.00
PS1075	Firing pin, .45	\$8.00	PS1385T	Rear sight, Heinie Slant Pro with tritium	\$117.00
PS1076	Firing pin, 9mm	\$8.00	PS1390	Rear sight, Rock River	\$60.00
PS1080	Firing pin spring	\$3.00	PS1395	Rear sight, MMC with tritium	\$102.00
PS1085	Firing pin stop, .45	\$9.00	PS1400	Rear sight, Novak with tritium	\$90.00
PS1086	Firing pin stop, 9mm	\$9.00	PS1404	Rear sight, Novak	\$33.00
PS1150	Front sight, dovetailed and profiled	\$12.00	PS1405	Rear sight, Aristocrat	\$130.00
PS1160	Super rosewood grips, standard	\$24.00	PS1406	Rear sight, Adjustable Novak	\$70.00
PS1161	Super rosewood grips, mag well	\$24.00	PS1407	Rear sight, Adjustable Novak with tritium	\$100.00
PS1162	Super rosewood grips, mag well and ambi	\$26.00	PS1410A	7 lb standard recoil spring	\$7.00
PS1171	Grip screw, set of 4, blue	\$5.00	PS1410B	9 lb standard recoil spring	\$7.00
PS1172	Grip screw, set of 4, stainless	\$6.00	PS1410C	11 lb standard recoil spring	\$7.00
PS1181	Grip screw bushing, set of 4	\$5.00	PS1410D	13 lb standard recoil spring	\$7.00
PS1185	Grip safety, standard tang	\$15.00	PS1410E	16 lb standard recoil spring	\$7.00
PS1190	Grip safety, S&A, blue	\$35.00	PS1410F	18 lb standard recoil spring	\$7.00
PS1190S	Grip safety, S&A, stainless	\$35.00	PS1410G	20 lb standard recoil spring	\$7.00
PS1200	Grip safety, Ed Brown, blue	\$35.00	PS1410H	16 lb Commander recoil spring	\$7.00
PS1200S	Grip safety, Ed Brown, stainless	\$35.00	PS1410I	18 lb Commander recoil spring	\$7.00
PS1215	Hammer pin, blue	\$1.50	PS1410J	20 lb Commander recoil spring	\$7.00
PS1220	Hammer pin, stainless	\$1.75	PS1414	2 piece recoil guide rod, 4.5" with plug	\$20.00
PS1225	Hammer strut	\$10.00	PS1415	2 piece recoil guide rod, 5" with plug	\$20.00
PS1230	Hammer strut pin	\$.75	PS1416	2 piece recoil guide rod, 6" with plug	\$26.00
PS1237	Ed Brown Maxi-well, blue, 30 lpi	\$74.00	PS1419	6" recoil plug	\$14.00
PS1237S	Ed Brown Maxi-well, stainless, 30 lpi	\$76.00	PS1425	EGW reverse recoil plug	\$16.00
PS1240	S&A mag guide, flat, checkered, blue	\$82.00	PS1420	Recoil guide plug, standard	\$8.00
PS1241	S&A mag guide, flat, checkered, stainless	\$82.00	PS1445	Sear	\$20.00
PS1245	S&A mag guide, arched, checkered, blue	\$82.00	PS1450	Sear pin, blue	\$1.50
PS1246	S&A mag guide, arched, checkered, stainless	\$82.00	PS1455	Sear pin, stainless	\$2.50
PS1250	1911 7 round .45 ACP mag (metal form)	\$18.00	PS1460	Sear spring	\$5.00
PS1260	Mag catch, standard, blue	\$16.00	PS1495	Slide stop, blue	\$18.00
PS1265	Mag catch, ext., tactical, blue	\$20.00	PS1500	Slide stop, stainless	\$20.00
PS1270	Mag catch, standard, stainless	\$16.00	PS1505	Slide stop plunger	\$1.50
PS1275	Mag catch, extended tactical, stainless	\$20.00	PS1510	Standard thumb safety	\$19.00
PS1297	Mag catch with stainless button	\$20.00	PS1526	Ed Brown wide ambi safety, blue	\$55.00
PS1280	Mag catch lock, blue	\$3.00	PS1527	Ed Brown wide ambi safety, stainless	\$58.00
PS1285	Mag catch lock, stainless	\$3.00	PS1528	Ed Brown wide safety, blue	\$30.00
PS1290	Mag catch spring	\$1.00	PS1529	Ed Brown tactical ambi safety, blue	\$55.00
PS1300	Mainspring, chrome silicon, 19 lb.	\$4.00	PS1530	Ed Brown tactical ambi safety, stainless	\$58.00
PS1305	Mainspring cap	\$2.00	PS1531	Ed Brown tactical safety, blue	\$30.00
PS1310	Mainspring cap pin, blue	\$2.00	PS1532	Ed Brown tactical safety, stainless	\$32.00
PS1310S	Mainspring cap pin, stainless	\$2.50	PS1533	Ed Brown wide safety, stainless	\$32.00
PS1315	Mainspring housing, arched, serrated, blue	\$30.00	PS1535	Thumb safety plunger	\$1.50
PS1320	Mainspring housing, flat, 20 lpi, blue	\$27.00	PS1540	Trigger, long	\$20.00
PS1325	Mainspring housing, flat, 30 lpi, blue	\$27.00	PS1545	Trigger, short	\$20.00

## Rock River Arms Slide Rackers



- Ambi . . . . . PS1508A **\$22.00**
- Right Hand, for left hand shooters . . . . . PS1508R **\$22.00**
- Left Hand, for right hand shooters . . . . . PS1508L **\$22.00**

## 1911 Brass Deflector



- Mounts to RRA Slide Scope Mount PS1575 **\$20.00**



**Spur Hammer & Sear**  
PS1210SET **\$65.00**



**Bullseye Hammer & Sear**  
PS1206SET **\$68.00**



**Commander Hammer & Sear**  
PS1205SET **\$68.00**



**Doug Koenig Low Mass Speed Hammer & Sear**  
PS1207SET **\$78.00**

## TASC Rifle

### LE Model

With LE Compensator / Bayonet Lug / 30 Round Magazine.

Sale restricted to LE and Governmental Agencies, and their dealers and distributors.

Lockable  
Windage &  
Elevation  
Rear Sight!

### Civilian Model

Shown with optional Mid-Length Handguard

With Hogue  
Rubber Grip!

Rifles  
shown with  
Standard  
Accessory  
Package.

### STANDARD CONFIGURATION

<b>CALIBER</b> .....	.223/5.56 NATO Chamber
<b>UPPER</b> .....	Forged A2, Lockable Windage & Elevation Rear Sight
<b>BARREL</b> .....	Wilson 16" Chrome Moly, 1:9 Twist
<b>TRIGGER</b> .....	National Match Two Stage
<b>SAFETY SELECTOR</b> .....	Star
<b>PISTOL GRIP</b> .....	Hogue Rubber
<b>HANDGUARD</b> .....	R-4
<b>BUTTSTOCK</b> .....	A2 Buttstock
<b>WEIGHT / LENGTH</b> .....	7.8 Pounds / 34.25 Inches
<b>ACCURACY</b> .....	1 MOA at 100 Yards
<b>INCLUDED</b> .....	One Magazine, Owners Manual, RRA Warranty

### TASC Rifle

LE Model .....	AR125LE	<b>\$750</b>
Civilian Model .....	AR1341	<b>\$750</b>

### Options

Substitute Green Furniture .....	<b>No Charge</b>
Substitute Mid-Length Handguard .....	<b>No Charge</b>
Substitute Entry Buttstock .....	<b>No Charge</b>
Substitute Tactical CAR Stock .....	<b>No Charge</b>
Substitute Free Float Aluminum Tube. Add	<b>\$50</b>
Substitute Stainless Steel Barrel. .... Add	<b>\$55</b>
Add Post-Ban Muzzle Brake .....	Add <b>\$35</b>

## Entry Tactical

### LE Model

With A2 Flash Hider / Bayonet Lug / 30 Round Magazine.

Sale restricted to LE and Governmental Agencies, and their dealers and distributors.

Includes  
Detachable  
Tactical Carry  
Handle!

### Civilian Model

With Press-on Mock Suppressor

Two Stage  
Trigger  
Standard!

Rifles  
shown with  
Standard  
Accessory  
Package.

### STANDARD CONFIGURATION

<b>CALIBER</b> .....	.223/5.56 NATO Chamber
<b>UPPER</b> .....	Forged A4, with Detachable Tactical Carry Handle
<b>BARREL</b> .....	Wilson R-4 16" Chrome Moly, 1:9 Twist
<b>TRIGGER</b> .....	National Match Two Stage
<b>SAFETY SELECTOR</b> .....	Star
<b>PISTOL GRIP</b> .....	Hogue Rubber
<b>HANDGUARD</b> .....	R-4
<b>BUTTSTOCK</b> .....	Entry Buttstock
<b>WEIGHT / LENGTH</b> .....	7.0 Pounds / 31 Inches
<b>ACCURACY</b> .....	1 MOA at 100 Yards
<b>INCLUDED</b> .....	One Magazine, Owners Manual, RRA Warranty

### Entry Tactical

LE Model .....	AR1250LE	<b>\$900</b>
Civilian Model .....	AR1450	<b>\$900</b>

### Options

Substitute Green Furniture .....	<b>No Charge</b>
Substitute A2 Buttstock .....	<b>No Charge</b>
Substitute Tactical CAR Stock .....	<b>No Charge</b>
Substitute Chrome-Lined Barrel. .... Add	<b>\$35</b>
Substitute Quad Rail CAR Handguard Add	<b>\$120</b>
Add Post-Ban Muzzle Brake .....	Add <b>\$35</b>

## Tactical CAR UTE

### LE Model

With 6-Position Collapsible Buttstock / LE Compensator Bayonet Lug / 30 Round Magazine. Sale restricted to LE and Governmental Agencies, and their dealers and distributors.



**Two Stage Trigger Standard!**

**With Hogue Rubber Grip!**

Rifles shown with Standard Accessory Package.

### Civilian Model

With Fixed Length Buttstock

### STANDARD CONFIGURATION

**CALIBER** ..... .223/5.56 NATO Chamber  
**UPPER** ..... One Piece Forged UTE - Universal Tactical Entry  
**BARREL** ..... Wilson 16" Chrome Moly, 1:9 Twist  
**TRIGGER** ..... National Match Two Stage  
**SAFETY SELECTOR** ..... Star  
**PISTOL GRIP** ..... Hogue Rubber  
**HANDGUARD** ..... R-4  
**BUTTSTOCK** ..... Tactical CAR with Pivoting Steel Swivel  
**WEIGHT / LENGTH** ..... 8.4 Pounds / 36 Inches  
**ACCURACY** ..... 1 MOA at 100 Yards  
**INCLUDED** ..... One Magazine, Owners Manual, RRA Warranty

### Tactical CAR UTE

LE Model ..... AR1205LE **\$875**  
 Civilian Model ..... AR1039 **\$875**

### Options

Substitute Green Furniture ..... **No Charge**  
 Substitute Entry Buttstock ..... **No Charge**  
 Substitute A2 Buttstock ..... **No Charge**  
 Substitute Quad Rail CAR Handguard Add **\$120**  
 Substitute Free Float Aluminum Tube. Add **\$50**  
 Substitute Stainless Steel Barrel ..... Add **\$55**  
 Add Post-Ban Muzzle Brake ..... Add **\$35**

## Tactical CAR A4

### LE Model

With 6-Position Collapsible Buttstock / LE Compensator Bayonet Lug / 30 Round Magazine. Sale restricted to LE and Governmental Agencies, and their dealers and distributors.



**With Hogue Rubber Grip!**

**Includes Detachable Tactical Carry Handle!**

Rifles shown with Standard Accessory Package.

### Civilian Model

With Fixed Length Buttstock

### STANDARD CONFIGURATION

**CALIBER** ..... .223/5.56 NATO Chamber  
**UPPER** ..... Forged A4, with Detachable Tactical Carry Handle  
**BARREL** ..... Wilson 16" Chrome Moly, 1:9 Twist  
**TRIGGER** ..... National Match Two Stage  
**SAFETY SELECTOR** ..... Star  
**PISTOL GRIP** ..... Hogue Rubber  
**HANDGUARD** ..... R-4  
**BUTTSTOCK** ..... Tactical CAR with Pivoting Steel Swivel  
**WEIGHT / LENGTH** ..... 8.4 Pounds / 36 Inches  
**ACCURACY** ..... 1 MOA at 100 Yards  
**INCLUDED** ..... One Magazine, Owners Manual, RRA Warranty

### Tactical CAR A4

LE Model ..... AR1200LE **\$900**  
 Civilian Model ..... AR1025 **\$900**

### Options

Substitute Green Furniture ..... **No Charge**  
 Substitute Entry Buttstock ..... **No Charge**  
 Substitute A2 Buttstock ..... **No Charge**  
 Substitute Quad Rail CAR Handguard Add **\$120**  
 Substitute Free Float Aluminum Tube. Add **\$50**  
 Substitute Stainless Steel Barrel ..... Add **\$55**  
 Add Post-Ban Muzzle Brake ..... Add **\$35**



### Elite CAR UTE

#### LE Model

With 6-Position Collapsible Buttstock / LE Compensator Bayonet Lug / 30 Round Magazine. Sale restricted to LE and Governmental Agencies, and their dealers and distributors.



With Hogue Rubber Grip!

#### Civilian Model

With Fixed Length Buttstock



Two Stage Trigger Standard!

Rifles shown with Standard Accessory Package.

#### STANDARD CONFIGURATION

<b>CALIBER</b> .....	.223/5.56 NATO Chamber
<b>UPPER</b> .....	One Piece Forged UTE - Universal Tactical Entry
<b>BARREL</b> .....	Wilson 16" Chrome Moly, 1:9 Twist
<b>TRIGGER</b> .....	National Match Two Stage
<b>SAFETY SELECTOR</b> .....	Star
<b>PISTOL GRIP</b> .....	Hogue Rubber
<b>HANDGUARD</b> .....	Mid-Length
<b>BUTTSTOCK</b> .....	Tactical CAR with Pivoting Steel Swivel
<b>WEIGHT / LENGTH</b> .....	8.4 Pounds / 36 Inches
<b>ACCURACY</b> .....	1 MOA at 100 Yards
<b>INCLUDED</b> .....	One Magazine, Owners Manual, RRA Warranty

#### Elite CAR UTE

LE Model .....	AR1229LE	<b>\$875</b>
Civilian Model .....	AR1090	<b>\$875</b>

#### Options

Substitute Green Furniture .....	<b>No Charge</b>
Substitute Entry Buttstock .....	<b>No Charge</b>
Substitute A2 Buttstock .....	<b>No Charge</b>
Substitute Stainless Steel Barrel .....	Add <b>\$55</b>
Add Post-Ban Muzzle Brake .....	Add <b>\$35</b>

### Elite CAR A4

#### LE Model

With 6-Position Collapsible Buttstock / LE Compensator Bayonet Lug / 30 Round Magazine. Sale restricted to LE and Governmental Agencies, and their dealers and distributors.



With Hogue Rubber Grip!

#### Civilian Model

With Fixed Length Buttstock



Includes Detachable Tactical Carry Handle!

Rifles shown with Standard Accessory Package.

#### STANDARD CONFIGURATION

<b>CALIBER</b> .....	.223/5.56 NATO Chamber
<b>UPPER</b> .....	Forged A4, with Detachable Tactical Carry Handle
<b>BARREL</b> .....	Wilson 16" Chrome Moly, 1:9 Twist
<b>TRIGGER</b> .....	National Match Two Stage
<b>SAFETY SELECTOR</b> .....	Star
<b>PISTOL GRIP</b> .....	Hogue Rubber
<b>HANDGUARD</b> .....	Mid-Length
<b>BUTTSTOCK</b> .....	Tactical CAR with Pivoting Steel Swivel
<b>WEIGHT / LENGTH</b> .....	8.4 Pounds / 36 Inches
<b>ACCURACY</b> .....	1 MOA at 100 Yards
<b>INCLUDED</b> .....	One Magazine, Owners Manual, RRA Warranty

#### Elite CAR A4

LE Model .....	AR1225LE	<b>\$900</b>
Civilian Model .....	AR1075	<b>\$900</b>

#### Options

Substitute Green Furniture .....	<b>No Charge</b>
Substitute Entry Buttstock .....	<b>No Charge</b>
Substitute A2 Buttstock .....	<b>No Charge</b>
Substitute Stainless Steel Barrel .....	Add <b>\$55</b>
Add Post-Ban Muzzle Brake .....	Add <b>\$35</b>

# RRA CUSTOM RIFLES

## CAR A2 / A4



### 16" CAR A2

Shown with standard A2 Buttstock and CAR Handguard, in optional Green

### 16" CAR A2

Shown with standard CAR Handguard and optional A4 Fixed Length Buttstock



Two Stage Trigger Standard!

### 16" CAR A2

Shown with standard A2 Buttstock and optional Mid-Length Handguard



### 16" CAR A4

Shown with standard A2 Buttstock and CAR Handguard, in optional Green



### 16" CAR A4

Shown with optional fixed length Tactical CAR Stock and Quad Rail Handguard



New! Optional Quad Rail Handguard!

### 16" CAR A4

Shown with standard A2 Buttstock and CAR Handguard



Rifles shown with Standard Accessory Package.

### STANDARD CONFIGURATION

<b>CALIBER</b> .....	.223/5.56 NATO Chamber
<b>UPPER</b> .....	Forged A2 or Forged A4
<b>BARREL</b> .....	Wilson 16" Chrome Moly, 1:9 Twist
<b>TRIGGER</b> .....	National Match Two Stage
<b>PISTOL GRIP</b> .....	Standard
<b>HANDGUARD</b> .....	CAR Length
<b>BUTTSTOCK</b> .....	A2 Buttstock
<b>WEIGHT / LENGTH</b> .....	7.8 Pounds / 34.25 Inches
<b>ACCURACY</b> .....	1 MOA at 100 Yards
<b>INCLUDED</b> .....	One Magazine, Owners Manual, RRA Warranty

### CAR A4 Carry Handle Options

Add Detachable Standard Carry Handle .....	Add \$125
Add Detachable Tactical Carry Handle .....	Add \$175

**CAR A2** ..... AR1300 **\$850**

**CAR A4** ..... AR1000 **\$825**

### Options

Substitute Green Furniture .....	No Charge
Substitute Mid-Length Handguard .....	No Charge
Substitute Entry Buttstock .....	No Charge
Substitute Tactical CAR Stock, Post-ban .....	Add \$25
Substitute Hogue Rubber Grip .....	Add \$20
Substitute Free Float Aluminum Tube .....	Add \$50
Substitute Quad Rail CAR Handguard .....	Add \$120
Substitute Stainless Steel Barrel .....	Add \$55
Substitute Weaver Type Gas Block .....	Add \$35
Add Post-Ban Muzzle Brake .....	Add \$35

# RRA CUSTOM RIFLES

## Standard A2 / A4

Rifles shown with Standard Accessory Package.

### 20" Standard A2

Two Stage Trigger Standard!

**Standard A2** ..... AR1400 **\$850**

**Standard A4** ..... AR1100 **\$825**

#### Options

Substitute Green Furniture ..... **No Charge**  
 Substitute Hogue Rubber Grip ..... Add **\$20**  
 Substitute Free Float Aluminum Tube ..... Add **\$50**  
 Substitute Quad Rail Handguard ..... Add **\$170**  
 Substitute Stainless Steel Barrel ..... Add **\$55**  
 Substitute Weaver Type Gas Block ..... Add **\$35**  
 Add Detachable Front Sight ..... Add **\$35**  
 Add Post-Ban Muzzle Brake ..... Add **\$35**

### 20" Standard A4

#### STANDARD CONFIGURATION

**CALIBER** ..... .223 Wylde Chamber  
**UPPER** ..... Forged A2 or Forged A4  
**BARREL** ..... Wilson 20" Chrome Moly HBAR, 1:9 Twist  
**TRIGGER** ..... National Match Two Stage  
**PISTOL GRIP** ..... Standard  
**BUTTSTOCK** ..... A2 Buttstock  
**WEIGHT / LENGTH** ..... 8.0 Pounds / 38.25 Inches  
**ACCURACY** ..... 1 MOA at 100 Yards  
**INCLUDED** ..... One Magazine, Owners Manual, RRA Warranty

#### A4 Carry Handle Options

Add Detachable Standard Carry Handle ..... Add **\$125**  
 Add Detachable Tactical Carry Handle ..... Add **\$175**

## National Match A2

*CMP Legal with Custom Fit Receiver*

Rifles shown with Standard Accessory Package.

#### STANDARD CONFIGURATION

**CALIBER** ..... .223 Wylde Chamber  
**UPPER** ..... Forged A2, selected for extra tight NM fit  
**BARREL** ..... Wilson Air-Gauged Match 20" Stainless, 1:8 Twist, with National Match Free Float Barrel Sleeve  
**TRIGGER** ..... National Match Two Stage  
**PISTOL GRIP** ..... Standard  
**BUTTSTOCK** ..... A2 Buttstock  
**HANDGUARD** ..... Free Float, High Temp Thermo Mold  
**SIGHTS** ..... Match 1/4 x 1/4 min, Hooded Aperture, .030  
**WEIGHT / LENGTH** ..... 10.0 Pounds / 38.25 Inches  
**ACCURACY** ..... 3/4 MOA at 100 Yards  
**INCLUDED** ..... Owners Manual, RRA Warranty

Wilson Air-Gauged Match Stainless Steel Barrel!

**NM A2** ..... AR1600 **\$1,250**

#### Options

Substitute Green Furniture ..... **No Charge**  
 Substitute 1/2 x 1/2 min Match Sight ..... **No Charge**  
 Substitute .040 Hooded Aperture ..... **No Charge**

*We offer special pricing for all Military, Junior and Civilian teams, please call for details!*

## What's a Wylde Chamber?

The .223 Wylde chamber was designed as a match chambering for semi-automatic rifles. It will accommodate both .223 Remington and 5.56mm NATO ammunition. It is relieved in the case body to aid in extraction and features a shorter throat for improved accuracy.

# RRA CUSTOM RIFLES

## Varmint

Available with optional **EOP - Elevated Optical Platform** Upper

Two Stage  
Trigger  
Standard!

3/4" taller mounting platform than the standard A4 upper receiver.  
Varmint rifles also available with standard A4 upper receiver.

### 16" Varmint

Shown with EOP Upper Receiver



With Hogue  
Rubber Grip!

### 18" Varmint

Shown with standard A4 Upper Receiver



### 20" Varmint

Shown with EOP Upper Receiver



### 24" Varmint

Shown with standard A4 Upper Receiver



Rifles shown with  
Standard Accessory Package.

#### STANDARD CONFIGURATION

CALIBER	.223 Wylde Chamber
UPPER	Forged A4 or Forged EOP/Elevated Optical Platform
BARREL	Wilson Air-Gauged Bull Stainless Steel, 1:8 Twist
BARREL DIAMETER	.920 in front of gas block, 1.050 under handguard
GAS BLOCK	Weaver Type Sight Base
TRIGGER	National Match Two Stage
PISTOL GRIP	Hogue Rubber
HANDGUARD	<b>NEW</b> Knurled & Fluted Free Float Aluminum
BUTTSTOCK	A2 Buttstock
WEIGHT / LENGTH	
	16" . . . . . 8.0 Pounds / 34.25 Inches
	18" . . . . . 9.0 Pounds / 36.25 Inches
	20" . . . . . 9.5 Pounds / 38.25 Inches
	24" . . . . . 10.0 Pounds / 42.25 Inches

ACCURACY . . . . . 3/4 MOA at 100 Yards  
INCLUDED . . . . . One Magazine, Owners Manual, RRA Warranty

#### Standard A4 Upper Carry Handle Options

Add Detachable Standard Carry Handle . . . . . Add \$125  
Add Detachable Tactical Carry Handle . . . . . Add \$175

#### 16" Varmint

With EOP Upper . . . . . AR1505 **\$1,000**  
With Standard A4 Upper . . . . . AR1500 **\$1,000**

#### 18" Varmint

With EOP Upper . . . . . AR1516 **\$1,000**  
With Standard A4 Upper . . . . . AR1515 **\$1,000**

#### 20" Varmint

With EOP Upper . . . . . AR1525 **\$1,000**  
With Standard A4 Upper . . . . . AR1520 **\$1,000**

#### 24" Varmint

With EOP Upper . . . . . AR1555 **\$1,000**  
With Standard A4 Upper . . . . . AR1550 **\$1,000**

#### Options

Substitute 1:12 Twist on 24" Model . . . **No Charge**  
Add Detachable Front Sight . . . . . Add \$35  
Substitute Hogue Overmolded Free Float Tube:  
16", 20" or 24" . . . . . Add \$45  
18" . . . . . Add \$90

# COMPLETE UPPER HALVES

All Upper Halves come complete with Bolt Carrier Group and Charging Handle Assembly

## Varmint Air-Gauged Stainless Steel

Available with the optional  
**EOP - Elevated Optical Platform**  
 Upper Receiver - 3/4" Taller than the A4



16" Varmint EOP Upper ..... AR0510 **\$545**



16" Varmint Standard A4 Upper..... AR0500 **\$525**



18" Varmint EOP Upper ..... AR0530 **\$545**



18" Varmint Standard A4 Upper..... AR0525 **\$525**



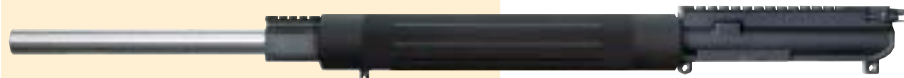
20" Varmint EOP Upper ..... AR0560 **\$545**



20" Varmint Standard A4 Upper..... AR0550 **\$525**



24" Varmint EOP Upper ..... AR0579 **\$545**



24" Varmint Standard A4 Upper..... AR0575 **\$525**

### STANDARD CONFIGURATION

**CALIBER** ..... .223 Wylde Chamber  
**UPPER** ..... Standard Forged A4  
**BARREL** ..... Wilson Air-Gauged Bull Stainless Steel, 1:8 Twist  
**BARREL DIAMETER** ..... .920 in front of gas block,  
 1.050 under handguard  
**GAS BLOCK** ..... Weaver Type Sight Base  
**HANDGUARD** ..... **NEW** Knurled & Fluted Free Float Aluminum

### Options

Substitute 1:12 Twist on 24" Model . . . **No Charge**  
 Add Detachable Front Sight . . . . . Add **\$35**  
 Substitute Hogue Overmolded Free Float Tube:  
 16", 20" or 24" . . . . . Add **\$45**  
 18" . . . . . Add **\$90**

### Standard A4 Upper Carry Handle Options

Add Detachable Standard Carry Handle . Add **\$125**  
 Add Detachable Tactical Carry Handle . . Add **\$175**

# COMPLETE UPPER HALVES

All Upper Halves come complete with Bolt Carrier Group and Charging Handle Assembly

## Tactical CAR UTE



Universal  
Tactical Entry  
Upper!

**Pre-Ban** ..... AR0889B **\$520**  
With LE Compensator / Bayonet Lug



**Post-Ban** ..... AR0884B **\$520**

### STANDARD CONFIGURATION

**CALIBER** ..... .223/5.56 NATO Chamber  
**UPPER** ..... One Piece Forged UTE - Universal Tactical Entry  
**BARREL** ..... Wilson 16" Chrome Moly, 1:9 Twist  
**HANDGUARD** ..... R-4

### Options

Substitute Green Handguard ..... **No Charge**  
Substitute Free Float Aluminum Tube . Add **\$50**  
Substitute Quad Rail CAR Handguard. Add **\$120**  
Substitute Stainless Steel Barrel. . . . . Add **\$55**  
Add Post-Ban Muzzle Brake . . . . . Add **\$35**

## Tactical CAR A4



Includes  
Detachable  
Tactical Carry  
Handle!

**Pre-Ban** ..... AR0885B **\$565**  
With LE Compensator / Bayonet Lug



**Post-Ban** ..... AR0880B **\$565**

### STANDARD CONFIGURATION

**CALIBER** ..... .223/5.56 NATO Chamber  
**UPPER** ..... Forged A4, with Detachable Tactical Carry Handle  
**BARREL** ..... Wilson 16" Chrome Moly, 1:9 Twist  
**HANDGUARD** ..... R-4

### Options

Substitute Green Handguard ..... **No Charge**  
Substitute Free Float Aluminum Tube . Add **\$50**  
Substitute Quad Rail CAR Handguard. Add **\$120**  
Substitute Stainless Steel Barrel. . . . . Add **\$55**  
Add Post-Ban Muzzle Brake . . . . . Add **\$35**

## TASC



Lockable  
Windage &  
Elevation  
Rear Sight!

**Pre-Ban** ..... AR0893B **\$440**  
With LE Compensator / Bayonet Lug



**Post-Ban** ..... AR0890B **\$440**  
As shown with optional Mid-Length Handguard ... AR0895B **\$440**

### STANDARD CONFIGURATION

**CALIBER** ..... .223/5.56 NATO Chamber  
**UPPER** ..... Forged A2, with Lockable Windage & Elevation Rear Sight  
**BARREL** ..... Wilson 16" Chrome Moly, 1:9 Twist  
**HANDGUARD** ..... R-4

### Options

Substitute Green Handguard ..... **No Charge**  
Substitute Mid-Length Handguard . **No Charge**  
Substitute Stainless Steel Barrel. . . . . Add **\$55**  
Add Post-Ban Muzzle Brake . . . . . Add **\$35**

# COMPLETE UPPER HALVES

All Upper Halves come complete with Bolt Carrier Group and Charging Handle Assembly

## Elite CAR UTE



Universal  
Tactical Entry  
Upper!

**Pre-Ban** ..... AR0874B **\$520**

With LE Compensator / Bayonet Lug



**Post-Ban** ..... AR0867B **\$520**

### STANDARD CONFIGURATION

**CALIBER** ..... .223/5.56 NATO Chamber

**UPPER** ..... One Piece Forged UTE - Universal Tactical Entry

**BARREL** ..... Wilson 16" Chrome Moly, 1:9 Twist

**HANDGUARD** ..... Mid-Length

### Options

Substitute Green Handguard ..... **No Charge**

Substitute Stainless Steel Barrel ..... **Add \$55**

Add Post-Ban Muzzle Brake ..... **Add \$35**

## Elite CAR A4



Includes  
Detachable  
Tactical Carry  
Handle!

**Pre-Ban** ..... AR0872B **\$565**

With LE Compensator / Bayonet Lug



**Post-Ban** ..... AR0865B **\$565**

### STANDARD CONFIGURATION

**CALIBER** ..... .223/5.56 NATO Chamber

**UPPER** ..... Forged A4, with Detachable Tactical Carry Handle

**BARREL** ..... Wilson 16" Chrome Moly, 1:9 Twist

**HANDGUARD** ..... Mid-Length

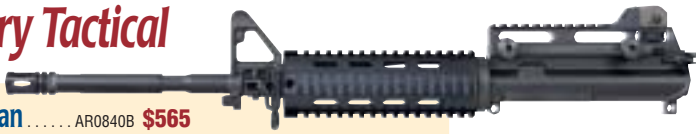
### Options

Substitute Green Handguard ..... **No Charge**

Substitute Stainless Steel Barrel ..... **Add \$55**

Add Post-Ban Muzzle Brake ..... **Add \$35**

## Entry Tactical



New!  
Optional  
Quad Rail  
Handguard!

**Pre-Ban** ..... AR0840B **\$565**

With A2 Flash Hider / Bayonet Lug

As shown with optional

Quad Rail Handguard ... AR0860 **\$685**



**Post-Ban** ..... AR0800B **\$565**

With Press-on Mock Suppressor

Includes  
Detachable  
Tactical Carry  
Handle!

### STANDARD CONFIGURATION

**CALIBER** ..... .223/5.56 NATO Chamber

**UPPER** ..... Forged A4, with Detachable Tactical Carry Handle

**BARREL** ..... Wilson R-4 16" Chrome Moly, 1:9 Twist

**HANDGUARD** ..... R-4

### Options

Substitute Green Handguard ..... **No Charge**

Substitute Quad Rail CAR Handguard. Add **\$120**

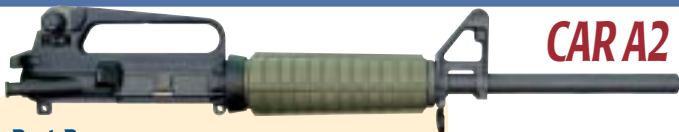
Substitute Chrome-Lined Barrel ..... **Add \$35**

Substitute Post-Ban Muzzle Brake ... **Add \$35**

# COMPLETE UPPER HALVES

All Upper Halves come complete with Bolt Carrier Group and Charging Handle Assembly

## CAR A2 16" Chrome Moly



**Post-Ban** ..... AR0600B **\$425**  
**CAR Handguard**  
 As shown in optional Green ... AR0600G **\$425**



**Pre-Ban** ..... AR0625B **\$425**  
**CAR Handguard**  
 With A2 Flash Hider / Bayonet Lug



**Post-Ban** ..... AR0650B **\$425**  
**Mid-Length Handguard**



**Pre-Ban** ..... AR0675B **\$425**  
**Mid-Length Handguard**  
 With A2 Flash Hider / Bayonet Lug

### STANDARD CONFIGURATION

**CALIBER** ..... .223/5.56 NATO Chamber  
**UPPER** ..... Forged A2  
**BARREL** ..... Wilson 16" Chrome Moly, 1:9 Twist

### Options

Substitute Green Handguard ..... **No Charge**  
 Substitute Free Float Aluminum Tube ..... **Add \$50**  
 Substitute Quad Rail CAR Handguard ..... **Add \$120**  
 Add Post-Ban Muzzle Brake ..... **Add \$35**

## CAR A2 16" Stainless Steel

**Post-Ban** ..... AR0601B **\$480**  
**CAR Handguard**



**Pre-Ban** ..... AR0626B **\$480**  
**CAR Handguard**  
 With A2 Flash Hider / Bayonet Lug



**Post-Ban** ..... AR0651B **\$480**  
**Mid-Length Handguard**  
 As shown in optional Green ... AR0651G **\$480**



**Pre-Ban** ..... AR0676B **\$480**  
**Mid-Length Handguard**  
 With A2 Flash Hider / Bayonet Lug

### STANDARD CONFIGURATION

**CALIBER** ..... .223/5.56 NATO Chamber  
**UPPER** ..... Forged A2  
**BARREL** ..... Wilson Air-Gauged 16" Stainless, 1:8 Twist

### Options

Substitute Green Handguard ..... **No Charge**  
 Substitute Free Float Aluminum Tube ..... **Add \$50**  
 Substitute Quad Rail CAR Handguard ..... **Add \$120**  
 Add Post-Ban Muzzle Brake ..... **Add \$35**



# COMPLETE UPPER HALVES

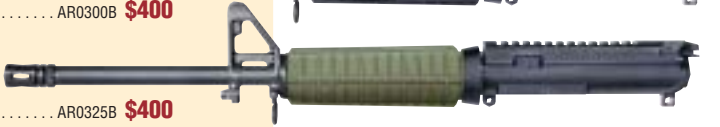
All Upper Halves come complete with Bolt Carrier Group and Charging Handle Assembly

## CAR A4 16" Chrome Moly

**Post-Ban** ..... AR0300B **\$400**  
CAR Handguard



**Pre-Ban** ..... AR0325B **\$400**  
CAR Handguard, with A2 Flash Hider / Bayo Lug  
As shown in optional Green ..... AR0325G **\$400**



**Post-Ban** ..... AR0350B **\$400**  
Mid-Length Handguard



**Pre-Ban** ..... AR0375B **\$400**  
Mid-Length Handguard  
With A2 Flash Hider / Bayonet Lug



### STANDARD CONFIGURATION

**CALIBER** ..... 223/5.56 NATO Chamber  
**UPPER** ..... Forged A4  
**BARREL** ..... Wilson 16" Chrome Moly, 1:9 Twist

### Options

Substitute Green Handguard ..... **No Charge**  
Substitute Free Float Aluminum Tube ..... Add **\$50**  
Substitute Quad Rail CAR Handguard ..... Add **\$120**  
Substitute Weaver Type Gas Block ..... Add **\$35**  
Add Detachable Standard Carry Handle ..... Add **\$125**  
Add Detachable Tactical Carry Handle ..... Add **\$175**  
Add Post-Ban Muzzle Brake ..... Add **\$35**

## CAR A4 16" Stainless Steel

**Post-Ban** ..... AR0301B **\$455**  
CAR Handguard



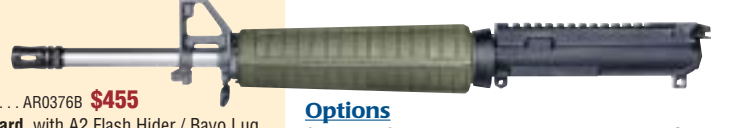
**Pre-Ban** ..... AR0326B **\$455**  
CAR Handguard  
With A2 Flash Hider / Bayonet Lug



**Post-Ban** ..... AR0351B **\$455**  
Mid-Length Handguard



**Pre-Ban** ..... AR0376B **\$455**  
Mid-Length Handguard, with A2 Flash Hider / Bayo Lug  
As shown in optional Green ..... AR0376G **\$455**



### STANDARD CONFIGURATION

**CALIBER** ..... 223/5.56 NATO Chamber  
**UPPER** ..... Forged A4  
**BARREL** ..... Wilson 16" Air-Gauged Stainless, 1:8 Twist

### Options

Substitute Green Handguard ..... **No Charge**  
Substitute Free Float Aluminum Tube ..... Add **\$50**  
Substitute Quad Rail CAR Handguard ..... Add **\$120**  
Substitute Weaver Type Gas Block ..... Add **\$35**  
Add Detachable Standard Carry Handle ..... Add **\$125**  
Add Detachable Tactical Carry Handle ..... Add **\$175**  
Add Post-Ban Muzzle Brake ..... Add **\$35**

# COMPLETE UPPER HALVES

All Upper Halves come complete with Bolt Carrier Group and Charging Handle Assembly

## Standard A2 / A4 20" Chrome Moly

**A2 Post-Ban** ..... AR0700B **\$425**

**A2 Pre-Ban** ..... AR0726B **\$425**  
With A2 Flash Hider / Bayonet Lug

**A4 Post-Ban** ..... AR0400B **\$400**  
As shown with optional Quad Rail Handguard and Weaver Type Gas Block ... AR0428 **\$610**

**A4 Pre-Ban** ..... AR0450B **\$400**  
With A2 Flash Hider / Bayonet Lug

**New! Optional Quad Rail Handguard!**

### Options

- Substitute Green Handguard ..... **No Charge**
- Substitute Free Float Aluminum Tube ..... Add **\$50**
- Substitute Quad Rail Handguard ..... Add **\$170**
- Add Post-Ban Muzzle Brake ..... Add **\$35**
- A4-** Substitute Weaver Type Gas Block ..... Add **\$35**
- A4-** Add Detachable Standard Carry Handle ... Add **\$125**
- A4-** Add Detachable Tactical Carry Handle ... Add **\$175**

### STANDARD CONFIGURATION

- CALIBER** ..... .223 Wylde Chamber
- UPPER** ..... Forged A2 or Forged A4
- BARREL** ..... Wilson HBAR 20" Chrome Moly, 1:9 Twist

## Standard A2 / A4 20" Stainless Steel

**A2 Post-Ban** ..... AR0701B **\$480**

**A2 Pre-Ban** ..... AR0727B **\$480**  
With A2 Flash Hider / Bayonet Lug

**A4 Post-Ban** ..... AR0401B **\$455**

**A4 Pre-Ban** ..... AR0451B **\$455**  
With A2 Flash Hider / Bayonet Lug

### Options

- Substitute Green Handguard ..... **No Charge**
- Substitute Free Float Aluminum Tube ..... Add **\$50**
- Substitute Quad Rail Handguard ..... Add **\$170**
- Add Post-Ban Muzzle Brake ..... Add **\$35**
- A4-** Substitute Weaver Type Gas Block ..... Add **\$35**
- A4-** Add Detachable Standard Carry Handle ... Add **\$125**
- A4-** Add Detachable Tactical Carry Handle ... Add **\$175**

### STANDARD CONFIGURATION

- CALIBER** ..... .223 Wylde Chamber
- UPPER** ..... Forged A2 or Forged A4
- BARREL** ..... Wilson 20" Air-Gauged Stainless, 1:8 Twist

# NATIONAL MATCH PARTS



## National Match Selected Fit Upper & Lower Receiver Set

Forged A2 Upper and forged lower, specially selected for extra tight National Match fit!

Match Set, stripped ..... AR0114A2SET **\$310**

## Forged A2 Upper Receiver Assembly

Complete with forward assist, port door and National Match Sight (1/4 min x 1/4 min or 1/2 min x 1/2 min, with hooded aperture, .030 or .040). ..... AR0052ANMASY **\$195**

## National Match Upper Halves

With Bolt Carrier Group and Charging Handle Assembly

**A2 Post-Ban** ..... AR0750B **\$625**

**Pre-Ban** ..... AR0775B **\$625**

With A2 Flash Hider / Bayonet Lug



**A4 Post-Ban** ..... AR0780B **\$575**

**Pre-Ban** ..... AR0790B **\$575**

With A2 Flash Hider / Bayonet Lug



NOTE: CMP A4/Flattop Approval Pending

### STANDARD CONFIGURATION

**CALIBER** ..... .223 Wylde Chamber

**UPPER** ..... Forged A2 or Forged A4

**BARREL** ..... Wilson Air-Gauged Match 20" Stainless, 1:8 Twist, with NM Free Float Barrel Sleeve

**HANDGUARD** ..... Free Float, High Temp Thermo Mold

**A2 SIGHT** ..... Match 1/4 x 1/4 min, Hooded Aperture, .030

### Options

Substitute Green Handguard ..... **No Charge**

A2- Substitute 1/2 x 1/2 min Match Sight ..... **No Charge**

A2- Substitute .040 Hooded Aperture ..... **No Charge**

A4- Add Detachable Standard Carry Handle... Add **\$125**

A4- Add Detachable Front Sight..... Add **\$35**



## National Match Front and Rear Sight Kit

Available with 1/4 min x 1/4 min or 1/2 min x 1/2 min, hooded aperture, and .030 or .040 front sight post.

AR0070NMKIT ..... **\$100**



## NM Lower Half Complete

With National Match Two Stage Trigger

Black grip and stock ..... AR0940B **\$350**

Green grip and stock ..... AR0940G **\$350**

## NM Free Float Barrel Sleeve

AR0127 ..... **\$100**

With Thermo Mold Handguard ..... AR0129 **\$130**

With Injection Molded Handguard ..... AR0128 **\$115**



## NM Two Stage Trigger Kit

AR0093NMK ..... **\$120**

## M&D DCM Handguard Weight

3.6 pounds ..... RFLWTFRT **\$25**

## M&D

## DCM Rear

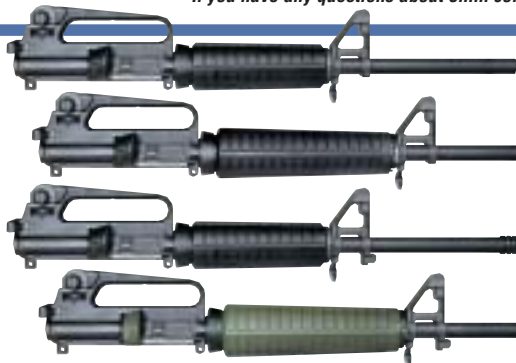
Balance Wedge 3.5 pounds . RFLWTRR **\$20**



# 9MM UPPER HALVES

All RRA 9mm Upper Halves include the bolt carrier group and charging handle assembly. In addition to the upper half, certain other parts are required to complete the 9mm conversion. A lower half with standard (non match/2-stage) internal parts is required, and a 9mm hammer must be installed in place of the .223 hammer. The 9mm magwell conversion block (which uses modified Uzi magazines or Colt-style SMG magazines) is also required. If using a CAR length receiver extension (as used in RRA pre-ban collapsible CAR and A4 stocks as well as entry tactical stocks), the 9mm buffer replaces the CAR buffer. If using the standard receiver extension (as used in A1/A2 stocks and RRA post-ban non-collapsible CAR stocks), installation of the 9mm stock spacer, CAR action spring, and 9mm buffer is required.

*If you have any questions about 9mm conversions, please call RRA.*



## 9mm CAR A2 - Post-Ban

CAR Handguard ..... 9MM0500B **\$450**  
 Mid-Length Handguard ..... 9MM0600B **\$450**

## 9mm CAR A2 - Pre-Ban

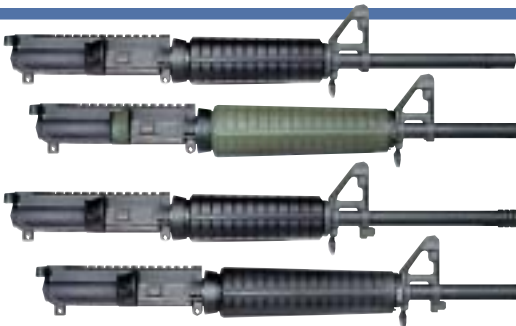
With A2 Flash Hider / Bayonet Lug  
 CAR Handguard ..... 9MM0550B **\$450**  
 Mid-Length Handguard ..... 9MM0650B **\$450**  
 As shown in optional Green .. 9MM0650G **\$450**

### STANDARD CONFIGURATION

**CALIBER** ..... 9mm Luger Chamber  
**UPPER** ..... Forged A2  
**BARREL** ..... Wilson 16" Chrome Moly, 1:10 Twist

### Options

Substitute Green Handguard. .... **No Charge**  
 Add Post-Ban Muzzle Brake. .... **Add \$35**



## 9mm CAR A4 - Post-Ban

CAR Handguard ..... 9MM0300B **\$425**  
 Mid-Length Handguard ..... 9MM0400B **\$425**  
 As shown in optional Green .. 9MM0400G **\$425**

## 9mm CAR A4 - Pre-Ban

With A2 Flash Hider / Bayonet Lug  
 CAR Handguard ..... 9MM0350B **\$425**  
 Mid-Length Handguard ..... 9MM0450B **\$425**

### STANDARD CONFIGURATION

**CALIBER** ..... 9mm Luger Chamber  
**UPPER** ..... Forged A4  
**BARREL** ..... Wilson 16" Chrome Moly, 1:10 Twist

### Options

Substitute Green Handguard. .... **No Charge**  
 Substitute Weaver Type Gas Block ..... **Add \$35**  
 Add Detachable Front Sight ..... **Add \$35**  
 Add Detachable Standard Carry Handle. .. **Add \$125**  
 Add Detachable Tactical Carry Handle. ... **Add \$175**  
 Add Post-Ban Muzzle Brake. .... **Add \$35**

## 9mm CAR A4

**With Aluminum Free Float Tube**



### Post-Ban

CAR-Length Free Float ..... 9MM0315B **\$475**  
 Mid-Length Free Float ..... 9MM0407B **\$475**

### Pre-Ban With A2 Flash Hider

CAR-Length Free Float ..... 9MM0356B **\$475**  
 Mid-Length Free Float ..... 9MM0460B **\$475**

### STANDARD CONFIGURATION

**CALIBER** ..... 9mm Luger Chamber  
**UPPER** ..... Forged A4  
**BARREL** ..... Wilson 16" Chrome Moly, 1:10 Twist  
**FRONT SIGHT BASE** ..... Weaver Type Gas Block

### Options

Add Detachable Front Sight ..... **Add \$35**  
 Add Detachable Standard Carry Handle. .. **Add \$125**  
 Add Detachable Tactical Carry Handle. ... **Add \$175**  
 Add Post-Ban Muzzle Brake. .... **Add \$35**

# 9MM PARTS



## 9mm Forged A2 Upper Receiver Assembly

Complete with rear sight, port door and case deflector.

9MM0052AASY ..... **\$175**

## 9mm Forged A4 Upper Receiver Assembly

Complete with port door and deflector.....9MM0052BASY **\$150**

## 9mm Wilson 16" Chrome Moly Barrel Assemblies

1:10 twist, includes barrel nut, handguard cap and front sight housing.



**Post-Ban, CAR** ..... 9MM0200ASY **\$160**  
 With Muzzle Brake ..... 9MM0210ASY **\$195**  
**Post-Ban, Mid-Length** ..... 9MM0202ASY **\$160**  
 With Muzzle Brake ..... 9MM0211ASY **\$195**



**Pre-Ban, CAR, threaded** ..... 9MM0201ASY **\$160**  
 With A2 Flash Hider..... 9MM0220ASY **\$167**  
**Pre-Ban, Mid-Length, threaded** ... 9MM0205ASY **\$160**  
 With A2 Flash Hider..... 9MM0225ASY **\$167**



**9mm Bolt Carrier Assembly**  
 Complete ..... 9MM0032ASY **\$170**

**9mm Firing Pin** ..... 9MM0027 **\$12**  
**9mm Firing Pin Spring** ..... 9MM0027S **\$2**

**9mm Bolt Carrier Key** ..... 9MM0029 **\$20**

**9mm Ejector** ..... 9MM0041 **\$8**

**9mm Extractor** ..... 9MM0037 **\$25**  
**9mm Extractor Pin** ..... 9MM0038 **\$1**

**9mm Hammer**  
 9MM0106 **\$15**

**9mm Ejection Port Door Kit** ..... 9MM0048K **\$10**  
**9mm Ejection Port Door** ..... 9MM0048 **\$8**



**9mm 25 Round UZI Mag**  
 Pre-ban mag modified for AR use ... 9MM0116 **\$35**

**9mm Magwell Conversion Block**  
 9MM0115 ..... **\$150**

**9mm Case Deflector**  
 Black, with spring ..... 9MM0042B **\$10**  
 Green, with spring ..... 9MM0042G **\$10**

**9mm Buffer**  
 9MM0107 ..... **\$25**

**9mm Stock Spacer**  
 9MM0073 ..... **\$8**

**CAR Action Spring** ..... AR0072A **\$4**

**9mm Pre-Ban A1 Style Flash Hider**  
 9MM0001 ..... **\$10**

**9mm Delta Ring** ..... 9MM0014 **\$5**

# BARREL ASSEMBLIES

## Wilson Chrome Moly Heavy Barrel Assemblies

1:9 twist, includes barrel nut, handguard cap and front sight housing.



<b>16" Post-Ban, CAR</b> .....	AR0201ASY	<b>\$160</b>
With Muzzle Brake .....	AR0233ASY	<b>\$195</b>
<b>16" Post-Ban, Mid-Length</b> .....	AR0211ASY	<b>\$160</b>
With Muzzle Brake .....	AR0231ASY	<b>\$195</b>
<b>20" Post-Ban</b> .....	AR0221ASY	<b>\$160</b>
With Muzzle Brake .....	AR0235ASY	<b>\$195</b>

<b>16" Pre-Ban, CAR, threaded muzzle</b> .....	AR0200ASY	<b>\$160</b>
With A2 Flash Hider .....	AR0241ASY	<b>\$167</b>
<b>16" Pre-Ban, Mid-Length, threaded</b> .....	AR0210ASY	<b>\$160</b>
With A2 Flash Hider .....	AR0244ASY	<b>\$167</b>
<b>20" Pre-Ban, threaded muzzle</b> .....	AR0220ASY	<b>\$160</b>
With A2 Flash Hider .....	AR0246ASY	<b>\$167</b>

## Wilson Chrome Moly R-4 Barrel Assemblies

1:9 twist, includes barrel nut, handguard cap and front sight housing.



<b>16" Post-Ban R-4</b>		
<b>CAR, with Mock Suppressor</b> .....	AR0203ASY	<b>\$175</b>
<b>CAR, with Muzzle Brake</b> .....	AR0230ASY	<b>\$195</b>
<b>Chrome Lined, w/Mock Suppressor</b> .....	AR0205ASY	<b>\$210</b>
<b>Chrome Lined, with Muzzle Brake</b> .....	AR0248ASY	<b>\$230</b>

<b>16" Pre-Ban R-4</b>		
<b>CAR, with threaded muzzle</b> .....	AR0202ASY	<b>\$160</b>
<b>CAR, with A2 Flash Hider</b> .....	AR0242ASY	<b>\$167</b>
<b>Chrome Lined, threaded muzzle</b> .....	AR0204ASY	<b>\$195</b>
<b>Chrome Lined, with A2 Flash Hider</b> .....	AR0249ASY	<b>\$202</b>

## **NEW!** Wilson Air-Gauged Stainless Steel R-4 Barrel Assemblies

<b>16" Pre-Ban CAR, threaded muzzle</b> .....	AR0209ASY	<b>\$215</b>	<b>16" Pre-Ban CAR, with A2 Flash Hider</b> .....	AR0239ASY	<b>\$222</b>
---	-----------	--------------	---	-----------	--------------

## Wilson Air-Gauged Stainless Steel Heavy Barrel Assemblies

1:8 twist, includes barrel nut, handguard cap and front sight housing.



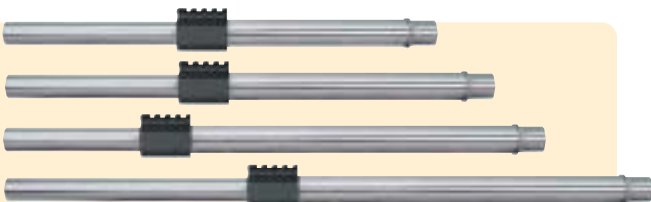
<b>16" Post-Ban, CAR</b> .....	AR0207ASY	<b>\$215</b>
With Muzzle Brake .....	AR0234ASY	<b>\$250</b>
<b>16" Post-Ban, Mid-Length</b> .....	AR0216ASY	<b>\$215</b>
With Muzzle Brake .....	AR0237ASY	<b>\$250</b>
<b>20" Post-Ban</b> .....	AR0223ASY	<b>\$215</b>
With Muzzle Brake .....	AR0238ASY	<b>\$250</b>

<b>16" Pre-Ban, CAR, threaded muzzle</b> .....	AR0206ASY	<b>\$215</b>
With A2 Flash Hider .....	AR0243ASY	<b>\$222</b>
<b>16" Pre-Ban, Mid-Length, threaded</b> .....	AR0215ASY	<b>\$215</b>
With A2 Flash Hider .....	AR0245ASY	<b>\$222</b>
<b>20" Pre-Ban, threaded muzzle</b> .....	AR0222ASY	<b>\$215</b>
With A2 Flash Hider .....	AR0247ASY	<b>\$222</b>

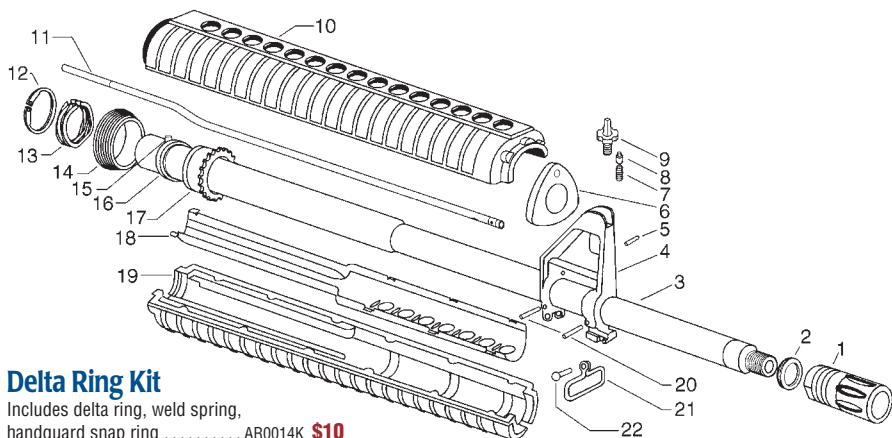
## Wilson Air-Gauged Stainless Steel Varmint Barrel Assemblies

Includes Weaver type gas block sight base. Diameter: .920 in front of gas block, 1.050 under handguard

<b>16" 1:8 Twist</b> .....	AR0208ASY	<b>\$225</b>
<b>18" 1:8 Twist</b> .....	AR0218ASY	<b>\$225</b>
<b>20" 1:8 Twist</b> .....	AR0226ASY	<b>\$225</b>
<b>24" 1:8 Twist</b> .....	AR0228ASY	<b>\$225</b>
<b>24" 1:12 Twist</b> .....	AR0229ASY	<b>\$225</b>



# BARREL ASSEMBLY PARTS



## Delta Ring Kit

Includes delta ring, weld spring, handguard snap ring ..... AR0014K **\$10**

1	<b>Flash Hiders &amp; Muzzle Brakes</b> -- See Below		
2	Crush washer.....	AR0002C	\$2.00
	Peel washer.....	AR0002P	\$2.00
3	<b>Barrels</b> -- See Page 22		
4	Front sight housing, pre-ban.....	AR0004A	\$30.00
	Front sight housing, post-ban.....	AR0004B	\$30.00
	Front sight housing, NM.....	AR0004NM	\$30.00
5	Gas tube roll pin.....	AR0005	\$5.00
6	Handguard cap, round.....	AR0006A	\$2.00
	Handguard cap, triangle.....	AR0006B	\$2.00
7	Front sight detent spring.....	AR0007	\$5.00
8	Front sight detent.....	AR0008	\$5.00
9	Front sight post, square.....	AR0009	\$2.50
10	<b>Handguards</b> -- See Page 28		
11	Gas tube, CAR.....	AR0011A	\$8.50
	Gas tube, standard.....	AR0011B	\$8.50
	Gas tube, mid-length.....	AR0011C	\$8.50
	Gas tube, NM.....	AR0011NM	\$8.50
12	Handguard snap ring.....	AR0012	\$1.00
13	Weld spring.....	AR0013	\$4.00
14	Delta ring.....	AR0014	\$5.00
15	Barrel indexing pin.....	AR0015	\$2.00
16	Barrel extension, .223.....	AR0016	\$15.00
	Barrel extension, .308.....	3080016	\$30.00
17	Barrel nut, standard.....	AR0017	\$5.00
	Barrel nut, NM.....	AR0017NM	\$25.00
18	Handguard liner, each (2 required)....	AR0018	\$3.00
20	Front sight taper pin, ea. (2 req'd) .	AR0020TAP	\$3.00
21	Front sling swivel.....	AR0021	\$3.00
22	Front sling swivel rivet.....	AR0022	\$1.00

## National Match Front Sight Posts

.050.....	AR0009NM050	<b>\$7.50</b>	
.060.....	AR0009NM060	<b>\$7.50</b>	
.070.....	AR0009NM070	<b>\$7.50</b>	

## Weaver Type Gas Block Sight Base

AR0122ASY **\$45**  
For Varmint Barrel  
AR0122VASY **\$45**

## Detachable Front Sight

AR0160 ..... **\$35**

## Front Sight Accessories Mount

AR0159 ..... **\$40**

## Military Style Muzzle Brake

Post-ban..... AR0117MS **\$35**

## Tactical Muzzle Brake

Post-ban..... AR0117T **\$35**

## LE Compensator

Post-ban..... AR0117LE **\$35**

## Pre-Ban A1 Flash Hider

AR0001A1..... **\$5**

## Pre-Ban A2 Flash Hider

AR0001A2..... **\$5**

# UPPER RECEIVER PARTS

## Rock River Arms Forged Upper Receivers



### Forged A2 Upper Receiver Assembly

**Stripped** ..... AR0052A **\$100**

**Complete** with rear sight, forward assist and port door ..... AR0052AASY **\$160**

### Forged A4 Upper Receiver Assembly

**Stripped** ..... AR0052B **\$100**

**Complete** with forward assist and port door. .... AR0052BASY **\$115**

### UTE - UNIVERSAL TACTICAL ENTRY

#### Forged UTE Upper Receiver Assembly

**Stripped** ..... AR0052U **\$130**

**Complete** with rear sight, forward assist and port door ..... AR0052UASY **\$190**

### EOP - ELEVATED OPTICAL PLATFORM

#### Forged EOP Upper Receiver Assembly 3/4" Taller than the A4

**Stripped** ..... AR0052E **\$125**

**Complete** with forward assist and port door. .... AR0052EASY **\$140**



#### Carry Handle Assembly

Complete with Rear Sight ..... AR0052CASY **\$125**

Complete with NM Rear Sight ..... AR0052CNMASY **\$150**



#### Tactical Carry Handle Assembly

Complete with Rear Sight ..... AR0125AASY **\$175**



#### Charging Handle Assembly

AR0026ASY ..... **\$17**



#### Complete Bolt Carrier Group

AR0032AGRP ..... **\$110**

**Bolt Assembly** ..... AR0034ASY **\$45**

#### A2 Standard Rear Sight Kit

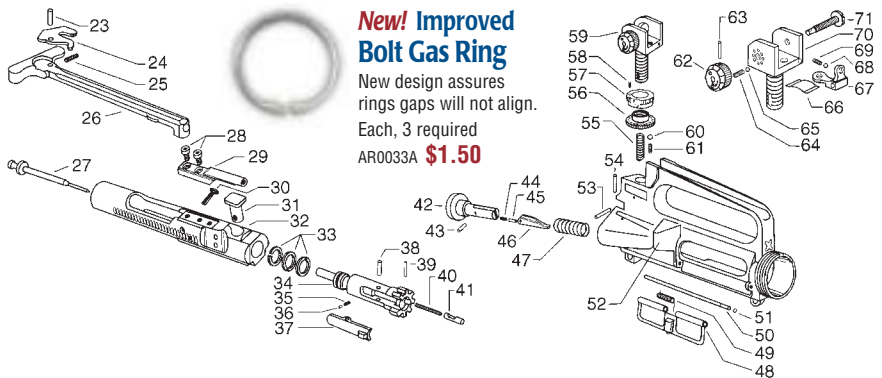
AR0070STDKIT ..... **\$60**

**Port Door Kit** ..... AR0048K **\$6.50**

**Forward Assist Kit** ..... AR0042K **\$11.75**



# UPPER RECEIVER PARTS



## New! Improved Bolt Gas Ring

New design assures rings gaps will not align.

Each, 3 required  
AR0033A **\$1.50**

23	Charging handle latch roll pin	AR0023	\$5.00	50	Ejection port cover pin	AR0050	\$1.00
24	Charging handle latch	AR0024	\$2.50	51	Pin retaining ring	AR0051	\$5.00
25	Charging handle latch spring	AR0025	\$5.00	52	<b>Upper Receivers</b> -- See Page 24		
26	Charging handle	AR0026	\$13.00	53	Rear sight elevation spring pin	AR0053	\$5.00
27	Firing pin	AR0027	\$6.00	54	Forward assist spring pin	AR0054	\$5.00
28	Bolt carrier key screw, each (2 req'd)	AR0028	\$1.00	55	Rear sight elevation spring	AR0055	\$5.00
29	Bolt carrier key	AR0029	\$7.00	56	Rear sight elevation knob	AR0056	\$5.00
30	Firing pin retaining pin	AR0030	\$1.00		Rear sight elevation index knob, NM,		
31	Cam pin	AR0031	\$3.75		one piece	AR0056NM	\$20.00
32	Bolt carrier, semi-auto	AR0032A	\$49.00	57	Rear sight elevation index	AR0057	\$5.00
	Bolt carrier, full auto	AR0032B	\$49.00	58	Index screw	AR0058	\$1.50
33	Bolt gas ring, each (3 required)	AR0033	\$6.75	59	Rear sight assembly	AR0059	\$35.00
	Bolt gas ring <b>Improved</b> , each (3 req'd)	AR0033A	\$1.50	60	Ball bearing	AR0060	\$5.00
34	Bolt	AR0034	\$25.00	61	Elevation index spring	AR0061	\$5.00
35	Extractor spring	AR0035	\$5.00	62	Rear sight windage knob	AR0062	\$6.00
36	Extractor spring insert	AR0036	\$5.00		Rear sight windage knob, lockable	AR0062LK	\$8.00
37	Extractor	AR0037	\$10.00		Lockable knob locking screw	AR0062LKS	\$5.00
38	Extractor pin	AR0038	\$1.00	63	Rear sight windage knob pin	AR0063	\$5.00
39	Ejector roll pin	AR0039	\$5.00	64	Rear sight index spring	AR0064	\$5.00
40	Ejector spring	AR0040	\$5.00	65	Rear sight ball bearing	AR0065	\$5.00
41	Ejector	AR0041	\$1.50	66	Rear sight flat spring	AR0066	\$7.75
42	<b>Forward Assist Assembly</b>	AR0042ASY	\$10.25	67	Rear sight aperture	AR0067	\$6.00
43	Pawl spring pin	AR0043	\$5.00		Hooded aperture set, NM	AR0067HASET	\$25.00
44	Pawl spring	AR0044	\$5.00	68	Rear sight ball bearing	AR0068	\$5.00
45	Pawl detent	AR0045	\$1.00	69	Rear sight helical spring	AR0069	\$5.00
46	Forward assist pawl	AR0046	\$4.00	70	Rear sight base	AR0070	\$13.00
47	Forward assist spring	AR0047	\$1.00		Rear sight base, NM	AR0070NM	\$26.00
48	Ejection port cover	AR0048	\$4.00	71	Rear sight windage screw	AR0071	\$3.00
49	Ejection port cover spring	AR0049	\$5.00		Rear sight windage screw, NM	AR0071NM	\$6.00



## Accu-Wedge Buffer

Drop-in installation, eliminates play between the upper and lower receiver. You won't need one on your Rock River Arms rifle, but why not buy one for a friend! AR0190 **\$6**

## Offset Pin

Adapts large hole lower to small hole upper receiver. AR0192 **\$4**



## Offset Bushing

Adapts large hole upper to small hole lower. AR0191 **\$3**



## A2 Handle Mount Brass Deflector

AR0185 **\$20**



## A4 Flattop Brass Deflector

AR0186 **\$20**

# LOWER RECEIVER PARTS

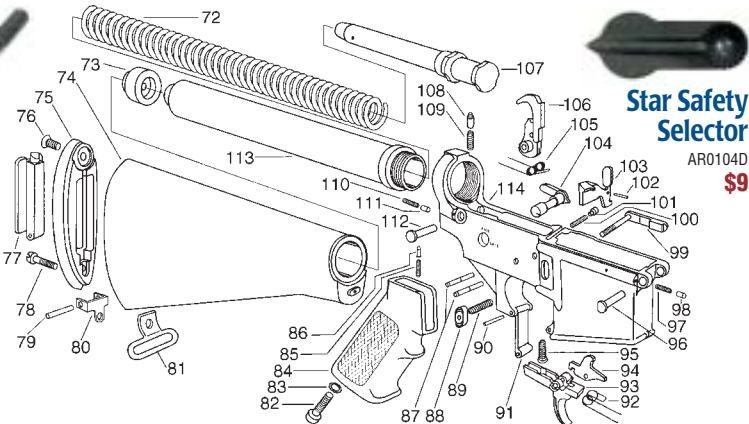


## Ambi-Catch

Ambidextrous magazine release, drop-in design.

AR00994

**\$90**



## Star Safety Selector

AR0104D

**\$9**

72	Action spring, CAR	AR0072A	\$4.00
	Action spring, standard	AR0072B	\$4.00
73	Buttcap spacer	AR0073	\$1.50
74	Buttstock, black	AR0074	\$18.00
	Buttstock, green	AR0074G	\$18.00
75	Buttplate	AR0075	\$3.00
76	Buttplate screw	AR0076	\$2.50
77	Trap Door Assembly, plastic	AR0077PASY	\$5.00
	Trap Door Assembly, aluminum	AR0077AASY	\$15.00
78	Rear swivel screw	AR0078	\$1.00
79	Trap door hinge pin	AR0079	\$.50
80	Trap door hinge	AR0080	\$2.00
81	Rear sling swivel	AR0081	\$2.75
82	Pistol grip screw	AR0082	\$1.00
83	Lock washer	AR0083	\$.50
84	Pistol grip, black	AR0084	\$3.00
	Pistol grip, green	AR0084G	\$3.00
85	Safety detent spring	AR0085	\$.50
86	Safety detent	AR0086	\$.75
87	Hammer and trigger pin	AR0087	\$1.10
	Hammer and trigger pin, NM	AR0087NM	\$2.00
88	Magazine release button	AR0088	\$2.00
89	Magazine catch spring	AR0089	\$.50
90	Trigger guard pivot roll pin	AR0090	\$.50
91	Trigger guard	AR0091	\$5.00
92	Trigger spring	AR0092	\$1.00

93	Trigger, standard	AR0093	\$8.50
94	Disconnecter	AR0094	\$4.00
95	Disconnecter spring	AR0095	\$.50
96	Pivot pin	AR0096	\$3.00
97	Pivot pin spring	AR0097	\$.50
98	Pivot pin detent	AR0098	\$.50
99	Magazine catch	AR0099	\$3.00
100	Bolt catch spring	AR0100	\$.50
101	Bolt catch plunger	AR0101	\$.60
102	Bolt catch roll pin	AR0102	\$.50
103	Bolt catch	AR0103	\$4.90
104	Safety selector lever, standard	AR0104	\$9.00
	Safety selector lever, Ambi	AR0104AMBI	\$33.00
	Safety selector lever, Star	AR0104D	\$9.00
105	Hammer spring	AR0105	\$1.00
106	Hammer with J pin, standard	AR0106	\$10.00
107	Buffer assembly, CAR	AR0107A	\$9.00
	Buffer assembly, CAR heavy	AR0107AH	\$15.00
	Buffer assembly, standard	AR0107B	\$9.50
108	Buffer retainer	AR0108	\$.70
109	Buffer retainer spring	AR0109	\$.50
110	Takedown pin spring	AR0110	\$.50
111	Takedown pin detent	AR0111	\$.50
112	Takedown pin	AR0112	\$3.00
113	Receiver extension, CAR	AR0113A	\$15.00
	Receiver extension, standard	AR0113B	\$11.00

## Forged Lower Receiver

Post-Ban, stripped . AR0114RRA **\$140**



### Lower Receiver Parts Kit with Standard Trigger

Black Pistol Grip . . . . . AR0120 **\$58**

Green Pistol Grip . . . . . AR0120G **\$58**

### Lower Receiver Parts Kit with NM Trigger

Black Pistol Grip . . . . . AR0120NM **\$178**

Green Pistol Grip . . . . . AR0120NMG **\$178**

Substitute Hogue Rubber Grip . . . . . Add **\$20**



## Complete A2 Lower Half

### Post-Ban Lower with Standard Trigger

Black Pistol Grip and A2 Stock . . . . . AR0900B **\$250**

Green Pistol Grip and A2 Stock . . . . . AR0900G **\$250**

### Post-Ban Lower with NM Trigger

Black Pistol Grip and A2 Stock . . . . . AR0940B **\$350**

Green Pistol Grip and A2 Stock . . . . . AR0940G **\$350**

Substitute Hogue Rubber Grip . . . . . Add **\$20**

# BUTTSTOCKS / PISTOL GRIPS

## Complete A2 Buttstock Kit

Includes buttstock with buttplate, sling loop, buffer, buffer tube, buffer spring, spacer and screw.

- Black ..... AR0074K **\$55**
- Green ..... AR0074GK **\$55**

## A2 Buttstock Assembly Only

Includes buttstock with buttplate and sling loop.

- Black ..... AR0074ASY **\$25**
- Green ..... AR0074GASY **\$25**



## Pistol Grip

- Black ..... AR0084 **\$3**
- Green ..... AR0084G **\$3**



## Entry Buttstock Kit

Complete with buffer and spring.

- Black ..... AR0074TK **\$55**
- Green ..... AR0074TKG **\$55**

## Hogue Rubber Grips

- Black ..... AR0084H **\$22**
- Green ..... AR0084HG **\$24**



*Corrugated, high impact plastic for strength and durability*

## Tactical CAR Buttstock Kit



*Pivoting steel swivel ideal for Law Enforcement and tactical use*

### Post-Ban Fixed Position Tactical CAR Buttstock Kit

Complete with buffer and spring.

- Black ..... AR0260 **\$95**
- Green ..... AR0260G **\$95**

### Pre-Ban Collapsible Tactical CAR Buttstock Kit

Six-position collapsible, complete with buffer and spring.

- Black ..... AR0250 **\$90**
- Green ..... AR0250G **\$90**



## Standard CAR Buttstock Kit

Post-Ban Fixed Position, with buffer and spring.

- Black ..... AR0276K **\$65**
- Green ..... AR0276GK **\$65**



## Standard CAR Buttstock Kit

Pre-Ban, 4-Position Collapsible with buffer and spring.

- Black ..... AR0275K **\$65**
- Green ..... AR0275GK **\$65**

# HANDGUARDS & RELATED



## A2 Handguards

Black ..... AR0010B **\$18**  
 Green ..... AR0010BG **\$18**



## Free Float Aluminum Tube

Standard Length ..... AR0010BAH **\$63**  
 Mid-Length ..... AR0010CAH **\$63**  
 CAR Length ..... AR0010AAH **\$63**



## Quad Rail Aluminum Free Float Tube Assembly

Standard Length ..... AR0010G **\$200**  
 Mid-Length ..... AR0010H **\$128**  
 CAR Length ..... AR0010F **\$120**



## Scout Rail

AR0134 **\$65**



## CAR Handguards

Black ..... AR0010A **\$18**  
 Green ..... AR0010AG **\$18**



## Mid-Length Handguards

Black ..... AR0010C **\$18**  
 Green ..... AR0010CG **\$18**



## R-4 Handguards

Black ..... AR0010ASHS **\$18**  
 Green ..... AR0010ASHSG **\$18**



## Hogue Overmolded Free Float Tube

Standard Length, with gas tube .... AR0010BHH **\$90**  
 CAR Length, with gas tube ..... AR0010AHH **\$90**

## NEW Flattop Extended Mounting Platforms

Extends over handguard for complete mounting flexibility, with integral front and rear sights.



Standard, 21.25" overall length ..... AR0131BAS **\$275**  
 Mid-Length, 17.25" overall length ... AR0131CAS **\$275**  
 CAR, 15.75" overall length ..... AR0131AAS **\$275**

# ACCESSORIES

## EOTech HoloSight

Holographic diffraction sight, instantly visible in any light with true two eyes open shooting.

100% parallax-free featuring 20 brightness settings.



**EOTech 511** Uses 2 "N" Batteries . . . . . AR0280 **\$339**

**EOTech 512** Uses 2 "AA" Batteries . . . . . AR0281 **\$389**

### Night Vision Compatible Models:

**EOTech 551** Uses 2 "N" Batteries . . . . . AR0282 **\$389**

**EOTech 552** Uses 2 "AA" Batteries . . . . . AR0283 **\$439**

## U.S.T.S. A2 Handle Mount

AR0124



**\$23**



## Hi Riser Scope Mount

With 1 Inch Rings

AR0130 **\$45**

## Flattop Riser Base

AR0135



**\$35**



## Versa-Pod Tactical Bipod

Heavy duty quick detachable folding bipod.

**Model 2 - Prone** . . . . . AR0145 **\$64**

9" - 12" Adjustable Leg Height

**Model 3 - Sitting** . . . . . AR0146 **\$69**

15" - 23.75" Adjustable Leg Height

## LULA AR Mag Loader

Loads and unloads 10/20/30/100 round metal or plastic AR mags, very fast and easy to operate.

AR0119

**\$23**



## Rock River Arms Logo Apparel

Caps, T-Shirts, Sweatshirts and more in a variety of designs and colors. Call for more information.



## Turner Saddlery National Match Service Rifle Synthetic Sling

All Weather Synthetic service rifle sling, 54"/56" adjustable, CMP approved.



Black . . . . . AR0139B **\$50**

Green . . . . . AR0139G **\$50**



## CMP Sling

Nylon, adjustable

AR0138 **\$10**

## Side Mount Sling Swivel

AR0161 **\$27**



## RRA Cleaning Station

AR0150 **\$25**



## Armorer's Steel Barrel Wrench

Heavy duty, multi-purpose wrench . . . . . AR0166 **\$37**



## CAR Stock Wrench

Heavy duty steel wrench . . . . . AR0167 **\$25.50**



## Tactical CAR Stock Wrench

Designed specifically to engage the lock nut on our

Tactical CAR stock . . . . . AR0165 **\$6**



**Standard Features & Options**

Model / Barrel Length

STD: Standard Feature  
N/C: No Charge Option    \$: Additional Cost Option

LE ONLY MODELS						TACTICAL		
TASC LE / 16"	Entry Tactical LE / 16"	Tactical CAR UTE LE / 16"	Tactical CAR A4 LE / 16"	Elite CAR UTE LE / 16"	Elite CAR A4 LE / 16"	TASC / 16"	Entry Tactical / 16"	Tactical CAR UTE / 16"

NATIONAL MATCH TWO STAGE TRIGGER		STD	STD	STD	STD	STD	STD	STD	STD
UPPER RECEIVER	FORGED A2 UPPER	STD						STD	
	FORGED A4 UPPER		STD		STD		STD		STD
	FORGED UTE - UNIVERSAL TACTICAL ENTRY			STD		STD			STD
	FORGED EOP - ELEVATED OPTICAL PLATFORM								
CARRY HANDLE	STANDARD DETACHABLE CARRY HANDLE		N/C		N/C		N/C		N/C
	TACTICAL DETACHABLE CARRY HANDLE		STD		STD		STD		STD
REAR SIGHT	STANDARD A2		STD	STD	STD	STD	STD		STD
	WITH LOCKABLE WINDAGE & ELEVATION NATIONAL MATCH / HOODED APERTURE	STD						STD	
BARREL	CHROME-MOLY / 1:9	STD		STD	STD	STD	STD	STD	STD
	R-4 CHROME-MOLY	N/C	STD	N/C	N/C			N/C	STD
	STAINLESS STEEL / 1:8	\$55	\$55	\$55	\$55	\$55	\$55	\$55	\$55
	STAINLESS STEEL VARMINT / 1:8								
MUZZLE DEVICE	LE COMPENSATOR	STD	STD	STD	STD	STD	STD		
	WELDED MUZZLE BRAKE							\$35	\$35
	PRESS-ON MOCK SUPPRESSOR								STD
FRONT SIGHT	A2 FRONT SIGHT	STD	STD	STD	STD	STD	STD	STD	STD
	WEAVER TYPE GAS BLOCK SIGHT BASE	\$35	\$35	\$35	\$35	\$35	\$35	\$35	\$35
HANDGUARDS	R-4	STD	STD	STD	STD			STD	STD
	MID-LENGTH	N/C				STD	STD	N/C	
	CAR	N/C		N/C	N/C			N/C	N/C
	A2 STANDARD								
	A2 NATIONAL MATCH FREE FLOAT								
	QUAD RAIL ALUMINUM HANDGUARD	\$120	\$120	\$120	\$120			\$120	\$120
PISTOL GRIP	ALUMINUM FREE FLOAT TUBE	\$50		\$50	\$50			\$50	\$50
	HOGUE OVERMOLDED FREE FLOAT TUBE	\$80		\$80	\$80			\$80	\$80
	HOGUE RUBBER GRIP	STD	STD	STD	STD	STD	STD	STD	STD
BUTTSTOCK	STANDARD A2 GRIP								
	6 POSITION TACTICAL / PRE-BAN	N/C	N/C	STD	STD	STD	STD		
	FIXED TACTICAL							N/C	N/C
	FIXED CAR STOCK							N/C	N/C
BUTTSTOCK	ENTRY BUTTSTOCK	N/C	STD	N/C	N/C	N/C	N/C	N/C	STD
	A2 BUTTSTOCK	STD	N/C	N/C	N/C	N/C	N/C	STD	N/C

MODELS				STANDARD MODELS						VARMINT MODELS							
Tactical CAR A4 / 16"	Elite CAR UTE / 16"	Elite CAR A4 / 16"		CAR A2 / 16"	CAR A4 / 16"	Standard A2 / 20"	Standard A4 / 20"	NM A2 / 20"	NM A4 / 20"	Varmint A4 / 16"	Varmint EOP / 16"	Varmint A4 / 18"	Varmint EOP / 18"	Varmint A4 / 20"	Varmint EOP / 20"	Varmint A4 / 24"	Varmint EOP / 24"
STD	STD	STD		STD	STD	STD	STD	STD	STD	STD	STD	STD	STD	STD	STD	STD	STD
				STD		STD		STD									
STD		STD			STD		STD		STD	STD		STD		STD		STD	
	STD										STD		STD		STD		STD
N/C		N/C			\$125		\$125			\$125		\$125		\$125		\$125	
STD		STD			\$175		\$175			\$175		\$175		\$175		\$175	
STD	STD	STD		STD		STD											
								STD									
STD	STD	STD		STD	STD	STD	STD										
N/C																	
\$55	\$55	\$55		\$55	\$55	\$55	\$55	STD	STD	STD	STD	STD	STD	STD	STD	STD	STD
																N/C	N/C
\$35	\$35	\$35		\$35	\$35	\$35	\$35	\$35	\$35								
STD	STD	STD		STD	STD	STD	STD	STD	STD								
\$35	\$35	\$35		\$35	\$35	\$35	\$35	\$35	\$35	STD	STD	STD	STD	STD	STD	STD	STD
STD		STD		N/C	N/C												
	STD	STD		N/C	N/C												
N/C				STD	STD												
						STD	STD		STD	STD							
\$120				\$120	\$120	\$170	\$170										
\$50				\$50	\$50	\$50	\$50			STD	STD	STD	STD	STD	STD	STD	STD
\$80				\$80	\$80	\$80	\$80			\$45	\$45	\$90	\$90	\$45	\$45	\$45	\$45
STD	STD	STD		\$20	\$20	\$20	\$20	\$20	\$20	STD	STD	STD	STD	STD	STD	STD	STD
				STD	STD	STD	STD	STD	STD								
STD	STD	STD		\$25	\$25												
N/C	N/C	N/C		N/C	N/C												
N/C	N/C	N/C		N/C	N/C												
N/C	N/C	N/C		STD	STD	STD	STD	STD	STD	STD	STD	STD	STD	STD	STD	STD	STD



Rock River Arms, Inc.  
1042 Cleveland Road • Colona, IL 61241  
ph: 309-792-5780 • fx: 309-792-5781  
email: [info@rockriverarms.com](mailto:info@rockriverarms.com)  
web: [www.rockriverarms.com](http://www.rockriverarms.com)