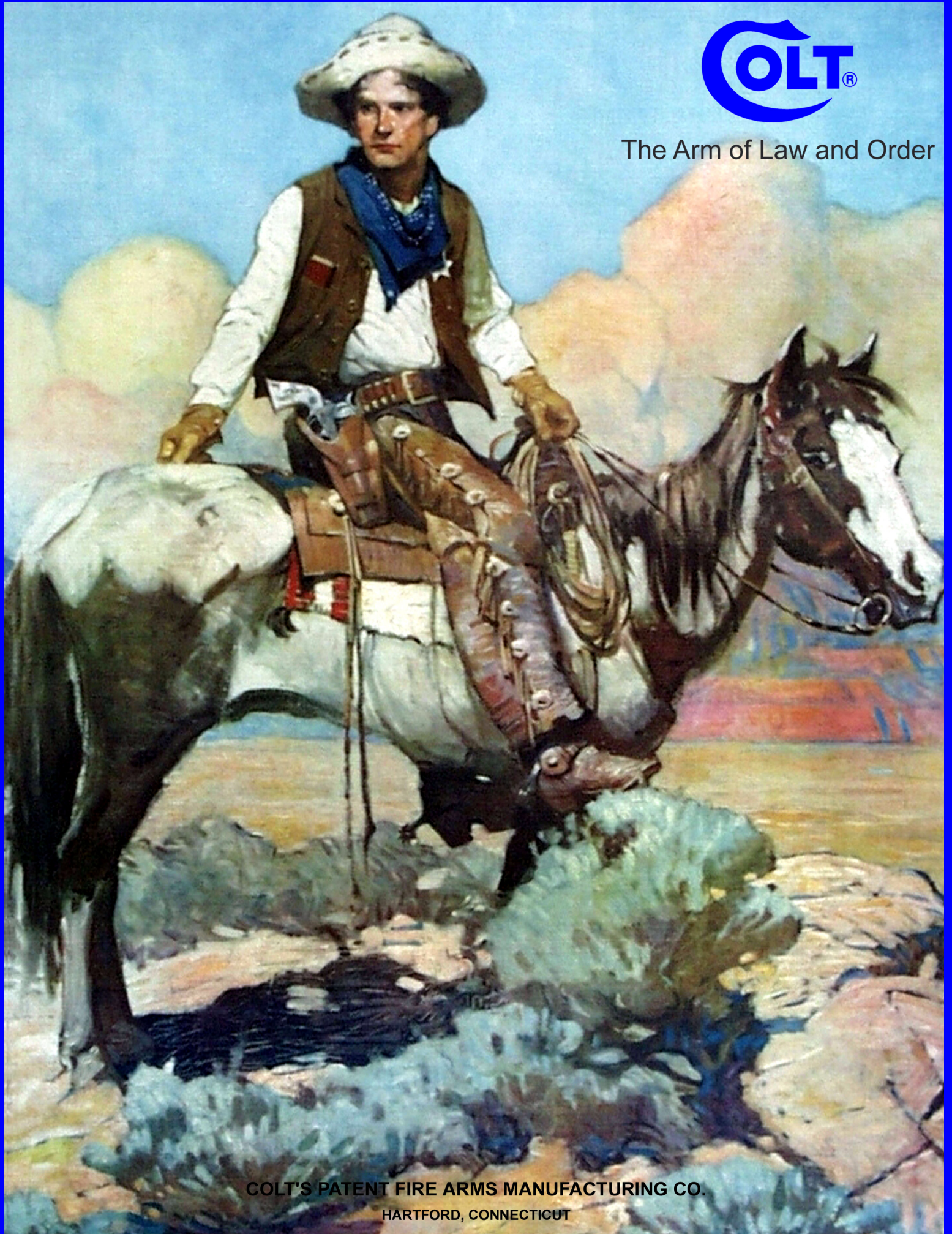




The Arm of Law and Order



COLT'S PATENT FIRE ARMS MANUFACTURING CO.

HARTFORD, CONNECTICUT



Colt Firearms



The story of Colt, the firearms company, is written indelibly across the pages of almost two centuries of history. There are millions of arms bearing the Colt® name attesting to the company's keen knowledge of shooters' needs coupled with the ability to deliver a quality product.

More than four hundred distinct models of handguns and longarms of muzzle and breech loading designs together with thousands of variations and subtypes are included in this phenomenal accomplishment:

- Percussion black powder classics such as the Walker™ and Dragoon™ models, the 1860 Army™ and 1861 Navy™ revolvers.
- The most famous revolver ever, the 1873 Single Action Army™ (or Peacemaker®) that signaled Colt's move into the metallic-cartridge era.

- The Model 1911™ Automatic Pistol that still defines the standard for modern day .45 semiautomatic pistols.
- The Python™ model that is considered to be the ultimate double action revolver.



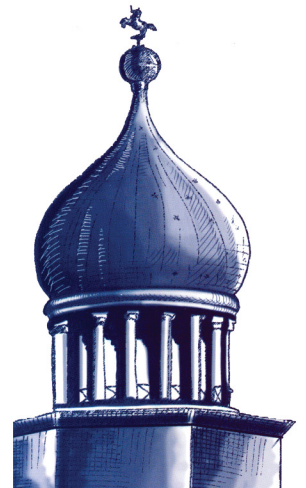
West Point

Suffice it to say that no other name has contributed more to the legendary history, or the future ingenuity of American firearms than Colt. That's what makes "Colt" the most revered and collectible name in the history of firearms to this very day, and for the future.

Colt has always been an innovator, a pioneer – implementing mass production techniques, designing for parts interchangeability, always striving to improve production methods. Today, Colt maintains its position as one of the world's leading gun manufacturers by blending state-of-the-art technologies and modernized manufacturing methods. After all, Colt tradition dictates that the technology be the best available and that quality never be compromised.

Colt engineers are already designing firearms for the future that seem almost too good to be true. But our 168-year history has taught us an important fact: The Future of Firearms is not just "tomorrow". It's right now. The Future of Firearms is also the products we provide our customers today. That's why at Colt, we make it a personal goal to provide you with the most responsible, highest quality gun value we can produce.

Our legacy for the twenty first century will rest on how well we lay the groundwork today for creating a company that continues to be responsive to consumer needs and depends as much on inventiveness and innovation as it does on technology. We are striving to meet this challenge and to guarantee a secure place for Colt in the pages of history as they unfold in the decades to come.





Colt 1911 - WWI Replica



COLT 1911 - WWI Replica

A faithful reproduction of the WWI Model 1911 U.S. Military sidearm. Throughout American History, Colt's weapons have given American Servicemen the confidence to succeed in combat. As the Colt Walker and Peacemaker revolvers contributed immeasurably to American success in past conflicts, Colt's 1911 pistols and their descendents were in the hands of confident, WWI, WWII, Korean and Vietnam American Servicemen. In recognition of the contribution of the Colt .45, Colt reproduces it in detail, including packaging.



PRODUCT FEATURES

- Reproduction based on the original 1911 blueprints
- Series 70 firing system
- Original rollmarks and inspector marks
- 5" barrel with wide hood
- Smooth, straight mainspring housing with lanyard loop
- WWI-style manual thumb and grip safety
- Tapered blade front sight
- Carbonia blue finish
- Forged knurled slide stop
- Knurled thumb safety and magazine catch
- WWI-style screwdriver and original manual included
- Two 7-round magazines



- Double diamond walnut grips
- Long, smooth steel trigger
- U-notch rear sight
- Vertical rear slide serrations



Colt 1911 - WWI Replica



Single Action Army



COLT SINGLE ACTION ARMY™ REVOLVER

Introduced in 1873, no Colt revolver has earned greater fame than the Single Action Army. In design and performance, in line and form, no more sculptural and practical Colt has ever been created. Movies serve as constant reminders of the role this equalizer played in winning the West. Large numbers of knock-offs and look-alikes have never been able to replace the real Colt. Records on the SAA are a Who's Who of action-oriented Americans of the late 19th and early 20th centuries. Among others, such names as Buffalo Bill Cody, Theodore Roosevelt, John Wesley Hardin, Judge Roy Bean, T.H. Burger, Pawnee Bill Lilly, Captain Jack Crawford, Wild Bill Hickock, Wyatt Earp, Pat Garrett, Billy the Kid, Sam Bass, the James, Younger and Dalton boys, and many others.



P1650



P1870



PRODUCT FEATURES

- Custom lengths & calibers in addition to those listed
- Outstanding design and performance
- Blue finish with color case hardened frame
- Black composite Eagle grips
- 2nd Generation style cylinder bushing
- Available with a variety of custom options



AVAILABLE MODELS

P1640

- Blue color case finish, .357 caliber
- 4¾" barrel length, 10¼" overall length

P1650

- Blue color case finish, .357 caliber
- 5½" barrel length, 11" overall length

P1670

- Blue color case finish, .357 caliber
- 7½" barrel length, 13" overall length

P1840

- Blue color case finish, .45 Colt
- 4¾" barrel length, 10¼" overall length

P1850

- Blue color case finish, .45 Colt
- 5½" barrel length, 11" overall length

P1870

- Blue color case finish, .45 Colt
- 7½" barrel length, 13" overall length

P1940

- Blue color case finish, .44-.40 caliber
- 4¾" barrel length, 10¼" overall length

P1950

- Blue color case finish, .44-.40 caliber
- 5½" barrel length, 11" overall length

P1970

- Blue color case finish, .44-.40 caliber
- 7½" barrel length, 13" overall length

COLT'S MANUFACTURING COMPANY, INC.

P.O. Box 1868, Hartford, CT, 06144, 1-800-962-COLT

www.Colt.com



1991 Series



COLT 1991™ SERIES

Colt 1991 Series is a direct descendent of the original Colt 1911A1. After more than 90 years, it's still "The Standard" everyone else imitates, but no one duplicates.



O1991 GOVERNMENT



O1091 GOV'T STAINLESS



O4091U COM. STAINLESS



O4691 COMMANDER

PRODUCT FEATURES

- Aluminum trigger
- Single action
- Fixed sights
- .45 ACP
- 7 + 1 round capacity
- Beveled magazine well
- Standard thumb safety and service style grip safety



AVAILABLE MODELS

O1991

- Blue finish carbon steel frame & slide
- 5" barrel length, 8½" overall length
- Double diamond rosewood grips
- Spur hammer

O1091

- Stainless finish, stainless frame & slide
- 5" barrel length, 8½" overall length
- Rubber composite grips
- Spur hammer

O4091U

- Stainless finish, stainless frame & slide
- 4¼" barrel length, 7¾" overall length
- Rubber composite grips
- Commander hammer

O4691

- Blue finish carbon steel frame & slide
- 4¼" barrel length, 7¾" overall length
- Double diamond rosewood grips
- Commander hammer



Defender



COLT DEFENDER™

Colt first introduced the use of a lightweight aluminum alloy in a gun frame in 1948. Building on this experience, the Colt Defender model now offers the power and performance of a full-sized .45 ACP pistol in a compact, lightweight carry model. Small, lightweight, accurate, reliable, with excellent sights and able to withstand everyday wear and frequent practice sessions without the need for extensive maintenance.



PRODUCT FEATURES

- Wrap around rubber finger groove grips
- Skeletonized aluminum trigger
- Single action
- Fixed sights
- .45 Caliber
- 3" barrel length
- 6³/₄" overall length
- Beveled magazine well
- Lightweight
- Brushed stainless frame & slide
- 7 + 1 round capacity



07000D DEFENDER





Series 70



COLT SERIES 70™ PISTOL

The legacy of the Government Model is well known. It is a combat proven weapon that has tirelessly served our Armed Forces in past conflicts.

Colt's Series 70 pistol features the Series 70 firing system, making it a faithful recreation and throwback to Colt Government Models manufactured during the 1970's. It is a rugged and dependable Colt that features high maintainability and sustains repeatable accuracy.



PRODUCT FEATURES

- Series 70 custom replica
- 5" barrel
- Double diamond rosewood grips
- Original rollmarks
- Fixed sights
- Original Series 70 firing system
- Blue or stainless finish



O1070A1CS



O1970A1CS



XSE Series



COLT XSE™ SERIES

Chambered for 45ACP, the XSE Series features front and rear serrations, an elongated hammer slot, and adjustable 2-cut aluminum trigger. It is available in Government, Commander, and Lightweight Commander versions.



O1070XSE GOVERNMENT



O4012XSE COMMANDER



O4860XSE LW COMMANDER



O1980XSE GOVERNMENT

PRODUCT FEATURES

- Front and rear slide serrations
- Checkered, double diamond, rosewood grips
- Extended ambidextrous thumb safeties
- Fixed sights
- Aluminum trigger
- Elongated hammer slot
- Combat hammer
- New roll marking and enhanced tolerances
- 8 + 1 round capacity
- .45 caliber
- Single action

AVAILABLE MODELS

O1070XSE

- Stainless brushed finish
- 5" barrel length

O4012XSE

- Stainless brushed finish
- 4¼" barrel length

O4860XSE

- Stainless brushed finish
- 4¼" barrel length
- Teflon coated aluminum receiver

O1980XSE

- Blue carbon steel finish
- 5" barrel length



.38 Super



COLT .38 SUPER™

The .38 Super was introduced in 1929 in the famous Colt Government Model 1911 auto pistol. At the time of its introduction the .38 Super was the most powerful auto pistol cartridge in the world.

Colt is the only major American gun maker who has produced .38 Super pistols.

The .38 Super is one of the most powerful and flat-shooting cartridges available for auto-loading pistols.



O2070E



O2071ELC2



O2570E

PRODUCT FEATURES

- Single action
- 3 dot sights
- .38 Super
- 9 round magazine
- Beveled magazine well
- Standard thumb safety and service style grip safety



AVAILABLE MODELS

O2070E

- Stainless finish, frame & slide
- 5" barrel length,
- 8½" overall length
- Checkered rubber composite grips
- Aluminum trigger, Commander hammer

O2071ELC2

- Bright stainless finish, stainless frame & slide
- 5" barrel length
- 8½" overall length
- Double diamond stocks
- Stainless steel trigger, spur hammer

O2570E

- Blue finish carbon steel frame & slide
- 5" barrel length,
- 8½" overall length
- Checkered rubber composite grips
- Aluminum trigger, Commander hammer



Gold Cup National Match



COLT GOLD CUP™

The first Colt Gold Cup was introduced in the late 1950's to give competitive shooters a gun to take directly from the dealer's shelf to the firing line. It featured an adjustable wide trigger, hand-honed action, adjustable target sights, flat grooved top rib on the slide, and many other refinements as standard.

Today, the Colt Gold Cup is known as the finest shooting automatic in the world, and is the standard for competition guns.



PRODUCT FEATURES

- 5" Match grade barrel
- Black wrap around grips
- Adjustable aluminum trigger
- Adjustable rear sight
- Beveled magazine well
- Beavertail grip safety
- 8 + 1 round capacity
- Full length recoil spring and target recoil spring
- Brushed stainless frame and slide
- Round top slide
- Bomar rear sight



05070X



Colt Gunsite Pistol



COLT GUNSITE™ PISTOL

This model is truly a shooter's firearm. Much time and effort have been spent in developing every detail of this fine, innovative firearm. The joint effort, led by Colt's LtGen William M. Keys USMC (Ret) and Gunsite's Owen Buz Mills and Col. Bob Young USMC (Ret), brings to market another contribution to Colt's legacy of producing 1911 series handguns.



PRODUCT FEATURES

- Series 70 firing system
- Smith & Alexander steel grip safety with palm swell
- Serrated flat mainspring housing
- Dehorned all around
- Thin rosewood grips
- Gold Cup serrations on front strap
- Heinie front and Novak rear sights
- Short aluminum trigger with 4 – 4½ lb pull
- Wilson extended safety lock
- \$100 coupon towards training at Gunsite
- Two 8-round Wilson mags with metal base plate
- McCormick hammer and sear

AVAILABLE MODELS

O1070CGP

- Stainless steel
- 5" barrel length

O1980CGP

- Blue carbon steel
- 5" barrel length



O1070CGP



O1980CGP



COLT'S MANUFACTURING COMPANY, INC.

P.O. Box 1868, Hartford, CT, 06144, 1-800-962-COLT

www.Colt.com



Special Combat Gov't



SPECIAL COMBAT GOV'T™

This competition ready 45 ACP comes with skeletonized trigger, S&A® grip safety, custom tuned action, polished feed ramp, throated barrel, flared ejection port, cut out Commander hammer, two 8-round magazines with base pads, extended ambidextrous thumb safety, Bomar® rear and Heinie® dovetail front sight, and S&A magazine guide. Fully accurized and shipped with a certified target attesting to its exceptional precision.



PRODUCT FEATURES

- .45 ACP Caliber
- 5" barrel length
- 8½" overall length
- Single action
- 8 round magazine
- Blue / Satin nickel finish
- Double diamond rosewood grips
- Extended ambidextrous thumb safety
- Steel checkered mainspring housing with extended magazine well



O1980CM





Python Elite



COLT PYTHON® ELITE™

World renowned for speed and accuracy, the double action Python Elite presents a rare combination of feel, power and style in a high performance custom package. Truly the finest of the breed, no other revolver has carried its reputation with such excellence.

According to GUNS Magazine: "The Rolls-Royce® of sixguns." Simply the best you can get!



I3040CS



I3060CS



I3640CS



I3660CS

PRODUCT FEATURES

- .357 Magnum
- Target hammer
- Serrated service trigger
- Ribbed barrel
- Single / Double Action
- Walnut grips
- Red ramp front sight
- White outline adjustable rear sight
- Nickel medallions



AVAILABLE MODELS

I3040CS

- 4" barrel length
- Brushed stainless steel finish

I3060CS

- 6" barrel length
- Brushed stainless steel finish

I3640CS

- 4" barrel length
- Blue finish

I3660CS

- 6" barrel length
- Blue finish



Anaconda



COLT ANACONDA®

The most accurate .44 Mag on the market, big-bore shooters have come to expect the top performance and durability of this powerhouse. But, the light, smooth trigger pull of the Anaconda still takes them by surprise. The free-floating ejector rod and full length housing enhance balance and portability. Shooters like the wide spurred, deep grooved hammer. Offset bolt notches and clockwise cylinder turn add strength and durability, while the integral ventilated barrel rib dissipates heat for clear sighting and allows easy scope mounting.



MM3040DT



MM3060DT



MM3080PDT

PRODUCT FEATURES

- Brushed stainless steel finish
- .44 Magnum
- Target hammer
- Serrated target trigger
- Ribbed barrel
- Single / Double action
- Rubber combat type grips
- Red ramp front sight
- White outline adjustable rear sight
- Drilled and tapped for scope mount
- Nickel medallions

AVAILABLE MODELS

MM3040DT

- 4" barrel length
- 9-5/8" overall length
- 47 oz.

MM3060DT

- 6" barrel length
- 11-5/8" overall length
- 53 oz.

MM3080PDT

- 8" barrel length
- 13-5/8" overall length
- 59 oz.
- Ported barrel



Match Target HBAR



MATCH TARGET RIFLES

While the Colt name is virtually synonymous with handguns, Sam Colt's initial revolvers off the assembly line were longarms. That's right! The first production model of any Colt was the No.1 Ring Lever Rifle.

The carbine breech (attachable shoulder stocks for handguns) and America's first slide action rifle were also part of Colt's on-and-off ventures into longarms. Then in 1963 the AR-15 and M16 .223 (5.56mm) automatic rifles "made Colt's the small-arms sensation of modern warfare".

Their unmatched accuracy, performance and durability are available in their direct descendent, the Colt semiautomatic-only, sporting rifles. They're ideal for hunting, plinking and competition shooting.



MODEL NAME FINISH ACTION

MT6601 / MT6601C
Match Target HBAR
Matte black
- Semi Auto
- Gas operated
- Multi-lug rotary locking bolt

CALIBER CAPACITY

.223 Rem
9 Rounds

BARREL LENGTH

20"

RIFLING TWIST

RH. 1 Turn in 7"

RIFLING GROOVES

6

TRIGGER

Smooth

FRONT SIGHT

Adjustable post for elevation

REAR SIGHT

Adjustable for windage and elevation

SIGHT RADIUS

20 1/4"

WEIGHT

8.0 lbs

OVERALL LENGTH

39"

SPECIAL FEATURES

Compensator (MT6601C)





Match Target Competition HBAR



MATCH TARGET RIFLES

While the Colt name is virtually synonymous with handguns, Sam Colt's initial revolvers off the assembly line were longarms. That's right! The first production model of any Colt was the No.1 Ring Lever Rifle.

The carbine breech (attachable shoulder stocks for handguns) and America's first slide action rifle were also part of Colt's on-and-off ventures into longarms. Then in 1963 the AR-15 and M16 .223 (5.56mm) automatic rifles "made Colt's the small-arms sensation of modern warfare".

Their unmatched accuracy, performance and durability are available in their direct descendent, the Colt semiautomatic-only, sporting rifles. They're ideal for hunting, plinking and competition shooting.



MODEL NAME FINISH ACTION

MT6700 / MT6700C
Match Target Competition HBAR
Matte black
- Semi Auto
- Gas operated
- Multi-lug rotary locking bolt

CALIBER CAPACITY

.223 Rem
9 Rounds

BARREL LENGTH

20"

RIFLING TWIST

RH. 1 Turn in 9"

RIFLING GROOVES

6

TRIGGER

Smooth

FRONT SIGHT

Adjustable post for elevation

REAR SIGHT

Adjustable for windage and elevation

SIGHT RADIUS

20 1/4"

WEIGHT

8.5 lbs

OVERALL LENGTH

39"

SPECIAL FEATURES

- Flat top receiver allows for scope mounting
- Compensator (MT6700C)





Match Target Competition HBAR II



MATCH TARGET RIFLES

While the Colt name is virtually synonymous with handguns, Sam Colt's initial revolvers off the assembly line were longarms. That's right! The first production model of any Colt was the No.1 Ring Lever Rifle.

The carbine breech (attachable shoulder stocks for handguns) and America's first slide action rifle were also part of Colt's on-and-off ventures into longarms. Then in 1963 the AR-15 and M16 .223 (5.56mm) automatic rifles "made Colt's the small-arms sensation of modern warfare".

Their unmatched accuracy, performance and durability are available in their direct descendent, the Colt semiautomatic-only, sporting rifles. They're ideal for hunting, plinking and competition shooting.



MODEL NAME FINISH ACTION

MT6731
Match Target Competition HBAR® II
Matte black
- Semi Auto
- Gas operated
- Multi-lug rotary locking bolt

CALIBER CAPACITY

.223 Rem
9 Rounds

BARREL LENGTH

16"

RIFLING TWIST

RH. 1 Turn in 9"

RIFLING GROOVES

6

TRIGGER

Smooth

FRONT SIGHT

Adjustable post for elevation

REAR SIGHT

Adjustable for windage and elevation

SIGHT RADIUS

14-3/4"

WEIGHT

7.1 lbs

OVERALL LENGTH

34-1/2"

SPECIAL FEATURES

- Flat top receiver allows for scope mounting





Match Target M4



MATCH TARGET® RIFLES

While the Colt name is virtually synonymous with handguns, Sam Colt's initial revolvers off the assembly line were longarms. That's right! The first production model of any Colt was the No.1 Ring Lever Rifle.

The carbine breech (attachable shoulder stocks for handguns) and America's first slide action rifle were also part of Colt's on-and-off ventures into longarms. Then in 1963 the AR-15 and M16 .223 (5.56mm) automatic rifles "made Colt's the small-arms sensation of modern warfare".

Their unmatched accuracy, performance and durability are available in their direct descendent, the Colt semiautomatic-only, sporting rifles. They're ideal for hunting, plinking and competition shooting.



MODEL NAME FINISH ACTION

MT6400C
Match Target M4™
Matte black
- Semi Auto
- Gas operated
- Multi-lug rotary locking bolt

CALIBER CAPACITY

.223 Rem
9 Rounds

BARREL LENGTH

16.1"

RIFLING TWIST

RH. 1 Turn in 7"

RIFLING GROOVES

6

TRIGGER

Smooth

FRONT SIGHT

Adjustable post for elevation

REAR SIGHT

Adjustable for windage and elevation

SIGHT RADIUS

14-3/4"

WEIGHT

7.32 lbs

OVERALL LENGTH

35"

SPECIAL FEATURES

- Flat top receiver allows for scope mounting
- Compensator





Colt Accurized Rifle



COLT ACCURIZED™ RIFLE

While the Colt name is virtually synonymous with handguns, Sam Colt's initial revolvers off the assembly line were longarms. That's right! The first production model of any Colt was the No.1 Ring Lever Rifle.

The carbine breech (attachable shoulder stocks for handguns) and America's first slide action rifle were also part of Colt's on-and-off ventures into longarms.

Then in 1963 the AR-15® and M16 .223 (5.56mm) automatic rifles "made Colt's the small-arms sensation of modern warfare".

Their unmatched accuracy, performance and durability are available in their direct descendent, the Colt semiautomatic-only, sporting rifles. They're ideal for hunting, plinking and competition shooting.



MODEL NAME FINISH ACTION

CR6724
Colt Accurized Rifle
Matte black with stainless steel barrel
- Semi Auto

CALIBER CAPACITY

- Gas operated
- Multi-lug rotary locking bolt
.223 Rem

BARREL LENGTH

9 Rounds

RIFLING TWIST

24"

RIFLING GROOVES

RH. 1 Turn in 9"

TRIGGER

6

FRONT SIGHT

Smooth

REAR SIGHT

-

WEIGHT

-

OVERALL LENGTH

9.25 lbs

SPECIAL FEATURES

43"
- Flat top receiver allows for scope mounting
- Stainless steel heavy barrel
- Tubular handguard
- Free floating barrel





Colt Custom Shop



ENGRAVING LEVELS



DESIGN YOUR OWN

The Colt Custom ShopSM can assist you in designing and creating your one-of-a-kind heirloom, providing an array of options. Select the amount and style scroll engraving; your personal design, figure and inscription; the material you want to use for any inlay; and your choice of finishes. Select grips are also available.

Design your own competition gun with many custom options: barrels, slides, sight systems, hammers, triggers and trigger guards, safeties, magazines, grips and finishes. The Colt Custom Shop will fine tune and accurize your competition gun for ultimate performance.



ENGRAVING COVERAGE

Custom engraving can enhance the beauty of a historical revolver or the sleek lines of a new semi-automatic pistol. Level A provides one quarter coverage, producing the effect of delicate embellishment, while complete coverage at Level D creates a uniquely decorative showpiece for any collector. Level B and C offer engraving coverage that might highlight specifically chosen areas of the firearm such as the cylinder of a revolver or the barrel of a pistol.

STYLES OF ENGRAVING

The Colt Custom Gun Shop offers several styles of engraving, each with its own unique features. Scrollwork is adapted to fit the size, shape and contour of every firearm. Three grades of engraving are offered: Standard--basic American style, engraver not recorded; Expert--master quality scroll work, engraver signed and recorded; and Master--intricate scrollwork with precious metal inlays, signed by the engraver and recorded.

AMERICAN: Developed in the mid-19th century, this is the most popular engraving style for American firearms.

ENGLISH: English engraving is more delicate than the American style, with tighter scrolls and finer shading.

NIMSCHKE: Nimschke is named for the firearms engraver who helped create the American style. This design features rich scrollwork, a heavily punched dot background, fine edge curls and delicate borders.

STYLES OF ENGRAVING



AMERICAN



ENGLISH



NIMSCHKE

CUSTOM GRIPS AND ACCESSORIES

Offered in the Colt Custom Shop are custom grips made of several materials including Walnut, Rosewood, Ebony, Mother of Pearl, Buffalo horn, Ivory and North American Elk. Hand checkering in a plain or double diamond pattern are also offered. Special edition grip medallions may be requested and produced in accordance with your specifications, including choice of metal, finish and decorative motif or symbol.

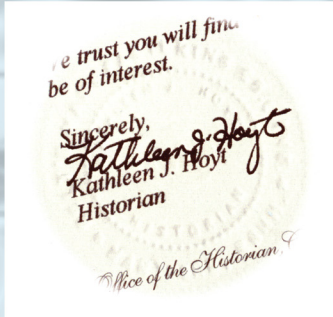




Archive Services

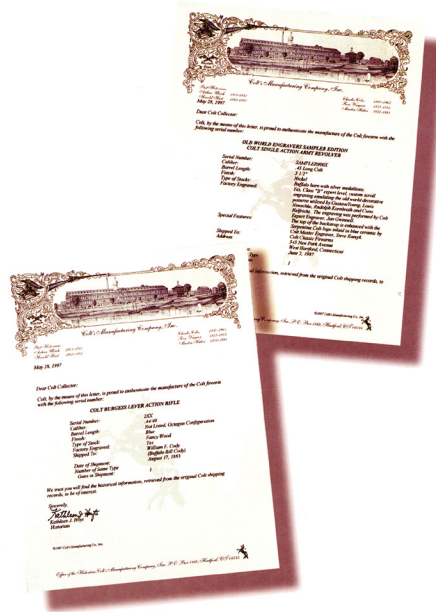


ARCHIVE LETTER



Archive letters are embossed with the official seal and signature of the Colt Historian.

Please contact us for information regarding **researchable models** as well as **prices**.



ARCHIVE LETTER: Considered one of the most unique and prestigious services offered by Colt, the Archive Letter is universally recognized as an unparalleled investment in firearms collecting. The Archive Department will search through Colt's vast archives to provide you with accurate and documented details confirming the original specifications and delivery of your particular Colt firearm. You will then receive a personal letter outlining all the fine points of your firearm, written on Archive Department's distinctive stationery, embossed with the official seal and signature of the Colt Historian.

Whether your Colt is a treasured family heirloom or a more recent purchase, a Colt Archive Letter can provide fascinating and valuable information of historical or anecdotal importance. The collectability of the piece referred to in a Colt Archive Letter is significantly enhanced. The value of your Colt is often greatly enhanced when it is authenticated in this exceptional fashion.

Colt Archive Letters can provide descriptive details about custom engraving and other special features that will ensure the value of the firearm for future generations to treasure.

HOW IT ALL STARTED...: More than 160 years ago, an obscure young seaman, Calcutta bound, carved from a block of wood a model of what was destined to become the world's most famous revolver. His name was Samuel Colt, and from the spark of his inventive genius came the modern firearms of today.

One would have to search diligently through the pages of history to find a more romantic and glamorous figure than Samuel Colt. His was the mind of a genius, a planner and a dreamer, all in one. His vision was not local, but worldwide. His ambition exceeded mere prosperity and power. Complete satisfaction could only be his when he had reached the pinnacle of his chosen field. His own deeds and the life he lived have immortalized him, and the products that still bear his name are a constant tribute to his ability and his resourcefulness.

Samuel Colt's effort to market his inventions is a record of amazing courage, ingenuity, and perseverance. That one so young in years and so handicapped by poverty and lack of prestige could prevail against such odds is one of the marvels of individual American enterprise.



Genuine Colt Parts



COLT APPAREL



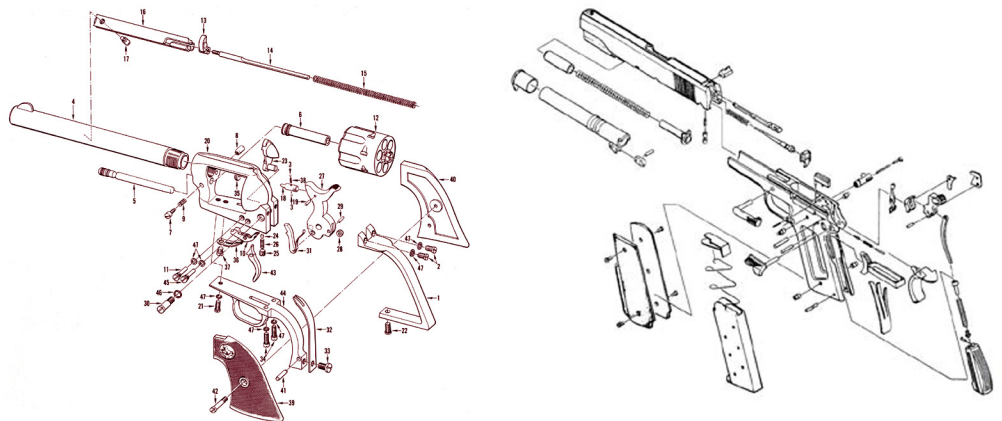
ONLINE SHOPPING



Genuine Colt Parts Available Direct From the Factory

- Select parts available
 - Including .380, .22, 9mm, King Cobra, Pythons, Anacondas, 1911 Models, .38/SF
 - Limited Single Action Army and Match Target parts
- Colt Apparel
- Colt Accessories
- Visit our e-Shop at www.Colt.com or call 800-962-2658

THE COLT GUN CARE & CLEANING SYSTEM



Colt's Statement Concerning Basic Firearm Safety Rules to Follow for the Responsible Handling of Firearms

Colt's has long been committed to policies and practices that promote the responsible design, distribution and sales of firearms to qualified, law-abiding purchasers who seek to purchase and use firearms for legitimate purposes in a safe and responsible manner. Those who purchase and handle firearms have a responsibility to themselves and others to use firearms safely. The Basic Firearm Safety Rules set forth below establish a foundation for gun safety. Please remember, however, that these Rules are ONLY a starting point for the safe handling of firearms within our community.

- THOROUGHLY read the safety and instruction manual supplied with your firearm before handling.
- ALWAYS treat every firearm as if it were loaded.
- ALWAYS check to make sure that the gun is not loaded before giving the firearm to another person.
- IMMEDIATELY check to make sure that the gun is not loaded when receiving a firearm from another person.
- ALWAYS check to make sure a firearm is not loaded when picking one up.
- NEVER chamber a round until ready to shoot.
- NEVER leave a loaded firearm unattended.
- ALWAYS store unloaded firearms and ammunition in separately secured locations, so that children and untrained adults cannot gain access to them.
- NEVER point a firearm at anything you do not intend to shoot regardless of whether the firearm is unloaded or on safety.
- NEVER consume alcoholic beverages or mind altering drugs before or during handling of firearms.
- ALWAYS make sure that the target and the area surrounding the target are safe before shooting.
- NEVER rely on the firearm's safety mechanism and ALWAYS abide by safety rules regardless of whether the firearm is unloaded or on safety.
- ALWAYS make sure the barrel of the firearm is clear of obstructions according to the safety and instruction manual.
- ONLY place your finger on the trigger when you are actually aiming at a safe target and have made the decision to fire.
- ALWAYS use the proper ammunition for your particular firearm.
- ALWAYS refer to the operation manual if your firearm fails to fire.
- NEVER alter or modify your firearm.
- NEVER shoot a firearm at hard surfaces or water.
- NEVER transport a loaded firearm and ONLY load a firearm at the destination where you intend to shoot.
- ALWAYS properly maintain your firearm.
- ONLY clean your firearm when you are absolutely sure the firearm is unloaded.
- NEVER climb a tree, fence, or obstacle with a loaded firearm.
- ALWAYS wear appropriate ear and eye protection when shooting or observing.

If you have any safety questions concerning our products, please contact us.

CONTACT US

For questions, additional information or any other issues, please contact us at:

CUSTOMER SERVICE

Colt's Manufacturing
Company, Inc.
P.O. Box 1868
Hartford, CT,
06144, USA

Tel: 1-800-962-COLT
Fax: (860) 244-1449

SHIPPING ADDRESS

Colt's Manufacturing
Company, Inc.
Talcott Road
West Hartford, CT,
06110, USA

CORPORATE OFFICE

Colt's Manufacturing
Company, Inc.
545 New Park Ave
West Hartford, CT,
06110, USA

Tel: (860) 236-6311
Fax: (860) 244-1442

At Colt we are convinced that we have the product, the people, the capacity and the service organization to serve
Colt's tradition and the needs and requirements of all our customers

NOTES



COLT'S MANUFACTURING COMPANY, INC.
P.O. Box 1868, Hartford, CT, 06144, USA
Tel: 1-800-962-COLT, (860) 236-6311, Fax: (860) 244-1449,
www.Colt.com