

MINI-14/30 CONVENTIONAL

You have asked for it, so we built it. Here is our new Mini-14/30 Conventional stock. This stock resembles the wooden stock in appearance. Stock also comes with a full 1" rubber recoil pad and two sling swivel loops. These stocks fit the 181 and up series only.

Mini-14/30 Conventional Stock *07-01-40*

Mini-14/30 Conventional Stock *Camo-07-01-41*



Mini-14/30 Conventional



Mini-14/30 Dragunov



Mini-14/30 Pistol Grip



Ruger 10/22 Pistol Grip



M-1 Carbine Pistol Grip



Ruger 10/22 Dragunov

MINI-14/30 PISTOL GRIP STOCK

Constructed of fiberglass filled polymer. These stocks are more comfortable than the traditional wooden stocks in the fact that with the pistol grip, you can hold the rifle in a more natural position. These stocks have a 1" rubber recoil pad and two 1" sling swivel loops. These stocks fit the 181 and up series only.

Ruger Mini-14/30 Pistol Grip Stock *07-01-12*

Ruger Mini-14/30 Pistol Grip Stock *Camo-07-01-13*

RUGER-10/22 PISTOL GRIP STOCK

Make a great rifle even better with a Fast handling, lightweight, convenient pistol grip stock. This stock is made from tough fiberglass filled polymer. It has a 1" rubber recoil pad and two 1" sling swivels. It also comes with a free-ventilated hand guard and our famous lifetime warranty.

Ruger 10/22 Pistol Grip Stock *07-01-02*

Ruger 10/22 Pistol Grip Stock *Camo-07-01-03*

M-1 CARBINE PISTOL GRIP STOCK

The M-1 carbine is an American Classic. Now you can enjoy this rifle even more with a Choate Full-length pistol grip stock. This stock comes with a 1" rubber recoil pad and two 1" sling swivel. A matching steel ventilated hand guard is also available and sold separately.

M-1 Pistol Grip Stock (M) *08-01-02*

M-1 Pistol Grip Stock (M) *Camo-08-01-03*

RUGER-10/22 & MINI 14 DRAGUNOV STOCK

Now you can enjoy your Ruger 10/22 or Mini 14 even more with the addition of our Dragunov Stock. This stock is a perfect match for your rifle and features a 1" rubber recoil pad, one 1/2" spacers, Russian style steel sling mount pin and a free ventilated hand guard with 10/22 only. These stock will fit the standard and .920 diameter barrel. *(Please specify when ordering.)*

Ruger 10/22 Dragunov Stock *07-01-08*

Ruger 10/22 Dragunov Stock *Camo-07-01-09*

Ruger 10/22 Dragunov Stock (Bull Barrel) *07-01-10*

Ruger 10/22 Dragunov Stock (Bull Barrel) *Camo-07-01-11*

Mini-14/30 Dragunov Stock *07-01-18*

Mini-14/30 Dragunov Stock *Camo-07-01-19*

No hand guard for Bull Barrel stocks.

VENTILATED HAND GUARDS

Avoid accuracy loss and extend the life of your barrel with one of our Ventilated Hand Guards designed to dissipate heat generated during rapid fire.



10/22 Ventilated Hand Guard *07-02-02*

10/22 Ventilated Hand Guard *Camo-07-02-03*

M-1 Steel Ventilated Hand Guard *08-02-02*

M-1 Steel Ventilated Hand Guard *Camo-08-02-03*

Mini 14/30 Ventilated Hand Guard *07-02-04*

Mini 14/30 Ventilated Hand Guard *Camo-07-02-05*

S.K.S. Ventilated Hand Guard *18-02-06*

S.K.S. Ventilated Hand Guard *Camo-18-02-07*

S.K.S. STOCKS



Our new S.K.S. stocks are made from the highest quality fiber reinforced polymer. The new stocks feature our lifetime warranty and have a standard 13 5/8" length of pull which is much longer than the original wood stocks. Available in black or camo. Ventilated hand guard included.

S.K.S. Conventional Stock

18-01-02

S.K.S. Conventional Stock

Camo-18-01-03

S.K.S. DRAGUNOV STOCK



Recoil compensator, scope mount and scope not included.

Our new S.K.S. Dragunov stock is made of the finest fiberglass filled polymer available today. It features a full 1" rubber recoil pad, our famous spacer system and Russian style steel sling mount pin. Cheek piece and matching ventilated handguard included.

S.K.S. Dragunov Stock

18-03-02

S.K.S. Dragunov Stock

Camo-18-03-03

MAK-90/AK-47 STOCK



Our new Dragunov Design MAK-90/AK-47 stock features convenient thumbhole design and our new adjustable length of pull spacer system. This system allows you to adjust the length of pull from 13" to an infinite length by adding spacers. Other features include tough fiberglass filled polymer, black matte textured finish, 1" thick rubber recoil pad, Russian style steel sling mount pin and we include a matching upper and lower hand guard with our stocks. (*You may order spacers and a matching cheek piece for scope use separately if needed.*) Please specify milled or stamped receiver when ordering.

MAK-90/AK-47 Dragunov Stock Milled Receiver

18-03-06

MAK-90/AK-47 Dragunov Stock Milled Receiver

Camo-18-03-07

MAK-90/AK-47 Dragunov Stock Stamped Receiver

18-03-08

MAK-90/AK-47 Dragunov Stock Stamped Receiver

Camo-18-03-09

Hungarian AK 47

23-03-02

Hungarian AK 47

Camo-23-03-03

S.K.S. RECOIL COMPENSATOR

Choate Machine & Tool now makes a recoil compensator for the popular S.K.S. rifles. These compensators are acid-bath blued and simply slide over the end of the barrel and attach to bayonet ring. (*Can not be used with bayonet.*)

S.K.S. Recoil Compensator

18-07-02

CHOATE S.K.S. SCOPE MOUNT

Our S.K.S. Scope Mounts are second to none in quality and workmanship. They are invest cast out of 4140 steel and blued to match the gun's finish. These mounts are designed to use Weaver type one inch rings and are raised to allow the shooter to use the iron sights as well as a scope.

S.K.S. Scope Mount

18-08-02

**must be installed by a gunsmith.*



THIN BUTT PADS

Our thin butt pads are designed to work on all of our stock that use our space system. The hard 1/4 inch pad is for when you need the shortest length stock you can get. Our 1/2 inch pad is for shooters that want short length without giving up the rubber pad so the stock will not slide when the weapon is shouldered.

1/4" Hard Plastic *18-06-04*
 1/2" Rubber Coated *18-06-05*



SPACERS FOR MARK 5, MARK 6, ALL DRAG, VARMINT & SNIPER

Extra spacers for all our stocks that have the adjustable length of pull system. you can make your stocks as long as you need to get the perfect length of pull by adding any combination of these spacers. Each set comes with screws and a spacer. (*note*) There is a difference between the spacers for the Ultimate Sniper stock and all the other stocks that have the spacer system.

1/4" Spacer *18-05-03*
Camo-18-05-04
 1/4" Sniper Spacer *18-05-12*
 1/2" Spacer *18-05-05*
Camo-18-05-06
 1/2" Sniper Spacer *18-05-10*
 (2) 1/2" Sniper Spacer *18-05-14*
 3/4" Spacer *18-05-07*
Camo-18-05-08
 3/4" Sniper Spacer *18-05-15*



MARK 6

Our new Mark 6 stock has all the features of the Mark 5 stocks and will hold five rounds in the bottom. It will take 2 3/4 to 3 1/2 inch 12 ga. shells, you can adjust how hard the shells are to remove by tightening the adjustment screws on the side of the shell holder. Can be special ordered in orange for less than lethal guns.

Remington 870 *01-01-14*
Camo-01-01-15



OLD STYLE SKELETONIZE STOCKS

Our original old style conventional stocks that have the same feel as your original wood stock.

870 Conventional Stock *01-01-04*
Camo-01-01-05
 Winchester Conventional Stock *03-01-04*
Camo-03-01-05
 Ithaca Conventional Stock *04-01-04*
Camo-04-01-05
 Mossberg Conventional Stock *02-01-04*
Camo-02-01-05





MK 5 CONVENTIONAL STOCK

CM & T's new MK5 Conventional Stock features our new spacer system which was originally designed for the police and military for use with the latest body armor, however, they work great for the hunter and recreational shooter as well. These stocks have our innovative new spacer system and come with two 1/2" spacers included which adjusts the length of pull from 13" to 14". You can lengthen your stock to an infinite length by simply adding new spacers and longer screws. Our stocks are made of the finest materials available and carry our lifetime warranty.

Remington 870	<i>Camo-01-01-45</i>
Remington 1100/1187 Convtd.. Stock	<i>Camo-01-01-53</i>
Remington 870 Lightweight 20g	<i>Camo-01-01-49</i>
Mossberg 500/600	<i>Camo-02-01-31</i>
Mossberg 5500/9200	<i>Camo-02-01-33</i>
Ithaca 37	<i>Camo-04-01-13</i>
Winchester 1200/1300/1400	<i>Camo-03-01-09</i>

Remington 870	<i>01-01-44</i>
Remington 1100/1187 Convtd.. Stock	<i>01-01-52</i>
Remington 870 Lightweight 20 g	<i>01-01-48</i>
Mossberg 500/600	<i>02-01-28</i>
Mossberg 5500/9200	<i>02-01-32</i>
Ithaca 37	<i>04-01-12</i>
Winchester 1200/1300/1400	<i>03-01-08</i>

CHOATE SYNTHETIC FORENDS

Choate Synthetic Forends go great with our pistol grips and Conventional Stocks. Made of fiberglass filled plastic, they look good and will last a lifetime. (*No forend for Winchester 1400, Mossberg 5500/9200*). Mossberg 835 forends are shorter than standard Mossberg 500 forends.

Remington 870 Forend	<i>Camo-01-02-03</i>
Remington 1100/1187 Forend	<i>Camo-01-02-13</i>
Mossberg 500/600 Forend	<i>Camo-02-02-03</i>
Winchester 1200/1300 Forend	<i>Camo-03-02-03</i>
Ithaca 37 Forend	<i>Camo-04-02-03</i>
Mossberg 835/Maverick	<i>Camo-02-02-07</i>

Remington 870 Forend	<i>01-01-02</i>
Remington 870 lt. wt. Forend 20 Gauge	<i>01-02-14</i>
Remington 1100/1187 Forend	<i>01-02-12</i>
Mossberg 500/600 Forend	<i>02-02-02</i>
Winchester 1200/1300 Forend	<i>03-02-02</i>
Ithaca 37 Forend	<i>04-02-02</i>
Mossberg 835/Maverick	<i>02-02-06</i>

All Mark 5 and Mark 6 stocks can be special ordered in orange for less than lethal guns.



Pistol Grip Mark 5

CHOATE PISTOL GRIP STOCK (MARK 5)

This stock reduces felt recoil and muzzle climb to make follow-up shots faster and more accurate. Single-handed firing is also made much easier. The stock is made of tough fiberglass filled plastic and comes with a 1" rubber recoil pad and a quick detach swivel stud. These stocks have our innovative new spacer system and come with two 1/2" spacers included which adjusts the length of pull from 13" to 14".

Remington 870	<i>Camo-01-01-43</i>
Remington 870 lt. wt. Pistol Grip Stock	<i>Camo-01-01-51</i>
Remington 1100/1187	<i>Camo-01-01-35</i>
Winchester 1200/1400	<i>Camo-03-01-07</i>
Mossberg 500-600	<i>Camo-02-01-29</i>
Mossberg 5500 & 9200 Pistol Grip Stock	<i>Camo-02-01-35</i>
Ithaca 37	<i>Camo-04-01-09</i>

Remington 870	<i>01-01-42</i>
Remington 870 Lightweight Pistol Grip Stock	<i>01-01-50</i>
Remington 1100/1187	<i>01-01-34</i>
Winchester 1200/1400	<i>03-01-06</i>
Mossberg 500/600	<i>02-01-28</i>
Mossberg 5500 & 9200 Pistol Grip Stock	<i>02-01-34</i>
Ithaca 37	<i>04-01-08</i>



Conventional Mark 5



PISTOL GRIP

Remington 870 Grip	01-03-02
Remington 870 Grip	Camo-01-03-03
Mossberg 500/600 Grip	02-03-02
Mossberg 500/600 Grip	Camo-02-03-03
Winchester 1200/1300/1400 Grip	03-03-02
Winchester 1200/1300/1400 Grip	Camo-03-03-03
Ithaca 37 Grip	04-03-02
Ithaca 37 Grip	Camo-04-03-03
H&R/NEF 410/20/16/12	19-03-02
H&R/NEF 410/20/16/12	Camo-19-03-03
Mossberg 835	02-02-08
Mossberg 835	Camo-02-02-09

CHOATE PISTOL GRIP FORENDS

There are several advantages to having a Pistol Grip Forend. By holding the gun in a more natural position, it is easier to control and aim. It also protects the shooter's hand from slipping off the forend during rapid fire. These pistol grip forends are constructed of fiber reinforced polymer and will give a lifetime of shooting performance. Mossberg 835 forends are shorter than standard Mossberg 500 forends.

Remington 870 Pistol Grip Forend	01-02-04
Remington 870 Pistol Grip Forend	Camo-01-02-05
Mossberg 500/600 Pistol Grip Forend	02-02-04
Mossberg 500/600 Pistol Grip Forend	Camo-02-02-05
Winchester 1200/1300 Pistol Grip Forend	03-02-12
Winchester 1200/1300 Pistol Grip Forend	Camo-03-02-13

TOP FOLDING SHOTGUN STOCKS

Our top folding stocks make an excellent compact package. These stocks are custom fit and are of solid steel construction. This stock is operated with a simple push of a thumb button to lock it in either the open or closed position. This stock fits riot guns with rifle sights and ventilated rib barrels.

870 Top Folder	01-01-12
870 Top Folder	Camo-01-01-13
Moss. 500/600/590 Top Folder	02-01-12
Moss. 500/600/590 Top Folder	Camo-02-01-13
Win. 1200/1300/1400 Top Folder	03-01-12
Win. 1200/1300/1400 Top Folder	Camo-03-01-13



SIDE FOLDING SHOTGUN STOCKS

Our side folding shotgun stocks must be used with our minimum length spool forend, which is included with the folder kit. The folders are made of 4140 steel and fiberglass filled plastic. They come with a 1" recoil pad and sling loops. (*No forend with the Winchester-1400*)



870 Side Folder	Black-01-01-22
870 Side Folder	Camo-01-01-23
Moss. Side Folder 500/600/590	Black-02-01-22
Moss. Side Folder 500/600/590	Camo-02-01-23
Win. Side Folder	Black-03-01-22
Win. Side Folder	Camo-03-01-23
Ithaca 37 Side Folder	Black-04-01-22
Ithaca 37 Side Folder	Camo-04-01-23
Fabarms FP6 Folder	Black-15-01-01
Fabarms FP6 Folder	Camo-15-01-02

CHOATE MAGAZINE EXTENSION

Increase your fire power anywhere from 2 to 5 shells with our shotgun magazine extension kits. These extensions are great for law enforcement officers and competition shooters in reducing the time to reload. They are also a must for home protection.

These kits are constructed of solid blued steel and come with spring, base clamp & follower.

Kit includes : 1 Magazine Extension - (7,8, 9 or 10 shot), 1 Base Clamp & 1 High Visibility Shell Follower.

The new model Remington 870/1100/1187 shotguns have dimples that will have to be drilled out with 3/16 drill bit before the spring will extend up into the magazine extension.

The older model Remington 870/1100/1187 will readily accept our extensions without any alterations. No extensions for Mossberg 500/600/590/835.



Will Fit:

Remington 870/1100/1187

Mossberg 5500/9200 (9200 must have special shell follower)

Winchester 1200, 1300, Ranger 120 & Defender

7 Shot Model fits 18" barrel or longer.

8 Shot Model fits 20" barrel or longer.

9 Shot Model fits 24" barrel or longer.

10 Shot Model fits 26" barrel or longer.



(Sling Swivel base clamps included with all Magazine Extension Kits to add needed support. Remington Lightweight Extensions require our lightweight base clamps.)

Remington 870/1100/1187	7 Shot-01-04-02	Remington 870/1100/1187	8 Shot-01-04-03
Remington 870/1100/1187	9 Shot-01-04-04	Remington 870/1100/1187	10 Shot-01-04-05
Mossberg 5500	7 Shot-02-04-02	Mossberg 5500	8 Shot-02-04-03
Mossberg 5500	9 Shot-02-04-04	Mossberg 5500	10 Shot-02-04-05
Winchester 1200	7 Shot-03-04-02	Winchester 1200	8 Shot-03-04-03
Winchester 1200	9 Shot-03-04-04	Winchester 1200	10 Shot-03-04-05
		Fabarm FP6	7 Shot-15-04-02

MAGAZINE EXTENSIONS NOT SOLD AS KITS

Remington 870/1100 Lightweight	7 Shot-01-04-32	Remington 870/1100 Lightweight	8 Shot-01-04-33
--------------------------------	-----------------	--------------------------------	-----------------

PARKERIZED EXTENSIONS

Remington 870/1100/1187	7 Shot-Parkerized-01-04-06	Remington 870/1100/1187	8 Shot-Parkerized-01-04-07
Remington 870/1100/1187	9 Shot-Parkerized-01-04-08	Remington 870/1100/1187	10 Shot-Parkerized-01-04-09

EXTRA MAGAZINE EXTENSIONS SPRINGS

(If you intend to leave your shotgun loaded with the Spring Compressed, you will need an extra spring so they can be rotated to avoid losing their tension.)

7 & 8 Shot Extra Springs	60-09-11
7 & 8 Shot Extra Springs 20 ga. Lt. Wt. Spring	60-09-14
9 & 10 Shot Extra Springs	60-09-12



SLING SWIVEL BASE CLAMP KIT

Add strength to magazine extensions. These clamps come standard on all 9 & 10 shot extensions and are recommended for 7 & 8 shot extensions.

Rem. Win. Sling Swivel Base Clamp 1"	55-08-01
Rem. Win. Sling Swivel Base Clamp 1"	Park-55-08-02
Rem. Win. Sling Swivel Base Clamp 1-1/4"	55-08-04
Rem. Win. Sling Swivel Base Clamp 1-1/4"	Park-55-08-05
Light Weight Base Clamp 20 gauge 1"	55-08-07

CHOATE BOLT ACTION STOCKS

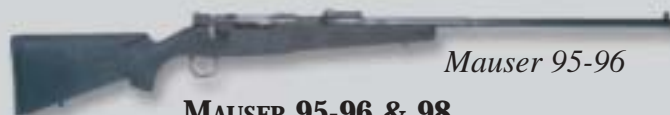
Savage 110 Stocks

This stock is for the long action like the 270, 30-06 and 7 MM mag. Made of fiberglass polymer with a rubber recoil pad and detachable studs.

Savage 110-E	06-06-02
Savage 110-E	Camo-06-06-03
Savage 110-E-S.S.	06-06-04
Savage 110-E-S.S.	Camo-06-06-05



Savage 110-E



Mauser 95-96

MAUSER 95-96 & 98

Our Mauser 95-96 & 98 are made from fiberglass filled polymer. These stocks come with a trigger guard, detachable studs and a rubber recoil pad. The barrel channel is made for the Military Issue Barrel, but can be inletted to some barrel contours. These stocks have blind bottom magazine boxes. There is no inletting for the original floor plate assembly. Just transfer your spring and follower. Center to center of the action screws for the 98 Mauser is 7.835 inches or 7 13/16 inches. Center to center of the action screws for the 95-96 Mauser is 7.620 inches or 7 5/8 inches.

Mauser 95-96 Stock	Black-10-06-02
Mauser 95-96 Stock	Camo-10-06-03
Mauser 95-96 Stock	Grey-10-06-04
Mauser 98 Stock	Black-10-06-12
Mauser 98 Stock	Camo-10-06-13
Mauser 98 Stock	Gray-10-06-14

SHOT SHELL CADDY

SHOT SHELL HOLDER

With our new shot shell caddy, you can carry extra shells virtually anywhere. These 2 shell holders come standard with a steel belt loop or plastic belt strap. You can mount them on your gun sling, your boat seat or carry them on your belt. The possibilities are endless. You can also mount several together for more shells. (*Will accept up to 1-3/4" belt*)

Shot Shell Holder-(Belt Loop Model)	60-09-50
Shot Shell Holder-(Back Plate Model)	60-09-51

COMPETITION SHELL HOLDER

Designed for the Shotgun Competitor. This shell holder fits on your belt for quick access to six 2 3/4 .12 gauge shells.

Shot Shell Caddy	60-09-22
------------------	----------



Shotshell Caddy

2-shell holder

CHOATE MACHINE & TOOL RECOIL COMPENSATOR



MINI-14 RECOIL COMPENSATOR

Choate Recoil Compensator for Mini-14 made of solid steel, bath blued or S.S. Both models sight looks like the original M-14 Sight. The compensator is permanently attached to the gun barrel by a 1/8 inch spring steel roll pin. We suggest this unit be installed by a gunsmith.

Mini-14 Cage	Blue-07-07-12
Mini-14 Stainless Steel	07-07-13



Encore Folder

ENCORE FOLDING STOCK

This is our new folding stock for the Encore rifle. It has cast steel arm and housing with 1 inch rubber butt pad. These stocks are made to take the beating of the magnum calibers that the Encore comes in. When folded it makes a very compact package for transport.

T/C Encore Folder
T/C Encore Folder

Black-09-01-08
Camo-09-01-09

ENCORE CONVENTIONAL STOCK & FORENDS

These stocks are the same ones we furnish to Thompson/Center Co. Like all of our stocks, they are covered by our life time warranty. The pronounced pistol grip on this stock helps reduce felt recoil by distributing part of it into your hand and arm, this allows you to take the recoil over a larger area, this is very helpful with the magnum calibers that the Encore is available in.

T/C Encore Butt Stock	<i>Black-09-01-40</i>
T/C Encore Butt Stock	<i>Camo-09-01-41</i>
T/C Encore Muzzle Loader Forend	<i>Black-09-02-14</i>
T/C Encore Muzzle Loader Forend	<i>Camo-09-02-15</i>
T/C Encore Rifle Forend	<i>Black-09-02-16</i>
T/C Encore Rifle Forend	<i>Camo-09-02-17</i>



Encore Muzzle Loader

T/C Contender Pistol



T/C CONTENDER SURVIVAL

The new T/C Contender Survivor stock gives you a place to carry ammo and supplies in the butt stock. The storage compartments are opened by removing the thumb screw on the back of the stock and hinging the butt plate down, this allows access to the two 7 1/2 inch deep by 2 inch tall by 1 inch wide compartments. This stock is our answer for the Contender fans that keep their carbine with them all the time. You can not use this stock with a barrel shorter than 16 inches.

T/C Contender Survival Stock	<i>09-01-12</i>
T/C Contender Survival Stock	<i>Camo-09-01-13</i>

T/C CONTENDER PISTOL GRIPS & FOREND

Our Contender Pistol Grips & Forends give the shooter the comfort and control you expect out of your pistol. The pistol grip features finger grooves and rubber inserts to reduce felt recoil. The toothpick forend is thin so your pistol is easy to carry and fits into large holsters better, these are available for both 10 and 14 inch barrels. This will not fit the 14 inch Bull barrel.

T/C Contender Grip	<i>09-03-02</i>
T/C Contender Grip	<i>Camo-09-03-03</i>
T/C Contender Forend 10" 1 Screw	<i>09-02-08</i>
T/C Contender Forend 10" 1 Screw	<i>Camo-09-02-09</i>
T/C Contender Forend 14" 2 Screw	<i>09-02-10</i>
T/C Contender Forend 14" 2 Screw	<i>Camo-09-02-11</i>



T/C Contender Survival Stock

T/C CONTENDER BUTT STOCK & FOREND

These are the same as we furnish to Thompson/Center Co. these stocks and forends make you Contender comfortable to shoot and you still have a compact, light and easy to handle rifle. Please specify 1 hole or 2 hole forend.

T/C Contender Conventional Stock	<i>Black-09-01-04</i>
T/C Contender Conventional Stock	<i>Camo-09-01-05</i>
T/C Contender Forend 1-Hole	<i>Black-09-02-04</i>
T/C Contender Forend 1-Hole	<i>Camo-09-02-05</i>
T/C Contender Forend 2-Hole	<i>Black-09-02-06</i>
T/C Contender Forend 2-Hole	<i>Camo-09-02-07</i>
T/C Contender Forend 2-Hole Bull Barrel	<i>Black-09-02-02</i>
<i>This forend fits the 14" bull barrel only.</i>	<i>Camo-09-02-03</i>



T/C CONTENDER FOLDING STOCK

The contender folding stock is the answer for contender users that want a small compact rifle that can be easily stored and made ready to shoot in just a second. With an all steel cast housing and hinge these stocks will take the hardest use you can dish out. Comes with a 1" rubber recoil pad and sling loops on bottom of the grip and the top of the folding housing. All BATF regulations must be complied with when using this stock.

T/C Contender Folding Stock	<i>Black-09-01-06</i>
T/C Contender Folding Stock	<i>Camo-09-01-07</i>
T/C Contender Folding Stock (S.S.)	<i>Black-09-01-10</i>
T/C Contender Folding Stock (S.S.)	<i>Camo-09-01-11</i>

CHOATE SMALL ACCESSORIES

LETTER OPENERS II

Made of exotic fiberglass filled plastic. These letter openers can be driven through 1/2 inch plywood with minimal damage, needing only to be re-sharpened. Measure 1 3/16 inch wide, 7 3/4 inch long and blade length of 4 1/2 inch. Weight only 2 ounces. These letter openers can be carried under a watch band, in a sock, shirt or jacket. It can also be worn on a lightweight cotton string around the neck or taped anywhere on the body.

Executive Letter Opener II *50-08-31*



EXECUTIVE ICE SCRAPER

Made of black fiber-filled plastic. Measures 2 5/8 inch wide, 3 1/2 inch long and 3/8 inch thick. These ice scrapers are held by inserting the middle finger in the hole, with rounded end in palm, making a fist. Can be used as ice scraper, key ring and ideal for ladies self-defense weapon. Lifetime warranty.

Executive Ice Scraper *50-08-11*



HIGH VISIBILITY SHELL FOLLOWER

Avoid spring failure by using one of our High Visibility Shell Followers. It will protect your spring and you will be able to tell from a glance if your gun is loaded or not with the Hunter Orange Color of the follower.

Remington 870/1100/1187 Shell Follower	<i>01-05-02</i>
Mossberg 500/600 Shell Follower	<i>02-05-02</i>
Winchester 1200/1300/1400 Shell Follower	<i>03-05-02</i>
Ithaca 37 Shell Follower	<i>04-05-02</i>



CHOATE'S E-2 STYLE STOCK FOR M-16 & AR-15

Here is an alternative to the G.I. Stock. Made of tough fiberglass polymer. This is the same material the army uses on their rifles. Our stock adds 3/4" to the length of pull and almost doubles the amount of storage space. This stock also features an "Off Hand" notch to grasp when firing from a prone position using a bipod. A butt plate is not included. The G.I. issue butt plate fits the stock.

M-16/AR-15 E-2 Butt Stock

16-01-02



CHOATE STEEL END CAPS FOR HK

Now you can replace your plastic end cap with a solid steel end cap from Choate. These end caps are made of 4140 steel and are blued to match your weapons finish. Install by simply inserting two pins. Recoil buffer installed.

Choate Steel End Cap for HK MP5K & SP-89

15-01-09



Mini-14 Extended Pad

EXTENDED BUTT PADS

This butt pad is made of a rubberized plastic material that really sticks to the shoulder. This pad also adds 1" to the length of the pull. Fits 10/22, Mini-14, Ruger 44 Mags. and Ruger #3 Single Shot.

10/22 Mini-14 Extended Butt pad

07-10-04



M-16/AR-15 Extended Butt Pad

The issue M-16/AR-15 stock is too short for some people. This pad lengthens the stock by 1 1/4". Made of black fiberglass filled plastic and installs in minutes using a screwdriver and a 5/32" allen wrench.

M-16/AR-15 Extended Butt pad

16-09-02



CLIP CONNECTORS

Now you can increase your fire power 100% with Choate's Magazine Clip Connectors. Constructed of two steel plates on front and back and a plastic filler blocks in the center.

This superior design has several advantages. Both clips point upward. This enables the shooter to use a bipod in a prone position without damaging the feed lips or getting dirt in the magazine. To load the second clip, just move the first clip over 1" and reinsert.

M-16/AR-15 Clip Connector

51-08-01

AK47 Clip Connector

51-08-06

H & R - N.E.F. HOME DEFENSE & SURVIVAL GUNS

These stocks fit 12, 16, 20, 28, .410 GA. and all rifles.

The H & R Survivor stock has a 3 1/2 x 7 x 1 inch storage compartment that lets you store ammunition or survival gear. The butt pad has a thumb screw that lets you swivel the pad to the side for easy access to the storage. Our Store-Arm forend has two storage compartments one 1 x 1 1/2 x 5 1/2 inches and one 1 x 1 1/2 x 3 inches. It has a thumb screw that lets you remove the forend to get to the storage and allows for quick disassembly of the gun.

We also offer a conventional-style stock and forearm for these guns. The stock has a rubber recoil pad and sling swivel studs.

For a compact home defense weapon you can put a pistol grip and store-arm forend together for an overall length of 26". The barrel must be 22", with the grip, in order to comply with BATEF.

H & R Survivor Stock	19-01-06	H & R Tamer FE	19-02-06
H & R Survivor Stock Camo	19-01-07	H & R Tamer FE (Does not have swivel stud)	Camo 19-02-07
H & R Store-Arm Forend	19-02-02	H & R Pistol Grip	19-03-02
H & R Store-Arm Forend	Camo 19-02-03	H & R Pistol Grip	Camo 19-03-03
H & R Conventional Stock	19-01-08	Tamer Buttstock .410 Model	19-01-12
H & R Conventional Stock	Camo 19-01-09	Tamer Buttstock .410 Model (holds 4 shells)	Camo 19-01-13
H & R Conventional Forend	19-02-04	Tamer Buttstock 20 Gauge Model	19-01-14
H & R Conventional Forend (Has 1 inch swivel stud)	Camo 19-02-05	Tamer Buttstock 20 Gauge Model (holds 3 shells)	Camo 19-01-15
H & R Youth Stock	19-01-24	Tamer Buttstock 12 Gauge Model	19-01-22
H & R Youth Stock	Camo 19-01-25	Tamer Buttstock 12 Gauge Model (holds 3 shells)	Camo 19-01-23
H & R Monte Carlo Stock	19-01-26		
H & R Monte Carlo Stock	Camo 19-01-27		



Survivor Stock Store-Arm Forend

Monte-Carlo Stock & Conventional Forend



*Choate Stock for H & R Tamer
.410 Model shown 4-shells*



THE ULTIMATE TARGET & SNIPER STOCK

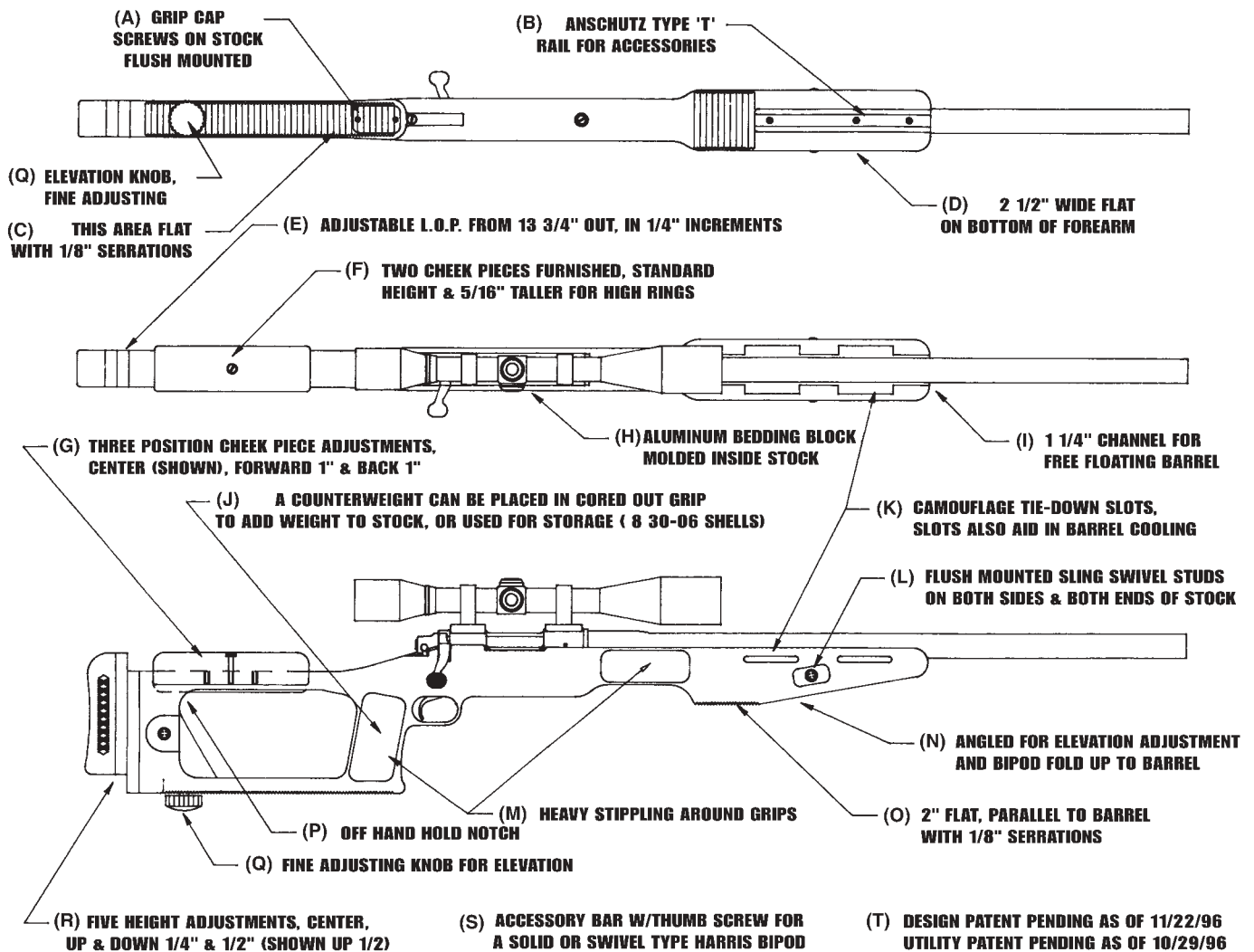
- * Design Patent Pending
- * Utility Patent Pending



*** DESIGNED AND ENDORSED BY
JOHN PLASTER**

Available for:

- Remington 700 Long Action, right & left hand
- Remington 700 Short Action, right & left hand
- Please specify ADL or BDL model
- Savage Model 110 & 10 Long Action, right & left hand
- Savage Model 110 & 10 Short Action, right & left hand
- Winchester model 70 current production (not Pre-64 model)



(A) The grip cap covers a storage area in the stock. For some snipers, the weight of the rifle is not a factor. And in some cases extra weight is wanted. If you need more weight to your stock you may pour the cored out area full of lead shot and screw the cap back on. It is also possible to put basic (pull through) cleaning kit in this area. We also noticed that eight 30-06 rounds will fit in the grip for emergency ammo.

(B) This "T" rail allows many accessories to be placed on your rifle. We furnish a solid steel "T" bar with a detachable sling swivel stud installed. This is for the mounting of a Harris bipod. Many other accessories may be mounted on this bar. The "T" bar has a quick detach thumb screw. Some snipers will want two bipods mounted, short for prone and tall for sitting position. Additional "T" bars are available at a nominal cost. Also any accessory that fits a Anschutz rifle will also fit this "T" rail.

(C) This area is flat to stabilize the rifle when shooting from a rest. It is 1 1/2" wide and heavily serrated. The elevation fine adjusting knob (Q) can be removed, leaving a 3/8 threaded hole and the stock totally flat on bottom.

(D) The forend is 2 3/8" wide to also assist in holding the rifle in a stable shooting position.

(E) The length of pull can be adjusted from 13 1/4" out. The stock comes with one 1/2" adjusting spacer. Additional spacers are available at a nominal cost. They come in 1/4, 1/2 and 3/4 inch in thickness. You will also get a set of longer screws when you order additional spacers. (note: we designed the stock, starting short, to fit the law enforcement snipers that must wear thick body armor.)

(F) The stock is furnished with two cheek pieces. The standard height is for low scope rings. The tall cheek piece is for the big lens scopes that require the tall rings.

(G) The position of the cheek piece is adjustable. There are three positions to accommodate all shooters. Also the cheek piece can be turned around for the left hand shooters.

(H) The bedding block is the most important part of the stock. The receiver of the rifle only touches the stock/bedding block in four places, both sides of the "V" in front and in back. The pillar blocks allow a 45/55 inch lbs. torque on the receiver screws which is not possible with wood or most synthetic stocks. The CNC machined bedding block is molded inside the stock, not fiberglassed in after the stock is made.

(I) The barrel channel is large enough to free float a 1 1/4" diameter bull barrel.

(J) See feature (A)

(K) The four slots are for the attaching of camo material. Most sniper experts agree that it adversely effects accuracy to attach camo to a barrel and there are no accommodations on most stocks for camo material. We haven't done any testing but common sense would tell you that the slots would also help dissipate barrel heat.

(L) These side mounted sling swivel studs go through a cored hole in the stock. In 'from rest' shooting, the conventional bottom mounted sling studs get in the way and are usually removed. Major Plaster explained to us, during the design phase of this stock, that a sniper crawling on his belly carries his rifle on top of his upper arm and/or across his back while holding the sling in his hand. A side mounted sling is perfect for this application.

(M) The stippling in the grip areas is unusually aggressive and rough to the touch. Major Plaster wanted it that way. Some shooters wear gloves and the rough texture is needed. If you want a smoother grip surface, sand the areas until the desired feel is found. The stock is about 1/4" thick in this area so don't worry about sanding the texture down. Also please notice that the front grip area is narrowed. It is this narrowed size to accommodate a one hand carry of the rifle. Major Plaster complained that most sniper/tactical stocks are very fat in this area and very difficult to carry one handed (suit case style) at the balance point. We fixed the problem.

(N) This section of the forearm had a pronounced angle for two reasons. When the bipod is folded up it doesn't leave a 2" gap between it and the barrel. The bipod feet are very near the barrel and will catch fewer limbs and twigs when crawling prone. The second reason for the angle is for quick elevation adjustment of the barrel when the forend is resting on a support. When you push the stock forward the barrel goes up. When you pull the stock back the barrel elevation is lowered. This is so simple that no one seems to have thought of it before or didn't think it was important enough to include on a stock.

(O) This flat surface, parallel to the barrel, is for the shooters that have/use sandbags. We are told that real snipers wait and watch much more than shoot. It is helpful if the rifle doesn't fall over every time you take your hands off the rifle. This area has heavy, 1/8", serrations as on the bottom of the butt area.

(P) This off hand holding notch has been on machine guns since before World War II. The advantage of this feature in a sniper stock is that you can now hold your butt stock on your shoulder with your off hand. This allows the trigger hand to relax and concentrate only on the trigger pull. This off hand hold has been proven to be beneficial over the years. It is a feature that the expensive, labor intensive, hand laid fiberglass stock makers find very difficult to incorporate into their design.

(Q) This is a fine adjusting screw for elevation. The bench rest shooters and prairie dog hunters will really like this feature. consider this, a one degree turn on this elevation screw will raise or lower the stock only .00017 of an inch. This is truly fine adjusting. This screw has about 2" of engagement and can be removed with ease when not needed. It is very easy to adjust with the thumb and index finger on either side of the stock. We have found, in the prototype stage of design, that the coarse adjustments can be made with the bipod legs and the 'spot-on' adjustment done with the screw.

(R) The rubber recoil pad has five height settings possible. The center setting lines up with the stock and there is two 1/4" positions up and two down. One of these five positions will surely meet your needs.

(S) The bipod "T" bar, mentioned in (B) is made from solid steel and is about 5" long and it will fit the swivel type or solid bipod. There are many different uses and applications for this accessory other than a bipod. If you have a need for a special accessory, your local gunsmith won't have any trouble duplicating the dimensions.

(T) We, Major John Plaster and Choate Machine & Tool, Inc., have a design patent pending as of 11/22/96 and a Utility patent pending as of 10/29/96.



There are some points of interest not mentioned above that we will mention here. The ULTIMATE SNIPER stock has our usual LIFE TIME WARRANTY. The stock is made of DuPont Rynite SST-35. It is one of the most expensive polymers and the most suitable for gun stocks if weight is not a consideration. We mold the stock in dark O.D. green color. Rynite takes paint very well so you can paint your stock with almost any automotive spray can paint. The available duck boat camo paint works very well. The rubber recoil pad is a little on the stiff side because it is much more durable at this durometer than a cushy pad, with a 3/4" compression, can allow a shooter to get a scope eye piece hit in the eyebrow. Hell, you could lose your scopes ZERO on a deal like that.

We predict that this stock will be a benchmark for sniper rifle stocks in the future. We have features that the hand laid fiberglass/kevlar stock makers cannot incorporate into their stocks. What we have done is eliminate most of the expensive hand labor and passed the savings on to you. We are keeping the price down so that most rifle owners can afford a stock. We realized the only way for this stock to sell enough to pay off the expensive tooling cost was to get the price low enough so the average guy can buy one. There aren't enough real snipers, military and police, to support this project if every one of them bought a stock. We think that there will be many deer rifles installed in this stock. Most shooters know what free floating the barrel and a bedding block does for a rifle, it closes the group to about 1/2 it's normal group.

We showed this stock for the first time at the 1997 SHOT show. We have never had a product that generated so much interest and excitement. Every dealer and distributor that saw it wanted to stock it. Major John Plaster did an outstanding job on this stock design and he gets full and total credit for it. We would like to mention his book THE ULTIMATE SNIPER. It is everything you ever wanted to know about sniper rifles and sniping. He has also produced two Videos on sniping that go into great visual detail on sniping and the equipment. His latest book is about his three tours in Viet Nam with the Special Forces. The book title is S.O.G. You can purchase these books and videos from Delta Group. Their order number is 1-800-852-4445. For information concerning stocks call us at 1-800-972-6390.

THE ULTIMATE VARMINT STOCK

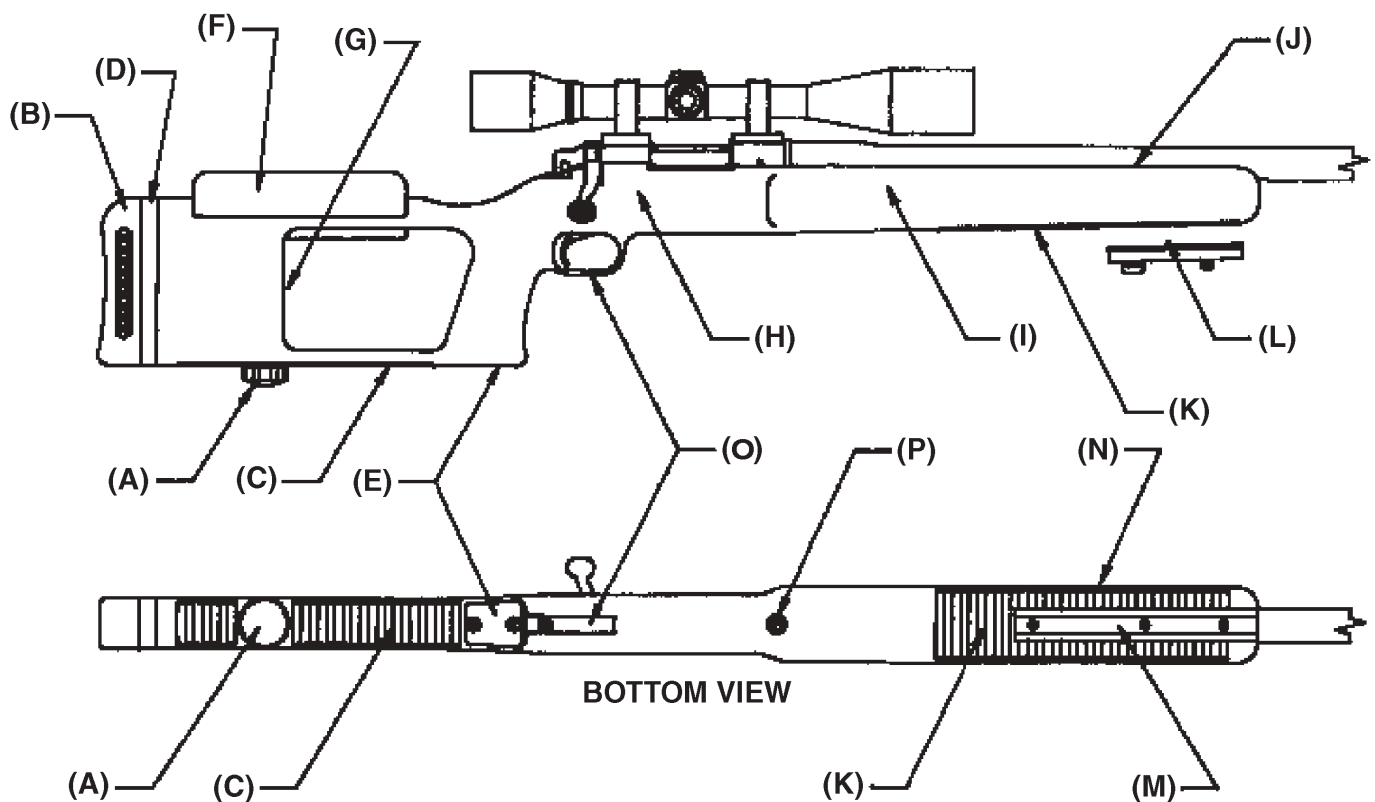


Available for:

- Remington 700 Long Action, right & left hand
- Remington 700 Short Action, right & left hand
- Please specify ADL or BDL model
- Savage 110 & 10 Long Action, right & left hand
- Savage 110 & 10 Short Action, right & left hand
- Winchester model 70 current production (not Pre-64 model)



*** DESIGNED BY MAJ. JOHN PLASTER U.S. ARMY RET., ONE OF THE WORLDS LEADING AUTHORITY & INSTRUCTORS IN LONG RANGE VERY ACCURATE SHOOTING**



- (A) This is the elevation adjusting knob. If you are on a hard surface you can use it without the block. If you are in the field we suggest you can carry a 2" x 4" x 6" wood block. You can make your coarse adjustment with your bipod and one of the block heights will put you in your adjusting range of the screw. The screw removes completely one degree rotation for seventeen millionths of an inch. You can get really fine on your elevation adjustment.
- (B) This is a 1 inch thick rubber recoil pad. If you are shooting a big caliber rifle you will appreciate this 'cushy' pad.
- (C) This area has coarse 1/8" serrations. These are to assist in holding the rifle in place while shooting from sand bags. This area is also flat bottom. The rifle sits upright, it doesn't have to be held constantly.
- (D) This is a 1/2" spacer that can be removed for a shorter length of pull. Your stock will come with 1/4", 1/2" and 3/4" spacers and the screw set to give you many combinations of length of pull you need. The spacer blocks are interlocking (nesting) so alignment is assured.
- (E) The grip cap is held in place by two screws. Inside the grip is a void to save plastic. This can be used to insert a counter weight if you need more stock weight, or you can put emergency ammo in the grip. It will hold 8 rds. of 30-06 ammo or what ever.
- (F) This stock comes with two cheek pieces. You get a regular height and 5/16" taller. The taller cheek piece is for the people who use the big objective lens scopes and then have to use the tall rings. You have the option of three locations, center, forward and back. You also have the option of reversing the cheek pieces if you are left handed. The cheek pieces are thick so you can shave, grind or sand them into a custom height or contour.
- (G) This is the off-hand notch. We learned this trick from the German MG-42 machine gun. We also designed and built the new NAVY/MARINE M-240 machine gun stock with this same feature. When you use a bipod or shoot from a sand bag you can use both hands to hold the butt of the rifle in place and steady on your shoulder.
- (H) Molded inside the stock is a bedding block that is C.N.C. machined from a solid billet of aluminum. The receiver screws are also supported by solid aluminum pillars that are part of the bedding block/forearm insert. The rest of this machined part is the 'U' channel (I) that is molded into the forearm barrel channel. This adds rigidity and stability to the forearm area that had never been accomplished before in a molded stock. The bedding block, support pillars and barrel 'U' channel (I) are all one piece. Anyone that has any experience in machining or stock making will tell you that this is the very best way to make a rifle stock.
- (I) Like (H), this is the forearm 'U' channel that is molded into the stock for rigidity. It is welded to the bedding block.
- (J) The barrel channel is 1 1/4" wide. This will assure that any production rifle barrel will be free floating. This clearance ensures that your receiver only touches your stock in five places, both sides of the front and back 'V' bedding block and the recoil lug area. If you have a custom rifle barrel that is larger than 1 1/4" you can simply inlet it as you would a wooden stock.
- (K) This area has coarse 1/8" serrations to retard the rifle from sliding or slipping on sand bags.
- (L) This feature is a quick detach bipod adaptor. We have a patent on this design. It fits a Anschutz type rail imbedded in the bottom of the forearm. You can now install or detach your bipod in seconds. Simply turn the thumbscrew and slide it in or out. Some Law Enforcement officers and varmint hunters will really appreciate this feature. You have the option of using a bipod to shoot from a sand bag, you can have a short leg bipod for prone shooting and a long bipod for shooting in tall grass from a sitting position. All these options can be done in a few seconds. The bipod adaptors are designed for the very well engineered Harris bipods. Extra adaptors are available, contact us at 1-800-972-6390.
- (M) This is the bipod adaptor rail. The rail is flush with the bottom of the forearm and held in place with three #10 machine screws. An endless variety of accessories can be put into this port from the bipod, to night light, to you name it.
- (N) The forearm is 2 7/16" wide. This helps the rifle stability while shooting from sand bags or a solid horizontal rest.
- (O) The trigger guard is molded in place as part of the stock. It is larger than usual to allow the shooter to wear gloves when necessary.
- (P) We furnish you with a new set of receiver screws. They are grade 8 Tool and Die quality hex socket machine screws. They should be torqued to 50 to 60 inch pounds (NOT FOOT POUNDS) of torque. Without the aluminum bedding pillars this would not be possible. Try this in a wood or plastic stock and you will split it wide open. This high torque assures that your rifle and new Choate stock are bolted together until you want them apart.

ADDITIONAL INFORMATION

Our new Ultimate Sniper and Ultimate Varmint Stocks have our usual lifetime warranty. They are made out of 20% fiberglass filled polymer. If you break your stock, send it back, we want to see it. Plus you will get a new one, free.

Major John Plaster, the stock designer, has done his usual fantastic job in design. His work has made him a legend in his own lifetime. We hope you will agree with us and realize that this stock is a run-away good deal. As far as we know we are the only company that offers a inject molded varmint stock. The only alternative to our stock is wood or the very expensive hand laid fiberglass stocks that are foam filled. What we have done is invest in very expensive, complicated and high tech tooling that eliminates all of the expensive hand labor. We pass the saving on to you. It's simply 21st. Century technology saving you money. We will attempt to answer some of the most asked questions in advance. Some are brand specific and may not apply to your rifle.

Q. "How much does the stocks weigh?"

A. *The Varmint weighs about 4 pounds and the Sniper weighs 6 pounds. Additional weight can be added in the grip area, inside the butt and the barrel channel. Epoxy and lead shot make a good weight and you can dig it out if you change your mind.*

Q. "What is the difference between the Remington ADL & the BDL rifles?"

A. *The BDL, their deluxe rifle, has a hinged floor plate assembly. This allows you to remove ammunition through the bottom of your rifle. The ADL has a trigger guard only with out the hinged floor plate. The magazine well on the ADL is blind bottom & does not open to the bottom side of the rifle. All of the rifle manufacturers make a less expensive model with a blind bottom magazine well. Our stock also has a blind bottom magazine well. This way we can make a stock for both models without doubling our inventory. If you can't live without a hinged floor plate your local gunsmith will be glad to custom fit one to your stock just like installing it in a wooden stock. But don't ask us, we don't do custom work.*

Q. "How do you install the shell follower & spring in the new stock?"

A. *Place it in the new stocks molded-in magazine well and set the rifle on top. Make sure it moves freely before you tighten and torque the screws down.*

Q. "Will we ever make this stock for the Mauser or Ruger Mod. 77?"

A. *Probably not, the Mauser trigger is located too far forward to fit our mold design. The Mauser would require a custom made trigger with about 1/2" off-set to the back. The Ruger 77 has the front receiver screw going in on a 45 deg. angle. It won't work with our stock design without some additional & difficult machining. If the Ruger Mod. 77 gets real popular we will consider it at a later date.*

Here are some dimensions that might help you identify your receiver length. These are the distances between the two receiver screws.

Remington	short action	6.500	/	long action	7.350
Winchester	"	7.031	/	"	7.570
Savage	"	4.275	/	"	5.062

Q. "Do you make or plan to make; a stock for the Savage series 'J' rifle made between 1978 & 1985 that has a bolt spread of 4.500; the pre-64 Winchesters / the Winchesters left hand rifles / the Winchester, Savage & Remington long action detachable magazine rifles?"

A. *No, sorry, the demand is not great enough to justify the tooling expense or to add more models to our inventory. Example, some nice gentleman wanted a varmint stock for his WWI French Label. We have had two inquiries about a stock for the Lee Enfield that have the two piece stock. Give us a break guys. There are some things that just can't happen, even if you are rich.*

Q. "Can I put my BDL or ADL rifle in to one of the Detachable magazine stocks so I can use detachable magazines?"

A. *No, the feed lips on the BDL and ADL rifles are cut into the bottom of the action and the feed lips on the detachable mag. rifles are in the magazine itself.*

**All stocks comes with 2 screws. The short bolt is attached on the front of the action and the longer bolt is used in the back of the action, close to the grip. Always tighten the front bolt first.*