

The background of the cover features a close-up, high-angle view of several firearms. A large, black AR-style rifle with a handguard and a magazine is the central focus. To its left, a semi-automatic pistol with a black frame and a bright orange grip is visible. The firearms are set against a dark, textured background. A green horizontal band runs across the top of the image, containing the catalog title. The Rock River Arms logo is centered, featuring a crosshair design behind the text. The text 'Rock River Arms, Inc.' is in white and green, with 'MADE IN U.S.A.' in smaller white text below it.

**Retail Catalog**  
**January 2008**

**ROCK**  
**RIVER**  
**ARMS, INC.**<sup>®</sup>

MADE IN U.S.A.

**Custom Rifles, Pistols,  
Parts and Accessories**



In 1996, brothers Mark and Chuck Larson founded Rock River Arms in an 1,800 square foot shop in Cleveland, Illinois. Mark and Chuck together brought over 40 years of varied experience in the firearms manufacturing industry into their new endeavor. Rock River Arms soon developed a reputation as one of the finest builders of hand fitted custom 1911 pistols, and their NM frames and slides set a new industry standard for tight tolerances, fit and finish.

The brothers soon turned their manufacturing expertise and attention to detail into producing custom .223 caliber "AR" style rifles. Their initial focus on tightening up tolerances and improving the fit, finish and reliability of their rifles was rewarded as the Rock River Arms NM A2 Rifle quickly gained popularity among high-power shooters.

Today, operating out of a state-of-the-art 12,000 square foot facility in Colona, Illinois, the company is producing a full line of custom rifles, pistols, parts and accessories, all built with the same focus on providing the finest fit, finish and function at a reasonable price.

The quality and reliability of Rock River Arms firearms continues to win new admirers. The U.S. Drug Enforcement Agency (DEA) and Federal Bureau of Investigation (FBI) recently put a variety of different manufacturers rifles through an exhaustive trials process, and based on those trials awarded Rock River Arms with a 5 year contract as their primary supplier.

Rock River Arms is one of the fastest growing firearms manufacturers in the country, but remains committed to continuing to provide it's civilian, law enforcement and military customers with the kind of custom products and services on which it's reputation has been built.

## **RRA Warranty Information**

Rock River Arms offers the following warranties on its products: Complete Rifles, Upper Halves, and Lower Halves carry a Limited Lifetime Warranty against failure of factory parts and labor. Complete Custom Pistols carry a One Year Limited Warranty against failure of factory parts and labor. If you have any questions concerning the warranty on your Rock River Arms rifle, upper half, lower half or pistol, please call Rock River Arms for clarification.

## **Assault Weapon Ban Sunset**

With the sunset of the "assault weapons ban" in 2004, Rock River Arms is pleased to offer rifles with previously banned features to most of our customers. Some states, counties, and municipalities have enacted laws similar to the federal ban. Please check all applicable laws in your city and state before ordering to avoid any potential legal problems. Rock River Arms continues to offer rifles and subassemblies in configurations consistent with the requirements of the prior ban. Please call Rock River Arms for pricing and availability on Ban Compliant models.

## **Laser Logo Engraving**

We are now laser engraving Rock River Arms Inc. on all our upper receivers.

All of our factory-built complete upper halves and complete rifles are engraved with Rock River Arm's trademarked logo.



Once submitted, all orders are final, changes requested after submission, including configuration, subs, etc., will result in a \$25 reprocessing charge. See our website for Shipping and Handling charges. All pistol orders require a \$200 non-refundable deposit. Custom serial numbers, if available, cost \$50 and require a \$250 non-refundable deposit.

Complete rifles shown with standard accessory package. All orders must comply with all applicable Federal, State and Local laws. All prices, configurations and specifications subject to change without notice.

**Visit our Online Showroom at [www.rockriverarms.com](http://www.rockriverarms.com)  
for all the latest product information and Secure Online Ordering!**

# **Rock River Arms, Inc.**

**1042 Cleveland Road • Colona, IL 61241 • Toll Free Order Line: 866-980-ROCK (7625)**

**Tel: 309-792-5780 • Fax: 309-792-5781 • Email: [info@rockriverarms.com](mailto:info@rockriverarms.com)**



**RRA LAR-15™**  
**.223/5.56 Caliber**  
 Pages 5 through 17



**RRA LAR-6.8™**  
**6.8 SPC Caliber**  
 Page 24



**RRA LAR-458™**  
**.458 SOCOM Caliber**  
 Page 25



**RRA LAR-8™**  
**.308/7.62 Caliber**  
 Page 26



**RRA LAR-9™**  
**9mm Caliber**  
 Page 27 through 29



**1911 Style**  
**RRA Custom Pistols**  
 Page 47 through 52

<b>RRA Logo Gear and Gifts</b>	4
<b>RRA LAR-15™ Pro-Series Rifle Packages</b>	5 / 7
<b>RRA LAR-15™ Custom Rifles - .223 Caliber</b>	8 / 17
<b>Complete Upper Halves - .223 Caliber</b>	18 / 22
<b>NM Upper Halves and NM Parts</b>	23
<b>RRA LAR-6.8™ 6.8mm SPC Rifles and Upper Halves</b>	24
<b>RRA LAR-458™ .458 SOCOM Rifle and Upper Half</b>	25
<b>RRA LAR-8™ .308 Caliber Rifles</b>	26
<b>RRA LAR-9™ 9mm Rifles, Upper Halves and Parts</b>	27 / 29
<b>Barrel Assemblies and Barrel Assembly Parts</b>	30 / 31
<b>Upper Receivers and Upper Receiver Parts</b>	32 / 33
<b>Lower Receivers and Lower Receiver Parts</b>	33 / 34
<b>Buttstocks and Related</b>	35
<b>Handguards, Rail Systems and Related</b>	36 / 37
<b>Accessories</b>	38 / 44
<b>RRA LAR-15™ and RRA LAR-9™ Pistols &amp; Upper Halves - .223 &amp; 9mm</b>	45 / 46
<b>RRA Custom 1911 Style Pistols</b>	47 / 52
<b>RRA 1911 Pistol Parts</b>	53 / 55





## RRA Logo Hooded Sweatshirts

- Camo Hooded Sweatshirts**  
 Medium, Large, X-Large . . . . . CL0206 **\$30**  
 XX-Large, XXX-Large . . . . . CL0207 **\$36**
- Solid Color Hooded Sweatshirts - Colors vary**  
 Medium, Large, X-Large . . . . . CL0102 **\$30**  
 XX-Large, XXX-Large . . . . . CL0103 **\$36**



## Embroidered RRA Logo Caps

High quality caps with embroidered Rock River Arms logo.  
 RRA Logo Cap - Colors vary. . . . . CL0903 **\$6**



## RRA Logo T-Shirts

- Camo Short Sleeve T-Shirts**  
 Medium, Large, X-Large . . . . . CL0204 **\$16**  
 XX-Large, XXX-Large . . . . . CL0205 **\$18**
- Solid Color Short Sleeve T-Shirts - Colors vary**  
 Medium, Large, X-Large . . . . . CL0201 **\$12**  
 XX-Large, XXX-Large . . . . . CL0200 **\$14**
- Solid Color Long Sleeve T-Shirts - Colors vary**  
 Medium, Large, X-Large . . . . . CL0401 **\$18**  
 XX-Large, XXX-Large . . . . . CL0402 **\$20**



## RRA Logo Sweatshirts

Medium, Large, X-Large - Colors vary . . . . . CL0101 **\$18**  
 XX-Large, XXX-Large - Colors vary . . . . . CL0104 **\$25**



## RRA Logo Tank Tops

Available in Medium, Large, X-L, XX-L and XXX-L.  
 Colors vary . . . . . CL0301 **\$10**



## RRA Logo Coolie Can Insulators

Colors vary.  
 RRACOOOLIE . . . . . **\$2**

RRA LOGO GEAR & GIFTS

DEA

One tough, reliable firearm.  
Just ask the DEA.

EOTech 552 HoloSight

Flip-up Rear Sight

RRA Forged A4  
Upper Receiver

6-position  
Tactical CAR Stock

RRA Mil-Spec Forged Lower Receiver  
Mil-Spec Internals

Hogue Rubber Grip

RRA NM Two Stage Trigger

Chrome Lined  
1:9 Twist Barrel

Side Mount Sling Swivel

SureFire M73 Quad Rail Handguard  
SureFire M951 WeaponLight

# The Pro-Series Government

It's been kicked, beaten and stepped on, yet it still comes back for more. The DEA awarded Rock River Arms with a 5 year contract proving Rock River Arms LAR-15™ to be more rugged and reliable than the competition. If you are looking for one tough, reliable firearm, look no further . . .

## The Pro-Series Government.

### The Pro-Series Government Package

With VTAC Sling, Eagle Discreet Rifle Case, Cleaning Kit, One 30 Round Mag, Manual and RRA Warranty.

GOVT1001 ..... **\$2,290**

### STANDARD CONFIGURATION

CALIBER	.223/5.56mm NATO Chamber
UPPER RECEIVER	Forged A4
BARREL	Chrome Lined 16" Chrome Moly, 1:9 Twist
MUZZLE DEVICE	A2 Flash Hider / 1/2-28 Thread
TRIGGER	Two Stage Match
REAR SIGHT	Flip-up Rear Sight
PISTOL GRIP	Hogue Rubber
BUTTSTOCK	6-Position Tactical CAR Stock
HANDGUARD	SureFire M73 Quad Rail
LIGHT SYSTEM	SureFire M951 WeaponLight
SIGHT	EOTech 552 HoloSight
WEIGHT / LENGTH	8.2 Pounds / 36 Inches
ACCURACY	1.5 MOA at 100 Yards

Substitutions are not available on RRA Pro-Series Rifle Packages.

# PRO-SERIES TASC

Smith Vortex Flash Hider  
 Chrome Lined  
 1:9 Twist Barrel

SureFire M85 Mid-Length  
 Tactical Rail Handguard

Graphite Fore Grip

EOTech 511 HoloSight

Midwest Industries  
 A2 Adjustable Cantilever Mount

RRA Forged A2  
 Upper Receiver

Lockable Windage &  
 Elevation Rear Sight

## The Pro-Series TASC

### The Pro-Series TASC Package

Comes complete with Five 30 Round Mags,  
 Eagle Discreet Rifle Case, Manual  
 and RRA Warranty ..... AR1741 **\$2,000**

### STANDARD CONFIGURATION

CALIBER	.223/5.56mm NATO Chamber
UPPER RECEIVER	Forged A2
BARREL	Chrome Lined 16" Chrome Moly, 1:9 Twist
MUZZLE DEVICE	Smith Vortex Flash Hider / 1/2-28 Thread
TRIGGER	Two Stage Match
TRIGGER GUARD	Winter Trigger Guard
REAR SIGHT	A2 with Lockable Windage & Elevation
PISTOL GRIP	Hogue Rubber
BUTTSTOCK	6-Position Tactical CAR Stock
HANDGUARD	SureFire M85 Mid-Length Quad Rail
FORE GRIP	Graphite Fore Grip
SIGHT	EOTech 511 HoloSight
SIGHT MOUNT	Midwest Industries A2 Adjustable Cantilever
WEIGHT / LENGTH	8.7 Pounds / 36.5 Inches
ACCURACY	1.5 MOA at 100 Yards

Substitutions are not available on RRA Pro-Series Rifle Packages.

RRA NM Two Stage Trigger  
 RRA Winter Trigger Guard

Hogue Rubber Grip

RRA Mil-Spec Forged Lower Receiver  
 Mil-Spec Internals

6-position  
 Tactical CAR Stock

RRA Tactical Muzzle Brake

Chrome Lined  
1:9 Twist Barrel

Flip Front Sight Gas Block Assembly  
MWI Front Sling Adapter

Daniel Defense 12.0 FSPM Quad Rail Handguard

SureFire M910A-WH Vertical  
Foregrip WeaponLight

Aimpoint Comp M2 Sight  
Aimpoint QRP Mount & Spacer

RRA Forged A4 Upper Receiver

A.R.M.S. #40L  
Flip-up Rear Sight

Badger Tactical Latch

MWI End Plate  
Adapter Loop

# The Pro-Series ELITE

## The Pro-Series ELite Package

Comes complete with Five 30 Round Mags,  
Eagle Discreet Rifle Case, Manual  
and RRA Warranty ..... AR1731 **\$2,895**

### STANDARD CONFIGURATION

CALIBER	.223/5.56mm NATO Chamber
UPPER RECEIVER	Forged A4
BARREL	Chrome Lined 16" Chrome Moly, 1:9 Twist
MUZZLE DEVICE	RRA Tactical Muzzle Brake / 1/2-28 Thread
GAS BLOCK	Flip Front Sight Gas Block Assembly
TRIGGER	Two Stage Match
TRIGGER GUARD	Winter Trigger Guard
REAR SIGHT	A.R.M.S. #40L Low Profile Flip-up Rear Sight
PISTOL GRIP	ERGO Sure-Grip
BUTTSTOCK	6-Position Tactical CAR Stock
FRONT SLING MOUNT	MWI Front Sling Adapter
REAR SLING MOUNT	MWI CAR Stock End Plate Adapter Loop
HANDGUARD	Daniel Defense 12.0 FSPM Quad Rail Handguard
FORE GRIP	SureFire M910A-WH Vertical Foregrip WeaponLight
SIGHT & MOUNT	Aimpoint Comp M2, QRP Mount and Spacer
WEIGHT / LENGTH	9.5 Pounds / 36 Inches
ACCURACY	1.5 MOA at 100 Yards

Substitutions are not available on RRA Pro-Series Rifle Packages.

RRA NM Two Stage Trigger

RRA Winter Trigger Guard

ERGO Sure-Grip

RRA Mil-Spec Forged Lower Receiver  
Mil-Spec Internals

6-position  
Tactical CAR Stock



# NEW FOR 2008!

RRA Tactical Muzzle Brake

Chrome Lined

1-9 Twist Barrel

RRA Flip Front Sight

Gas Block Assembly

New RRA Half Quad Free Float  
Mid-Length Handguard

RRA Forged A4  
Upper Receiver

RRA Mil-Spec Forged Lower Receiver  
Mil-Spec Internals

PADS Flip Rear Sight

## Elite Comp

Standard Configuration..... AR1270 **\$1,445**

### STANDARD CONFIGURATION

CALIBER	.223/5.56mm NATO Chamber
UPPER RECEIVER	Forged A4
BARREL	Chrome Lined 16" Chrome Moly, 1:9 Twist
MUZZLE DEVICE	RRA Tactical Muzzle Brake / 1/2-28 Thread
GAS BLOCK	RRA Flip Front Sight Gas Block Assembly
TRIGGER	Two Stage Match
TRIGGER GUARD	Winter Trigger Guard
SAFETY SELECTOR	Star
REAR SIGHT	PADS Flip Rear Sight
PISTOL GRIP	ERGO SureGrip
BUTTSTOCK	Magpul CTR Stock
HANDGUARD	RRA Half Quad Free Float Mid-Length
WEIGHT	8.4 Pounds
LENGTH	36.75 Inches
ACCURACY	1.5 MOA at 100 Yards
INCLUDED	One Mag, Safe Case, Manual, Warranty

Magpul  
CTR Stock

RRA NM Two Stage Trigger

RRA Winter Trigger Guard

ERGO SureGrip

### OPTIONS & UPGRADES

Substitute Hogue Rubber Pistol Grip	No Charge
Substitute Badger Tactical Latch on Charging Handle	Add \$23
Substitute PRi Gas Buster Charging Handle	Add \$65
Substitute Ambidextrous Safety Selector	Add \$25
Substitute Ambidextrous Mag Catch	Add \$88



R-4 Barrel Profile

AR1251 shown with  
Tactical Carry Handle

Detachable Side Mount  
Sling Swivel

# Entry Tactical

RRA  
Two Stage  
Match Trigger

Hogue Rubber Grip

Tactical  
CAR Stock

## With 16" Chrome Moly R-4 Barrel, 1:9 Twist

- Without Carry Handle or Mount. . . . . AR1252 **\$935**
- With A2 Carry Handle Assembly . . . . . AR1253 **\$980**
- With Tactical Carry Handle Assembly . . . . . AR1251 **\$1,015**
- With Dominator2 EOTech Mount. . . . . AR1250 **\$1,025**

## With CHROME LINED 16" Chrome Moly R-4 Barrel, 1:9 Twist

- Without Carry Handle or Mount. . . . . AR1256 **\$975**
- With A2 Carry Handle Assembly . . . . . AR1257 **\$1,020**
- With Tactical Carry Handle Assembly . . . . . AR1255 **\$1,055**
- With Dominator2 EOTech Mount. . . . . AR1259 **\$1,065**

### STANDARD CONFIGURATION

CALIBER	.223/5.56mm NATO Chamber
UPPER RECEIVER	Forged A4
MUZZLE DEVICE	A2 Flash Hider / 1/2-28 Thread
TRIGGER	Two Stage Match
SAFETY SELECTOR	Star
PISTOL GRIP	Hogue Rubber
HANDGUARD	R-4 Handguard with Double Heat Shields
BUTTSTOCK	6-Position Tactical CAR Stock
WEIGHT / LENGTH	7.5 Pounds / 36 Inches
ACCURACY	1 MOA at 100 Yards
INCLUDED	One Mag, Safe Case, Manual, Warranty

Lockable Windage and  
Elevation Rear Sight

AR1215 - With R-4 Handguard  
and A2 Buttstock

Hogue Rubber Grip

AR1241 - With Mid-Length Handguard  
and 6-Position Tactical Stock

# TASC Rifle

RRA  
Two Stage  
Match Trigger

### STANDARD CONFIGURATION

CALIBER	.223/5.56mm NATO Chamber
UPPER	Forged A2, Lockable Windage & Elevation Rear Sight
BARREL	16" Chrome Moly, 1:9 Twist
MUZZLE DEVICE	A2 Flash Hider / 1/2-28 Thread
TRIGGER	Two Stage Match
SAFETY SELECTOR	Star
PISTOL GRIP	Hogue Rubber
WEIGHT / LENGTH	7.5 Pounds / 35.25 Inches
ACCURACY	1 MOA at 100 Yards
INCLUDED	One Mag, Safe Case, Manual, Warranty

## With R-4 Handguard

- With A2 Buttstock . . . . . AR1215 **\$950**
- With 6-Position Tactical Stock . . . . . AR1216 **\$965**

## With Mid-Length Handguard

- With A2 Buttstock . . . . . AR1240 **\$950**
- With 6-Position Tactical Stock . . . . . AR1241 **\$965**

### OPTIONS & UPGRADES

Substitute Green Furniture	Add \$10	Substitute Quad Rail Aluminum Free Float, Mid-Length	Add \$125
Substitute A2 Buttstock or Entry Buttstock	No Charge	Substitute SureFire M73 Tactical Rail, CAR	Add \$195
Substitute ACE ARFX-E Stock (for 6-Position Stock)	Add \$20	Substitute Daniel Defense Quad Rail 9.5FSP, CAR	Add \$320
Substitute Magpul CTR Stock (for 6-Position Stock)	Add \$85	Substitute Smith Vortex Flash Hider	Add \$54
Substitute ERGO Pistol Grip	No Charge	Substitute Badger Tactical Latch on Charging Handle	Add \$23
Substitute Quad Rail Aluminum Free Float, CAR Length	Add \$120	Substitute PRi Gas Buster Charging Handle	Add \$65



# Tactical CAR A4

## STANDARD CONFIGURATION

CALIBER	.223/5.56mm NATO Chamber
UPPER RECEIVER	Forged A4
MUZZLE DEVICE	A2 Flash Hider / 1/2-28 Thread
TRIGGER	Two Stage Match
SAFETY SELECTOR	Star
PISTOL GRIP	Hogue Rubber
HANDGUARD	R-4 Handguard
BUTTSTOCK	6-Position Tactical CAR Stock
WEIGHT	7.5 Pounds
LENGTH	36 Inches
ACCURACY	1 MOA at 100 Yards
INCLUDED	One Mag, Safe Case, Manual, Warranty

### With 16" Chrome Moly Barrel, 1:9 Twist

Without Carry Handle or Mount	AR1201	\$935
With A2 Carry Handle Assembly	AR1202	\$980
With Tactical Carry Handle Assembly	AR1200	\$1,015
With Dominator2 EOTech Mount	AR1204	\$1,025

### With CHROME LINED 16" Chrome Moly Barrel, 1:9 Twist

Without Carry Handle or Mount	AR1207	\$975
With A2 Carry Handle Assembly	AR1208	\$1,020
With Tactical Carry Handle Assembly	AR1206	\$1,055
With Dominator2 EOTech Mount	AR1210	\$1,065



# Elite CAR A4

## STANDARD CONFIGURATION

CALIBER	.223/5.56mm NATO Chamber
UPPER RECEIVER	Forged A4
MUZZLE DEVICE	A2 Flash Hider / 1/2-28 Thread
TRIGGER	Two Stage Match
SAFETY SELECTOR	Star
PISTOL GRIP	Hogue Rubber
HANDGUARD	Mid-Length Handguard
BUTTSTOCK	6-Position Tactical CAR Stock
WEIGHT	7.7 Pounds
LENGTH	36 Inches
ACCURACY	1 MOA at 100 Yards
INCLUDED	One Mag, Safe Case, Manual, Warranty

### With 16" Chrome Moly Barrel, 1:9 Twist

Without Carry Handle or Mount	AR1226	\$935
With A2 Carry Handle Assembly	AR1227	\$980
With Tactical Carry Handle Assembly	AR1225	\$1,015
With Dominator2 EOTech Mount	AR1224	\$1,025

### With CHROME LINED 16" Chrome Moly Barrel, 1:9 Twist

Without Carry Handle or Mount	AR1231	\$975
With A2 Carry Handle Assembly	AR1232	\$1,020
With Tactical Carry Handle Assembly	AR1230	\$1,055
With Dominator2 EOTech Mount	AR1234	\$1,065

## OPTIONS & UPGRADES

Substitute Green Furniture	Add \$10	Substitute Quad Rail Aluminum Free Float, CAR Length	Add \$120
Substitute A2 Buttstock or Entry Buttstock	No Charge	Substitute Quad Rail Aluminum Free Float, Mid-Length	Add \$125
Substitute ACE Skeleton ARFX-E Stock	Add \$20	Substitute SureFire M73 Tactical Rail, CAR	Add \$195
Substitute Magpul CTR Stock	Add \$85	Substitute SureFire M85 Tactical Rail, Mid-Length	Add \$195
Substitute RRA Half Quad Free Float, Mid-Length	Add \$125	Substitute Daniel Defense Quad Rail 9.5FSP, CAR	Add \$320



# Tactical CAR UTE2

Standard Configuration ..... AR1205 **\$1,000**

## STANDARD CONFIGURATION

CALIBER	.223/5.56mm NATO Chamber
UPPER RECEIVER	Forged UTE2 - Universal Tactical Entry
BARREL	16" Chrome Moly, 1:9 Twist
MUZZLE DEVICE	A2 Flash Hider / 1/2-28 Thread
TRIGGER	Two Stage Match
SAFETY SELECTOR	Star
PISTOL GRIP	Hogue Rubber
HANDGUARD	R-4 Handguard
BUTTSTOCK	6-Position Tactical CAR Stock
WEIGHT	7.5 Pounds
LENGTH	36 Inches
ACCURACY	1 MOA at 100 Yards
INCLUDED	One Mag, Safe Case, Manual, Warranty

## OPTIONS & UPGRADES

Substitute Green Furniture	Add \$10
Substitute ACE Skeleton ARFX-E Stock, Entry Length	Add \$20
Substitute Magpul CTR Stock	Add \$85
Substitute ERGO Pistol Grip	No Charge
Substitute Quad Rail Aluminum Free Float, CAR Length	Add \$120
Substitute SureFire M73 Tactical Rail Handguard	Add \$195
Substitute Daniel Defense Quad Rail 9.5FSP, CAR Length	Add \$320
Substitute Weaver Type Gas Block Sight Base	Add \$35
Substitute Stainless Steel Barrel, 1:8 Twist	Add \$65
Substitute Smith Vortex Flash Hider	Add \$54
Substitute Winter Trigger Guard	Add \$10
Substitute Badger Tactical Latch on Charging Handle	Add \$23
Substitute Ambidextrous Safety Selector	Add \$25
Substitute Ambidextrous Mag Catch	Add \$88



# Elite CAR UTE2

Standard Configuration ..... AR1229 **\$1,000**

## STANDARD CONFIGURATION

CALIBER	.223/5.56mm NATO Chamber
UPPER RECEIVER	Forged UTE2 - Universal Tactical Entry
BARREL	16" Chrome Moly, 1:9 Twist
MUZZLE DEVICE	A2 Flash Hider / 1/2-28 Thread
TRIGGER	Two Stage Match
SAFETY SELECTOR	Star
PISTOL GRIP	Hogue Rubber
HANDGUARD	Mid-Length Handguard
BUTTSTOCK	6-Position Tactical CAR Stock
WEIGHT / LENGTH	7.7 Pounds / 36 Inches
ACCURACY	1 MOA at 100 Yards
INCLUDED	One Mag, Safe Case, Manual, Warranty

## OPTIONS & UPGRADES

Substitute Green Furniture	Add \$10
Substitute ACE Skeleton ARFX-E Stock, Entry Length	Add \$20
Substitute RRA Half Quad Free Float, Mid-Length	Add \$125
Substitute Quad Rail Aluminum Free Float, Mid-Length	Add \$125
Substitute SureFire M85 Tactical Rail Handguard	Add \$195
Substitute Daniel Defense Quad Rail 9.0, Mid-Length	Add \$315
Substitute Chrome Lined Barrel, 1:9 Twist	Add \$40
Substitute Stainless Steel Barrel, 1:8 Twist	Add \$65
Substitute RRA Flip Front Sight Gas Block Assembly	Add \$80
Substitute Low Profile Gas Block	Add \$15
Substitute Smith Vortex Flash Hider	Add \$54

# CAR A2

Standard Configuration . . . . . AR1293 **\$925**  
 With 6-Position Tactical Stock . . . . . AR1295 **\$940**

## STANDARD CONFIGURATION

CALIBER	.223/5.56mm NATO Chamber
UPPER RECEIVER	Forged A2
BARREL	16" Chrome Moly, 1:9 Twist
MUZZLE DEVICE	A2 Flash Hider / 1/2-28 Thread
TRIGGER	Two Stage Match
HANDGUARD	CAR Length
PISTOL GRIP / BUTTSTOCK	A2 Grip / A2 Buttstock
WEIGHT / LENGTH	7.5 Pounds / 35.25 Inches
ACCURACY	1 MOA at 100 Yards
INCLUDED	One Mag, Safe Case, Manual, Warranty



## CAR A2 - AR1295

CAR A2 with 6-Position Tactical Stock

# CAR A4

Standard Configuration . . . . . AR1221 **\$890**  
 With 6-Position Tactical Stock . . . . . AR1222 **\$905**

## STANDARD CONFIGURATION

CALIBER	.223/5.56mm NATO Chamber
UPPER RECEIVER	Forged A4
BARREL	16" Chrome Moly, 1:9 Twist
MUZZLE DEVICE	A2 Flash Hider / 1/2-28 Thread
TRIGGER	Two Stage Match
HANDGUARD	CAR Length
PISTOL GRIP / BUTTSTOCK	A2 Grip / A2 Buttstock
WEIGHT / LENGTH	7.1 Pounds / 35.25 Inches
ACCURACY	1 MOA at 100 Yards
INCLUDED	One Mag, Safe Case, Manual, Warranty



## CAR A4

AR1291 **\$1,025**

CAR A4 with 6-Position Tactical Stock and Quad Rail Free Float

## OPTIONS & UPGRADES

Substitute Green Furniture	Add \$10	Substitute Quad Rail Free Float, CAR Length	Add \$120
Substitute Entry Buttstock	No Charge	Substitute SureFire M73 Tactical Rail Handguard	Add \$195
Substitute CAA Tactical Buttstock (for A2 Buttstock)	Add \$35	Substitute Daniel Defense Quad Rail 7.0, CAR Length	Add \$280
Substitute ACE Skeleton ARFX (for A2 Buttstock)	Add \$30	Substitute Daniel Defense Quad Rail 9.5FSP, CAR	Add \$320
Substitute ACE Skeleton ARFX-E (for A2 Buttstock)	Add \$30	Substitute Daniel Defense Quad Rail 12.0FSP, CAR	Add \$365
Substitute Magpul CTR Stock (for A2 Buttstock)	Add \$100	Substitute Chrome Lined Barrel, 1:9 Twist	Add \$40
Substitute Hogue Rubber Pistol Grip	Add \$20	Substitute Stainless Steel Barrel, 1:8 Twist	Add \$65
Substitute ERGO Pistol Grip	Add \$20	Substitute Smith Vortex Flash Hider	Add \$54
Substitute ERGO Tactical Pistol Grip	Add \$55	Substitute AWB Compliant Muzzle Brake	Add \$35
Substitute Black R-4 Handguard, w/double heat shield	Add \$7.50	Substitute Weaver Type Gas Block Sight Base	Add \$35
Substitute Aluminum Free Float Tube, CAR Length	Add \$55	Substitute Ambidextrous Safety Selector	Add \$25
Substitute Hogue Free Float Tube, CAR Length	Add \$80	Substitute Ambidextrous Mag Catch	Add \$88



# Mid-Length A2

Standard Configuration . . . . . AR1294 **\$925**  
 With 6-Position Tactical Stock . . . . . AR1296 **\$940**

## STANDARD CONFIGURATION

CALIBER	.223/5.56mm NATO Chamber
UPPER RECEIVER	Forged A2
BARREL	16" Chrome Moly, 1:9 Twist
MUZZLE DEVICE	A2 Flash Hider / 1/2-28 Thread
TRIGGER	Two Stage Match
HANDGUARD	Mid-Length
PISTOL GRIP / BUTTSTOCK	A2 Grip / A2 Buttstock
WEIGHT / LENGTH	7.5 Pounds / 35.25 Inches
ACCURACY	1 MOA at 100 Yards
INCLUDED	One Mag, Safe Case, Manual, Warranty



RRA  
Two Stage  
Match Trigger



**Mid-Length A2** - AR1296  
Mid-Length A2 with  
6-Position Tactical Stock

# Mid-Length A4

Standard Configuration . . . . . AR1238 **\$890**  
 With 6-Position Tactical Stock . . . . . AR1239 **\$905**

## STANDARD CONFIGURATION

CALIBER	.223/5.56mm NATO Chamber
UPPER RECEIVER	Forged A4
BARREL	16" Chrome Moly, 1:9 Twist
MUZZLE DEVICE	A2 Flash Hider / 1/2-28 Thread
TRIGGER	Two Stage Match
HANDGUARD	Mid-Length
PISTOL GRIP / BUTTSTOCK	A2 Grip / A2 Buttstock
WEIGHT / LENGTH	7.1 Pounds / 35.25 Inches
ACCURACY	1 MOA at 100 Yards
INCLUDED	One Mag, Safe Case, Manual, Warranty



RRA  
Two Stage  
Match Trigger



**Mid-Length A4** - AR1239  
Mid-Length A4 with  
6-Position Tactical Stock

## OPTIONS & UPGRADES

Substitute Green Furniture	Add \$10	Substitute SureFire M85 Tactical Rail Handguard	Add \$195
Substitute Entry Buttstock	No Charge	Substitute Daniel Defense Quad Rail 9.0, Mid-Length	Add \$315
Substitute CAA Tactical Buttstock (for A2 Buttstock)	Add \$35	Substitute Daniel Defense Quad Rail 12.0FSPM, Mid	Add \$365
Substitute ACE Skeleton ARFX (for A2 Buttstock)	Add \$30	Substitute Chrome Lined Barrel, 1:9 Twist	Add \$40
Substitute ACE Skeleton ARFX-E (for A2 Buttstock)	Add \$30	Substitute Stainless Steel Barrel, 1:8 Twist	Add \$65
Substitute Hogue Rubber Pistol Grip	Add \$20	Substitute Smith Vortex Flash Hider	Add \$54
Substitute ERGO Pistol Grip	Add \$20	Substitute Weaver Type Gas Block Sight Base	Add \$35
Substitute Aluminum Free Float Tube, Mid-Length	Add \$55	Substitute Ambidextrous Safety Selector	Add \$25
Substitute RRA Half Quad Free Float, Mid-Length	Add \$125	Substitute Ambidextrous Mag Catch	Add \$88
Substitute Quad Rail Free Float, Mid-Length	Add \$125	Substitute Badger Tactical Latch on Charging Handle	Add \$23



# Standard A2

Standard Configuration . . . . . AR1280 **\$945**

## STANDARD CONFIGURATION

CALIBER	.223 Wylde Chamber
UPPER RECEIVER	Forged A2
BARREL	20" Chrome Moly HBAR, 1:9 Twist
MUZZLE DEVICE	A2 Flash Hider / 1/2-28 Thread
TRIGGER	Two Stage Match
PISTOL GRIP	A2 Pistol Grip
HANDGUARD	A2 Handguard
BUTTSTOCK	A2 Buttstock
WEIGHT	8.6 Pounds
LENGTH	39 Inches
ACCURACY	1 MOA at 100 Yards
INCLUDED	One Mag, Safe Case, Manual, Warranty

RRA  
Two Stage  
Match Trigger

## OPTIONS & UPGRADES

Substitute Green Furniture	Add \$10
Substitute ACE Skeleton ARFX Stock, A2 Length	Add \$30
Substitute Hogue Rubber Pistol Grip	Add \$20
Substitute Aluminum Free Float Tube, Rifle Length	Add \$55
Substitute Hogue Free Float Tube, Rifle Length, Black	Add \$80
Substitute Hogue Free Float Tube, Rifle Length, Green	Add \$85
Substitute Quad Rail Aluminum Free Float, Rifle Length	Add \$160
Substitute SureFire M82 Tactical Rail Handguard	Add \$225
Substitute Daniel Defense Quad Rail 12.0, Rifle Length	Add \$350
Substitute Chrome Lined Barrel, 1:9 Twist	Add \$40
Substitute Stainless Steel Barrel, 1:8 Twist	Add \$65
Substitute Smith Vortex Flash Hider	Add \$54
Substitute Weaver Type Gas Block Sight Base	Add \$35



# Standard A4

Standard Configuration . . . . . AR1288 **\$905**

## STANDARD CONFIGURATION

CALIBER	.223 Wylde Chamber
UPPER RECEIVER	Forged A4
BARREL	20" Chrome Moly HBAR, 1:9 Twist
MUZZLE DEVICE	A2 Flash Hider / 1/2-28 Thread
TRIGGER	Two Stage Match
PISTOL GRIP	A2 Pistol Grip
HANDGUARD	A2 Handguard
BUTTSTOCK	A2 Buttstock
WEIGHT	8.2 Pounds
LENGTH	39 Inches
ACCURACY	1 MOA at 100 Yards
INCLUDED	One Mag, Safe Case, Manual, Warranty

RRA  
Two Stage  
Match Trigger

## OPTIONS & UPGRADES

Substitute Green Furniture	Add \$10
Substitute ACE Skeleton ARFX Stock, A2 Length	Add \$30
Substitute ERGO Pistol Grip	Add \$20
Substitute Aluminum Free Float Tube, Rifle Length	Add \$55
Substitute Hogue Free Float Tube, Rifle Length, Black	Add \$80
Substitute Quad Rail Lightweight Free Float, Rifle Length	Add \$160
Substitute SureFire M82 Tactical Rail Handguard	Add \$225
Substitute Daniel Defense Quad Rail 12.0, Rifle Length	Add \$350
Substitute Chrome Lined Barrel, 1:9 Twist	Add \$40
Substitute Stainless Steel Barrel, 1:8 Twist	Add \$65
Substitute RRA Flip Front Sight Gas Block Assembly	Add \$80
Substitute Low Profile Gas Block	Add \$15
Substitute Weaver Type Gas Block Sight Base	Add \$35
Substitute PRI Gas Buster Charging Handle	Add \$65

## What is a Wylde Chamber?

The .223 Wylde chamber was designed as a match chambering for semi-automatic rifles. It will accommodate both .223 Rem and 5.56 NATO ammunition. It is relieved in the case body to aid in extraction and features a shorter throat for improved accuracy.

Match Rear Sight

# NM A2

Standard Configuration ..... AR1285 **\$1,165**

## STANDARD CONFIGURATION

CALIBER	.223 Wylde Chamber
UPPER RECEIVER	Forged A2
BARREL	20" Air Gauged Heavy Match Stainless Steel, 1:8 Twist
MUZZLE DEVICE	A2 Flash Hider / 1/2-28 Thread
TRIGGER	Two Stage Match
PISTOL GRIP	A2 Pistol Grip
HANDGUARD	Free Float, High Temp Thermo Mold, NM Sleeve
BUTTSTOCK	A2 Buttstock
REAR SIGHT	Match 1/2 x 1/2 min, .040 Hooded Aperture
FRONT SIGHT	NM .050 Post
WEIGHT	9.7 Pounds
LENGTH	39 Inches
ACCURACY	3/4 MOA at 100 Yards
INCLUDED	20 Round Mag, Safe Case, Manual, Warranty

Free Float  
Thermo  
Mold  
Handguards

RRA  
Two Stage  
Match Trigger



Add a **Turner Saddlery All Weather Synthetic Service Rifle Sling**

54/56 inch adjustable, with mil-spec parkerized steel hardware, CMP approved.

Black ..... AR0139B \$65  
Green ..... AR0139G \$65

## OPTIONS & UPGRADES

Substitute Green Furniture	Add \$10
Substitute 1/4 x 1/4 min Match Sight	No Charge
Substitute .030 Hooded Aperture	No Charge

A4 with NM Carry Handle (Patent Pending)

**CMP Approved!**

# NM A4

With NM Carry Handle

Standard Configuration ..... AR1286 **\$1,215**

## STANDARD CONFIGURATION

CALIBER	.223 Wylde Chamber
UPPER RECEIVER	Forged A4 with NM Carry Handle
BARREL	20" Air Gauged Heavy Match Stainless Steel, 1:8 Twist
MUZZLE DEVICE	A2 Flash Hider / 1/2-28 Thread
TRIGGER	Two Stage Match
PISTOL GRIP	A2 Pistol Grip
HANDGUARD	Free Float, High Temp Thermo Mold, NM Sleeve
BUTTSTOCK	A2 Buttstock
REAR SIGHT	Match 1/2 x 1/2 min, .040 Hooded Aperture
FRONT SIGHT	NM .050 Post
WEIGHT	9.7 Pounds
LENGTH	39 Inches
ACCURACY	3/4 MOA at 100 Yards
INCLUDED	20 Round Mag, Safe Case, Manual, Warranty

Free Float  
Thermo  
Mold  
Handguards

RRA  
Two Stage  
Match Trigger

Add an **M&D DCM Handguard and Buttstock Weight**.

Handguard Weight, 3.6 pounds ..... RFLWTFRT \$35  
Buttstock Weight, 3.5 pounds ..... RFLWTRR \$25

## OPTIONS & UPGRADES

Substitute Green Furniture	Add \$10
Substitute 1/4 x 1/4 min Match Sight	No Charge
Substitute .030 Hooded Aperture	No Charge



Bull Barrel

# Varmint EOP

EOP - Elevated Optical Platform

RRA Two Stage  
Match Trigger

Bull Barrel

## STANDARD CONFIGURATION

CALIBER	.223 Wylde Chamber	
UPPER RECEIVER	Forged EOP - Elevated Optical Platform	
BARREL	Air Gauged Bull Stainless Steel, 1:8 Twist	
BARREL DIAMETER	.920 in front of gas block - 1.050 under tube	
GAS BLOCK	Weaver Style Light Varmint with Sight Rail	
TRIGGER	Two Stage Match	
TRIGGER GUARD	Winter Trigger Guard	
HANDGUARD	Knurled and Fluted Free Float Aluminum Tube	
PISTOL GRIP / BUTTSTOCK	Hogue Rubber Grip / A2 Buttstock	
WEIGHT / LENGTH	16 INCH	8.2 Pounds / 34.25 Inches
	18 INCH	9.0 Pounds / 36.25 Inches
	20 INCH	9.5 Pounds / 38.25 Inches
	24 INCH	10.0 Pounds / 42.25 Inches
ACCURACY	3/4 MOA at 100 Yards	
INCLUDED	One Mag, Safe Case, Manual, Warranty	

18 Inch Varmint EOP

RRA Winter  
Trigger Guard

Hogue Rubber Grip

Varmint EOP - 16 Inch Barrel	AR1505	\$1,080
Varmint EOP - 18 Inch Barrel	AR1516	\$1,090
Varmint EOP - 20 Inch Barrel	AR1525	\$1,100
Varmint EOP - 24 Inch Barrel	AR1555	\$1,110

## OPTIONS & UPGRADES

Substitute 1:12 Twist Barrel on 24" Model	No Charge
Substitute Green Furniture, with Green Hogue Free Float, Green Hogue Grip and Green A2 Buttstock (available on 16", 20" and 24" only)	Add \$80
Substitute ERGO Tactical Pistol Grip	Add \$45
Substitute Hogue Free Float Tube, Rifle or CAR Length	Add \$55
Bead Blast Stainless Steel Barrel	Add \$35

20 Inch  
Varmint A4

Bull Barrel

# Varmint A4

RRA Two Stage  
Match Trigger

16 Inch  
Varmint A4

Bull Barrel

## STANDARD CONFIGURATION

CALIBER	.223 Wylde Chamber	
UPPER RECEIVER	Forged A4	
BARREL	Air Gauged Bull Stainless Steel, 1:8 Twist	
BARREL DIAMETER	.920 in front of gas block - 1.050 under tube	
GAS BLOCK	Weaver Style Light Varmint with Sight Rail	
TRIGGER	Two Stage Match	
TRIGGER GUARD	Winter Trigger Guard	
HANDGUARD	Knurled and Fluted Free Float Aluminum Tube	
PISTOL GRIP / BUTTSTOCK	Hogue Rubber Grip / A2 Buttstock	
WEIGHT / LENGTH	16 INCH	7.9 Pounds / 34.25 Inches
	18 INCH	8.7 Pounds / 36.25 Inches
	20 INCH	9.2 Pounds / 38.25 Inches
	24 INCH	9.7 Pounds / 42.25 Inches
ACCURACY	3/4 MOA at 100 Yards	
INCLUDED	One Mag, Safe Case, Manual, Warranty	

RRA Winter  
Trigger Guard

Hogue Rubber Grip

Varmint A4 - 16 Inch Barrel	AR1500	\$1,055
Varmint A4 - 18 Inch Barrel	AR1515	\$1,065
Varmint A4 - 20 Inch Barrel	AR1520	\$1,075
Varmint A4 - 24 Inch Barrel	AR1550	\$1,085

## OPTIONS & UPGRADES

Substitute 1:12 Twist Barrel on 24" Model	No Charge
Substitute Green Furniture, with Green Hogue Free Float, Green Hogue Grip and Green A2 Buttstock (available on 16", 20" and 24" only)	Add \$80
Substitute ERGO Tactical Pistol Grip	Add \$45
Substitute Hogue Free Float Tube, Rifle or CAR Length	Add \$55
Bead Blast Stainless Steel Barrel	Add \$35

RRA CUSTOM RIFLES



Heavy Match Barrel

# PREDATOR PURSUIT RIFLE

All the features of our Varmint A4 but with the same 20 inch Heavy Match Stainless Steel Barrel used on our NM rifle, over 1 pound lighter to carry!

Standard Configuration ..... AR1530 **\$1,075**

## STANDARD CONFIGURATION

CALIBER	.223 Wylde Chamber
UPPER RECEIVER	Forged A4
BARREL	20" Air Gauged Heavy Match Stainless, 1:8 Twist
GAS BLOCK	Weaver Style Light Varmint with Sight Rail
TRIGGER	Two Stage Match
TRIGGER GUARD	Winter Trigger Guard
HANDGUARD	Knurled and Fluted Free Float Aluminum Tube
PISTOL GRIP / BUTTSTOCK	Hogue Rubber Grip / A2 Buttstock
WEIGHT / LENGTH	8.1 Pounds / 38.25 Inches
ACCURACY	3/4 MOA at 100 Yards
INCLUDED	One Mag, Safe Case, Manual, Warranty



RRA Two Stage Match Trigger

Hogue Rubber Grip

RRA Winter Trigger Guard

Add a **Flattop Riser Base**

AR0136ASY \$42.50

## OPTIONS & UPGRADES

Substitute Green Furniture, with Green Hogue Free Float Tube, Green Hogue Pistol Grip and Green A2 Buttstock	Add \$80
Substitute ACE Skeleton ARFX Stock, A2 Length	Add \$30
Substitute Magpul PRS Stock	Add \$230
Substitute ERGO Pistol Grip	No Charge
Substitute ERGO Tactical Pistol Grip	Add \$45
Substitute Hogue Free Float Tube, Rifle Length	Add \$55
Substitute Low Profile Gas Block	No Charge
Substitute Flip Front Sight Gas Block Assembly	Add \$45
Substitute Badger Tactical Latch on Charging Handle	Add \$23
Substitute PRI Gas Buster Charging Handle	Add \$65
Substitute Ambidextrous Safety Selector	Add \$25
Substitute Ambidextrous Mag Catch	Add \$88
Bead Blast Stainless Steel Barrel	Add \$35



Smith Vortex Flash Hider

Heavy Barrel

Hogue Free Float Tube

NEW! 16 Inch Carbine Model!

# Coyote Rifle

## STANDARD CONFIGURATION

CALIBER	RIFLE: .223 Wylde / CARBINE: 5.56 NATO
UPPER RECEIVER	Forged A4
BARREL	Chrome Moly HBAR, 1:9 Twist
MUZZLE DEVICE	Smith Vortex Flash Hider / 1/2-28 Thread
GAS BLOCK	Weaver Style Light Varmint with Sight Rail
TRIGGER	Two Stage Match
TRIGGER GUARD	Winter Trigger Guard
HANDGUARD	Hogue Overmolded Free Float Tube
PISTOL GRIP / BUTTSTOCK	Hogue Rubber / ACE ARFX Skeleton
WEIGHT / LENGTH	RIFLE: 8.4 Pounds / 40 Inches
ACCURACY	3/4 MOA at 100 Yards
INCLUDED	One Mag, Safe Case, Manual, Warranty



RRA Two Stage Match Trigger

Hogue Rubber Grip

RRA Winter Trigger Guard

ACE ARFX Skeleton Stock

Coyote Rifle - 20 Inch Barrel ..... AR1535 **\$1,155**

Coyote Carbine - 16 Inch Barrel ..... AR1540 **\$1,140**

## OPTIONS & UPGRADES

Substitute Green Hogue Free Float Tube and Green Hogue Grip	Add \$10
Substitute Magpul PRS Stock	Add \$200
Substitute ERGO Tactical Pistol Grip	Add \$45
Substitute Badger Tactical Latch on Charging Handle	Add \$23
Substitute PRI Gas Buster Charging Handle	Add \$65
Substitute Ambidextrous Safety Selector	Add \$25
Substitute Ambidextrous Mag Catch	Add \$88

# Entry Tactical



Includes Bolt Carrier Group  
and Charging Handle Assembly

Standard Configuration . . . . . AR0840B **\$605**

## STANDARD CONFIGURATION

CALIBER	.223/5.56mm NATO Chamber
UPPER RECEIVER	Forged A4, with Detachable Tactical Carry Handle
BARREL	16" Chrome Moly R-4 Heavy, 1:9 Twist
MUZZLE DEVICE	A2 Flash Hider / 1/2-28 Thread
HANDGUARD	R-4 Handguard with Double Heat Shields

## OPTIONS & UPGRADES

Substitute Green Handguard	Add \$5
Substitute Quad Rail Aluminum Free Float, CAR Length	Add \$120
Substitute SureFire M73 Tactical Rail Handguard	Add \$195
Substitute Daniel Defense Quad Rail 7.0, CAR Length	Add \$280
Substitute Daniel Defense Quad Rail 9.5FSP, CAR Length	Add \$320
Substitute Chrome Lined R-4 Barrel, 1:9 Twist	Add \$40
Substitute Smith Vortex Flash Hider	Add \$54
Substitute Weaver Type Gas Block Sight Base	Add \$35
Substitute RRA Flip Front Sight Gas Block Assembly	Add \$80
Substitute Dominator2 EOTech Mount for Tactical Handle	Add \$10

# Tactical CAR A4



Includes Bolt Carrier Group  
and Charging Handle Assembly

Standard Configuration . . . . . AR0885B **\$605**

## STANDARD CONFIGURATION

CALIBER	.223/5.56mm NATO Chamber
UPPER RECEIVER	Forged A4, with Detachable Tactical Carry Handle
BARREL	16" Chrome Moly, 1:9 Twist
MUZZLE DEVICE	A2 Flash Hider / 1/2-28 Thread
HANDGUARD	R-4 Handguard with Double Heat Shields

## OPTIONS & UPGRADES

Substitute Green Handguard	Add \$5
Substitute Quad Rail Aluminum Free Float, CAR Length	Add \$120
Substitute SureFire M73 Tactical Rail Handguard	Add \$195
Substitute Daniel Defense Quad Rail 12.0FSP, CAR Length	Add \$365
Substitute Chrome Lined Barrel, 1:9 Twist	Add \$40
Substitute Stainless Steel Barrel, 1:8 Twist	Add \$65
Substitute Low Profile Gas Block	Add \$15
Substitute Smith Vortex Flash Hider	Add \$54
Substitute Badger Tactical Latch on Charging Handle	Add \$23

# Elite CAR A4



Includes Bolt Carrier Group  
and Charging Handle Assembly

Standard Configuration . . . . . AR0872B **\$605**

## STANDARD CONFIGURATION

CALIBER	.223/5.56mm NATO Chamber
UPPER RECEIVER	Forged A4, with Detachable Tactical Carry Handle
BARREL	16" Chrome Moly, 1:9 Twist
MUZZLE DEVICE	A2 Flash Hider / 1/2-28 Thread
HANDGUARD	Mid-Length Handguard

## OPTIONS & UPGRADES

Substitute Green Handguard	Add \$5
Substitute RRA Half Quad Free Float, Mid-Length	Add \$125
Substitute Quad Rail Aluminum Free Float, Mid-Length	Add \$125
Substitute SureFire M85 Tactical Rail Handguard	Add \$195
Substitute Daniel Defense Quad Rail 9.0, Mid-Length	Add \$315
Substitute Chrome Lined Barrel, 1:9 Twist	Add \$40
Substitute Stainless Steel Barrel, 1:8 Twist	Add \$65
Substitute Smith Vortex Flash Hider	Add \$54
Substitute Weaver Type Gas Block Sight Base	Add \$35
Substitute Badger Tactical Latch on Charging Handle	Add \$23

COMPLETE UPPER HALVES

# TASC



Includes Bolt Carrier Group  
and Charging Handle Assembly

With R-4 Handguards . . . . . AR0893B **\$485**

With Mid-Length Handguards. . . . . AR0898B **\$485**

## STANDARD CONFIGURATION

CALIBER	.223/5.56mm NATO Chamber
UPPER	Forged A2, Lockable Windage & Elevation Rear Sight
BARREL	16" Chrome Moly, 1:9 Twist
MUZZLE DEVICE	A2 Flash Hider / 1/2-28 Thread
HANDGUARD	R-4 Handguard with Double Heat Shields



AR0898B - With  
Mid-Length Handguard

## OPTIONS & UPGRADES

Substitute Green Handguard	Add \$5
Substitute Chrome Lined Barrel, 1:9 Twist	Add \$40
Substitute Stainless Steel Barrel, 1:8 Twist	Add \$65
Substitute Smith Vortex Flash Hider	Add \$54

# Tactical CAR UTE2



Includes Bolt Carrier Group  
and Charging Handle Assembly

Standard Configuration. . . . . AR0889B **\$580**

## STANDARD CONFIGURATION

CALIBER	.223/5.56mm NATO Chamber
UPPER RECEIVER	One Piece Forged UTE2 - Universal Tactical Entry
BARREL	16" Chrome Moly, 1:9 Twist
MUZZLE DEVICE	A2 Flash Hider / 1/2-28 Thread
HANDGUARD	R-4 Handguard with Double Heat Shields

One Piece UTE2 Upper Receiver - with standard A4 rail height

## OPTIONS & UPGRADES

Substitute Green Handguard	Add \$5
Substitute Quad Rail Aluminum Free Float, CAR Length	Add \$120
Substitute SureFire M73 Tactical Rail Handguard	Add \$195
Substitute Daniel Defense Quad Rail 7.0, CAR Length	Add \$280
Substitute Daniel Defense Quad Rail 9.5FSP, CAR Length	Add \$320
Substitute Daniel Defense Quad Rail 12.0FSP, CAR Length	Add \$365
Substitute Stainless Steel Barrel, 1:8 Twist	Add \$65
Substitute Smith Vortex Flash Hider	Add \$54
Substitute Badger Tactical Latch on Charging Handle	Add \$23

# Elite CAR UTE2



Includes Bolt Carrier Group  
and Charging Handle Assembly

Standard Configuration. . . . . AR0874B **\$580**

## STANDARD CONFIGURATION

CALIBER	.223/5.56mm NATO Chamber
UPPER RECEIVER	One Piece Forged UTE2 - Universal Tactical Entry
BARREL	16" Chrome Moly, 1:9 Twist
MUZZLE DEVICE	A2 Flash Hider / 1/2-28 Thread
HANDGUARD	Mid-Length Handguard

One Piece UTE2 Upper Receiver - with standard A4 rail height

## OPTIONS & UPGRADES

Substitute Green Handguard	Add \$5
Substitute Aluminum Free Float Tube, Mid-Length	Add \$55
Substitute RRA Half Quad Free Float, Mid-Length	Add \$125
Substitute Quad Rail Aluminum Free Float, Mid-Length	Add \$125
Substitute SureFire M85 Tactical Rail Handguard	Add \$195
Substitute Daniel Defense Quad Rail 9.0, Mid-Length	Add \$315
Substitute Stainless Steel Barrel, 1:8 Twist	Add \$65
Substitute Smith Vortex Flash Hider	Add \$54
Substitute Weaver Type Gas Block Sight Base	Add \$35
Substitute RRA Flip Front Sight Gas Block Assembly	Add \$80

COMPLETE UPPER HALVES

# CAR A2

## Mid-Length A2

Includes Bolt Carrier Group  
and Charging Handle Assembly

**CAR A2** with CAR Handguard  
Standard Configuration . . . . . AR0625B **\$480**

**Mid-Length A2** with Mid-Length Handguard  
Standard Configuration . . . . . AR0675B **\$480**

### STANDARD CONFIGURATION

CALIBER	.223/5.56mm NATO Chamber
UPPER RECEIVER	Forged A2
BARREL	16" Chrome Moly, 1:9 Twist
MUZZLE DEVICE	A2 Flash Hider / 1/2-28 Thread

Shown with optional  
Stainless Steel Barrel

### OPTIONS & UPGRADES

Substitute Green Handguard	Add \$5
Substitute Aluminum Free Float Tube	Add \$55
Substitute Hogue Free Float Tube, CAR Length	Add \$80
Substitute Chrome Lined Barrel, 1:9 Twist	Add \$40
Substitute Stainless Steel Barrel, 1:8 Twist	Add \$65
Substitute Smith Vortex Flash Hider	Add \$54
Substitute Badger Tactical Latch on Charging Handle	Add \$23

# CAR A4

## Mid-Length A4

Includes Bolt Carrier Group  
and Charging Handle Assembly

**CAR A4** with CAR Handguard  
Standard Configuration . . . . . AR0325B **\$455**

**Mid-Length A4** with Mid-Length Handguard  
Standard Configuration . . . . . AR0375B **\$455**

### STANDARD CONFIGURATION

CALIBER	.223/5.56mm NATO Chamber
UPPER RECEIVER	Forged A4
BARREL	16" Chrome Moly, 1:9 Twist
MUZZLE DEVICE	A2 Flash Hider / 1/2-28 Thread

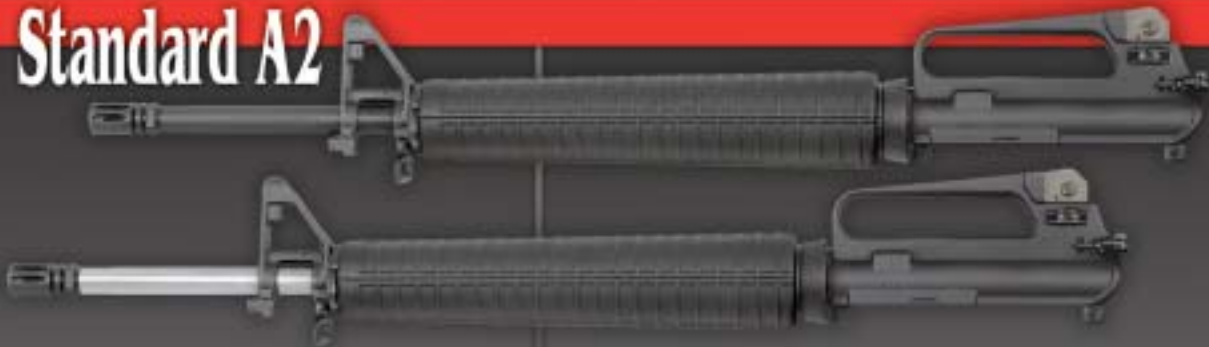
### OPTIONS & UPGRADES

Substitute Green Handguard	Add \$5
Substitute Aluminum Free Float Tube	Add \$55
Substitute RRA Half Quad Free Float, Mid-Length	Add \$125
Substitute Quad Rail Aluminum Free Float, CAR Length	Add \$120
Substitute Quad Rail Aluminum Free Float, Mid-Length	Add \$125
Substitute SureFire M73 Tactical Rail Handguard	Add \$195
Substitute SureFire M85 Tactical Rail Handguard	Add \$195
Substitute Daniel Defense Quad Rail 7.0, CAR Length	Add \$280
Substitute Daniel Defense Quad Rail 9.0, Mid-Length	Add \$315
Substitute Daniel Defense Quad Rail 9.5FSP, CAR Length	Add \$320
Substitute Daniel Defense Quad Rail 12.0FSP, CAR Length	Add \$365
Substitute Chrome Lined Barrel, 1:9 Twist	Add \$40
Substitute Stainless Steel Barrel, 1:8 Twist	Add \$65
Substitute Weaver Type Gas Block Sight Base	Add \$35
Substitute RRA Flip Front Sight Gas Block Assembly	Add \$80

COMPLETE UPPER HALVES



# Standard A2



Includes Bolt Carrier Group  
and Charging Handle Assembly

## 20 Inch Chrome Moly HBAR 1:9 Twist Barrel

Standard Configuration . . . . . AR0726B **\$505**

## 20 Inch Air Gauged Stainless Steel 1:8 Twist Barrel

Standard Configuration . . . . . AR0727B **\$570**

### STANDARD CONFIGURATION

CALIBER	.223 Wylde Chamber
UPPER RECEIVER	Forged A2
MUZZLE DEVICE	A2 Flash Hider / 1/2-28 Thread
HANDGUARD	A2 Handguard

### OPTIONS & UPGRADES

Substitute Green Handguard	Add \$5
Substitute UTE2 Upper Receiver	Add \$40
Substitute Aluminum Free Float Tube, Rifle Length	Add \$55
Substitute Hogue Free Float Tube, Rifle Length	Add \$80
Substitute Quad Rail Aluminum Free Float, Rifle Length	Add \$160
Substitute SureFire M82 Tactical Rail Handguard	Add \$225
Substitute Daniel Defense Quad Rail 12.0, Rifle Length	Add \$350
Substitute Badger Tactical Latch on Charging Handle	Add \$23
Substitute Chrome Lined Barrel, 1:9 Twist	Add \$40
Substitute Smith Vortex Flash Hider	Add \$54
Substitute Ambidextrous Safety Selector	Add \$25
Substitute AWB Compliant Muzzle Brake	Add \$35

# Standard A4



Includes Bolt Carrier Group  
and Charging Handle Assembly

## 20 Inch Chrome Moly HBAR 1:9 Twist Barrel

Standard Configuration . . . . . AR0450B **\$470**

## 20 Inch Air Gauged Stainless Steel 1:8 Twist Barrel

Standard Configuration . . . . . AR0451B **\$535**

### STANDARD CONFIGURATION

CALIBER	.223 Wylde Chamber
UPPER RECEIVER	Forged A4
MUZZLE DEVICE	A2 Flash Hider / 1/2-28 Thread
HANDGUARD	A2 Handguard

### OPTIONS & UPGRADES

Substitute Green Handguard	Add \$5
Substitute Aluminum Free Float Tube, Rifle Length	Add \$55
Substitute Hogue Free Float Tube, Rifle Length	Add \$80
Substitute Quad Rail Aluminum Free Float, Rifle Length	Add \$160
Substitute SureFire M82 Tactical Rail Handguard	Add \$225
Substitute Daniel Defense Quad Rail 12.0, Rifle Length	Add \$350
Substitute Chrome Lined Barrel, 1:9 Twist	Add \$40
Substitute Low Profile Gas Block	Add \$15
Substitute Weaver Type Gas Block Sight Base	Add \$35
Substitute RRA Flip Front Sight Gas Block Assembly	Add \$80
Substitute Badger Tactical Latch on Charging Handle	Add \$23
Substitute Smith Vortex Flash Hider	Add \$54
Substitute AWB Compliant Muzzle Brake	Add \$35

COMPLETE UPPER HALVES

## What is a Wylde Chamber?

The .223 Wylde chamber was designed as a match chambering for semi-automatic rifles. It will accommodate both .223 Rem and 5.56 NATO ammunition. It is relieved in the case body to aid in extraction and features a shorter throat for improved accuracy.

# Varmint EOP

Includes Bolt Carrier Group  
and Charging Handle Assembly

- 16 Inch . . . . . AR0510 **\$600**
- 18 Inch . . . . . AR0530 **\$610**
- 20 Inch . . . . . AR0560 **\$620**
- 24 Inch . . . . . AR0579 **\$630**

**Bull Barrel**

## STANDARD CONFIGURATION

CALIBER	.223 Wylde Chamber
UPPER RECEIVER	Forged EOP - Elevated Optical Platform
BARREL	Air Gauged Bull Stainless Steel, 1:8 Twist
BARREL DIAMETER	.920 in front of gas block - 1.050 under tube
GAS BLOCK	Weaver Style Light Varmint with Sight Rail
HANDGUARD	Knurled and Fluted Free Float Aluminum Tube

## OPTIONS & UPGRADES

Substitute 1:12 Twist Barrel on 24" Model	No Charge
Substitute Hogue Free Float Tube, CAR Length	Add \$55
Substitute Hogue Free Float Tube, Rifle Length	Add \$55
Substitute Green Hogue Free Float Tube, 16", 20", 24" only	Add \$55
Bead Blast Stainless Steel Barrel	Add \$35

# Varmint A4

Includes Bolt Carrier Group  
and Charging Handle Assembly

- 16 Inch . . . . . AR0500 **\$580**
- 18 Inch . . . . . AR0525 **\$590**
- 20 Inch . . . . . AR0550 **\$600**
- 24 Inch . . . . . AR0575 **\$610**

**Bull Barrel**

## STANDARD CONFIGURATION

CALIBER	.223 Wylde Chamber
UPPER RECEIVER	Forged A4
BARREL	Air Gauged Bull Stainless Steel, 1:8 Twist
BARREL DIAMETER	.920 in front of gas block - 1.050 under tube
GAS BLOCK	Weaver Style Light Varmint with Sight Rail
HANDGUARD	Knurled and Fluted Free Float Aluminum Tube

## OPTIONS & UPGRADES

Substitute 1:12 Twist Barrel on 24" Model	No Charge
Substitute Hogue Free Float Tube, CAR Length	Add \$55
Substitute Hogue Free Float Tube, Rifle Length	Add \$55
Substitute Green Hogue Free Float Tube, 16", 20", 24" only	Add \$55
Bead Blast Stainless Steel Barrel	Add \$35

# PREDATOR PURSUIT

*With Heavy Match Stainless Steel Barrel*

## STANDARD CONFIGURATION

CALIBER	.223 Wylde Chamber
UPPER RECEIVER	Forged A4
BARREL	20" Air Gauged Heavy Match Stainless, 1:8 Twist
GAS BLOCK	Weaver Style Light Varmint with Sight Rail
HANDGUARD	Knurled and Fluted Free Float Aluminum Tube

Includes Bolt Carrier Group and Charging Handle Assembly

## 20 Inch Predator Pursuit Upper Half

Standard Configuration . . . . . AR0565 **\$600**

## OPTIONS & UPGRADES

Substitute Hogue Free Float Tube, Black or Green	Add \$55
Bead Blast Stainless Steel Barrel	Add \$35

COMPLETE UPPER HALVES

# NM A2 / NM A4 Complete Upper Halves



NM A4 shown with NM Carry Handle (patent pending) available separately, below.

## STANDARD CONFIGURATION

CALIBER	.223 Wylde Chamber
UPPER RECEIVER	Forged A2 or A4, selected for extra tight NM fit
BARREL	20" Air-Gauged Match Stainless Steel, 1:8 Twist
MUZZLE DEVICE	A2 Flash Hider / 1/2-28 Thread
HANDGUARD	Free Float, High Temp Thermo Mold with NM Sleeve
REAR SIGHT	A2 only: Match 1/2 x 1/2 min, .040 Hooded Aperture
FRONT SIGHT	.050 Post

Includes Bolt Carrier Group and Charging Handle Assembly  
**NM A2 Complete Upper Half** ..... AR0775B **\$700**  
**NM A4 Complete Upper Half** ..... AR0790B **\$650**

## OPTIONS & UPGRADES

Substitute Green Handguard	No Charge
A2 - Substitute 1/4 x 1/4 min Match Sight	No Charge
A2 - Substitute .030 Hooded Aperture	No Charge



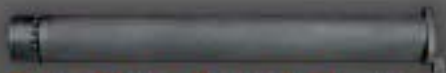
**NM Complete Lower Half**

With Rock River Arms  
Two Stage Match Trigger  
AR0940B **\$365**



**RRA Two Stage Match Trigger Kit**

AR0093NMK ..... **\$120**  
 To fit large pin lowers with block - AR0093NMKS ..... **\$135**



**NM Free Float Barrel Sleeve**

AR0127 ..... **\$100**  
 With Thermo Mold Handguard ..... AR0129 **\$130**  
 With Injection Molded Handguard ..... AR0128 **\$115**



**NM Front & Rear Sight Kit**

With 1/4 x 1/4 min or 1/2 x 1/2 min MOA, and .030 or .040 hooded aperture, with .050 front sight post.  
 AR0070NMKIT ..... **\$110**

**NM Front Sight Post .050** ..... AR0009NM050 **\$7.50**

**NM Carry Handle**



**Patent pending.** A true 0 to 600 yard capable carry handle!  
 1/2min x 1/2min, .040 ..... AR0052CNMASY **\$160**  
 1/2min x 1/2min, .030 ..... AR0052CNMASY2 **\$160**  
 1/4min x 1/4min, .040 ..... AR0052CNMASY3 **\$160**  
 1/4min x 1/4min, .030 ..... AR0052CNMASY4 **\$160**

**NM Selected Fit Upper and Lower Receiver Set**

Forged A2 upper receiver and forged lower receiver, specially selected for an extra tight NM fit!  
 Match Receiver Set, stripped ..... AR0114A2SET **\$350**

**Forged A2 Upper Receiver Assembly**

Complete with forward assist, port door and NM Sight - 1/4 min x 1/4 min or 1/2 min x 1/2 min, with .030 or .040 hooded aperture.  
 AR0052ANMASY ..... **\$210**

**M&D DCM Rifle Weights**



**Handguard Weight**  
 3.6 lbs ..... RFLWTFRT **\$35**  
**Buttstock Weight - 3.5 lbs.** ..... RFLWTRR **\$25**

NM UPPER HALVES / PARTS



# 6.8 SPC RRA LAR-6.8™

Advanced Terminal Ballistics

## CAR A2/A4

### 6.8 SPC RRA LAR-6.8™ CAR A2

With A2 Buttstock ..... SPC1293 **\$935**  
 With 6-Position Tactical CAR Stock ..... SPC1295 **\$950**

### 6.8 SPC RRA LAR-6.8™ CAR A4

With A2 Buttstock ..... SPC1221 **\$900**  
 With 6-Position Tactical CAR Stock ..... SPC1222 **\$915**

#### STANDARD CONFIGURATION

CALIBER	6.8mm Rem SPC (SAAMI II) Chamber
UPPER RECEIVER	Forged A2 or Forged A4
BARREL	16" Chrome Moly, 1:10 Twist
MUZZLE DEVICE	A2 Flash Hider / 5/8-24 Thread
TRIGGER	Two Stage Match
PISTOL GRIP / BUTTSTOCK	A2 Pistol Grip / A2 Buttstock
HANDGUARD	CAR Length
WEIGHT / LENGTH	7.5 Pounds / 35.25 Inches
ACCURACY	1 MOA at 100 Yards
INCLUDED	One Mag, Safe Case, Manual, Warranty

## Mid-Length A2/A4

### 6.8 SPC RRA LAR-6.8™ Mid-Length A2

With A2 Buttstock ..... SPC1294 **\$935**  
 With 6-Position Tactical CAR Stock ..... SPC1296 **\$950**

### 6.8 SPC RRA LAR-6.8™ Mid-Length A4

With A2 Buttstock ..... SPC1238 **\$900**  
 With 6-Position Tactical CAR Stock ..... SPC1239 **\$915**

#### STANDARD CONFIGURATION

CALIBER	6.8mm Rem SPC (SAAMI II) Chamber
UPPER RECEIVER	Forged A2 or Forged A4
BARREL	16" Chrome Moly, 1:10 Twist
MUZZLE DEVICE	A2 Flash Hider / 5/8-24 Thread
TRIGGER	Two Stage Match
PISTOL GRIP / BUTTSTOCK	A2 Pistol Grip / A2 Buttstock
HANDGUARD	Mid-Length
WEIGHT / LENGTH	7.5 Pounds / 35.25 Inches
ACCURACY	1 MOA at 100 Yards
INCLUDED	One Mag, Safe Case, Manual, Warranty

# 6.8mm SPC

## Complete Upper Halves

*Our new 6.8mm SPC Complete Upper Halves work with RRA LAR-15™ and other lower halves, requiring only a 6.8 SPC magazine for proper function.*

Includes Bolt Carrier Group and Charging Handle Assembly  
**6.8 SPC CAR A2** ..... SPC0625B **\$505**  
**6.8 SPC CAR A4** ..... SPC0325B **\$475**

#### STANDARD CONFIGURATION

CALIBER	6.8mm Rem SPC (SAAMI II) Chamber
UPPER RECEIVER	Forged A2 or Forged A4
BARREL	16" Chrome Moly, 1:10 Twist
MUZZLE DEVICE	A2 Flash Hider / 5/8-24 Thread
HANDGUARD	CAR Length

Includes Bolt Carrier Group and Charging Handle Assembly  
**6.8 SPC Mid-Length A2** ..... SPC0675B **\$505**  
**6.8 SPC Mid-Length A4** ..... SPC0375B **\$475**

#### STANDARD CONFIGURATION

CALIBER	6.8mm Rem SPC (SAAMI II) Chamber
UPPER RECEIVER	Forged A2 or Forged A4
BARREL	16" Chrome Moly, 1:10 Twist
MUZZLE DEVICE	A2 Flash Hider / 5/8-24 Thread
HANDGUARD	Mid-Length

6.8MM SPC RIFLE / UPPER HALF





RRA  
Two Stage  
Match Trigger

# .458 SOCOM RRA LAR-458™ CAR A4

Standard Configuration . . . . . SOC1260 **\$1,090**

## STANDARD CONFIGURATION

CALIBER	.458 SOCOM Chamber
UPPER RECEIVER	Forged A4
BARREL	16" Chrome Moly Bull Barrel, 1:14 Twist
MUZZLE DEVICE	A2 Flash Hider / 5/8-32 Thread
GAS BLOCK	Weaver Style Varmint with Sight Rail
TRIGGER	Two Stage Match
HANDGUARD	Knurled and Fluted Free Float Aluminum Tube
BUTTSTOCK / PISTOL GRIP	A2 Buttstock / A2 Pistol Grip
WEIGHT / LENGTH	7.6 Pounds / 36.5 Inches
ACCURACY	1.5 MOA at 100 Yards
INCLUDED	One Mag, Safe Case, Manual, Warranty

**The RRA LAR-458™ offers the ultimate combination of firepower and flexibility!**

## OPTIONS & UPGRADES

Substitute ACE Skeleton ARFX Stock, A2 Length	Add \$30
Substitute 6-Position Tactical CAR Stock	Add \$15
Substitute Magpul CTR Stock	Add \$100
Substitute Hogue Rubber Pistol Grip	Add \$20
Substitute ERGO Pistol Grip	Add \$20
Substitute Hogue Free Float Tube, CAR Length	Add \$55
Substitute Green Hogue Free Float Tube, CAR Length	Add \$55
Substitute Smith Vortex Flash Hider	Add \$85
Substitute Winter Trigger Guard	Add \$10
Substitute Badger Tactical Latch on Charging Handle	Add \$23



# .458 SOCOM CAR A4 Complete Upper Half

## STANDARD CONFIGURATION

CALIBER	.458 SOCOM Chamber
UPPER RECEIVER	Forged A4
BARREL	16" Chrome Moly Bull Barrel, 1:14 Twist
MUZZLE DEVICE	A2 Flash Hider / 5/8-32 Thread
GAS BLOCK	Weaver Style Varmint with Sight Rail
HANDGUARD	Knurled and Fluted Free Float Aluminum Tube

**Our new .458 SOCOM upper half works with standard AR lower receivers and unmodified 30 round GI mags.**

Includes Bolt Carrier Group and Charging Handle Assembly  
**16 Inch .458 SOCOM CAR A4 Upper Half**  
 Standard Configuration . . . . . SOC0370 **\$685**

## OPTIONS & UPGRADES

Substitute Hogue Free Float Tube, CAR Length	Add \$55
Substitute Green Hogue Free Float Tube, CAR Length	Add \$55
Substitute Smith Vortex Flash Hider	Add \$85
Substitute Badger Tactical Latch on Charging Handle	Add \$23

# .458 SOCOM Smith Vortex Flash Hider

5/8-32 Thread . . . . . SOC0001V **\$87.50**

# COR®BON FACTORY .458 SOCOM

.458 SOCOM ammunition is available in a variety of factory loads from COR®BON. For more info visit [www.corbon.com](http://www.corbon.com) or call 1-800-626-7266.

.458 SOCOM RIFLE / UPPER HALF

# RRA LAR-8™ Varmint A4

Standard Configuration ..... 308A1560 **\$1,350**

CALIBER	.308/7.62mm Chamber
UPPER RECEIVER	Forged A4 with Forward Assist and Port Door
BARREL	26" Air Gauged Bull Stainless Steel, 1:10 Twist
GAS BLOCK	Weaver Type Sight Base
TRIGGER	Two Stage Match



Accepts  
FAL (Metric) or  
L1A1 (Inch) Mags

HANDGUARD	Knurled and Fluted Free Float Aluminum Tube
PISTOL GRIP / BUTTSTOCK	Hogue Rubber / A2 Buttstock
WEIGHT / LENGTH	11.6 Pounds / 47 Inches
ACCURACY	1 MOA at 100 Yards
INCLUDED	One Mag, Safe Case, Manual, Warranty

# RRA LAR-8™ Standard A2/A4

Standard A2 ..... 308A1280 **\$1,145**  
Standard A4 ..... 308A1288 **\$1,100**

CALIBER	.308/7.62mm Chamber
UPPER RECEIVER	Forged A2 or A4 with Forward Assist and Port Door
BARREL	20" Chrome Moly, 1:10 Twist
MUZZLE DEVICE	A2 Flash Hider / 5/8-24 Thread
FRONT SIGHT	A2: A2 Front Sight / A4: Gas Block Sight Base
TRIGGER	Two Stage Match



Accepts  
FAL (Metric) or  
L1A1 (Inch) Mags

HANDGUARD	A2 Handguard
PISTOL GRIP / BUTTSTOCK	Hogue Rubber / A2 Buttstock
WEIGHT / LENGTH	A2: 9.3 lbs, 42 Inches / A4: 9.0 lbs / 42 Inches
ACCURACY	1 MOA at 100 Yards
INCLUDED	One Mag, Safe Case, Manual, Warranty

## OPTIONAL QUAD RAIL

Substitute Daniel Defense 12.0 LITE Quad Rail Add \$400

# RRA LAR-8™ Mid-Length A2/A4

Mid-Length A2 ..... 308A1295 **\$1,150**  
Mid-Length A4 ..... 308A1239 **\$1,100**

CALIBER	.308/7.62mm Chamber
UPPER RECEIVER	Forged A2 or A4 with Forward Assist and Port Door
BARREL	16" Chrome Moly, 1:10 Twist
MUZZLE DEVICE	A2 Flash Hider / 5/8-24 Thread
FRONT SIGHT	A2: A2 Front Sight / A4: Gas Block Sight Base
TRIGGER	Two Stage Match



Accepts  
FAL (Metric) or  
L1A1 (Inch) Mags

HANDGUARD	Mid-Length Handguard
PISTOL GRIP / BUTTSTOCK	Hogue Rubber / 6-Position Tactical CAR Stock
WEIGHT / LENGTH	A2: 8.6 lbs, 38 Inches / A4: 8.1 lbs / 38 Inches
ACCURACY	1.5 MOA at 100 Yards
INCLUDED	One Mag, Safe Case, Manual, Warranty

## OPTIONAL QUAD RAIL

Substitute Daniel Defense 9.0 LITE Quad Rail Add \$340



**Now with  
Integral  
Magwell!**

See Page 29 for details

## 9mm RRA LAR-9™ CAR A2

Standard Configuration . . . . . 9MM1295 **\$1,075**

### STANDARD CONFIGURATION

CALIBER	9mm Luger Chamber
UPPER RECEIVER	Forged A2
BARREL	16" Chrome Moly, 1:10 Twist
MUZZLE DEVICE	A1 Flash Hider / 1/2-36 Thread
TRIGGER	Standard Single Stage
HANDGUARD / PISTOL GRIP	CAR Length / A2 Grip
BUTTSTOCK	6-Position Tactical CAR Stock
WEIGHT / LENGTH	7.5 Pounds / 36 Inches
ACCURACY	1.5 inches at 50 Yards
INCLUDED	One Mag, Safe Case, Manual, Warranty



### 9mm CAR A2

Shown with optional Mid-Length Handguard and Green Furniture



**Now with  
Integral  
Magwell!**

See Page 29 for details

## 9mm RRA LAR-9™ CAR A4

Standard Configuration . . . . . 9MM1222 **\$1,050**

### STANDARD CONFIGURATION

CALIBER	9mm Luger Chamber
UPPER RECEIVER	Forged A4
BARREL	16" Chrome Moly, 1:10 Twist
MUZZLE DEVICE	A1 Flash Hider / 1/2-36 Thread
TRIGGER	Standard Single Stage
HANDGUARD / PISTOL GRIP	CAR Length / A2 Grip
BUTTSTOCK	6-Position Tactical CAR Stock
WEIGHT / LENGTH	7.1 Pounds / 36 Inches
ACCURACY	1.5 inches at 50 Yards
INCLUDED	One Mag, Safe Case, Manual, Warranty

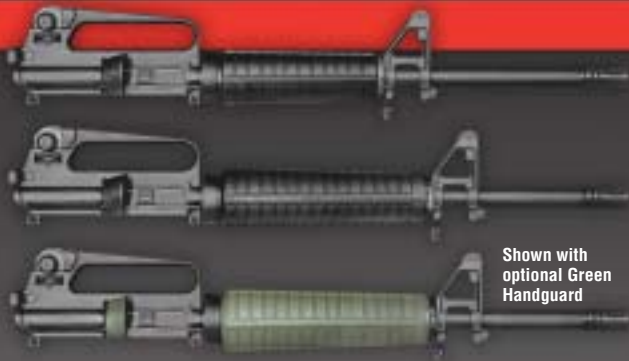


### 9mm CAR A4

Shown with optional Mid-Length Handguard and Green Furniture

### OPTIONS & UPGRADES

Substitute Green Furniture	Add \$10	Substitute Hogue Free Float Tube, CAR Length	Add \$80
Substitute A2 Buttstock	No Charge	Substitute RRA Half Quad Free Float, Mid-Length	Add \$125
Substitute ACE Skeleton ARFX Stock, A2 Length	Add \$20	Substitute Quad Rail Free Float, CAR Length	Add \$120
Substitute ACE Skeleton ARFX-E, Entry Length	Add \$20	Substitute Quad Rail Free Float, Mid-Length	Add \$125
Substitute Magpul CTR Stock	Add \$85	Substitute SureFire M73 Tactical Rail Handguard	Add \$195
Substitute Hogue Rubber Pistol Grip	Add \$20	Substitute SureFire M85 Tactical Rail Handguard	Add \$195
Substitute ERGO Pistol Grip	Add \$20	Substitute Smith Vortex Flash Hider	Add \$54
Substitute ERGO Tactical Pistol Grip	Add \$55	Substitute Muzzle Brake for A1 Flash Hider	Add \$35
Substitute Mid-Length Handguard	No Charge	Substitute Weaver Type Gas Block Sight Base	Add \$35
Substitute Aluminum Free Float Tube, CAR or Mid-Length	Add \$55	Substitute PRi Gas Buster Charging Handle	Add \$70



Shown with optional Green Handguard

**OPTIONS & UPGRADES**

Substitute Green Handguard	Add \$5
Substitute Aluminum Free Float Tube	Add \$55
Substitute Quad Rail Aluminum Free Float, CAR Length	Add \$120
Substitute Quad Rail Aluminum Free Float, Mid-Length	Add \$125
Substitute Weaver Type Gas Block Sight Base	Add \$35
Substitute RRA Flip Front Sight Gas Block Assembly	Add \$80
Substitute Smith Vortex Flash Hider	Add \$54
Substitute AWB Compliant Muzzle Brake	Add \$35

# 9mm CAR A2

## Complete Upper Halves

Includes Bolt Carrier Group and Charging Handle Assembly

**9mm CAR A2 with CAR Handguard**  
Standard Configuration ..... 9MM0550B **\$500**

**9mm CAR A2 with Mid-Length Handguard**  
Standard Configuration ..... 9MM0650B **\$500**

**STANDARD CONFIGURATION**

CALIBER	9mm Luger Chamber
UPPER RECEIVER	Forged A2
BARREL	16" Chrome Moly, 1:10 Twist
MUZZLE DEVICE	A1 Flash Hider / 1/2-36 Thread



Shown with optional Mid-Length Free Float Tube and Gas Block Sight Base

**OPTIONS & UPGRADES**

Substitute Green Handguard	Add \$5
Substitute Aluminum Free Float Tube	Add \$55
Substitute RRA Half Quad Free Float, Mid-Length	Add \$125
Substitute Quad Rail Aluminum Free Float, CAR Length	Add \$120
Substitute Quad Rail Aluminum Free Float, Mid-Length	Add \$125
Substitute SureFire M73 Tactical Rail Handguard	Add \$195
Substitute SureFire M85 Tactical Rail Handguard	Add \$195
Substitute Daniel Defense Quad Rail 7.0, CAR Length	Add \$280
Substitute Daniel Defense Quad Rail 9.0, Mid-Length	Add \$315
Substitute Weaver Type Gas Block Sight Base	Add \$35
Substitute Smith Vortex Flash Hider	Add \$54

# 9mm CAR A4

## Complete Upper Halves

Includes Bolt Carrier Group and Charging Handle Assembly

**9mm CAR A4 with CAR Handguard**  
Standard Configuration ..... 9MM0350B **\$480**

**9mm CAR A4 with Mid-Length Handguard**  
Standard Configuration ..... 9MM0450B **\$480**

**STANDARD CONFIGURATION**

CALIBER	9mm Luger Chamber
UPPER RECEIVER	Forged A4
BARREL	16" Chrome Moly, 1:10 Twist
MUZZLE DEVICE	A1 Flash Hider / 1/2-36 Thread

## 9MM CONVERSION INFORMATION

In addition to the upper half, certain other parts are required to complete the 9mm conversion. A lower half with standard (non match/2-stage) internal parts is required, and a 9mm hammer must be installed in place of the .223 hammer. The 9mm magwell conversion block (which uses modified Uzi magazines or Colt-style SMG magazines) is also required, if you are not using a dedicated RRA 9mm lower half with integral magwell. If using a CAR length receiver extension (as used in RRA collapsible CAR and A4 stocks as well as entry tactical stocks), the 9mm buffer replaces the CAR buffer. If using the standard receiver extension (as used in A1/A2 stocks and RRA non-collapsible CAR stocks), installation of the 9mm stock spacer, CAR action spring, and 9mm buffer is required. If you have any questions about 9mm conversions, please call Rock River Arms.



# 9mm Conversion Parts

## 9mm Forged A2 Upper Receiver Assembly



Complete with rear sight, port door and case deflector.  
9MM0052AASY ..... \$185

## 9mm Forged A4 Upper Receiver Assembly



Complete with port door, case deflector.  
9MM0052BASY ..... \$160

## 9mm PRI Gas Buster Charging Handle With Big Latch

9MM0026GBASY \$95



## 9mm Barrel Assemblies

16 Inch Chrome Moly, 1:10 Twist

Includes barrel nut, handguard cap and front sight housing.

**16 Inch CAR Barrel Assemblies**  
With bayonet lug, 1/2-36 thread ..... 9MM0201ASY \$185

**16 Inch Mid-Length Barrel Assemblies**  
With bayonet lug, 1/2-36 thread ..... 9MM0203ASY \$185

**9mm AI Flash Hider**  
1/2-36 Thread ..... 9MM0001 \$11

**9mm Smith Vortex Flash Hider**  
1/2-36 Thread ..... 9MM001V \$55

**9mm Ejection Port Door**  
9MM0048 ..... \$9

**9mm Port Door Kit** ..... 9MM0048K \$11

**9mm Case Deflector**  
Black, with spring ..... 9MM0042B \$12  
Green, with spring ..... 9MM0042G \$12

## New! 9mm Lower Receiver with Integral Magwell!

## 9mm Forged Lower Receiver Assembly



Lower receiver assembly with integral 9mm magwell. Includes 9mm marked lower receiver, feed ramp, 9mm ejector, 9mm bolt catch, mag catch, spring and button ..... 9MM0114ASY \$325



## 9mm Complete Lower Half

Complete with integral 9mm magwell and all necessary conversions parts. 9mm marked.  
With A2 Buttstock ..... 9MM0900B \$450  
With 6-Position Tactical Stock ..... 9MM0901C \$465

**9mm Bolt Carrier Assembly**  
Complete Assembly ..... 9MM0032ASY \$170

**9mm Hammer** ..... 9MM0106 \$17.50

**9mm Firing Pin** ..... 9MM0027 \$12

9mm Firing Pin Spring ..... 9MM0027S \$2

**9mm Bolt Carrier Key** ..... 9MM0029 \$20

**9mm Extractor** ..... 9MM0037 \$25

9mm Extractor Pin ..... 9MM0038 \$1

**9mm Ejector** ..... 9MM0041 \$8

**9mm Bolt Catch** Only for use in 9mm Lower Assembly WITH integral Magwell. .... 9MM0103 \$8

**9mm Magwell Conversion Block**  
For lower receivers WITHOUT integral magwell.  
9MM0115 ..... \$150

**9mm Buffer** ..... 9MM0107 \$25

**9mm Stock Spacer** ..... 9MM0073 \$8

**CAR Action Spring** ..... AR0072A \$4

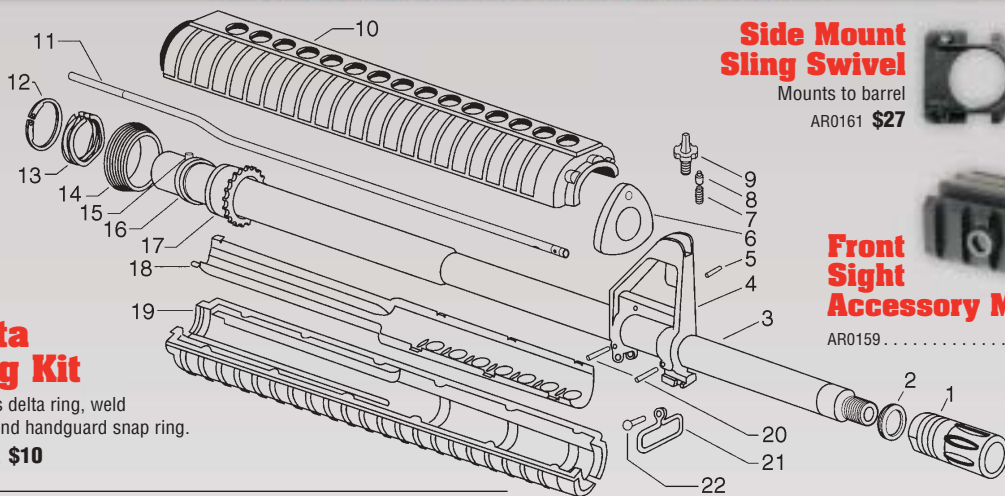
**9mm RRA LAR-9™ 10 Round Mag**  
9MM0116LC ..... \$45

**9mm UZI 25 Round Mag**  
Modified for conversion use ..... 9MM0116 \$35

**9mm LULA Mag Loader**  
For Colt SMG style mags.  
9MM0119 ..... \$34.25

9MM RIFLES / UPPERS / PARTS

# Barrel Assembly Parts



## Side Mount Sling Swivel

Mounts to barrel  
AR0161 \$27



## Front Sight Accessory Mount

AR0159.....\$40



## Delta Ring Kit

Includes delta ring, weld spring and handguard snap ring.

AR0014K \$10

1	<b>Flash Hiders &amp; Muzzle Brakes</b>	See Below
2C	Crush washer	AR0002C \$2.50
3	<b>Barrels</b>	See Page 31
4A	Front sight housing, with bayonet lug	AR0004A \$35.00
4B	Front sight housing, w/out bayo lug	AR0004B \$35.00
4NM	Front sight housing, NM	AR0004NM \$35.00
5	Gas tube roll pin	AR0005 \$ .50
6A	Handguard cap, round	AR0006A \$2.00
6B	Handguard cap, triangle	AR0006B \$2.00
7	Front sight detent spring	AR0007 \$ .50
8	Front sight detent	AR0008 \$ .75
9	Front sight post, square	AR0009 \$3.00
10	<b>Handguards</b>	See Pages 36 and 37
11A	Gas tube, CAR	AR0011A \$11.00
11B	Gas tube, standard	AR0011B \$11.00

11C	Gas tube, mid-length	AR0011C \$11.00
11NM	Gas tube, NM	AR0011NM \$11.00
12	Handguard snap ring	AR0012 \$1.00
13	Weld spring	AR0013 \$4.50
14	Delta ring	AR0014 \$6.00
15	Barrel indexing pin	AR0015 \$2.00
16	Barrel extension, .223	AR0016 \$20.00
17	Barrel nut, standard	AR0017 \$6.00
17NM	Barrel nut, NM	AR0017NM \$25.00
18	Handguard liner, each (2 required)	AR0018 \$3.00
20	Front sight taper pin, each (2 req'd)	AR0020TAP \$3.00
20	Front sight dowel pin, each (2 req'd)	AR0020DOW \$3.00
21	Front sling swivel	AR0021 \$3.50
22	Front sling swivel rivet	AR0022 \$1.00

## Gas Block Sight Base

AR0122ASY .....\$46

Varmint Barrel ..... AR0122VASV \$45



## Low Profile Gas Block

Low profile chrome moly steel gas block with manganese phosphate finish, for .750 diameter barrels ..... AR0122LPASY \$35



## RRA Flip Front Sight Gas Block Assembly

Gas block assembly with flip front sight, three sling swivels and tactical rail in bayonet lug position..... AR3330ASY \$85



## .223 Flash Hiders & Muzzle Brakes

### A1 Flash Hider

1/2-28 Thread ..... AR0001A1 \$7

### A2 Flash Hider

1/2-28 Thread ..... AR0001A2 \$6

### Tactical Muzzle Brake

AWB Compliant  
1/2-28 Thread ..... AR0117T \$35

### Military Style Brake

AWB Compliant  
1/2-28 Thread ..... AR0117MS \$35

### LE Compensator

AWB Compliant  
1/2-28 Thread ..... AR0117LE \$35

## Smith Vortex Flash Hider

1/2-28 Thread ..... AR0001V \$55



## Chrome Moly Barrel Assemblies

## Chrome Moly Barrel Assemblies

### New Lightweight Barrels!



5.56mm NATO chamber, 1:9 twist, 1/2-28 thread, with bayonet lug, barrel nut, handguard cap, front sight housing.

**16" CAR Heavy** ..... AR0200ASY \$190

With Chrome Lined Bore/Chamber ..... AR0200CLASY \$235

**16" Mid-Length Heavy** ..... AR0210ASY \$190

With Chrome Lined Bore/Chamber ..... AR0212ASY \$235

#### R-4 Profile



5.56mm NATO chamber, 1:9 twist, 1/2-28 thread, with bayonet lug, barrel nut, handguard cap, front sight housing.

**16" R-4 Heavy** ..... AR0202ASY \$190

With Chrome Lined Bore/Chamber ..... AR0204ASY \$235



.223 Wylde chamber, 1:9 twist, 1/2-28 thread, with bayonet lug, barrel nut, handguard cap, front sight housing.

**20" Standard Heavy** ..... AR0220ASY \$200

With Chrome Lined Bore/Chamber ..... AR0221ASY \$245



5.56mm NATO chamber, 1:9 twist, 1/2-28 thread, with bayonet lug, barrel nut, handguard cap, front sight housing.

**16" CAR Lightweight** ..... AR0232ASY \$190

With Chrome Lined Bore/Chamber ..... AR0232CLASY \$235

**16" Mid-Length Lightweight** ..... AR0213ASY \$190

With Chrome Lined Bore/Chamber ..... AR0213CLASY \$235

#### R-4 Profile



5.56mm NATO chamber, 1/2-28 thread, with bayonet lug, barrel nut, handguard cap, front sight housing.

**16" R-4 Lightweight, 1:9 Twist** With Chrome Lined Bore/Chamber ..... AR0219ASY \$235

**16" R-4 Lightweight, 1:7 Twist** With Chrome Lined Bore/Chamber ..... AR0205ASY \$235

## Stainless Steel Barrel Assemblies

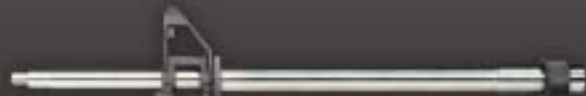
### AIR-GAUGED



.223 Wylde chamber, 1:8 twist, 1/2-28 thread, with bayonet lug, barrel nut, handguard cap, front sight housing.

**16" CAR Heavy** ..... AR0206ASY \$235

**16" Mid-Length Heavy** ..... AR0215ASY \$235



.223 Wylde chamber, 1:8 twist, 1/2-28 thread, with bayonet lug, barrel nut, handguard cap, front sight housing.

**20" Standard Heavy** ..... AR0222ASY \$250

## Stainless Steel Varmint

### AIR-GAUGED

.223 Wylde chamber, with Gas Block with Sight Rail. Barrel Diameter .920 in front of gas block, 1.050 under handguard.

**16" Varmint 1:8 Twist** ..... AR0208ASY \$260

**18" Varmint 1:8 Twist** ..... AR0218ASY \$270

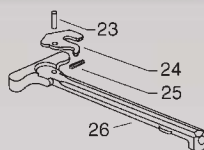
**20" Varmint 1:8 Twist** ..... AR0226ASY \$280

**24" Varmint 1:8 Twist** ..... AR0228ASY \$290

**24" Varmint 1:12 Twist** ..... AR0229ASY \$290



# Upper Receiver Parts



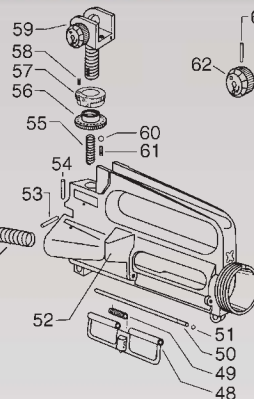
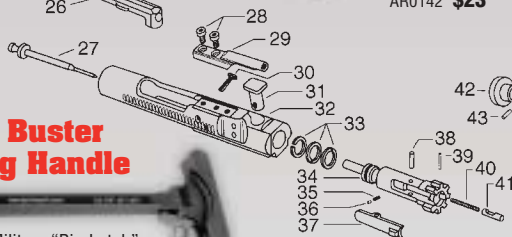
## Badger Tactical Latch

AR0142 \$23

## PRI Gas Buster Charging Handle

Featuring the Military "Big Latch".

AR0026GBASY \$90



23	Charging handle latch roll pin	AR0023	\$5.00	50	Ejection port cover pin	AR0050	\$1.00
24	Charging handle latch	AR0024	\$2.50	51	Pin retaining ring	AR0051	\$5.50
25	Charging handle latch spring	AR0025	\$5.00	52	<b>Upper Receivers</b>	See Page 33	
26	Charging handle	AR0026	\$21.00	53	Rear sight elevation spring pin	AR0053	\$5.50
27	Firing pin	AR0027	\$7.00	54	Forward assist spring pin	AR0054	\$5.50
28	Bolt carrier key screw, each (2 req'd)	AR0028	\$1.00	55	Rear sight elevation spring	AR0055	\$5.50
29	Bolt carrier key	AR0029	\$10.00	56	Rear sight elevation knob	AR0056	\$5.50
30	Firing pin retaining pin	AR0030	\$1.00	56NM	Rear sight elevation index knob, NM 1 piece	AR0056/57NM	\$20.00
31	Cam pin	AR0031	\$4.50	57	Rear sight elevation index	AR0057	\$5.50
32A	Bolt carrier, semi-auto	AR0032A	\$70.00	58	Index screw	AR0058	\$1.75
33A	Bolt gas ring <b>Improved</b> , each (3 req'd)	AR0033A	\$1.50	59	Rear sight assembly	AR0059	\$35.00
34	Bolt	AR0034	\$35.00	60	Ball bearing	AR0060	\$5.50
35	Extractor spring	AR0035	\$5.50	61	Elevation index spring	AR0061	\$5.50
36	Extractor spring insert	AR0036	\$5.50	62	Rear sight windage knob	AR0062	\$6.00
37	Extractor	AR0037	\$14.00	62LK	Rear sight windage knob, lockable	AR0062LK	\$8.00
38	Extractor pin	AR0038	\$1.00	62LKS	Lockable knob locking screw	AR0062LKS	\$1.50
39	Ejector roll pin	AR0039	\$5.50	63	Rear sight windage knob pin	AR0063	\$5.50
40	Ejector spring	AR0040	\$5.50	64	Rear sight index spring	AR0064	\$5.50
41	Ejector	AR0041	\$1.50	65	Rear sight ball bearing	AR0065	\$5.50
42	<b>Forward Assist Assembly</b>	AR0042ASY	\$10.50	66	Rear sight flat spring	AR0066	\$7.75
43	Pawl spring pin	AR0043	\$5.50	67	Rear sight aperture	AR0067	\$6.50
44	Pawl spring	AR0044	\$5.50	68	Rear sight ball bearing	AR0068	\$5.50
45	Pawl detent	AR0045	\$1.25	69	Rear sight helical spring	AR0069	\$5.50
46	Forward assist pawl	AR0046	\$4.00	70	Rear sight base	AR0070	\$17.00
47	Forward assist spring	AR0047	\$1.00	70NM	Rear sight base, NM	AR0070NM	\$26.00
48	Ejection port cover	AR0048	\$4.00	71	Rear sight windage screw	AR0071	\$3.00
49	Ejection port cover spring	AR0049	\$5.50	71NM	Rear sight windage screw, NM	AR0071NM	\$6.00

## Forged Charging Handle Assembly

AR0026ASY \$25

## Complete Bolt Carrier Group

AR0032AGRP ..... \$130

**Bolt Assembly** ..... AR0034ASY \$60

**Forward Assist Kit** ..... AR0042K \$12

**Port Door Kit** ..... AR0048K \$6.50

**A2 Rear Sight Kit** ..... AR0070STDKIT \$60

## Improved Bolt Gas Ring

Patented design assures ring gaps will not align.

Each, 3 required ..... AR0033A \$1.50

## Accu-Wedge Buffer

Drop-in installation, eliminates play between the upper and lower receiver. You won't need one on your RRA rifle, why not buy one for a friend ..... AR0190 \$6

**Offset Pin** Adapts large hole lower to small hole upper ..... AR0192 \$4

## Offset Bushing

Adapts large hole upper to small hole lower ..... AR0191 \$3



# RRA Forged Upper Receivers



UTE2 - with Rail Height same as A4 Upper

## Complete A2 Upper Receiver Assembly

With rear sight, forward assist and port door . . . . . AR0052AASY \$175  
Stripped A2 Upper Receiver . . . . . AR0052A \$110

## Complete A4 Upper Receiver Assembly

With forward assist and port door . . . . . AR0052BASY \$130  
Stripped A4 Upper Receiver . . . . . AR0052B \$110

## UTE2 - Universal Tactical Entry

### Complete UTE2 Upper Receiver Assembly

With rear sight, forward assist and port door . . . . . AR0052UASY \$210  
Stripped UTE2 Upper Receiver . . . . . AR0052U \$150

## EOP - Elevated Optical Platform

### Complete EOP Upper Receiver Assembly

With rail height 3/4" taller than the A4 Upper

With forward assist and port door . . . . . AR0052EASY \$150  
Stripped EOP Upper Receiver . . . . . AR0052E \$135

### A2 Carry Handle Assembly



With A2 Rear Sight . . . . . AR0052CASY \$135

### NM Carry Handle Assembly

Patent pending. A true 0 to 600 yard capable carry handle!

1/2min x 1/2min, .040 . . . . . AR0052CNMASY \$160  
1/2min x 1/2min, .030 . . . . . AR0052CNMASY2 \$160  
1/4min x 1/4min, .040 . . . . . AR0052CNMASY3 \$160  
1/4min x 1/4min, .030 . . . . . AR0052CNMASY4 \$160

### Tactical Carry Handle Assembly



Aimpoint Sight not included.

With A2 Rear Sight . . . . . AR0125ASSY \$175

### RRA Dominator2 EOTech Mount Assembly



Designed for FBI SWAT and HRT, the Dominator2 is the ideal EOTech mount, it places the dot just above the front sight post. With integral A2 Rear Sight and seven slots for great mounting flexibility.

AR0125FASSY . . . . . \$185

### Rock River Arms LAR-15™ Forged Lower Receiver



Stripped . . . . . AR0114RRA \$155

### RRA LAR-15™ Complete Lower Half

With A2 Buttstock

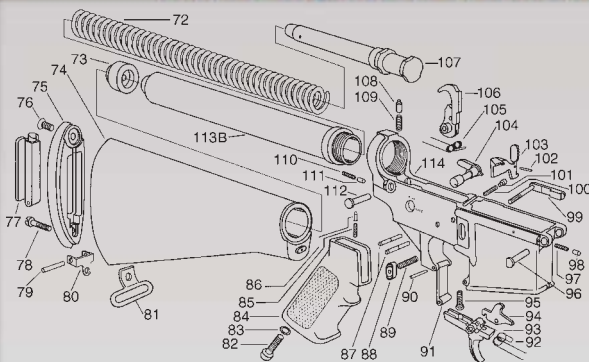
Standard Trigger . . . . . AR0900B \$275  
Two Stage Match Trigger . . . . . AR0940B \$365

With 6-Position Tactical CAR Stock

Standard Trigger . . . . . AR0901C \$290  
Two Stage Match Trigger . . . . . AR0990C \$380  
Substitute Green Buttstock and Grip . . . . . Add \$10

UPPER RECEIVERS / LOWER RECEIVERS

# Mil-Spec Lower Receiver Parts



87NM	Hammer and trigger pin, NM (2 req'd)	AR0087NM	\$2.00
88	Magazine release button	AR0088	\$2.00
89	Magazine catch spring	AR0089	\$5.50
90	Trigger guard pivot roll pin	AR0090	\$5.50
91	Trigger guard	AR0091	\$5.00
92	Trigger spring	AR0092	\$1.00
93	Trigger, standard	AR0093	\$12.50
94	Disconnecter	AR0094	\$4.00
95	Disconnecter spring	AR0095	\$5.50
96	Pivot pin	AR0096	\$3.50
97	Pivot pin spring	AR0097	\$5.50
98	Pivot pin detent	AR0098	\$5.50
99B	Magazine catch	AR0099B	\$5.00
100	Bolt catch spring	AR0100	\$5.50
101	Bolt catch plunger	AR0101	\$6.00
102	Bolt catch roll pin	AR0102	\$5.50
103	Bolt catch	AR0103	\$7.00
104	Safety selector lever, standard	AR0104	\$9.00
104	Safety selector lever, Ambi	AR0104AMBI	\$25.00
104D	Safety selector lever, Star	AR0104D	\$9.00
105	Hammer spring	AR0105	\$1.00
106	Hammer with J pin, standard	AR0106	\$15.00
107A	Buffer assembly, CAR	AR0107A	\$10.50
107AH	Buffer assembly, CAR heavy	AR0107AH	\$23.00
107B	Buffer assembly, standard	AR0107B	\$12.50
108	Buffer retainer	AR0108	\$7.00
109	Buffer retainer spring	AR0109	\$5.50
110	Takedown pin spring	AR0110	\$5.50
111	Takedown pin detent	AR0111	\$5.50
112	Takedown pin	AR0112	\$3.50
113A	Receiver extension, CAR	AR0113A	\$18.00
113B	Receiver extension, standard	AR0113B	\$16.50
113T	Receiver extension, entry length	AR0113T	\$20.00
	<b>New, Improved CAR Buttstock Lock Ring Nut</b>	AR0172CB	\$6.00

72A	Action spring, CAR	AR0072A	\$4.00
72B	Action spring, standard	AR0072B	\$4.00
73	Buttcap spacer	AR0073	\$1.50
74	Buttstock, black	AR0074	\$19.00
74G	Buttstock, green	AR0074G	\$20.00
75	Buttplate	AR0075	\$3.00
76	Buttplate screw	AR0076	\$2.50
77	Trap Door Assembly, plastic	AR0077PASY	\$5.00
78	Rear swivel screw	AR0078	\$1.00
79	Trap door hinge pin	AR0079	\$7.50
80	Trap door hinge	AR0080	\$3.00
81	Rear sling swivel	AR0081	\$2.75
82	Pistol grip screw	AR0082	\$1.00
83	Lock washer	AR0083	\$5.50
84	Pistol grip, black	AR0084	\$4.00
84G	Pistol grip, green	AR0084G	\$4.50
85	Safety detent spring	AR0085	\$5.50
86	Safety detent	AR0086	\$7.50
87	Hammer and trigger pin (2 req'd)	AR0087	\$1.10

## Mil-Spec Lower Receiver Parts Kits

<b>With Standard Trigger</b>	
Black Pistol Grip	AR0120 \$70
Green Pistol Grip	AR0120G \$70

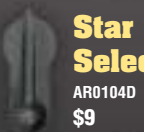
<b>With NM Two-Stage Trigger</b>	
Black Pistol Grip	AR0120NM \$180
NM Trigger, Green Pistol Grip	AR0120NMG \$180



Patent Pending

## RRA Winter Trigger Guard

AR0091W . . . . . \$15



## Star Safety Selector

AR0104D  
\$9

## Ambi Safety Selector

AR0104AMBI  
\$25

**New Style!**



## Ambi-Catch

Ambidextrous mag release, drop-in design.  
AR0099A . . . . . \$90



## Standard A2 Pistol Grip

Black . . . . . AR0084 \$4  
Green . . . . . AR0084G \$4.50



## Rogue Rubber Grip

Black . . . . . AR0084H \$22  
Green . . . . . AR0084HG \$24



## ERGO Grip

With Sure Grip, includes Gapper and rubber plug.  
Right Hand - Black . . . . . AR0084ER \$22  
Ambi - Black . . . . . AR0084E \$22  
Ambi - Green . . . . . AR0084EG \$24



## ERGO Grip Tactical Style

Ambidextrous, with Sure Grip no-slip surface.  
Black . . . . . AR0084ET \$60  
Green . . . . . AR0084ETG \$60



High Impact Composite  
for Strength and Durability!

With Pivoting  
Steel Swivel

## Tactical CAR Buttstock Kit

- Six Position Collapsible** Complete with buffer and spring.  
 Black ..... AR0250 **\$75**  
 Green ..... AR0250G **\$80**
- Fixed Position** AWB Compliant, complete with buffer and spring.  
 Black ..... AR0260 **\$65** / Green ..... AR0260G **\$70**

## Tactical CAR Stock Wrench

Engages the lock nut on the Tactical CAR stock. .... AR0165 **\$6**



## CAA Tactical Buttstock Kit

Six position collapsible with side mounted battery storage compartment and Picatinny rail. Includes buttstock with rubber buttpad, pivoting sling swivel, buffer, buffer tube, buffer spring, nut and collar.

- Black ..... AR0250C **\$90**  
 Green ..... AR0250CG **\$90**

## CAA Stock Saddle

Improved cheekweld for greater stability and accuracy, fits most 6 position stocks including RRA (does not fit CAA stock), with two waterproof storage compartments.

- Black ..... AR0255B **\$26**  
 Green ..... AR0255G **\$26**

## Standard A2 Buttstock Kit

Includes buttstock with buttplate, sling loop, buffer, buffer tube, buffer spring, spacer and screw.

- Black ..... AR0074K **\$57.50**  
 Green ..... AR0074GK **\$60**

- Assembly only** Includes buttstock with buttplate and sling loop.  
 Black ..... AR0074ASY **\$28**  
 Green ..... AR0074GASY **\$30**



## Entry Buttstock Kit

Complete with buffer and spring.

- Black ..... AR0074TK **\$57.50**  
 Green ..... AR0074TGK **\$60**



## ACE Skeleton Stock

**ARFX Full Size** Slips over standard A1/A2 receiver extension tube. With sling swivel and rubber buttpad ..... AR3100 **\$90**

**ARFXE Shorty** Receiver extension tube not included, Use AR0113T. With sling swivel, rubber buttpad ..... AR3105 **\$90**

## Magpul CTR Stock

- Drop in replacement carbine stock body. Adjustable for length of pull, features a unique locking mechanism that friction locks the stock to the buffer tube for zero movement. The CTR mounts on standard commercial carbine buffer tube/receiver extension.
- Magpul CTR Stock, Black ..... AR0250MB **\$170**  
 Magpul CTR Stock, Green ..... AR0250MG **\$170**

## Magpul PRS Precision Stock

- Drop in replacement A1/A2 stock body. Adjustable for both height and length of pull. At it's shortest LOP it is about the length of an A1 type stock and extends about a half inch longer than an A2 stock. The CTR mounts on standard A1/A2 buffer tube/receiver extension.
- Magpul PRS Stock, Black ..... AR0074MB **\$255**  
 Magpul PRS Stock, Green ..... AR0074MG **\$255**

BUTTSTOCKS





**A2 Handguards**

- Black ..... AR0010B \$19
- Green ..... AR0010BG \$19.50



**Mid-Length Handguards**

- Black ..... AR0010C \$19
- Green ..... AR0010CG \$19.50



**CAR Handguards**

- Black ..... AR0010A \$19
- Green ..... AR0010AG \$19.50



**R-4 Handguards**

- Black, with double heat shields ..... AR0010ASHS \$26
- Green ..... AR0010ASHSG \$20.50



**Free Float Aluminum Tube**

- Rifle Length ..... AR0010BAH \$75
- Mid-Length ..... AR0010CAH \$70
- CAR Length ..... AR0010AAH \$65
- Pistol Length ..... AR0010PAH \$55



**New Design! Quad Rail Aluminum Free Float**

- New lightweight design, hardcoat anodized to mil-spec.
- Rifle Length ..... AR0010G \$160
  - Mid-Length ..... AR0010H \$130
  - CAR Length ..... AR0010F \$120
  - Pistol Length ..... AR0010P \$105



**NEW! RRA Half Quad Aluminum Free Float**

- Unique free float handguard for mid-length gas system, front half is quad rail, back half is faceted aluminum.
- Half Quad, Mid-Length ..... AR0010HQ \$130



**Hogue Free Float Tube**

- Aluminum free float tube, overmolded with soft rubber.
- Standard Length, Black ..... AR0010BHH \$120
  - Standard Length, Green ..... AR0010BHHG \$120
  - CAR Length, Black ..... AR0010AAH \$95
  - CAR Length, Green ..... AR0010AAHG \$95



## Daniel Defense Quad Rail

### Aluminum Free Float Handguards



Designed to fit behind the front sight or gas block.

- Quad Rail 12.0 - Rifle Length . . . . . AR3083 **\$349**
- Quad Rail 9.0 - Mid-Length . . . . . AR3082 **\$315**
- Quad Rail 7.0 - CAR Length . . . . . AR3081 **\$279**



Designed to work with Carbine front sight.

- Quad Rail 12.0FSP - CAR Length . . . . . AR3085 **\$365**



Designed to work with front sight.

- Quad Rail 9.5FSP - CAR Length . . . . . AR3084 **\$325**
- Quad Rail 12.0FSPM - Mid-Length . . . . . AR3086 **\$365**



### Daniel Defense LITE Quad Rail For RRA LAR-8™ .308 Caliber

- LITE Rail 12.0 - Rifle Length . . . . . 308A3083 **\$399**
- LITE Rail 9.0 - Mid-Length . . . . . 308A3082 **\$347**



### Picatinny Rail Covers

- Solid Rail Cover, Five Slot, Black . . . . . AR3040 **\$4**
- Solid Rail Cover, Five Slot, Green . . . . . AR3040G **\$4**
- Solid Rail Cover, Ten Slot, Black . . . . . AR3041 **\$8**
- Solid Rail Cover, Ten Slot, Green . . . . . AR3041G **\$8**
- Solid Rail Cover, Fifteen Slot, Black . . . . . AR3042 **\$12**
- Solid Rail Cover, Fifteen Slot, Green . . . . . AR3042G **\$12**
- Ladder Rail Cover, Five Slot, Black . . . . . AR3043 **\$4**
- Ladder Rail Cover, Five Slot, Green . . . . . AR3043G **\$4**
- Ladder Rail Cover, Eighteen Slot, Black . . . . . AR3044 **\$12**
- Ladder Rail Cover, Eighteen Slot, Green . . . . . AR3044G **\$12**

## SureFire Tactical

### Aluminum Rail Handguards



- SureFire M82 - Rifle Length  
For triangular handguard cap . . . . . AR3005 **\$228**



- SureFire M85 - Mid-Length  
For triangular handguard cap . . . . . AR3010 **\$199**



- SureFire M73 - CAR Length . . . . . AR3000 **\$199**

### CTK P3 Mono-Grip

Vertical foregrip and monopod all in one, spring loaded design adjusts from 4.75" to 8". CNC machined billet aluminum with hard coat anodized finish and durable rubber foot.

- CTK P3 Mono-Grip . . . . . AR3230 **\$70**



### Graphite Fore Grip

Attaches to picatinny rails, quick detach.

- Black . . . . . AR3225 **\$42**
- Green . . . . . AR3225G **\$43.50**



### Midwest Industries Sling Adapters

#### Front Sling Adapter

Attaches to picatinny rails.

- AR3620 **\$34**

#### Quick Detach Front Sling Adapter

Attaches to picatinny rails.

- AR3622 **\$34**

#### Front Sling Adapter with Swivel Stud, attaches to picatinny rails.

- AR3621 **\$24**

#### Front Sling Adapter With Loop, attaches to picatinny rails.

- Patent US D508,726S . . . . . AR3619 **\$40**



## Turner Saddlery

### All Weather Synthetic Service Rifle Sling



CMP approved, 54"/56" adjustable with mil-spec parkerized steel hardware and copper rivets.

Turner AWS Sling - Black ..... AR0139B \$65  
Turner AWS Sling - Green ..... AR0139G \$65

### CMP Black Nylon Sling



Adjustable black nylon sling ..... AR0138 \$14

### Blue Force Gear UDC Slings



Single point design, completely adjustable and ambidextrous, sized for use over body armor. With quick release buckle, and choice of adapter.

With HK Style Hook Adapter ..... AR0137BH \$40  
With Quick Detach Adapter ..... AR0137BQ \$40

### Blue Force Gear UWL Adapter

Flexible, rugged and detachable sling mount for a wide variety of applications.

AR0137BU ..... \$19

### Midwest Industries QD Heavy Duty Rear Sling Adapter



No gunsmithing required, constructed of hard coat anodized 6061 aluminum with heavy duty mil-spec push button swivel.

MI MCTAR-30HD ..... AR3630 \$60

### Quick Detach Rear Sling Adapters



For Six 6 Position Tactical Stock ..... AR3624 \$40  
For Four Position CAR Stock ..... AR3623 \$40

### MAMBA Combat Sling

The first sling designed for full contact engagement with unique stretch "Power Strike Zone". Works for right or left hand shooters, with quick release buckles, customizable positioning and fast and easy transitions.

For A2 Buttstock ..... AR0137MA \$40  
For CAR/Tactical CAR Stock ..... AR0137MC \$40

### Eagle Tactical Assault Sling



A quality sling with black 1" webbing featuring a quick disconnect buckle and anti-noise padding. Allows the weapon to be carried in an assault position, then with an easy one thumb release, brought to shoulder. Rifle may also be slung over back for hands free carry.

TAS-1 For A2 Buttstock ..... AR0137EA \$31.50  
TAS-3 For CAR Stock ..... AR0137EC \$27.25

### Viking Tactics Quick Adjust VTAC Sling



Designed with the tactical shooter in mind, quickly adjusts to several different shooting positions as well as for carry slung tightly across the back, great for climbing, running, or while apprehending a suspect.

VTAC Sling ..... AR0137VTAC \$36

### CAR Stock Receiver End Plate



With dual sling loops ..... AR0144C \$14

### CAR Stock End Plate Adapters



Installs without removing extension.  
Slotted ..... AR3625 \$37  
Loop ..... AR3626 \$36

### A2 Stock Receiver End Plate



With single sling loop on left side for right hand shooters.  
AR0144A ..... \$32.50

ACCESSORIES



## RRA Stand Alone Rear Sight Assembly

Detachable with A2 rear sight. . . . . AR3305ASY **\$110**

## PADS Flip Rear Sight

Rugged back up iron sight with flip aperture, adjustable for windage and elevation.

AR0169E . . . . . **\$150**

## Flip-Up Rear Sight

Detachable flip-up rear sight with locking detent.

AR0169R . . . . . **\$105**

## A.R.M.S.® #40 Flip-Up Rear Sight

Spring loaded quick release, 250-300 meter and 500-600 meter flip apertures.

AR3812 . . . . . **\$96**

## A.R.M.S.® #40L Flip-Up Rear Sight

Same features as #40, but with lower profile, allowing more clearance for mounting optics . . . . . AR3812L **\$109**

## RRA Dominator2 EOTech Mount

Designed for FBI SWAT and HRT, the Dominator2 is the ideal EOTech mount, it places the dot just above the front sight post. With integral A2 Rear Sight and seven slots for great mounting flexibility.

AR0125FASSY . . . . . **\$185**

## RRA Scout Rail

Improved design!

AR0134 **\$72.50**

## Flip-Up Front Sight

Gas block mounting flip front sight, with smooth spring loaded ball bearing pivot and locking detent, hard coat anodized 6061 aluminum.

AR0168R . . . . . **\$90**

## Samson Quick Flip Folding Front Sight

Gas block mounting flip front sight, clears R4 handguards when folded, spring loaded deployment, hard coat anodized aluminum construction.

Samson FFS-EXT . . . . . AR0168S **\$125**

## Detachable Front Sight

AR0160 . . . . . **\$35**



## A2 Adjustable Cantilever Mount

Heavy duty and lightweight with MIL-STD 1913 rail, allows most optics to co-witness with iron sights . . . . . AR3629 **\$117**

## U.S. Tactical Systems A2 Handle Mount

AR0124 **\$24**

## Improved Flattop Riser Base

AR0136ASY **\$42.50**

## Hi-Riser Scope Mount with Rings

With integral 1 inch rings . . . . . AR0130 **\$47.50**



## RRA LAR-15™ .223 Caliber Magazines

- 10 Round .223 Caliber  
AR0116 ..... \$22
- 20 Round .223 ..... AR0116LE20RD \$18
- 30 Round .223 ..... AR0116LE30RD \$18



## Cammenga EasyMag 30 Round .223 Caliber

Slide open case design for fast loading, unloading, and cleaning, eliminates need for a mag loader. Can be loaded twice as fast as conventional mags when using loose ammo. The casing, follower, and baseplate are made of high-strength 1050 spring steel, finished with a two-layer anti-friction coating. Large tip-proof steel follower and chrome silicon main spring provide optimal feeding performance. **Great for .458 SOCOM!**  
Cammenga EasyMag ..... AR0116E \$40



## Magpul PMAG 30 Round .223 Caliber

The lightweight polymer PMAG features a pop-off storage/dust cover that alleviates pressure from the magazine feed lips, allowing for storage of loaded magazines without risk of feed lip creep. The PMAG utilizes a resilient stainless steel spring for corrosion resistance, anti-tilt follower for increased reliability, and textured surface for improved grip.  
Magpul PMAG, Black ..... ARAR0116MB \$15  
Magpul PMAG, Green ..... ARAR0116MG \$15



## PRI 6.8mm SPC Magazines

- 5 Round ..... SPC0116C05 \$43
- 10 Round ..... SPC0116C10 \$43
- 15 Round ..... SPC0116C15 \$43
- 25 Round ..... SPC0116C \$43

## 9mm RRA LAR-9™ 10 Round Mags

9MM0116LC ..... \$45

## 9mm UZI 25 Round Mags

Modified for conversion use ..... 9MM0116 \$35



## Beta C-Mag .223/5.56mm 100 Round Drum

- Twin drum design, comes with 5 round or 10 round loader and pouch.
- Black Pouch, 5 Round Personal Loader ..... AR3150 \$240
  - Green Pouch, 5 Round Personal Loader ..... AR3151 \$240
  - Desert Sand Pouch, 5 Round Personal Loader . . . . AR3152 \$240
  - Woodland Camo Pouch, 5 Round Personal Loader . . AR3153 \$240
  - Black Pouch, 10 Round Speed Loader . . . . . AR3154 \$242
  - Green Pouch, 10 Round Speed Loader . . . . . AR3155 \$242
  - Desert Sand Pouch, 10 Round Speed Loader . . . . AR3156 \$242
  - Woodland Camo Pouch, 10 Round Speed Loader . . AR3157 \$242

## Beta C-Mag 9mm 100 Round Drum

For 9mm AR's, with five round personal loader and black pouch.  
Beta C-Mag 9mm Drum . . AR3158 \$289



## LULA Mag Loaders

Loads and unloads mags in seconds, fast, safe, comfortable and painless to operate.

- .223 Caliber ..... AR0119 \$30
- Colt SMG Style 9mm  
9MM0119 ..... \$34.25
- FAL/.308 Inch and Metric  
308A0119. .... \$30



## CAA Mag Coupler

Expands ammunition capacity and saves reload time by joining two .223 AR magazines (also works on Ruger Mini 14 mags). Coupler will not scratch or deform mags. Lightweight and fiberglass, battle tested and now being used by front line forces in several theatres of operation.

CAA Mag Coupler ..... AR3062 \$14

## Original Bob Sled Single Shot Loader

Machined from a single piece of black Delrin, allows loading and firing of a single round for competition, benchrest or varmint shooting. The loading channel perfectly aligns the round to enter the chamber, and the plunger activates the bolt stop.

- OBS 10 Single Loader - Short ..... AR3355 \$43
- OBS 20 Single Loader - Tall ..... AR3350 \$43





## Ready-Fire MODE

### Buttstock Mag Pouch

Mounts securely to buttstock, holds 20 or 30 round .223 mags, constructed of high quality Cordura, reinforced at critical stress points, quick opening pull-tab.

For A2 Buttstock . . . . . AR3610A \$30

For CAR or Tactical CAR Stock . . . . . AR3610C \$30



### Spec-Ops Mag Pouches

Can be mounted to belts, and are compatible with both ALICE and MOLLE systems.

Constructed of double-wall Cordura with grommet drain holes.

X-2 - Holds two .223 mags . . . . . AR3613 \$20

X-4 - Holds four .223 mags . . . . . AR3611 \$25

X-6 - Holds six .223 mags . . . . . AR3612 \$30



### Spec-Ops Leg Rig Panel

This drop-leg modular panel allows easy access to cargo in numerous positions. It is fully adjustable, with comfortable breathable mesh panel, and is compatible with the MOLLE system.

Leg Rig . . . . . AR3615 \$50



### Spec-Ops Dump Pouch

Provides fast, easy and secure access with unique "trap-door port" for shoot and move operations. Easily attaches to Leg Rig, duty belts and MOLLE system.

Dump Pouch . . . . . AR3614 \$45



### Eagle Industries 9mm SMG Mag Pouch

The SAS MP-5 Mag Pouch allows you to carry three extra 9mm mags, The 2 inch wide leg straps allow you to wear it drop style, but it may also be worn on a belt. Features Fastex fasteners for securing mag flaps.

SAS-MP-5 SMG Mag Pouch . . . . . AR3605 \$63.50



## Eagle Rifle Cases



### Eagle Assault Rifle Case

Constructed of 1000 denier Cordura, fully padded with outside zippered cargo pocket and adjustable mag pouches, detachable shoulder strap and pad, "D" rings mounted in nylon webbing, triple stitched to case.

Eagle RC-4108 - 41" x 11.5" x 2.5" . . . . . AR3410 \$93.75



### Eagle Discreet Rifle Case

Great for low profile weapon carry, made with heavily padded abrasion and water resistant 1000 denier Cordura nylon. Has five internal mag pockets, hook and loop weapon keepers and a large padded zippered outer pocket. Available in rifle and carbine lengths.

Rifle Case - 42" x 13" x 2.5" . . . . . AR3400 \$115

CAR Case - 35" x 13" x 2.5" . . . . . AR3500 \$115



### Rock River Arms Safe Case

Lockable hard plastic case, provides safe and secure storage and transportation of your broken down rifle or carbine. This is the same case that ships with each RRA complete rifle, unless otherwise specified.

RRA Safe Case . . . . . ARCASE \$34

ACCESSORIES

## Versa-Pod Bipods

### Versa-Pod Model 2

Standard prone position bipod, with non-skid rubber feet, built-in pan and tilt, 9 inch to 12 inch adjustable leg height and Universal Mounting Adapter, mounts to any standard QD swivel stud.

AR0145 ..... \$76

### Versa-Pod Military Style

Quick detachable folding bipod, attaches to Picatinny or Weaver rails, with built-in pan and tilt, Raptor feet and 9 to 12 inch adjustable leg height.

AR0147 ..... \$200

### Versa-Pod Hybrid Style

Quick detachable folding bipod, with built-in pan and tilt, Raptor feet and 9 to 12 inch adjustable leg height. Includes Universal Mounting Adapter, mounts to any standard QD swivel stud.

AR0148 ..... \$210

### Versa-Pod A2 Handguard Adapter

AR0148B ..... \$34

### Versa-Pod Picatinny Rail Adapter

AR0146A ..... \$50

## Brass Deflectors

Brass Deflectors not for use with the RRA LAR-8™.

### A2 Carry Handle Mount

AR0185 ..... \$21

### A2 Removable Carry Handle Mount

AR0185C ..... \$21

### A4 Flattop Mount

AR0186 ..... \$21

### A4 Flattop Mount for use with EOTech

AR0187 ..... \$21

## RRA LAR-15™ Spares Kits

### RRA LAR-15™ Pin Kit

Includes all the pins you're likely to need to maintain your RRA LAR-15™.

RRA LAR-15 Pin Kit ..... AR3252 \$10.50

### RRA LAR-15™ Spring Kit

Includes all the springs you're likely to need to maintain your RRA LAR-15™.

RRA LAR-15™ Spring Kit - CAR ..... AR3255A \$20

RRA LAR-15™ Spring Kit - Rifle ..... AR3255B \$20

### RRA LAR-15™ "Oh Shoot" Kit

All of the parts and pieces for your LAR-15™ that you are most likely to wear out or lose at the worst possible time. Includes: 1 crush washer, 1 gas tube roll pin, 1 front sight detent and spring, 1 front sling swivel rivet, 1 charging handle latch roll pin, 2 firing pin retaining pins, 1 ejector, 1 ejector spring, 1 safety detent, 1 safety detent spring, 2 pivot pin springs, 2 pivot pin detents, 1 buffer retainer, 1 buffer retainer spring, 2 takedown pin springs, 2 takedown pin detents.

RRA LAR-15™ "Oh Shoot" Kit ..... AR3256 \$15

### A2 Front Sight Tool

A2 Front Sight tool, four prong ..... AR0163 \$7

### RRA Cleaning Station

AR0150 ..... \$40

### Dewey Breech Rod Guide

With o-ring seal to prevent oil, solvent and debris from entering the action. Constructed of anodized aluminum and delrin.

AR Style .223 Caliber ..... AR3590 \$21

AR Style .308 Caliber ..... 308A3590 \$25

AR Style 6.8 SPC Caliber ..... SPC3590 \$27

### .223 Caliber Cleaning Kit

With Pouch

AR3600 \$30

ACCESSORIES

# Aimpoint EOTech Holographic Sights

## Comp Series M2 & ML2 Red Dot Sights

Specially designed to meet law enforcement and military needs, can withstand the roughest physical handling and extreme weather conditions. The Comp ML2 is designed for use in daylight and in lowlight conditions. The Comp M2 offers compatibility with all generations of Night Vision Devices. With 4 MOA Red Dot reticle, 10 position switch, and hard anodized Graphite Gray finish. Mount pictured not included.

Aimpoint Comp ML2 ..... AR3685 **\$456.75**

Aimpoint Comp M2 ..... AR3680 **\$510**

## Aimpoint QRP Mount

For use with Picatinny bases.

QRP Mount ..... AR3686 **\$109**

Spacer shown installed, required to co-witness with QRP. .... AR3687 **\$12.50**

## Midwest Industries Aimpoint Rings

Height compatible for use with rear mounted back-up sight, hard coat anodized 6061 aluminum.

Standard Aimpoint Ring. .... AR3628 **\$144**

This cantilever ring is height compatible for use with rear mounted night vision monocular, hard coat anodized 6061 aluminum.

Cantilever Aimpoint Ring  
AR3627 ..... **\$199**

## Aimpoint 3XMag Magnifying Module

Specially designed for compatibility with Aimpoint sights, this revolutionary tool gives the user the ability to switch in a split second from CQB to semi-sniping and back. Can also be used as a

handheld magnifying monocular. Shown with optional QD Twist Mount.

Aimpoint 3XMag ..... AR3692 **\$556.50**

**Aimpoint QD Twist Mount** Mounts to Mil-std Picatinny rail, for quick attachment and detachment of 3XMag, co-witnessing with QRP requires a Spacer (AR3687) on the QD Twist Mount and on the QRP Mount. .... AR3693 **\$178**

## Samson Flip 3XMag Mount

Mounts the 3XMag to rail, flips magnifying module out of the way when not in use.

AR3694 ..... **\$219**

## Weapon Sights By L-3

EOTech 553  
shown



Holographic diffraction sight, instantly visible in any light, for true two eyes open shooting, with 20 brightness settings.

EOTech 511 Uses 2 "N" Batteries ..... AR3780 **\$389**

EOTech 512 Uses 2 "AA" Batteries ..... AR3781 **\$429**

## Night Vision Compatible Models:

EOTech 551 Uses 2 "N" Batteries ..... AR3782 **\$449**

EOTech 552 Uses 2 "AA" Batteries ..... AR3783 **\$519**

## NEW! EOTech 553 with Dual A.R.M.S. Throw Levers

Pictured above, mounts directly to A4 upper and when so mounted places dot/ring at same height as other EOTechs on the Dominator2.

EOTech 553 Uses 2 Lithium Batteries. .... AR3784 **\$679**

## RRA Dominator2 EOTech Mount

*Designed for FBI SWAT & HRT!*

The ideal EOTech mount, places the dot just above the front sight post. With integral A2 Rear Sight and 7 slots for mounting flexibility.

AR0125FASSY ..... **\$185**

## EOTech Magnifiers

Provides vastly improved accuracy at medium range distances, increased target recognition/identification at greater distances and rapid transition from Close Quarters Battle to medium range targeting - and back again. Retro-fits to all current models. The unique Holographic technology allows the center

dot to remain 1 moa in size while angular size of the target is magnified. Includes quick detach Flip-To-Side mount that provides elevation and azimuth adjustment to allow the reticle to be centered in FOV.

EOTech 3X.FTS Magnifier ..... AR3787 **\$529**

EOTech 4X.FTS Magnifier ..... AR3786 **\$859**



ACCESSORIES



# SUREFIRE WEAPONLIGHTS

## SureFire M951 XM05 WeaponLight



Six-volt shock-isolated system powered by two lithium batteries, provides 65 lumens for one-hour of runtime or 120 lumens for 20 minutes using optional ultra-high output lamp assembly. The system attaches to Picatinny Rail interface via an included dual thumbscrew mount. With 5" removable pressure-activated momentary-on tape switch and click-on/off momentary/constant pushbutton switch.

**SureFire M951 XM05** . . . . . AR3020 **\$344**

## SureFire M961 XM07 WeaponLight



Nine-volt shock-isolated system powered by three lithium batteries, provides 125 lumens for one-hour of runtime or 225 lumens for 20 minutes using the optional ultra-high output lamp assembly. Attaches to Picatinny Rail interface via an included dual thumbscrew mount. With 7" removable pressure-activated momentary-on tape switch and click-on/off momentary/constant pushbutton switch.

**SureFire M961 XM07** . . . . . AR3021 **\$383**

## SureFire M600 Scout Light



The lightweight Scout light attaches to a Picatinny rail with the included thumbscrew clamp. An extremely rugged and powerful LED module uses two lithium batteries to produce 65 lumens of light with a runtime of nearly three hours. With momentary on/off tape switch.

**SureFire M600A Scout Light** . . . . . AR3016 **\$375**

### SureFire M600 Scout Light Kit

Comes with Infrared Filter conversion kit and an LU60A incandescent lamp assembly . . . . . AR3015 **\$495**

## SureFire Vertical Foregrip WeaponLight



Powered by 3 lithium batteries producing 125 lumens for one-hour of runtime or 225 lumens for twenty minutes with the optional ultra-high output lamp. Includes two momentary activation pressure sensitive pads on either side of grip, a constant-on switch and a third momentary switch for the two low output white light LEDs.

**SureFire M910A-WH** - Pictured left  
With built-in dual thumb-screw mount . . . . . AR3031 **\$543**

**SureFire M900A-WH** - Pictured right  
With built-in A.R.M.S. Throw-Lever . . . . . AR3030 **\$616**

## SureFire M500A WeaponLight and Handguard



An integrated weaponlight and CAR length handguard combination. The WeaponLight is positioned to give a clear field of view, and is controlled by a momentary activation pressure sensitive pad and a constant-on rocker switch. 3 lithium batteries provide 125 lumens for one-hour of runtime or 225 lumens for 20 minutes with the optional ultra-high output lamp. Also features two low output white light LEDs.

**SureFire M500A-WH** . . . . . AR3035 **\$515**

## Surefire SR Plug-in Dual Switch with Rail Clip



Features momentary-on pressure pad switch, constant-on push button switch, and snap-on clamp for attachment to a Picatinny rail forend. Available in 5 inch and 7 inch.

**SureFire SR05** - 5 inch . . . . . AR3036 **\$75**

**SureFire SR07** - 7 inch . . . . . AR3037 **\$75**

## SureFire Spares Carrier



Impact resistant, O-ring sealed watertight polymer containers provide storage for six spare lithium batteries and spare lamp assembly, with convenient wrist lanyard.

**SureFire SC1** . . . . . AR3039 **\$17**

**SureFire SC2** . . . . . AR3038 **\$17**

ACCESSORIES



# .223 Caliber Pistol Upper Halves

Includes Bolt Carrier Group  
and Charging Handle Assembly

For pistol & SBR applications only; all NFA rules apply.

**7 Inch A2 Pistol** with A2 Front Sight,  
Aluminum Free Float Tube ..... AR0393B **\$525**

**7 Inch A4 Pistol** with Gas Block Sight Base,  
Aluminum Free Float Tube ..... AR0363B **\$535**

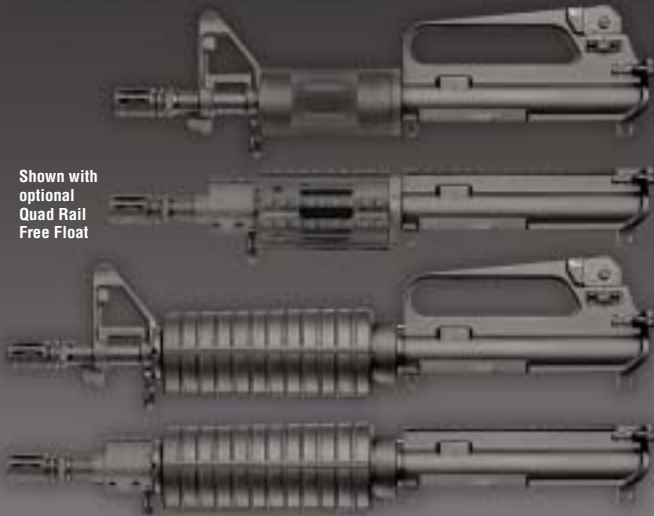
**10 1/2 Inch A2 Pistol** with A2 Front Sight,  
R-4 Handguard ..... AR0392B **\$480**

**10 1/2 Inch A4 Pistol** with Gas Block Sight Base,  
R-4 Handguard ..... AR0362B **\$490**

### STANDARD CONFIGURATION

CALIBER	.223/5.56mm NATO Chamber
UPPER RECEIVER	Forged A2 or Forged A4
BARREL	7 Inch or 10.5 Inch Chrome Moly, 1:9 Twist
MUZZLE DEVICE	A2 Flash Hider / 1/2-28 Thread

Shown with  
optional  
Quad Rail  
Free Float



# 9mm Caliber Pistol Upper Halves

Includes Bolt Carrier Group  
and Charging Handle Assembly

For pistol & SBR applications only; all NFA rules apply.

**7 Inch A2 Pistol** with A2 Front Sight,  
Aluminum Free Float Tube ..... 9MM0393B **\$545**

**7 Inch A4 Pistol** with Gas Block Sight Base,  
Aluminum Free Float Tube ..... 9MM0363B **\$560**

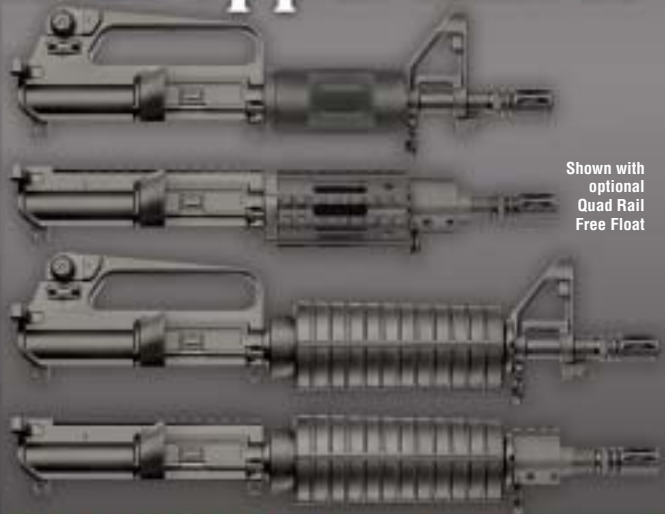
**10 1/2 Inch A2 Pistol** with A2 Front Sight,  
R-4 Handguard ..... 9MM0392B **\$510**

**10 1/2 Inch A4 Pistol** with Gas Block Sight Base,  
R-4 Handguard ..... 9MM0362B **\$515**

### STANDARD CONFIGURATION

CALIBER	9mm Luger Chamber
UPPER RECEIVER	Forged A2 or Forged A4
BARREL	7 Inch or 10.5 Inch Chrome Moly, 1:10 Twist
MUZZLE DEVICE	A2 Flash Hider / 1/2-36 Thread

Shown with  
optional  
Quad Rail  
Free Float



## RRA Pistol Lower Receivers



**Pistol Lower Receiver**  
.223 Caliber, stripped  
AR0114RRAP **\$155**



**Pistol Complete Lower Halves**

.223 Caliber ..... AR0950B **\$255**  
9mm, with integral Magwell ..... 9MM0950B **\$445**

**NEW! 9mm Pistol Lower Receiver Assembly**  
With Integral 9mm Magwell. Includes 9mm marked lower receiver, feed ramp, 9mm ejector, 9mm bolt catch, mag catch, spring and button. .... 9MM0114ASYP **\$325**

# .223 Caliber RRA LAR-15™ Pistols

## 7 Inch A2 Pistol

with Aluminum Free Float Tube and A2 Front Sight  
Standard Configuration ..... AR2115 **\$920**

## 7 Inch A4 Pistol

with Aluminum Free Float Tube and Gas Block Sight Base  
Standard Configuration ..... AR2110 **\$955**

## 10 1/2 Inch A2 Pistol

with R-4 Handguard and A2 Front Sight  
Standard Configuration ..... AR2125 **\$910**

## 10 1/2 Inch A4 Pistol

with R-4 Handguard and Gas Block Sight Base  
Standard Configuration ..... AR2120 **\$910**

### STANDARD CONFIGURATION

CALIBER	.223/5.56mm NATO Chamber
UPPER RECEIVER	Forged A2 or Forged A4
BARREL	7 Inch or 10.5 Inch Chrome Moly, 1:9 Twist
MUZZLE DEVICE	A2 Flash Hider / 1/2-28 Thread
TRIGGER / PISTOL GRIP	Single Stage / Hogue Rubber Grip
7 INCH A2: WEIGHT / LENGTH	5.1 Pounds / 23 Inches
7 INCH A4: WEIGHT / LENGTH	5.0 Pounds / 23 Inches
10 1/2 INCH A2: WEIGHT / LENGTH	5.5 Pounds / 26.5 Inches
10 1/2 INCH A4: WEIGHT / LENGTH	5.2 Pounds / 26.5 Inches
INCLUDED	One Mag, Manual, Warranty



Shown with optional Quad Rail Free Float

All NFA rules apply.

# 9mm Caliber RRA LAR-9™ Pistols

## 7 Inch A2 Pistol

with Aluminum Free Float Tube and A2 Front Sight  
Standard Configuration ..... 9MM2115 **\$1,090**

## 7 Inch A4 Pistol

with Aluminum Free Float Tube and Gas Block Sight Base  
Standard Configuration ..... 9MM2110 **\$1,105**

## 10 1/2 Inch A2 Pistol

with R-4 Handguard and A2 Front Sight  
Standard Configuration ..... 9MM2125 **\$1,045**

## 10 1/2 Inch A4 Pistol

with R-4 Handguard and Gas Block Sight Base  
Standard Configuration ..... 9MM2120 **\$1,055**

### STANDARD CONFIGURATION

CALIBER	9mm Luger Chamber
UPPER RECEIVER	Forged A2 or Forged A4
BARREL	7 Inch or 10.5 Inch Chrome Moly, 1:10 Twist
MUZZLE DEVICE	A1 Flash Hider / 1/2-36 Thread
TRIGGER / PISTOL GRIP	Single Stage / Hogue Rubber Grip
7 INCH A2: WEIGHT / LENGTH	4.8 Pounds / 23 Inches
7 INCH A4: WEIGHT / LENGTH	4.7 Pounds / 23 Inches
10 1/2 INCH A2: WEIGHT / LENGTH	5.2 Pounds / 26.5 Inches
10 1/2 INCH A4: WEIGHT / LENGTH	4.9 Pounds / 26.5 Inches
INCLUDED	One Mag, Manual, Warranty



Shown with optional Quad Rail Free Float

All NFA rules apply.

RRA LAR PISTOLS

Ultradot optic not included.



**All Also Available in 9mm!**

### **Bullseye Wadcutter .45 ACP**

With Rock River Arms Slide Mount  
.45 ACP. . . . . PS2100 \$1,715  
Also available in 9mm . . . . . Add \$200



Ultradot optic not included.  
Shown with optional Slide Racker, available separately.

### **Bullseye Wadcutter .45 ACP**

With Caspian Frame Mount or Weigand 3rd Gen Frame Mount  
.45 ACP . . . . . PS2102 \$1,750  
Also available in 9mm . . . . . Add \$200

# Bullseye Wadcutter

**Available with RRA Slide Mount, RRA Bullseye Rib, or your choice of Caspian Frame Mount or Weigand 3rd Gen Frame Mount**

Rock River Arms Forged NM frame with beveled mag well and your choice of 20, 25 or 30 LPI checkered front strap  
Rock River Arms Forged NM slide with double serrations

Lowered and flared ejection port

Beavertail grip safety with raised pad

Flat checkered mainspring housing (arched optional) with your choice of 20, 25 or 30 (std) LPI checkering

Commander hammer and match sear

Tuned and polished extractor, extended ejector

Aluminum speed trigger with crisp 3.5 lb pull

Serrated slide stop and two-piece recoil guide rod

Polished feed ramp, throated NM KART barrel with NM bushing

Super Rosewood grips and lustrous blued finish, with one magazine

Tuned for total reliability, guaranteed to shoot 1.5 inch groups at 50 yards with 185 grain Federal Gold Medal Match Semi-Wadcutter



### **Bullseye Wadcutter .45 ACP**

With Rock River Arms Bullseye Rib  
.45 ACP. . . . . PS2104 \$1,750  
Also available in 9mm . . . . . Add \$200

### **Bullseye Wadcutter Lower Half**

For .22LR Conversions. . . . . PS1900 \$775

RRA CUSTOM PISTOLS

## **RRA CUSTOM PISTOLS - OPTIONS & UPGRADES**

Most models available in 4.25, 5 and 6 inch, and in .45 ACP, 38 Super, .40 S&W and 9mm	Call for pricing
Hard Chrome Finish	Add \$210
Black "T" Finish	Add \$200 - Additional shipping charges will apply
Black/Green "T" Duotone Finish	Add \$225 - Additional shipping charges will apply
Supported Ramp Cut, all calibers, cut only	Add \$150
.45 ACP accurized to shoot 1.5 inch groups at 50 yards, guaranteed, not available on 4.25 inch barrel	Add \$150

Please call for Accurizing upgrade options on other calibers. All Rock River Arms Pistols come with a Trigger Lock.



# DCM Legal NM Hardball

Aluminum  
Speed Trigger

Your choice of 20, 25 or  
30 LPI Checkered Front Strap

## NM Hardball .45 ACP

Standard Configuration . . . . . PS2000 \$1,550  
Accurized to shoot 2 inch groups at 50 yards . . . . . Add \$150

- Rock River Arms Forged NM frame with beveled mag well and your choice of 20, 25 or 30 LPI checkered front strap
- Rock River Arms Forged NM slide with rear serrations
- Low mount Rock River Arms hidden leaf rear sight
- Lowered and flared ejection port
- RRA dovetail front sight with under cut, fully profiled to radius of slide
- Tuned and polished extractor and extended ejector
- Aluminum speed trigger with crisp 4 lb pull
- Flat mainspring housing (arched optional) with your choice of 20, 25 or 30 (std) LPI checkering
- Serrated slide stop and polished feed ramp
- Throated NM KART barrel with NM bushing
- Deluxe Walnut grips and lustrous blued finish, with one magazine
- Tuned for total reliability, guaranteed to shoot 3 inch groups or less at 50 yards with 230 grain Match Ball

# Basic Limited Match

Aluminum  
Speed Trigger

Shown with  
optional Duotone  
Black/Green "T" Finish

Shown with optional  
Heinie Magwell and Grip  
PS1238A \$150 - plus installation

## Basic Limited Match .45 ACP

Standard Configuration . . . . . PS2300 \$1,840  
Duotone Black/Green "T" Finish . . . . . Add \$225

- Rock River Arms Forged NM frame with beveled mag well and your choice of 20, 25 or 30 LPI checkered front strap
- Forged NM slide with low mount RRA hidden leaf rear sight
- Lowered and flared ejection port
- Match Commander hammer and match sear
- Tuned and polished extractor and extended ejector
- Beavertail grip safety and flat mainspring housing (arched optional) with your choice of 20, 25 or 30 (std) LPI checkering
- Aluminum speed trigger with crisp 3.5 lb pull
- Throated NM KART barrel with NM bushing
- Serrated slide stop and ambidextrous safety
- Rock River Arms dovetail front sight, fully profiled to radius of slide
- Two piece recoil guide rod and polished feed ramp
- Super Rosewood grips and lustrous blued finish, with one magazine
- Tuned for total reliability, guaranteed to shoot 2.5 inch groups at 50 yards with 185 grain Federal Gold Medal Match Semi-Wadcutter

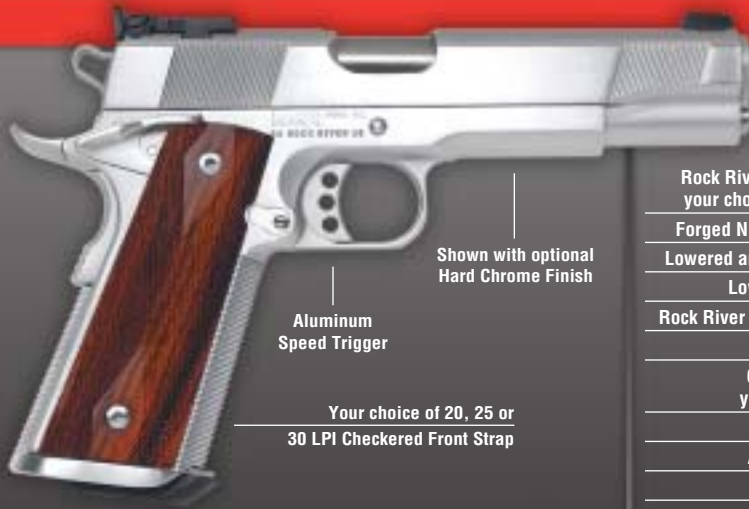
### RRA CUSTOM PISTOLS - OPTIONS & UPGRADES

Most models available in 4.25, 5 and 6 inch, and in .45 ACP, 38 Super, .40 S&W and 9mm	Call for pricing
Hard Chrome Finish	Add \$210
Black "T" Finish	Add \$200 - Additional shipping charges will apply
Black/Green "T" Duotone Finish	Add \$225 - Additional shipping charges will apply
Supported Ramp Cut, all calibers, cut only	Add \$150
.45 ACP accurized to shoot 1.5 inch groups at 50 yards, guaranteed, not available on 4.25 inch barrel	Add \$150

Please call for Accurizing upgrade options on other calibers. All Rock River Arms Pistols come with a Trigger Lock.

RRA CUSTOM PISTOLS





# Limited Match

Aluminum Speed Trigger

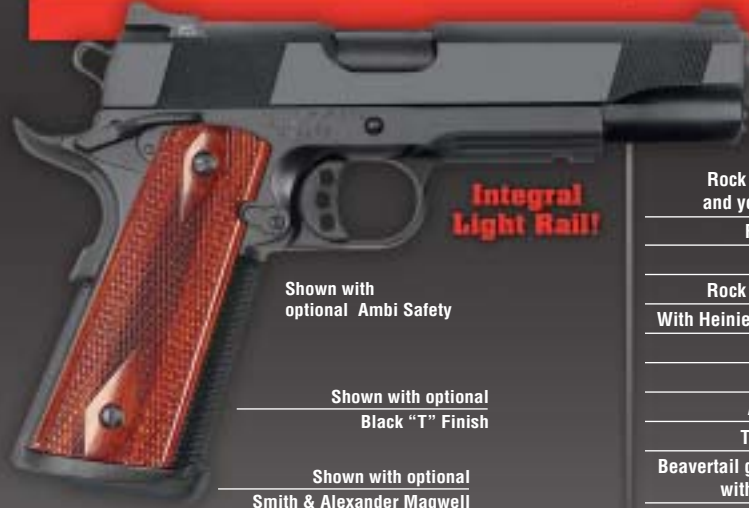
Shown with optional Hard Chrome Finish

Your choice of 20, 25 or 30 LPI Checkered Front Strap

## Limited Match .45 ACP

Standard Configuration . . . . . PS2400 **\$2,185**  
 Hard Chrome Finish Frame and Slide . . . . . Add \$210

- Rock River Arms Forged NM frame with beveled mag well and your choice of 20, 25 or 30 LPI checkered front and rear strap
- Forged NM slide, double serrations, with RRA Borders on sides
- Lowered and flared ejection port, flattened and 40LPI serrated top
- Low mount Rock River Arms hidden leaf rear sight
- Rock River Arms dovetail front sight, fully profiled to radius of slide
- 40 LPI checkering under trigger guard
- One piece mainspring housing (flat only) with your choice of 20, 25 or 30 (std) LPI checkering
- Match Commander hammer and match sear
- Aluminum speed trigger with crisp 3.5 lb pull
- Throated NM KART barrel with NM bushing
- Beavertail grip safety with raised pad, extended mag release button
- Tuned and polished feed ramp, two piece recoil guide rod
- Super Rosewood grips, lustrous blued finish, with one magazine
- Tuned for total reliability, guaranteed to shoot 1.5 inch groups at 50 yards with 185 grain Federal Gold Medal Match Semi-Wadcutter



# Tactical Pistol

**Integral Light Rail!**

Shown with optional Ambi Safety

Shown with optional Black "T" Finish

Shown with optional Smith & Alexander Magwell

## Tactical Pistol .45 ACP

Standard Configuration . . . . . PS2750 **\$2,040**  
 Black "T" Finish . . . . . Add \$200

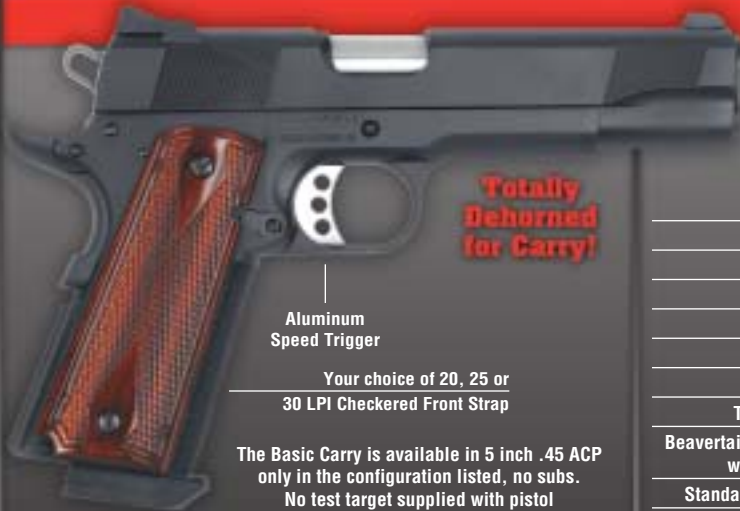
- Rock River Arms Bar Stock frame with integral light rail and your choice of 20, 25 or 30 LPI checkered front strap
- Forged NM 5 inch slide with double serrations
- Lowered and flared ejection port
- Rock River Arms dovetail front sight with tritium inserts
- With Heinie rear sight with tritium inserts, Novak rear sight optional
- Throated NM KART barrel with NM bushing
- Match Commander hammer and match sear
- Aluminum speed trigger with crisp 3.5 lb pull
- Tuned and polished extractor, extended ejector
- Beavertail grip safety and flat mainspring housing (arched optional) with your choice of 20, 25 or 30 (std) LPI checkering
- Tactical mag catch, tactical safety, standard recoil system
- Totally dehorned for carry
- Super Rosewood grips and lustrous blued finish, with one magazine
- Tuned for total reliability, guaranteed to shoot 2.5 inch groups at 50 yards with 185 grain Federal Gold Medal Match Semi-Wadcutter

RRA CUSTOM PISTOLS

### RRA CUSTOM PISTOLS - OPTIONS & UPGRADES

Most models available in 4.25, 5 and 6 inch, and in .45 ACP, 38 Super, .40 S&W and 9mm	Call for pricing
Hard Chrome Finish	Add \$210
Black "T" Finish	Add \$200 - Additional shipping charges will apply
Black/Green "T" Duotone Finish	Add \$225 - Additional shipping charges will apply
Supported Ramp Cut, all calibers, cut only	Add \$150

# Basic Carry



**Totally  
Dehorned  
for Carry!**

Aluminum  
Speed Trigger

Your choice of 20, 25 or  
30 LPI Checkered Front Strap

The Basic Carry is available in 5 inch .45 ACP  
only in the configuration listed, no subs.  
No test target supplied with pistol

## Basic Carry .45 ACP

Standard Configuration . . . . . PS2700 \$1,600

Rock River Arms Forged NM frame with your  
choice of 20, 25 or 30 LPI checkered front strap

Forged NM 5 inch slide with double serrations

Lowered and flared ejection port

RRA dovetail front sight, Heinie rear sight

Throated NM KART barrel with NM bushing

Match Commander hammer and match sear

Aluminum speed trigger with crisp 3.5 lb pull

Tuned and polished extractor and extended ejector

Beavertail grip safety and flat mainspring housing (arched optional)  
with your choice of 20, 25 or 30 (std) LPI checkering

Standard mag catch, tactical safety and standard recoil system

Parkerized finish, Super Rosewood grips, with one magazine

Tuned for total reliability, guaranteed to shoot 2.5 inch groups at  
50 yards with 185 grain Federal Gold Medal Match Semi-Wadcutter

# RRA Carry



**Totally  
Dehorned  
for Carry!**

Aluminum  
Speed Trigger

Shown with optional  
Black "T" Finish

Your choice of 20, 25 or  
30 LPI Checkered Front Strap

## RRA Carry .45 ACP

Available in 4.25 Inch, 5 Inch or 6 Inch

Standard Configuration . . . . . PS2200 \$1,920

Rock River Arms Forged NM frame with your  
choice of 20, 25 or 30 LPI checkered front strap

Forged NM 4.25 inch slide with double serrations

Lowered and flared ejection port

Rock River Arms dovetail front sight with tritium inserts

Throated NM KART barrel with NM bushing

Match Commander hammer and match sear

Aluminum speed trigger with crisp 3.5 lb pull

Tuned and polished extractor, extended ejector

Beavertail grip safety and flat mainspring housing (arched optional)  
with your choice of 20, 25 or 30 (std) LPI checkering

Tactical mag catch, tactical safety, standard recoil system

With your choice of Heinie or Novak rear sight with tritium inserts

Super Rosewood grips and lustrous blued finish, with one magazine

Tuned for total reliability, guaranteed to shoot 2.5 inch groups at 50  
yards with 185 grain Federal Gold Medal Match Semi-Wadcutter

## RRA CUSTOM PISTOLS - OPTIONS & UPGRADES

Most models available in 4.25, 5 and 6 inch, and in .45 ACP, 38 Super, .40 S&W and 9mm	Call for pricing
Hard Chrome Finish	Add \$210
Black "T" Finish	Add \$200 - Additional shipping charges will apply
Black/Green "T" Duotone Finish	Add \$225 - Additional shipping charges will apply
Supported Ramp Cut, all calibers, cut only	Add \$150
.45 ACP accurized to shoot 1.5 inch groups at 50 yards, guaranteed, not available on 4.25 inch barrel	Add \$150

Please call for Accurizing upgrade options on other calibers. All Rock River Arms Pistols come with a Trigger Lock.

RRA CUSTOM PISTOLS

# Limited Police Competition 9mm

Rock River Arms Forged NM frame with beveled mag well and your choice of 20, 25 or 30 LPI checkered front strap

Forged NM 5 inch slide with double serrations

Aristocrat 3 position rear sight and RRA dovetail front sight, tall, thinned and relieved for PPC. Front and rear sight available in Standard (.125 notch and blade) or Narrow (.090 notch and blade)

Smith & Alexander flat magwell, 20 (std), 25 or 30 LPI checkering

Lowered and flared ejection port

Match Commander hammer and match sear

Tuned and polished extractor and extended ejector

Beavertail grip safety and flat checkered mainspring housing

Aluminum speed trigger with crisp 3.5 lb pull

KKM match 1:32 twist 9mm barrel with supported ramp

Serrated slide stop and ambidextrous safety

Tuned and polished feed ramp, two piece recoil guide rod

Super Rosewood grips and lustrous blued finish, with two magazines

Tuned for total reliability, guaranteed to shoot 1.5 inch groups at 50 yards with quality 9mm 115-124 grain match ammunition



Aluminum Speed Trigger

Shown with optional Black "T" Finish

Your choice of 20, 25 or 30 LPI Checkered Front Strap

## Limited Police Competition 9mm

Standard Configuration . . . . . PS2615 **\$2,375**

Black "T" Finish . . . . . Add \$200

# Unlimited Police Competition 9mm

Rock River Arms Forged NM frame with beveled mag well and your choice of 20, 25 or 30 LPI checkered front strap

Forged NM 6 inch slide with double serrations

Aristocrat 3 position rear sight and RRA dovetail front sight, tall, thinned and relieved for PPC. Front and rear sight available in Standard (.125 notch and blade) or Narrow (.090 notch and blade)

Smith & Alexander flat magwell, 20 (std), 25 or 30 LPI checkering

Lowered and flared ejection port

Match Commander hammer and match sear

Aluminum speed trigger with crisp 3.5 lb pull

KKM match 1:32 twist 9mm barrel with supported ramp

Beavertail grip safety with raised pad, extended mag release button

Tuned and polished feed ramp, two piece recoil guide rod

Super Rosewood grips and lustrous blued finish, with two magazines

Tuned for total reliability, guaranteed to shoot 1.5 inch groups at 50 yards with quality 9mm 115-124 grain match ammunition



Aluminum Speed Trigger

Shown with optional Black "T" Finish

Your choice of 20, 25 or 30 LPI Checkered Front Strap

## Unlimited Police Competition 9mm

Standard Configuration . . . . . PS2610 **\$2,375**

Black "T" Finish . . . . . Add \$200

### RRA CUSTOM PISTOLS - OPTIONS & UPGRADES

Most models available in 4.25, 5 and 6 inch, and in .45 ACP, 38 Super, .40 S&W and 9mm	Call for pricing
Hard Chrome Finish	Add \$210
Black "T" Finish	Add \$200 - Additional shipping charges will apply
Black/Green "T" Duotone Finish	Add \$225 - Additional shipping charges will apply
Supported Ramp Cut, all calibers, cut only	Add \$150
.45 ACP accurized to shoot 1.5 inch groups at 50 yards, guaranteed, not available on 4.25 inch barrel	Add \$150

Please call for Accurizing upgrade options on other calibers. All Rock River Arms Pistols come with a Trigger Lock.

RRA CUSTOM PISTOLS

# RRA Service Auto 9mm



**New Model!**

Aluminum Speed Trigger

Your choice of 20, 25 or 30 LPI Checkered Front Strap

## RRA Service Auto 9mm

Standard Configuration . . . . . PS2715 \$1,790

- Rock River Arms Forged NM frame with beveled mag well and your choice of 20, 25 or 30 LPI checkered front strap

---

- Forged NM 5 inch slide with double serrations

---

- Rock River Arms fixed target rear sight and dovetail front sight, in Standard (.125 notch and blade) or Narrow (.090 notch and blade)

---

- Lowered and flared ejection port

---

- Match Commander hammer and match sear

---

- Tuned and polished extractor and extended ejector

---

- Beavertail grip safety and flat mainspring housing (arched optional) with your choice of 20, 25 or 30 (std) LPI checkering

---

- Match aluminum speed trigger with crisp 3.5 lb pull

---

- KKM match 1:32 twist 9mm barrel with supported ramp

---

- Extended tactical thumb safety, serrated slide stop and standard recoil system

---

- Super Rosewood grips and lustrous blued finish, with two mags

---

- Tuned for total reliability, guaranteed to shoot 1 inch groups at 25 yards with quality 9mm 115-124 grain match ammunition

# RRA Off Duty Carry (ODC) 9mm

**New Model!** Photo unavailable at presstime - watch [www.rockriverarms.com](http://www.rockriverarms.com) for photos and more info!

- Rock River Arms Forged Commander length frame with beveled mag well and your choice of 20, 25 or 30 LPI checkered front strap

---

- Forged 3.5 inch barstock slide with rear serrations only

---

- Rock River Arms fixed target rear sight and dovetail front sight

---

- Lowered and flared ejection port

---

- Match Commander hammer and match sear

---

- Tuned and polished extractor and extended ejector

---

- Match aluminum speed trigger with crisp 3.5 lb pull

- Beavertail grip safety and flat mainspring housing (arched optional) with your choice of 20, 25 or 30 (std) LPI checkering

---

- KART 3.5 inch 1:16 twist 9mm barrel with supported ramp

---

- Extended tactical thumb safety

---

- Reverse guide rod system

---

- Super Rosewood grips and lustrous blued finish, with one magazine

---

- Tuned for total reliability, guaranteed to shoot 1.5 inch groups at 25 yards with quality 9mm 115-147 grain match ammunition

**RRA Off Duty Carry (ODC) 9mm / 3.5 Inch** Standard Configuration . . . . . PS2625 \$2,000

## RRA CUSTOM PISTOLS - OPTIONS & UPGRADES

Most models available in 4.25, 5 and 6 inch, and in .45 ACP, 38 Super, .40 S&W and 9mm	Call for pricing
Hard Chrome Finish	Add \$210
Black "T" Finish	Add \$200 - Additional shipping charges will apply
Black/Green "T" Duotone Finish	Add \$225 - Additional shipping charges will apply
Supported Ramp Cut, all calibers, cut only	Add \$150
.45 ACP accurized to shoot 1.5 inch groups at 50 yards, guaranteed, not available on 4.25 inch barrel	Add \$150
Please call for Accurizing upgrade options on other calibers. All Rock River Arms Pistols come with a Trigger Lock.	

RRA CUSTOM PISTOLS





# RRA 1911 Style NM Frames

**Standard Frame** with .255 radius cut for beavertail safety.

- Un-checked front strap ..... PS1115 **\$290**
- 20 LPI high-checked front strap ..... PS1125 **\$330**
- 25 LPI high-checked front strap ..... PS1107 **\$330**
- 30 LPI high-checked front strap ..... PS1110 **\$330**
- Frame with Light Rail** 20, 25 or 30 LPI checkering ..... PS1127 **\$460**
- RRA Carry Frame** ..... add \$25.00 to prices above

## RRA NM Slides



### NM Slide, .45 ACP

- 4.25 Inch, with rear serrations, no sight cuts ..... PS1466 **\$260**
- 4.25 Inch, double serrations, no sight cuts ..... PS1467 **\$260**
- 5 Inch, with rear serrations, no sight cuts ..... PS1470 **\$230**
- 5 Inch, with double serrations, no sight cuts ..... PS1475 **\$230**
- 6 Inch, with rear serrations, no sight cuts ..... PS1491 **\$290**
- 6 Inch, with double serrations, no sight cuts ..... PS1492 **\$290**

### NM Slide, .38 Super or 9mm

- 5 Inch, with rear serrations, no sight cuts ..... PS1484 **\$260**
- 5 Inch, with double serrations, no sight cuts ..... PS1485 **\$260**
- 6 Inch, with rear serrations, no sight cuts ..... PS1493 **\$290**
- 6 Inch, with double serrations, no sight cuts ..... PS1494 **\$290**

- For 10mm or .40 S&W** ..... add \$20 to prices above
- Pre-Fit .45 ACP Frame to Slide** ..... add \$85
- Pre-Fit 38 Super or 40 S&W Frame to Slide** Includes cut for supported ramp . add \$185

## Spur Hammer

PS1210 ..... \$80

## Commander Hammer

PS1205 ..... \$80

## Bullseye Hammer

PS1206 ..... \$80

## RRA Slide Rackers

- Ambi. .... PS1508A **\$22**
- For left hand shooters ..... PS1508R **\$22**
- For right hand shooters ..... PS1508L **\$22**



## RRA Slide Mount

Attaches to slide using same hole pattern as Bomar Rib.  
Available in 5 inch or 6 Inch ..... PS1427 **\$35**

## 1911 Brass Deflector

Mounts to RRA Slide Mount.  
PS1575 ..... \$20

## SureFire MRO7

1911 adapter mount for SureFire Tactical Lights. Fits SureFire M001, M107, P001, P107 ..... PS1090 **\$150**

## RRA Bullseye Rib

With RRA Adjustable Target Rear Sight and RRA Partridge Front Sight.

- 5 inch ..... PS1396 **\$125**
- 6 inch ..... PS1397 **\$125**



## RRA .22LR Optic Rail

For .22LR Marvel conversions, made from steel to duplicate weight and feel of .45 slide. .... PS1436 **\$65**



## RRA Black Micarta Grip Panels

PS1158 **\$35**

## MIL-TAC G10 1911 Grip Panels

Machined from a black G10 laminate, impervious to solvents, heat, salt water, sweat and moisture. These grips will not crack or chip especially around grip screw holes.

- G10 Government ..... PS1158M **\$65**
- G10 Tactical, bevelled for mag well extension. .... PS1158MT **\$65**

RRA PISTOL PARTS

# RRA Pistol Customizing & Refinishing Services

RRA sight milled for low mount, hidden rear leaf, includes sight	\$180	Serrate rear of slide, refinishing not included	\$30
Install Heine rear sight, includes non-tritium sight	\$86	Serrate top of slide to match radius, refinishing not included	\$80
Install dovetail front sight, includes sight	\$30	Flat top and serrate top of slide, 40LPI, refinishing not included	\$100
Install Novak low mount rear sight, includes non-tritium sight	\$80	Tune pistol for total reliability, refinishing not included	\$75
Extractor tuned and polished, labor only	\$15	Add RRA borders on slide, refinishing not included	\$50
Lower and flare ejection port	\$40	Checker Para-Ordnnance front strap at 20 LPI, refinishing not included	\$300
Fit slide to frame	\$85	Add cocking serration to front of slide, refinishing not included	\$100
Fit slide to frame, alloy stainless steel - Colt	\$90	Stipple front strap, refinishing not included	\$150
Fit 5 inch barrel and bushing, .45ACP	\$225	Blue complete pistol	\$125
Fit fully supported chamber NM Barrel	\$280	Blue slide and small parts	\$60
Install match trigger, includes trigger	\$30	Blue frame and small parts	\$65
Action job	\$80	Parkerize complete pistol	\$55
Action job with NM hammer and sear	\$140	Parkerize slide and small parts	\$35
Fit extended ambidextrous thumb safety, refinishing not included	\$65	Parkerize frame and small parts	\$35
Bevel and polish mag well, refinishing not included	\$25	Hard chrome complete pistol	\$210
Install mag well to match bevel of frame, refinishing not included		Hard chrome slide and small parts	\$110
Smith and Alexander, includes housing	\$110	Hard chrome frame and small parts	\$100
Heinie, includes housing and grip	\$225	Black "T" finish complete pistol	\$200
Install beaver tail grip safety, includes safety, refinishing not included	\$75	Black "T" finish slide and small parts	\$100
Checker front strap at 20, 25 or 30 LPI, refinishing not included	\$160	Black "T" finish frame and small parts	\$100
Checker underneath or front of trigger guard, refinishing not included	\$50	Black/Green "T" duotone finish complete pistol	\$225

## RRA 1911 Pistol Parts

PS1001 KART .45ACP 5" barrel	\$132.00	PS1176 Grip screw, thin, blue	\$1.25
PS1030 NM barrel bushing, blue	\$20.00	PS1176S Grip screw, thin, stainless	\$1.75
PS1035 NM barrel bushing, stainless	\$17.00	PS1177 Grip screw bushing, thin, blue	\$1.25
PS1040 Barrel link	\$5.75	PS1177S Grip screw bushing, thin, stainless	\$1.50
PS1045 Barrel link pin	\$2.00	PS1180 Grip screw bushing	\$1.25
PS1050 Disconnecter	\$24.00	PS1181S Grip screw bushing, stainless	\$1.50
PS1055 Ejector pin	\$1.00	PS1185 Grip safety, standard	\$28.00
PS1060 Ejector, 9mm	\$20.00	PS1190 Grip safety, S&A, blue	\$35.00
PS1065 Ejector, .45	\$28.00	PS1190S Grip safety, S&A, stainless	\$36.00
PS1070 Extractor, .45	\$28.00	PS1200 Grip safety, Ed Brown, blue	\$35.00
PS1071 Extractor, 9mm	\$28.00	PS1200S Grip safety, Ed Brown, stainless	\$35.00
PS1076 Firing pin, 9mm	\$8.00	PS1205 Commander hammer	\$80.00
PS1080 Firing pin spring	\$3.00	PS1206 Bullseye hammer	\$80.00
PS1085 Firing pin stop, .45	\$15.00	PS1210 Spur hammer	\$80.00
PS1086 Firing pin stop, 9mm	\$16.00	PS1211 Light speed hammer	\$94.00
PS1150 Front sight, dovetailed and profiled, .180	\$12.00	PS1215 Hammer pin, blue	\$1.50
PS1152 Front sight, with fiber optic insert, .180	\$25.00	PS1220 Hammer pin, stainless	\$4.00
PS1155 Front sight, with tritium, .180	\$30.00	PS1225 Hammer strut	\$12.00
PS1160 Super rosewood grips, standard	\$24.00	PS1230 Hammer strut pin	\$7.50
PS1161 Super rosewood grips, mag well	\$24.00	PS1238 Mag well, Heinie, blue	\$150.00
PS1162 Super rosewood grips, mag well and ambi	\$26.00	PS1240 S&A mag guide, flat, checkered, blue, 20 LPI	\$95.00
PS1163 Super rosewood grips, thin	\$26.00	PS1241 S&A mag guide, flat, checkered, stainless	\$95.00
PS1166 Cocobolo grips	\$24.00	PS1245 S&A mag guide, arched, checkered, blue	\$82.00
PS1167 Cocobolo grips, mag well	\$24.00	PS1246 S&A mag guide, arched, checkered, stainless	\$82.00
PS1168 Cocobolo grips, mag well and ambi	\$26.00	PS1247 S&A mag guide, flat, checkered, blue, 25 LPI	\$95.00
PS1170 Grip screw, blue	\$1.25	PS1248 S&A mag guide, flat, checkered, blue, 30 LPI	\$95.00
PS1172 Grip screw, stainless	\$1.75		

# RRA 1911 Pistol Parts

PS1250	1911 7 round .45 ACP mag, blue, Killeen . . . . .	\$24.00	PS1404	Rear sight, Novak . . . . .	\$33.00
PS1250S	1911 7 round .45 ACP mag, stainless, Killeen . . . . .	\$33.00	PS1405	Rear sight, Aristocrat . . . . .	\$144.00
PS1255S	1911 9 round 9mm mag, stainless, Metalform . . . . .	\$43.00	PS1410A	7 lb standard recoil spring . . . . .	\$7.00
PS1260	Mag catch, standard, blue . . . . .	\$16.00	PS1410B	9 lb standard recoil spring . . . . .	\$7.00
PS1265	Mag catch, ext., tactical, blue . . . . .	\$20.00	PS1410C	11 lb standard recoil spring . . . . .	\$7.00
PS1270	Mag catch, standard, stainless . . . . .	\$16.00	PS1410	13 lb standard recoil spring . . . . .	\$7.00
PS1275	Mag catch, extended tactical, stainless . . . . .	\$20.00	PS1410E	16 lb standard recoil spring . . . . .	\$7.00
PS1280	Mag catch lock, blue . . . . .	\$3.00	PS1410F	18 lb standard recoil spring . . . . .	\$7.00
PS1285	Mag catch lock, stainless . . . . .	\$4.00	PS1410G	20 lb standard recoil spring . . . . .	\$7.00
PS1290	Mag catch spring . . . . .	\$1.00	PS1410H	16 lb Commander recoil spring . . . . .	\$7.00
PS1295	Mag release button, blue, 4-40 . . . . .	\$10.00	PS1410I	18 lb Commander recoil spring . . . . .	\$7.00
PS1295S	Mag release button, stainless, 4-40 . . . . .	\$10.00	PS1410J	20 lb Commander recoil spring . . . . .	\$7.00
PS1296	Mag catch, tapped 4-40, blue . . . . .	\$21.00	PS1414	2 piece recoil guide rod, 4.5" with plug . . . . .	\$30.00
PS1297	Mag catch, tapped 4-40, stainless . . . . .	\$21.00	PS1415	2 piece recoil guide rod, 5" with plug . . . . .	\$30.00
PS1300	Mainspring, 19 lb . . . . .	\$4.00	PS1415S	2 piece recoil spring guide rod, 5", stainless . . . . .	\$30.00
PS1305	Mainspring cap . . . . .	\$2.00	PS1416	2 piece recoil guide rod, 6", no plug . . . . .	\$30.00
PS1310	Mainspring cap pin, blue . . . . .	\$2.00	PS1419	6" recoil plug, for long slide w/standard spring . . . . .	\$14.00
PS1310S	Mainspring cap pin, stainless . . . . .	\$4.00	PS1420	Recoil guide plug, standard . . . . .	\$8.00
PS1315	Mainspring housing, arched, serrated, blue . . . . .	\$27.00	PS1421	Recoil spring guide, standard, blue . . . . .	\$20.00
PS1316	Mainspring housing, arched, 20 LPI, blue . . . . .	\$30.00	PS1422	Recoil plug, commander . . . . .	\$8.00
PS1317	Mainspring housing, arched, 30 LPI, blue . . . . .	\$30.00	PS1423	Recoil guide, commander . . . . .	\$15.00
PS1318	Mainspring housing, arched, 25 LPI, blue . . . . .	\$30.00	PS1424	2 piece recoil guide rod, 5", tungsten . . . . .	\$75.00
PS1320	Mainspring housing, flat, 20 lpi, blue . . . . .	\$27.00	PS1424A	2 piece recoil guide rod, 6", tungsten . . . . .	\$100.00
PS1322	Mainspring housing, flat, 25 lpi, blue . . . . .	\$27.00	PS1425	EGW reverse recoil plug . . . . .	\$27.00
PS1325	Mainspring housing, flat, 30 lpi, blue . . . . .	\$27.00	PS1440	Scope mount, Weigand 3rd Gen . . . . .	\$100.00
PS1335	Mainspring housing, flat, 20 lpi, stainless . . . . .	\$30.00	PS1445	Sear . . . . .	\$28.00
PS1340	Mainspring housing, flat, 30 lpi, stainless . . . . .	\$30.00	PS1446	Sear, low mass . . . . .	\$47.00
PS1355	Mainspring retainer . . . . .	\$2.00	PS1450	Sear pin, blue . . . . .	\$1.50
PS1360	Mainspring retainer pin, blue . . . . .	\$2.00	PS1455	Sear pin, stainless . . . . .	\$4.00
PS1365S	Mainspring retainer pin, stainless . . . . .	\$3.50	PS1460	Sear spring . . . . .	\$5.00
PS1370	Plunger spring . . . . .	\$1.50	PS1495	Slide stop, blue . . . . .	\$18.00
PS1375	Plunger tube, blue . . . . .	\$10.00	PS1500	Slide stop, stainless . . . . .	\$30.00
PS1376	Plunger tube, stainless . . . . .	\$14.00	PS1505	Slide stop plunger . . . . .	\$1.50
PS1385	Rear sight, Heinie Straight . . . . .	\$36.75	PS1505S	Slide stop plunger, stainless . . . . .	\$4.00
PS1385S	Rear sight, Heinie Slant Pro . . . . .	\$36.75	PS1510	Standard thumb safety . . . . .	\$19.00
PS1386	Rear sight, Heinie Straight Tritium . . . . .	\$76.00	PS1526	Ed Brown wide ambi safety, blue . . . . .	\$55.00
PS1386S	Rear sight, Heinie Slant Pro Tritium . . . . .	\$76.00	PS1527	Ed Brown wide ambi safety, stainless . . . . .	\$58.00
PS1387	Rear sight, Heinie Straight Novak . . . . .	\$36.75	PS1528	Ed Brown wide safety, blue . . . . .	\$30.00
PS1387S	Rear sight, Heinie Slant Pro Novak . . . . .	\$36.75	PS1529	Ed Brown tactical ambi safety, blue . . . . .	\$55.00
PS1388	Rear sight, Heinie Straight Novak & Tritium . . . . .	\$80.00	PS1530	Ed Brown tactical ambi safety, stainless . . . . .	\$58.00
PS1388S	Rear sight, Heinie Slant Novak & Tritium . . . . .	\$80.00	PS1531	Ed Brown tactical safety, blue . . . . .	\$30.00
PS1389	Rear sight, Heinie Slant Novak 3 Dot . . . . .	\$92.00	PS1532	Ed Brown tactical safety, stainless . . . . .	\$32.00
PS1390	Rear sight, RRA Adjustable Combat . . . . .	\$60.00	PS1533	Ed Brown wide safety, stainless . . . . .	\$32.00
PS1391	Rear sight, RRA Adjustable Combat, tritium . . . . .	\$100.00	PS1535	Thumb safety plunger . . . . .	\$1.50
PS1392	Rear sight, RRA Adjustable Target . . . . .	\$60.00	PS1535S	Thumb safety plunger, stainless . . . . .	\$4.00
PS1395	Rear sight, MMC with tritium . . . . .	\$103.00	PS1540	Match Trigger, speed . . . . .	\$20.00
PS1398	Sight rib, 5", Aristocrat . . . . .	\$200.00	PS1541	Match Trigger, medium . . . . .	\$20.00
PS1398A	Sight rib, 6", Aristocrat . . . . .	\$200.00	PS1542	Match Trigger, long . . . . .	\$20.00
PS1400	Rear sight, Novak with tritium . . . . .	\$90.00	PS1543	Match Trigger, extra long . . . . .	\$25.00
PS1401	Rear sight, Novak Adjustable with tritium . . . . .	\$120.00	PS1545	Match Trigger, short . . . . .	\$20.00
PS1401A	Rear sight, Novak Adjustable . . . . .	\$70.00			





Rock River Arms, Inc. • 1042 Cleveland Road, Colona, IL 61241 • Toll Free Order Line: 866-980-ROCK (7625)  
Tel: 309-792-5780 • Fax: 309-792-5781 • Email: [info@rockriverarms.com](mailto:info@rockriverarms.com) • [www.rockriverarms.com](http://www.rockriverarms.com)