

# **CHOATE**

## **MACHINE & TOOL, INC.**

**MAKERS OF THE ULTIMATE VARMINT & SNIPER STOCKS**  
**SHOTGUN STOCKS AND ACCESSORIES**  
**FULL LINE OF SYNTHETIC SEMI-AUTOMATIC STOCKS**



## **QUALITY**

Choate Machine & Tool, Inc. went into business in 1972. It was our goal from day one to establish a business founded on quality and the durability of the parts it manufactured. We have succeeded in establishing our company as the leader in firearm accessories around the world in both of these categories.

## **WARRANTY**

Choate Machine & Tool, Inc. have always had an UNCONDITIONAL WARRANTY on everything it makes. The warranty is for life, your life or the life of the weapon. If your accessory fails to function perfectly you get a new part with 'NO DUMB QUESTIONS ASKED'.

## **DURABILITY**

Our products are over designed and over built to last forever. We couldn't give a life time warranty if they were not. Our stocks are used by most of the law enforcement agencies around the world and in many 'life or death' situations. They absolutely cannot fail.

## **SERVICE**

No company can possibly give better service than Choate. We do this because we care.



Fred Choate

**PRESIDENT**



# CHOATE PISTOL GRIP AND SPORTER STOCKS



*Mini-14/30 Conventional*

## Mini-14/30 Conventional

You have asked for it, so we built it. Here is our Mini-14/30 Conventional stock. This stock resembles the wooden stock in appearance. Stock comes with a full 3/4" rubber recoil pad and two sling swivel loops. These stocks fit the 181 and up series only.

Mini-14/30 Conventional Stock

07-01-40



*Ruger 10/22 Pistol Grip*

## Ruger-10/22 Pistol Grip Stock

Make a great rifle even better with a Fast handling, lightweight, convenient pistol grip stock. This stock is made from tough fiberglass filled polymer. It has a 3/4" rubber recoil pad and two 1" sling swivels. It also comes with a free-ventilated hand guard and our famous lifetime warranty.

Ruger 10/22 Pistol Grip Stock

07-01-02



*M-1 Carbine Pistol Grip*

## M-1 Carbine Pistol Grip Stock

The M-1 carbine is an American Classic. Now you can enjoy this rifle even more with a Choate Full-length pistol grip stock. This stock comes with a 3/4" rubber recoil pad and two 1" sling swivel. A matching steel ventilated hand guard is also available and sold separately.

M-1 Pistol Grip Stock (M)

08-01-02



*Mini-14/30 Pistol Grip*

## Mini-14/30 Pistol Grip Stock

Constructed of a fiberglass filled polymer. These stocks are more comfortable than the traditional wooden stocks in the fact that with the pistol grip, you can hold the rifle in a more natural position. These stocks have a 3/4" rubber recoil pad and two 1" sling swivel loops. These stocks fit the 181 and up series only.

Ruger Mini-14/30 Pistol Grip Stock

07-01-12



*Mini-14/30 Dragunov*

## Ruger-10/22 & Mini 14 Dragunov Stock

Now you can enjoy your Ruger 10/22 or Mini 14 even more with the addition of our Dragunov Stock. This stock is a perfect match for your rifle and features a 1" rubber recoil pad, one 1/2" spacers, Russian style steel sling mount pin and a free ventilated hand guard with 10/22 only. These stock will fit the standard and the .920 diameter bull barrel. (Please specify when ordering.)

Ruger 10/22 Dragunov Stock

07-01-08

Ruger 10/22 Dragunov Stock (Bull Barrel)

07-01-10

Mini-14/30 Dragunov Stock

07-01-18



*Ruger 10/22 Dragunov*

No hand guard for Bull Barrel stocks.

## Ventilated Hand Guards

Avoid accuracy loss and extend the life of your barrel with one of our Ventilated Hand Guards designed to dissipate heat generated during rapid fire.

10/22 Ventilated Hand Guard

07-02-02

M-1 Steel Ventilated Hand Guard

08-02-02

Mini 14/30 Ventilated Hand Guard

07-02-04

S.K.S. Ventilated Hand Guard

18-02-06





# FOLDING STOCKS



*Tactical M-4 telescoping folder (pg. 9)*



Choate is proud to reintroduce its line of folding stocks. They are lightweight and very compact. Great for hiking, backpacking, guiding, riding in a car, or storage in your home. When folded, they cut 12 inches off the total length of your rifle. These stocks are made with quick opening housings. The folding stocks are very ridged when extended and insure a stable shooting platform for your rifle. The housing and arms are cast out of a high quality steel and then machined and blued in our factory. The cast arms are then molded with nylon polymer and fitted with a recoil absorbing rubber butt pad. These stocks are hand assembled and quality checked to be straight when in the opened position and lock up in the open position. The springs, housing, arms, and stocks are 100% made and assembled in the USA and carry the Choate lifetime guarantee.



- Mini-14 07-01-14
- Mini-14 Stainless - 07-01-16
- 10/22 07-01-04
- 10/22 Stainless - 07-01-06
- Camp 9mm/45ACP 14-01-01
- Camp 9mm/45ACP Stainless - 14-01-03
- SKS 18-01-04
- M-1 Military 08-01-04



# CHOATE S.K.S. STOCKS



*Ship your old wooden handguard and your new plastic handguard along with \$6.50 to us and we will install your new upper handguard for free.*

## S.K.S. Stocks

Our S.K.S. stocks are made from the highest quality fiber reinforced polymer. The stocks feature our lifetime warranty and have a standard 13 5/8" length of pull which is much longer than the original wood SKS stocks. Available in black. Ventilated hand guard included.

S.K.S. Conventional Stock

18-01-02



*Recoil compensator, scope mount and scope not included.*

## S.K.S. Dragunov Stock

Our S.K.S. Dragunov stock is made of the finest fiberglass filled polymer available today. It features a full 1" rubber recoil pad, our famous spacer system, and Russian style steel sling mount pin. Cheek piece and matching ventilated handguard included.

S.K.S. Dragunov Stock

18-03-02

S.K.S. Dragunov Stock

(Green) 18-03-05



## MAK-90/AK-47 Stock

Our Dragunov Design MAK-90/AK-47 stock features a convenient thumbhole design and our adjustable length of pull spacer system. This system allows you to adjust the length of pull from 13" to a 14 1/2" length by adding spacers. Other features include tough fiberglass filled polymer, black matte textured finish, 1" thick rubber recoil pad, Russian style steel sling mount pin and we include a matching upper and lower hand guard with our stocks. (You may order spacers and a matching cheek piece for scope use separately if needed.) Please specify milled or stamped receiver when ordering. Also available in OD green.

MAK-90/AK-47 Dragunov Stock Milled Receiver 18-03-06

MAK-90/AK-47 Dragunov Stock Stamped Receiver 18-03-08

Hungarian AK 47 23-03-02



## S.K.S. Recoil Compensator

Choate Machine & Tool makes a recoil compensator for the popular S.K.S. rifles. These compensators are acid-bath blued and simply slide over the end of the barrel and attach to your bayonet ring. (Can not be used with bayonet.)

S.K.S. Recoil Compensator

18-07-02



## Choate S.K.S. Scope Mount

Our S.K.S. Scope Mounts are second to none in quality and workmanship. They are invest cast out of 4140 steel and blued to match the gun's finish. These mounts are designed to use Weaver type one inch rings and are raised to allow the shooter to use the iron sights as well as a scope.

S.K.S. Scope Mount

18-08-02

*\*must be installed by a gunsmith.*



# CHOATE SHOTGUN STOCKS & MATCHING FOREND

Choate introduces its new line of Picatinny rail forends. If you are looking for a less expensive solution to making your shotgun a tactical entry or home defense weapon, then we have the forend for you. Our forend kit includes a forend with pre-drilled holes and a 1-1/2 inch piece of picatinny rail. To attach our rail at 3-6-9 o'clock position, you simply use a Phillips head screwdriver and screw in 4 screws (provided). It accepts all tactical light mounts that fit on 1913 picatinny style rails. This includes Surefire®, Streamlight®, Pelican®, Pentagon® and Glock lights®.

Remington 1100 Forend w/Picatinny	01-02-23
Remington 870 Forend w/Picatinny	01-02-22
Mossberg 500 Forend w/Picatinny	02-02-22
Mossberg 500 Forend short w/Picatinny	02-02-26

## Choate Synthetic Forends

Choate Synthetic Forends go great with our pistol grips and Conventional Stocks. Made of fiberglass filled plastic, they look good and will last a lifetime. (No forend for Winchester 1400, Mossberg 5500/9200). Mossberg 835 forends are shorter than standard Mossberg 500 forends.

Remington 870 Forend	01-02-02
Remington 870 lt. wt. Forend 20 Gauge	01-02-14
Remington 1100/1187 Forend	01-02-12
Mossberg 500/600 Forend	02-02-02
Winchester 1200/1300 Forend	03-02-02
Ithaca 37 Forend	04-02-02
Mossberg 835/590 Short Forend	02-02-06

## MK 5 Conventional Stock

Choate Machine & Tool's MK5 Conventional Stock features our new spacer system which was originally designed for the police and military for use with the latest body armor; however, they work great for the hunter and recreational shooter as well. These stocks have our innovative spacer system and come with two 1/2" spacers included which adjusts the length of pull from 13" to 14". You can lengthen your stock by simply adding new spacers and longer screws. Our stocks are made of the finest materials available and carry our lifetime warranty.

Remington 870	01-01-44
Remington 1100/1187	01-01-52
Remington 870 Lightweight 20g	01-01-48
Mossberg 500	02-01-30
Mossberg 5500/9200	02-01-32
Ithaca 37	04-01-12
Winchester 1200/1300/1400	03-01-08



*Conventional Mark 5*

# CHOATE SHOTGUN STOCKS & MATCHING FOREEND



*Pistol Grip Mark 5*

## **Choate Pistol Grip Stock (Mark 5)**

This stock reduces felt recoil and muzzle climb to make follow-up shots faster and more accurate. Single-handed firing is also made much easier. The stock is made of tough fiberglass filled plastic and comes with a 1" rubber recoil pad and a quick detach swivel stud. These stocks have our innovative spacer system and come with two 1/2" spacers included which adjusts the length of pull from 13" to 14".

Remington 870	01-01-42
Remington 870 Lightweight Pistol Grip Stock	01-01-50
Remington 1100/1187	01-01-34
Winchester 1200/1400	03-01-06
Mossberg 500/600	02-01-28
Mossberg 5500 & 9200 Pistol Grip Stock	02-01-34
Ithaca 37	04-01-08



## **Pistol Grip Youth Body Armor Stock**

Same great attributes of our popular Mark 5 pistol grip stock but with a shortened length of pull of 11 3/4 inches.

Remington 870	01-01-46
Remington Lightweight 870	01-01-38
Mossberg 500	02-01-08
Mossberg 5500	02-01-24

## **Conventional Youth Body Armor Stock**

Same great attributes as Mark 5 conventional stock but has an 11 3/4 inch length of pull.

Remington 870	01-01-36
Remington Lightweight 870	01-01-40
Mossberg 500	02-01-10
Mossberg 5500	02-01-26



## **Mark 6**

Our Mark 6 stock has all the features of the Mark 5 stocks and will hold five rounds in the bottom. It will take 2 3/4 to 3 1/2 inch 12 ga. shells, you can adjust how hard the shells are to remove by tightening the adjustment screws on the side of the shell holder. Can be special ordered in orange for less than lethal guns.

Remington 870	01-01-14
Mossberg 500	02-01-15



## **Old Style Skeletonize Stocks**

Our original old style conventional stocks that have the same feel as your original wood stock but the durability of a composite stock.

870 Conventional Stock	01-01-04
Winchester Conventional Stock	03-01-04
Ithaca Conventional Stock	04-01-04
Mossberg Conventional Stock	02-01-04





# LESS THAN LETHAL & O.D. GREEN

## Green and Less Than Lethal Stocks

These stocks are made of the same fiber filled polypropylene as all of our black stocks. The die has been changed in order to achieve the Olive Drab Green and the Less than Lethal Orange coloring. The bright Orange of our less than lethal firearm stock gives quick recognition for police officers. The Mark 6 was actually designed for Less than Lethal shot. The shell holder in the butt stock allows the user to see what type of shell he is choosing before removing the shell from the shell carrier. This saves time and helps to insure proper use of different shot shells. When fully loaded the Mark 6 stock carries 5 extra shells. The shell carriers can be individually adjusted to ensure a tight hold on the shot shell and accommodates all 12 gauge shells from 2-3/4" to 3-1/2" inches in length.

MK5 Orange Remington	01-01-17
MK5 Orange Mossberg	02-01-36
MK5 Orange Mossberg Short	02-01-38
MK5 Green Remington	01-01-19
MK5 Green Mossberg	02-01-37
MK5 Green Mossberg Short	02-01-39
SKS Dragunov Green	18-03-05
10/22 Pistol Grip	07-01-03
10/22 Dragunov Green	07-01-09
Mini 14 Green Pistol Grip	07-01-13
MK 90 Green Milled	18-03-07
MK 90 Green Stamped	18-03-09



# CHOATE BUTT PADS AND SPACERS

## Thin Butt Pads

Our thin butt pads are designed to work on all of our stocks that use our spacer system. The hard 1/4 inch pad is for when you need the shortest length stock you can get. Our 1/2 inch pad is for shooters that want short length without giving up the rubber pad so the stock will not slide when the weapon is shouldered.

1/4" Hard Plastic (fits YBA stocks)	18-06-04
1/2" Rubber Coated (fits YBA stocks)	18-06-05

## Spacers for Mark 5, Mark 6, All Drag, Varmint And Sniper

Extra spacers for all our stocks that have the adjustable length of pull system. you can make your stocks as long as you need to get the perfect length of pull by adding any combination of these spacers. Each set comes with screws and a spacer. (NOTE) There is a difference between the spacers for the Ultimate Sniper stock and all the other stocks that have the spacer system.

1/4" Spacer	18-05-03
1/4" Sniper Spacer	18-05-12
1/2" Spacer	18-05-05
1/2" Sniper Spacer	18-05-10
(2) 1/2" Sniper Spacer	18-05-14
3/4" Spacer	18-05-07
3/4" Sniper Spacer	18-05-15





# SHOTGUN FOLDING STOCKS



## Tactical M-4 Style Telescoping Folder

Choate now offers a pistol grip and telescoping folder for the 7615P Patrol Rifle, 7400, 742, 7600, 870, 870 Lightweight from Remington. This stock can be shortened for use as an entry weapon. Collapsing it will help to prevent muzzle flapping and allow for close quarters combat. Rapidly extend the stock to full length for long range shooting from any position. The folding abilities of the stock adds yet another dimension of convince allowing you to easily manipulate the weapon while in a patrol car or civilian vehicle.

Remington 7615P M4 folder	01-01-60
Remington 7600, 7400, 742 M4 folder	01-01-60
Remington 870 Lightweight M4 folder	01-01-60
Remington 870 Standard 12ga. M4 folder	01-01-61



## Top Folding Shotgun Stocks

Our top folding stocks make an excellent compact package. These stocks are custom fit and are made of solid steel. This stock is operated with a simple push of a thumb button to lock it in either the open or closed position. This stock fits riot guns with rifle sights and ventilated rib barrels. Not for use with Ghost Ring style sights.

870 Top Folder	01-01-12
Mossberg 500/600/590 Top Folder	02-01-12
Winchester 1200/1300/1400 Top Folder	03-01-12



## Side folding Shotgun Stocks

Our side folding shotgun stocks must be used with our minimum length spool forend, which is included with the folder kit. The folders are made of 4140 steel and fiberglass filled plastic. They come with a 3/4" recoil pad and sling loops. (No forend with the Winchester-1400 or Fabarm FP6)

870 Side Folder	Black-01-01-22
Mossberg Side Folder 500/600/590	Black-02-01-22
Winchester Side Folder	Black-03-01-22
Ithaca 37 Side Folder	Black-04-01-22
Fabarm FP6 Folder	Black-15-01-01



## Choate Pistol Grips & Pistol Grip Forends

There are several advantages to having a Pistol Grip Forend. By holding the gun in a more natural position, it is easier to control and aim. It also protects the shooter's hand from slipping off the forend during rapid fire. These pistol grip forends are constructed of fiberglass reinforced polymer and will give a lifetime of shooting performance. Mossberg 835 forends are shorter than standard Mossberg 500 forends.

Ithaca 37 Pistol Grip	04-03-02
H&R/NEF 410/20/16/12 Pistol Grip	19-03-02
Mossberg 500/600 Pistol Grip Forend	02-02-04
Mossberg 500/600 Short Pistol Grip Forend	02-02-08
Mossberg 835 and 500 Pistol Grip	02-03-02
Remington 870 Pistol Grip Forend	01-02-04
Remington 870 Pistol Grip	01-03-02
Winchester 1200/1300 Pistol Grip Forend	03-02-12
Winchester 1200/1300/1400 Pistol Grip	03-03-02





# CHOATE MAGAZINE EXTENSION



Increase your fire power anywhere from 2 to 5 shells with our shotgun magazine extension kits. These extensions are great for law enforcement officers and competition shooters in reducing the time to reload. They are also a must for home protection.

These kits are constructed of solid blued steel and come with spring, base clamp & follower.

### *Kit includes:*

- 1 Magazine Extension - (7,8, 9 or 10 shot),
- 1 Base Clamp
- 1 High Visibility Shell Follower.

*The new model Remington 870/1100/1187 shotguns have dimples that will have to be drilled out with 3/16 drill bit before the spring will extend up into the magazine extension. The older model Remington 870/1100/1187 will readily accept our extensions without any alterations. No extensions for Mossberg 500/600/590.*

### *Will Fit:*

Remington 870/1100/1187  
 Mossberg 5500/9200/835/935 (9200 must have special shell follower)  
 Winchester 1200, 1300, Ranger 120 & Defender  
 Fabarm FP6

- 7 Shot Model fits 18" barrel or longer.
- 8 Shot Model fits 20" barrel or longer.
- 9 Shot Model fits 24" barrel or longer.
- 10 Shot Model fits 26" barrel or longer.

(Sling Swivel base clamps included with most Magazine Extension Kits to add needed support. Remington Lightweight Extensions require our lightweight base clamps.)

Fabarm FP6 and Mossberg 835 kits don't include base clamps.

### **Extra Magazine Extensions Springs**

(If you intend to leave your shotgun loaded with the Spring Compressed, you will need an extra spring so they can be rotated to avoid losing their tension.)

- 7 & 8 Shot Extra Springs 60-09-11
- 7 & 8 Shot Extra Springs 20 ga. Lt. Wt. Spring 60-09-14
- 9 & 10 Shot Extra Springs 60-09-12



Fabarm FP6	7 Shot-15-04-02
Fabarm FP6	8 Shot-15-04-03
Mossberg 835	7 Shot-02-04-12
Mossberg 835	8 Shot-02-04-13
Mossberg 5500 (fits 935)	7 Shot-02-04-02
Mossberg 5500 (fits 935)	8 Shot-02-04-03
Mossberg 5500 (fits 935)	9 Shot-02-04-04
Mossberg 5500 (fits 935)	10 Shot-02-04-05
Remington 870/1100/1187	7 Shot-01-04-02
Remington 870/1100/1187	8 Shot-01-04-03
Remington 870/1100/1187	9 Shot-01-04-04
Remington 870/1100/1187	10 Shot-01-04-05
Winchester 1200	7 Shot-03-04-02
Winchester 1200	8 Shot-03-04-03
Winchester 1200	9 Shot-03-04-04
Winchester 1200	10 Shot-03-04-05
Remington 870/1100 Lightweight	7 Shot-01-04-32
Remington 870/1100 Lightweight	8 Shot-01-04-33
Remington 870/1100 Lightweight	9 Shot-01-04-34
Remington 870/1100 Lightweight	10 Shot-01-04-35

### **Matte Blue Extensions**

Remington 870/1100/1187	7 Shot-Matte Blue-01-04-06
Remington 870/1100/1187	9 Shot-Matte Blue-01-04-08
Remington 870/1100/1187	8 Shot-Matte Blue-01-04-07
Remington 870/1100/1187	10 Shot-Matte Blue-01-04-09
Mossberg 835	7 Shot-Matte Blue-02-04-22
Mossberg 835	8 Shot-Matte Blue-02-04-23



*Standard on most Extension Kits*

### **Sling Swivel Base Clamp Kit**

Add strength to magazine extensions. These clamps come standard on all 9 & 10 shot extensions and are recommended for 7 & 8 shot extensions.

Rem. Win. Sling Swivel Base Clamp 1"	55-08-01
Rem. Win. Sling Swivel Base Clamp 1"	MB-55-08-02
Light Weight Base Clamp 20 gauge 1"	55-08-07



## SHOT SHELL CADDY / BOLT HANDLE

### Competition Shell Holder

Designed for the Shotgun Competitor. This shell holder fits on your belt for quick access to six 2 3/4 12 gauge shells. (will fit up to 1 3/4" belts)

Shot Shell Caddy 60-09-22

### Shot Shell Holder

With our shot shell caddy you can carry extra shells virtually anywhere. These 2 shell holders come standard with a steel back plate or plastic belt loop. You can mount them on your gun sling, your boat seat or carry them on your belt. The possibilities are endless. You can also mount several together for more shells. (Will accept up to 1-3/4" belt)

Shot Shell Holder (Belt Loop Model) 60-09-50

Shot Shell Holder (Back Plate Model) 60-09-51



### Combat Bolt Handle for 1100 and 11/87

This bolt handle was designed to replace standard Remington semi-automatic bolt handles. They made of heat treated steel treated to a hardness of 54 Rockwell. The combat bolt handle allows you to quickly manipulate the bolt of your semi-auto shotgun regardless of firing position. No gunsmith required. Simply pull out your old bolt handle and push in the new one.

Combat Bolt Handle 01-10-02



## CHOATE BOLT ACTION RIFLE STOCKS



### Mauser 95-96 & 98

Our Mauser 95-96 & 98 are made from fiberglass filled polymer. These stocks come with a trigger guard, quick detachable sling swivel studs, and a rubber recoil pad. The barrel channel is made for the Military Issue Barrel, but can be inletted to some barrel contours. These stocks have blind bottom magazine boxes. There is no inletting for the original floor plate assembly. Just transfer your spring and follower. Center to center of the action screws for the 98 Mauser is 7.835 inches or 7 13/16 inches. Center to center of the action screws for the 95-96 Mauser is 7.620 inches or 7 5/8 inches.

Mauser 95-96 Stock

Black-10-06-02

Mauser 95-96 Stock

Grey-10-06-04

Mauser 98 Stock

Black-10-06-12

Mauser 98 Stock

Gray-10-06-14



### Savage 110 Stocks

This stock is for the long action like the 270, 30-06 and 7 MM mag. Made of fiberglass polymer with a rubber recoil pad and quick detachable studs.

Savage 110-E

06-06-02

Savage 110-E-S.S.

06-06-04

ORDER TOLL FREE 1-800-972-6390





# THOMPSON CENTER ACCESSORIES

## Encore Folding Stock

This is our folding stock for the Encore rifle. It has a cast steel arm and housing with a 3/4 inch rubber butt pad. These stocks are made to take the beating of the magnum calibers that the Encore comes in. When folded it makes a very compact package for transport. BATF regulations apply.

T/C Encore Folder

Black-09-01-08



*Encore Folder*

## Encore Conventional Stock & Forends

These stocks are the same ones we furnished to Thompson/Center Arms Co. Like all of our stocks, they are covered by our life time warranty. The pronounced pistol grip on this stock helps reduce felt recoil by distributing part of it into your hand and arm, this allows you to take the recoil over a larger area. This is very helpful with the magnum calibers that the Encore is available in.

T/C Encore Butt Stock

Black-09-01-40

T/C Encore Muzzle Loader Forend

Black-09-02-14

T/C Encore Rifle Forend

Black-09-02-16



*Encore Muzzle Loader*

## T/C Contender Survival

The T/C Contender Survivor stock gives you a place to carry ammo and supplies in the butt stock. The storage compartments are opened by removing the thumb screw on the back of the stock and hinging the butt plate down, this allows access to the two **7 1/2 INCH DEEP BY 2 INCH TALL BY 1 INCH WIDE COMPARTMENTS**. This stock is our answer for the Contender fans that keep their carbine with them all the time. You can not use this stock with a barrel shorter than 16 inches. BATF regulations apply.

T/C Contender Survival Stock

09-01-12



*T/C Contender Survival Stock*

## T/C Contender Pistol Grips & Forends

Our Contender Pistol Grips & Forends give the shooter the comfort and control you expect out of your pistol. The pistol grip features finger grooves and rubber inserts to reduce felt recoil. The toothpick forend is thin so your pistol is easy to carry and fits easily into large holsters. These are available for both 10 and 14 inch barrels. **FORENDS WILL NOT FIT THE 14 INCH BULL BARREL.**

T/C Contender Grip

09-03-02

T/C Contender Forend 10" 1 Screw

09-02-08

T/C Contender Forend 14" 2 Screw

09-02-10



*T/C Contender Pistol*



## THOMPSON CENTER ACCESSORIES



### T/C Contender Butt Stock & Forend

These are the same as we furnish to Thompson/Center Arms Co. these stocks and forends make your Contender comfortable to shoot and you still have a compact, light, and easy to handle rifle. Please specify 1 hole or 2 hole forend.

T/C Contender Conventional Stock Black-09-01-04

T/C Contender Forend 1-Hole Black-09-02-04

T/C Contender Forend 2-Hole Black-09-02-06

T/C Contender Forend 2-Hole

Bull Barrel Black-09-02-02

This forend fits the 14" bull barrel only.



### T/C Contender Folding Stock

The Contender folding stock is the answer for contender users that want a small compact rifle that can be easily stored and made ready to shoot in just a second. With an all steel cast housing and hinge these stocks will take the hardest use you can dish out. Comes with a 3/4" rubber recoil pad and sling loops on bottom of the grip and the top of the folding housing. All BATF regulations must be complied with when using this stock.

T/C Contender Folding Stock Black-09-01-06

T/C Contender Folding Stock (S.S.) Black-09-01-10

## CHOATE PERSONAL DEFENSE ACCESSORIES



### Letter Openers II

Made of exotic fiberglass filled plastic. These letter openers can be driven through 1/2 inch plywood with minimal damage, needing only to be re-sharpened. Measure 1 3/16 inch wide, 7 3/4 inch long and blade length of 4 1/2 inch. Weight only 2 ounces. These letter openers can be carried under a watch band, in a sock, shirt or jacket. It can also be worn on a lightweight cotton string around the neck or taped anywhere on the body.

Executive Letter Opener II 50-08-31

BULK 50-08-32



### Executive Ice Scraper

Made of black fiber-filled plastic. Measures 2 5/8 inch wide, 3 1/2 inch long and 3/8 inch thick. These ice scrappers are held by inserting the middle finger in the hole, with rounded end in palm, making a fist. Can be used as ice scraper, key ring and ideal for ladies self-defense weapon. Lifetime warranty.

Executive Ice Scraper 50-08-11

BULK 50-08-12



### High Visibility Shell Follower

Avoid spring failure by using one of our High Visibility Shell Followers. It will protect your spring and you will be able to tell from a glance if your gun is loaded or not with the Hunter Orange Color of the follower.

Remington 870/1100/1187 Shell Follower 01-05-02

Mossberg 500/600/590 Shell Follower 02-05-02

Winchester 1200/1300/1400 Shell Follower 03-05-02

Ithaca 37 Shell Follower 04-05-02



### ACE Spade

The ACE is a great personal defense weapon. It is made of fiber filled plastic so it is light and durable. It has a convenient push-pull shape and can be attached to a key-chain. Measures 3-3/4"x2-1/4"x3/8"

ACE Spade 50-08-01

BULK 50-08-02

**BULK ORDER - 100 OR MORE**

**ORDER TOLL FREE 1-800-972-6390**





## H & K FOLDERS



Developed to maximize the concealment and maneuverability of your assault weapon in tight quarters these stocks are the same stocks that we sell to Heckler and Koch and they put on their factory weapons. They are quick opening and are very durable. They come with the Choate Logo as well as the Choate lifetime warranty.



Same stock we supply to H&K. Fits the 93-94 . Must have a 16 inch barrel or longer to be legal or be registered with the BATF.

**H&K 93-94 folding stock**      15-01-03

The same folding stock we supply to H&K. Quick opening, locks solid in the open position. Fits most 91 rifles variants including the CENTME. Only legal for rifles with 16 inch or longer barrels or on an BATF registered weapons.

**H&K 91-G3 folding stock**      15-01-02



Same folding stock we supply to H&K, fits the MP5PDW and SP89. Only legal for rifles with 16 inch or longer barrels or on an BATF registered weapons.

**H&K MP5PDW Folding stock**      15-01-04





# NEW!! H & R VARMINT STOCK



Turn your H&R Handi-Rifle or Sportster in to a varmint rifle. The varmint stock will give your rifle all the qualities needed to be a varmint or target gun. It has our spacer system for adjustable length of pull and raises your line of sight to accommodate for all optics. A cheek piece can be added for use of tall style scope mounts. Stock will fit all NEF and H&R single shot rifle and shotguns except the 10 ga.

NEF and H&R Varmint Forend with Bipod "T" rail.  
NEF and H&R Varmint stock

19-02-08  
19-01-16

## Survival Stock

The H & R Survivor stock has a 3 1/2 x 7 x 1 inch storage compartment that lets you store ammunition or survival gear. The butt pad has a thumb screw that lets you swivel the pad to the side for easy access to the storage. Our Store-Arm forend has two storage compartments one 1 x 1 1/2 x 5 1/2 inches and one 1 x 1 1/2 x 3 inches. It has a thumb screw that lets you remove the forend to get to the storage and allows for quick disassembly of the gun.

## Conventional Stock

We also offer a conventional-style stock and forearm for these guns. The stock has a rubber recoil pad and sling swivel studs. For a compact home defense weapon you can put a pistol grip and store-arm forend together for an overall length of 26". The barrel must be 22", with the grip, in order to comply with BATF. These stocks fit 12, 16, 20, 28, .410 GA. and all rifles.

## Tamer Stock

Our Tamer stocks give you the convenience to store shells on your H & R firearms. They will aid in speeding up your followup shots with your single shot shotgun by placing extra shells into easier reach.

H & R Survivor Stock	19-01-06	H & R Pistol Grip	19-03-02
H & R Store-Arm Forend	19-02-02	Tamer Buttstock .410 Model	19-01-12
H & R Conventional Stock	19-01-08	(holds 4 shells)	
H & R Conventional Forend (Has 1 inch swivel stud)	19-02-04	Tamer Buttstock 20 Gauge Model	19-01-14
H & R Youth Stock	19-01-24	(holds 3 shells)	
H & R Monte Carlo Stock	19-01-26	Tamer Buttstock 12 Gauge Model	19-01-22
H & R Tamer FE	19-02-06	(holds 3 shells)	
(Does not have swivel stud)			



*Survivor Stock Store-Arm Forend*



*Monte-Carlo Stock & Conventional Forend*



*Choate Stock for H & R Tamer .410 Model shown 4-shells*



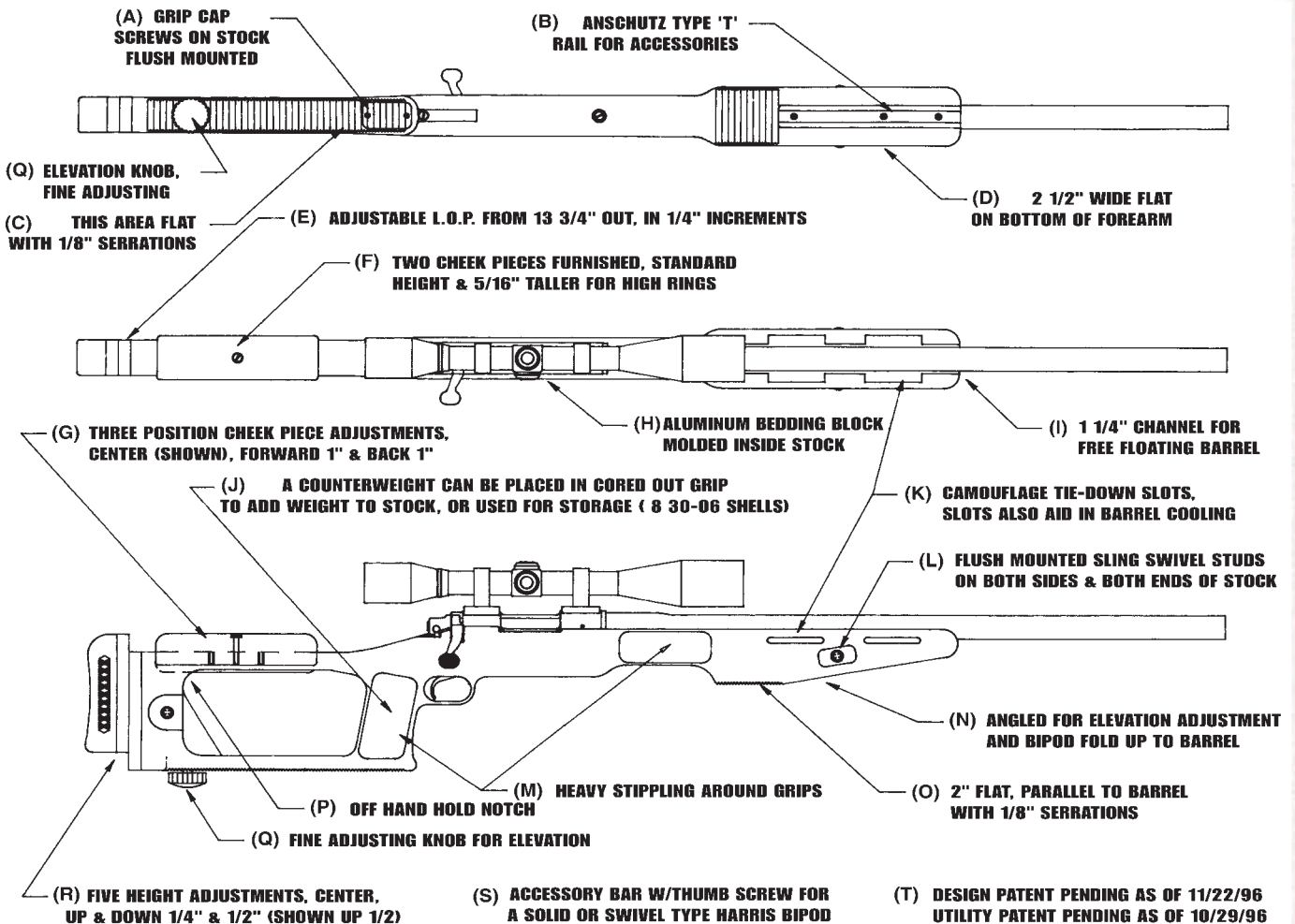
# THE ULTIMATE TARGET AND SNIPER STOCK



**DESIGNED & ENDORSED BY  
JOHN PLASTER**

\* Design Patent Pending  
\* Utility Patent Pending

Remington 700 Short Action	22-01-09
Remington 700 Long Action	22-01-11
Remington 700 Short Left	22-01-13
Remington 700 Long Left	22-01-15
Savage Short Action	22-06-05
Savage Long Action	22-06-01
Savage Short Action Left	22-06-07
Savage Long Action Left	22-06-03
Winchester 70 Short Action	22-03-03
Winchester 70 Long Action	22-03-01





## FEATURES

(A) The grip cap covers a storage area in the stock. For some snipers, the weight of the rifle is not a factor. And in some cases extra weight is wanted. If you need more weight to your stock you may pour the cored out area full of lead shot and screw the cap back on. It is also possible to put basic (pull through) cleaning kit in this area. We also noticed that eight 30-06 rounds will fit in the grip for emergency ammo.

(B) This "T" rail allows many accessories to be placed on your rifle. We furnish a solid steel "T" bar with a detachable sling swivel stud installed. This is for the mounting of a Harris bipod. Many other accessories may be mounted on this bar. The "T" bar has a quick detach thumb screw. Some snipers will want two bipods mounted, short for prone and tall for sitting position. Additional "T" bars are available at a nominal cost. Also any accessory that fits a Anschutz rifle will also fit this "T" rail.

(C) This area is flat to stabilize the rifle when shooting from a rest. It is 1 1/2" wide and heavily serrated. The elevation fine adjusting knob (Q) can be removed, leaving a 3/8 threaded hole and the stock totally flat on bottom.

(D) The forend is 2 3/8" wide to also assist in holding the rifle in a stable shooting position.

(E) The length of pull can be adjusted from 13 1/4" out. The stock comes with one 1/2" adjusting spacer. Additional spacers are available at a nominal cost. They come in 1/4, 1/2 and 3/4 inch in thickness. You will also get a set of longer screws when you order additional spacers. (note: we designed the stock, starting short, to fit the law enforcement snipers that must wear thick body armor.)

(F) The stock is furnished with two cheek pieces. The standard height is for low scope rings. The tall cheek piece is for the big lens scopes that require the tall rings.

(G) The position of the cheek piece is adjustable. There are three positions to accommodate all shooters. Also the cheek piece can be turned around for the left hand shooters.

(H) The bedding block is the most important part of the stock. The receiver of the rifle only touches the stock/bedding block in four places, both sides of the "V" in front and in back. The pillar blocks allow a 55/65 inch lbs. torque on the receiver screws which is not possible with wood or most synthetic stocks. The CNC machined bedding block in molded inside the stock, not fiberglassed in after the stock is made.

(I) The barrel channel is large enough to free float a 1 1/4" diameter bull barrel.

(J) See feature (A)

(K) The four slots are for the attaching of camo material. Most sniper experts agree that it adversely effects accuracy to attach camo to a barrel and there are no accommodations on most stocks for camo material. We haven't done any testing but common sense would tell you that the slots would also help dissipate barrel heat.

(L) These side mounted sling swivel studs go through a cored hole in the stock. In "from rest" shooting, the conventional bottom mounted sling studs get in the way and are usually removed. Major Plaster explained to us, during the design phase of this stock, that a sniper crawling on his belly carries his rifle on top of his upper arm and/or across his back while holding the sling in his hand. A side mounted sling is perfect for this application.

(M) The stippling in the grip areas is unusually aggressive and rough to the touch. Major Plaster wanted it that way. Some shooters wear gloves and the rough texture is needed. If you want a smoother grip surface, sand the areas until the desired feel is found. The stock is about 1/4" thick in this area so don't worry about sanding the texture down. Also please notice that the front grip area is narrowed. It is this narrowed size to accommodate a one hand carry of the rifle. Major Plaster complained that most sniper/tactical stocks are very fat in this area and very difficult to carry one handed (suit case style) at the balance point. We fixed the problem.

(N) This section of the forearm had a pronounced angle for two reasons. When the bipod is folded up it doesn't leave a 2" gap between it and the barrel. The bipod feet are very near the barrel and will catch fewer limbs and twigs when crawling prone. The second reason for the angle is for quick elevation adjustment of the barrel when the forend is resting on a support. When you push the stock forward the barrel goes up. When you pull the stock back the barrel elevation is lowered. This is so simple that no one seems to have thought of it before or didn't think it was important enough to include on a stock.

(O) This flat surface, parallel to the barrel, is for the shooters that have/use sandbags. We are told that real snipers wait and watch much more than shoot. It is helpful if the rifle doesn't fall over every time you take your hands off the rifle. This area has heavy, 1/8", serrations as on the bottom of the butt area.

(P) This off hand holding notch has been on machine guns since before World War II. The advantage of this feature in a sniper stock is that you can now hold your butt stock on your shoulder with your off hand. This allows the trigger hand to relax and concentrate only on the trigger pull. This off hand hold has been proven to be beneficial over the years. It is a feature that the expensive, labor intensive, hand laid fiberglass stock makers find very difficult to incorporate into their design.

(Q) This is a fine adjusting screw for elevation. The bench rest shooters and prairie dog hunters will really like this feature. Consider this, a one degree turn on this elevation screw will raise or lower the stock only .00017 of an inch. This is truly fine adjusting. This screw has about 2" of engagement and can be removed with ease when not needed. It is very easy to adjust with the thumb and index finger on either side of the stock. We have found, in the prototype stage of design, that the coarse adjustments can be made with the bipod legs and the 'spot-on' adjustment done with the screw.

(R) The rubber recoil pad has five height settings possible. The center setting lines up with the stock and there is two 1/4" positions up and two down. One of these five positions will surely meet your needs.

(S) The bipod "T" bar, mentioned in (B) is made from solid steel and is about 5" long and it will fit the swivel type or solid bipod. There are many different uses and applications for this accessory other than a bipod. If you have a need for a special accessory, your local gunsmith won't have any trouble duplicating the dimensions.

(T) We, Major John Plaster and Choate Machine & Tool, Inc., have a design patent pending as of 11/22/96 and a Utility patent pending as of 10/29/96.

There are some points of interest not mentioned above that we will mention here. The ULTIMATE SNIPER stock has our usual LIFE TIME WARRANTY. The stock is made of DuPont Rynite SST-35. It is one of the most expensive polymers and the most suitable for gun stocks if weight is not a consideration. We mold the stock in dark O.D. green color. Rynite takes paint very well so you can paint your stock with almost any automotive spray can paint. The available duck boat camo paint works very well. The rubber recoil pad is a little on the stiff side because it is much more durable at this durometer than a cushy pad, with a 3/4" compression, can allow a shooter to get a scope eye piece hit in the eyebrow. Hell, you could loose your scopes ZERO on a deal like that.

We predict that this stock will be a benchmark for sniper rifle stocks in the future. We have features that the hand laid fiberglass/kevlar stock makers cannot incorporate into their stocks. What we have done is eliminate most of the expensive hand labor and passed the savings on to you. We are keeping the price down so that most rifle owners can afford a stock. We realized the only way for this stock to sell enough to pay off the expensive tooling cost was to get the price low enough so the average guy can buy one. There aren't enough real snipers, military and police, to support this project if every one of them bought a stock. We think that there will be many deer rifles installed in this stock. Most shooters know what free floating the barrel and a bedding block does for a rifle, it closes the group to about 1/2 it's normal group.

We showed this stock for the first time at the 1997 SHOT show. We have never had a product that generated so much interest and excitement. Every dealer and distributor that saw it wanted to stock it. Major John Plaster did an outstanding job on this stock design and he gets full and total credit for it. We would like to mention his book THE ULTIMATE SNIPER. It is everything you ever wanted to know about sniper rifles and sniping. He has also produced two Videos on sniping that go into great visual detail on sniping and the equipment. His latest book is about this three tours in Viet Nam with the Special Forces. The book title is S.O.G. You can purchase these books and videos from Delta Group. Their order number is 1-800-852-4445. For information concerning stocks call us at 1-800-972-6390.



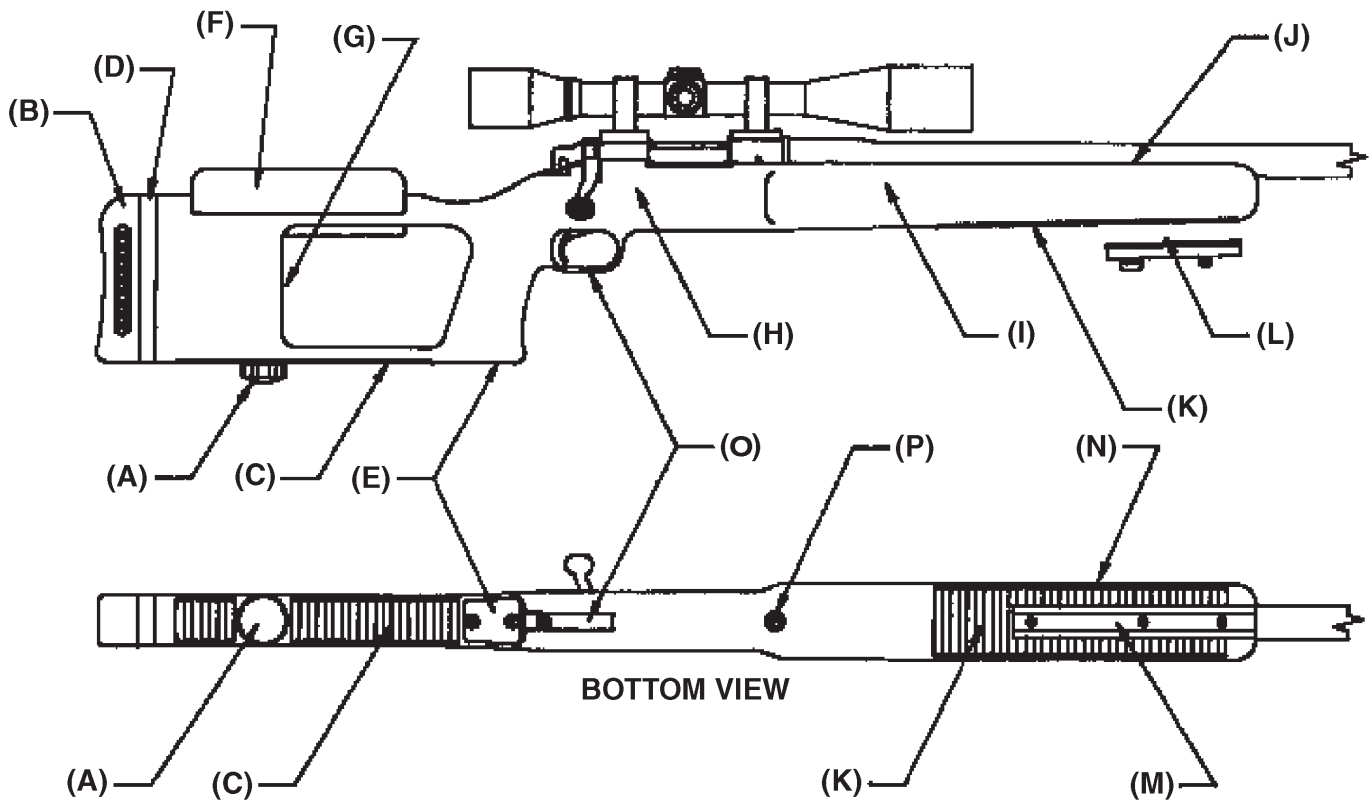


# THE ULTIMATE VARMINT STOCK



Remington 700 Short Action	24-01-10
Remington 700 Long Action	24-01-12
Remington 700 Short Left	24-01-14
Remington 700 Long Left	24-01-16
Remington Detachable Magazine	
Short Action	24-01-18
Savage Short Action	24-06-04
Savage Long Action	24-06-02
Savage Short Action Left	24-06-08
Savage Long Action Left	24-06-06
Winchester 70 Short Action	24-03-04
Winchester 70 Long Action	24-03-02

**\* DESIGNED BY MAJ. JOHN PLASTER U.S. ARMY RET., ONE OF THE WORLDS LEADING AUTHORITY & INSTRUCTORS IN LONG RANGE VERY ACCURATE SHOOTING**





## FEATURES

- (A) This is the elevation adjusting knob. If you are on a hard surface you can use it without the block. If you are in the field we suggest you can carry a 2" x 4" x 6" wood block. You can make your coarse adjustment with your bipod and one of the block heights will put you in your adjusting range of the screw. The screw removes completely one degree rotation for seventeen millionths of an inch. You can get really fine on your elevation adjustment.
- (B) This is a 1 inch thick rubber recoil pad. If you are shooting a big caliber rifle you will appreciate this 'cushy' pad.
- (C) This area has coarse 1/8" serrations. These are to assist in holding the rifle in place while shooting from sand bags. This area is also flat bottom. The rifle sits upright, it doesn't have to be held constantly.
- (D) This is a 1/2" spacer that can be removed for a shorter length of pull. Your stock will come with 1/4", 1/2" and 3/4" spacers and the screw set to give you many combinations of length of pull you need. The spacer blocks are interlocking (nesting) so alignment is assured.
- (E) The grip cap is held in place by two screws. Inside the grip is a void to save plastic. This can be used to insert a counter weight if you need more stock weight, or you can put emergency ammo in the grip. It will hold 8 rds. of 30-06 ammo or what ever.
- (F) This stock comes with two cheek pieces. You get a regular height and 5/16" taller. The taller cheek piece is for the people who use the big objective lens scopes and then have to use the tall rings. You have the option of three locations, center, forward and back. You also have the option of reversing the cheek pieces if you are left handed. The cheek pieces are thick so you can shave, grind or sand them into a custom height or contour.
- (G) This is the off-hand notch. We learned this trick from the German MG-42 machine gun. We also designed and built the new NAVY/MARINE M-240 machine gun stock with this same feature. When you use a bipod or shoot from a sand bag you can use both hands to hold the butt of the rifle in place and steady on your shoulder.
- (H) Molded inside the stock is a bedding block that is C.N.C. machined from a solid billet of aluminum. The receiver screws are also supported by solid aluminum pillars that are part of the bedding block/forearm insert. The rest of this machined part is the 'U' channel (I) that is molded into the forearm barrel channel. This adds rigidity and stability to the forearm area that had never been accomplished before in a molded stock. The bedding block, support pillars and barrel 'U' channel (I) are all one piece. Anyone that has any experience in machining or stock making will tell you that this is the very best way to make a rifle stock.
- (I) Like (H), this is the forearm 'U' channel that is molded into the stock for rigidity. It is welded to the bedding block.
- (J) The barrel channel is 1 1/4" wide. This will assure that any production rifle barrel will be free floating. This clearance ensures that your receiver only touches your stock in five places, both sides of the front and back 'V' bedding block and the recoil lug area. If you have a custom rifle barrel that is larger than 1 1/4" you can simply inlet it as you would a wooden stock.
- (K) This area has coarse 1/8" serrations to retard the rifle from sliding or slipping on sand bags.
- (L) This feature is a quick detach bipod adaptor. We have a patent on this design. It fits a Anschutz type rail imbedded in the bottom of the forearm. You can now install or detach your bipod in seconds. Simply turn the thumbscrew and slide it in or out. Some Law Enforcement officers and varmint hunters will really appreciate this feature. You have the option of using a bipod to shoot from a sand bag, you can have a short leg bipod for prone shooting and a long bipod for shooting in tall grass from a sitting position. All these options can be done in a few seconds. The bipod adaptors are designed for the very well engineered Harris bipods. Extra adaptors are available, contact us at 1-800-972-6390.
- (M) This is the bipod adaptor rail. The rail is flush with the bottom of the forearm and held in place with three #10 machine screws. An endless variety of accessories can be put into this port from the bipod, to night light, to you name it.
- (N) The forearm is 2 7/16" wide. This helps the rifle stability while shooting from sand bags or a solid horizontal rest.
- (O) The trigger guard is molded in place as part of the stock. It is larger than usual to allow the shooter to wear gloves when necessary.
- (P) We furnish you with a new set of receiver screws. They are grade 8 Tool and Die quality hex socket machine screws. They should be torqued to 55 to 65 inch pounds (NOT FOOT POUNDS) of torque. Without the aluminum bedding pillars this would not be possible. Try this in a wood or plastic stock and you will split it wide open. This high torque assures that your rifle and new Choate stock are bolted together until you want them apart.



## FOLDING SNIPER STOCK

The folding sniper is built off of the designs of Maj. John Plaster, U.S. Army retired. It takes away the two bulkiest parts of the stock in order to make it light and maneuverable. (The aluminum v-block that makes the Ultimate Sniper so accurate is also utilized in the Ultimate Sniper Folder.) The recessed front hand grip is still present but the sloped forearm is cut off so there is no t-rail bipod adapter. The adjustable butt stock is removed and a folding housing and arm added. The arm is molded with a fixed cheek piece to raise the shooter's line of sight. The Ultimate Sniper Folder folds to make the rifle 10-1/2 inches shorter than when extended. It weights only 3-1/2 lbs. That makes the Ultimate Sniper Folder 1/2 the weight of our Ultimate Sniper Stock. This stock is great for a pack rifle or for use in a patrol car.

Remington 700 Short Action	22-01-27
Remington 700 Long Action	22-01-28
Remington Detachable Magazine	
Short Action	22-01-29
Savage Short Action	22-06-10
Savage Long Action	22-06-09
Winchester 70 Short Action	22-03-06
Winchester 70 Long Action	22-03-05



## RIFLE STABILIZER

Choate Machine and Tool is now distributing a revolutionary shooting support. It was developed by a renowned sniper instructor, Major John Plaster, and promised to dramatically improve rifle and handgun accuracy in all offhand shooting positions.

This new device dubbed, The Rifle Stabilizer, clips over the shooter's belt. It can be carried conveniently out of the way when walking; yet, folded up in an instant to provided a stable shooting platform. In test by a Palma Team Rifleman it was reported, "I found the Rifle Stabilizer to cut my off-hand groups in half. It is truly awesome!" In another test, firing a .223 rifle, Plaster was able to hit a bowling ball size target offhand at 500 yards.

The stabilizer equally improves sitting and kneeling shooting and can be used with any rifle, pistol, shotgun, binoculars, spotting scope, or cameras. Fred Choate said, "I couldn't believe how steady I could hold my handgun and how accurately I could shoot." The stabilizer comes with interchangeable tips to accommodate pistols or rifles.

Unlike various bipods and shooting supports, the Rifle Stabilizer adds no weight or length or bulk to the firearm, and dramatically steadies even the heaviest rifles. Intended primarily for hunters, it hangs free at the shooter's side when not in use, then can be raised instantly for accurate, supported shooting.

"We are confident in this product," said Choate. "In fact, we'll refund its price to anyone whose offhand groups aren't cut in half, but I don't think shooters will want to part with it after using it."

Rifle Stabilizer

60-09-21





## MISCELLANEOUS PARTS



### Choate's E-2 Style Stock for M-16 & AR-15

Here is an alternative to the G.I. Stock. Made of tough fiberglass polymer. This is the same material the army uses on their rifles. Our stock adds 3/4" to the length of pull and almost doubles the amount of storage space. This stock also features an "Off Hand" notch to grasp when firing from a prone position using a bipod. A butt plate is not included. The G.I. issue butt plate fits the stock.

M-16/AR-15 E-2 Butt Stock

16-01-02



### Choate Steel End Caps for HK

Now you can replace your plastic end cap with a solid steel end cap from Choate. These end caps are made of 4140 steel and are blued to match your weapons finish. Install by simply inserting two pins. Recoil buffer installed.

Choate Steel End Cap for HK MP5K & SP-89

15-01-09



*Mini-14 Extended Pad*

### Extended Butt Pads

This butt pad is made of a rubberized plastic material that really sticks to the shoulder. This pad also adds 1" to the length of the pull. Fits 10/22, Mini-14, Ruger 44 Mags. and Ruger #3 Single Shot.

10/22 Mini-14 Extended Butt pad

07-10-04



*M-16/AR-15 Extended Butt Pad*

The issue M-16/AR-15 stock is too short for some people. This pad lengthens the stock by 1 1/4". Made of black fiberglass filled plastic and installs in minutes using a screwdriver and a 5/32" allen wrench.

M-16/AR-15 Extended Butt pad

16-09-02



### Clip Connectors

Now you can increase your fire power 100% with Choate's Magazine Clip Connectors. Constructed of two steel plates on front and back and a plastic filler blocks in the center. This superior design has several advantages. Both clips point upward. This enables the shooter to use a bipod in a prone position without damaging the feed lips or getting dirt in the magazine. To load the second clip, just move the first clip over 1" and reinsert.

M-16/AR-15 Clip Connector

51-08-01

AK47 Clip Connector

51-08-06

### Mini-14 Recoil Compensator

Choate Recoil Compensator for Mini-14 made of solid steel, bath blued or S.S. Both models sight looks like the original M-14 Sight. The compensator is permanently attached to the gun barrel by a 1/8 inch spring steel roll pin. We suggest this unit be installed by a gunsmith.



Mini-14 Cage

Blue-07-07-12

Mini-14 Stainless Steel

07-07-13

M14 Look-a-Like

Blue-07-07-14

M14 Look-a-Like Stainless Steel

07-07-15



## ADDITIONAL INFORMATION

Our Ultimate Sniper and Ultimate Varmint Stocks have our usual lifetime warranty. They are made out of 20% fiberglass filled polymer. If you break your stock, send it back, we want to see it. Plus you will get a new one, free.

Major John Plaster, the stock designer, has done his usual fantastic job in design. His work has made him a legend in his own lifetime. We hope you will agree with us and realize that this stock is a run-away good deal. As far as we know we are the only company that offers a inject molded varmint stock. The only alternative to our stock is wood or the very expensive hand laid fiberglass stocks that are foam filled. What we have done is invest in very expensive, complicated and high tech tooling that eliminates all of the expensive hand labor. We pass the saving on to you. It's simply 21st. Century technology saving you money. We will attempt to answer some of the most asked questions in advance. Some are brand specific and may not apply to your rifle.

### **Q. "How much does the stocks weigh?"**

A. The Varmint weighs about 4 pounds and the Sniper weighs 6 pounds. Additional weight can be added in the grip area, inside the butt and the barrel channel. Epoxy and lead shot make a good weight and you can dig it out if you change your mind.

### **Q. "What is the difference between the Remington ADL & the BDL rifles?"**

A. The BDL, their deluxe rifle, has a hinged floor plate assembly. This allows you to remove ammunition through the bottom of your rifle. The ADL has a trigger guard only with out the hinged floor plate. The magazine well on the ADL is blind bottom & does not open to the bottom side of the rifle. All of the rifle manufacturers make a less expensive model with a blind bottom magazine well. Our stock also has a blind bottom magazine well. This way we can make a stock for both models without doubling our inventory. If you can't live without a hinged floor plate your local gunsmith will be glad to custom fit one to your stock just like installing it in a wooden stock. But don't ask us, we don't do custom work.

### **Q. "How do you install the shell follower & spring in the new stock?"**

A. Place it in the new stocks molded-in magazine well and set the rifle on top. Make sure it moves freely before you tighten and torque the screws down.

### **Q. "Will we ever make this stock for the Mauser or Ruger Mod. 77?"**

A. We are planning to make one for the Mauser 98 and Yugo 48 as well as the Ruger 77 rifles. We hope to release these models in middle to late 2006.

*Here are some dimensions that might help you identify your receiver length. These are the distances between the two receiver screws.*

Remington	short action	6.500	/	long action	7.350
Winchester	short action	7.031	/	long action	7.570
Savage	short action	4.275	/	long action	5.062

### **Q. "Do you make or plan to make; a stock for the Savage series 'J' rifle made between 1978 & 1985 that has a bolt spread of 4.500; the pre-64 Winchester / the Winchester left hand rifles / the Winchester, Savage & Remington long action detachable magazine rifles?"**

A. No, sorry, the demand is not great enough to justify the tooling expense or to add more models to our inventory. Example, some nice gentleman wanted a varmint stock for his WWI French Label. We have had two inquiries about a stock for the Lee Enfield that have the two piece stock. Give us a break guys. There are some things that just can't happen.

### **Q. "Can I put my BDL or ADL rifle in to one of the Detachable magazine stocks so I can use detachable magazines?"**

A. No, the feed lips on the BDL and ADL rifles are cut into the bottom of the action and the feed lips on the detachable mag. rifles are in the magazine itself.

*\*All stocks comes with 2 screws. The short bolt is attached on the front of the action and the longer bolt is used in the back of the action, close to the grip. Always tighten the front bolt first.*



## QUESTIONS AND ANSWERS

**Q. “What Remington rifle will your stocks fit?”**

A. Our Sniper and Varmint stocks will fit the current production model 700 long and short action rifles in right and left hand. We also make a short action Varmint and Sniper stock for the detachable magazine rifles. It will fit the Sportsman 78, 721 and 722 Remington rifle with a small amount of material removed from the safety area. We do not make one to fit the long action 700 detachable magazine rifles or the model 710, model 7, model 788 or the XP100 action.

**Q. “Do you make a stock to fit the Ruger 10/22 in .22 WRM or the Ruger Deer Field .44 mag.?”**

A. No, we don't have any plans to make stocks for these rifles at this time.

**Q. “Will my AK 47 fit the MAK 90 stock you make?”**

A. This stock was designed specifically for the MAK 90. We have had people put it on other AK 47's by modifying them. We do not do the modifications here, we recommend that it be done by a gunsmith.

**Q. “If I modify one of your parts and can't make it fit, can I send it back?”**

A. If you make a change to any of our products this will void your warranty. This includes but not limited to drilling holes, cutting, filing, carving, screwing or scratches. We have had stocks returned that have been cut off or fitted to guns they were not designed for, then when it did not work they returned the part for refund or replacement. If you break one of our parts or stocks, we will fix it or replace it as soon as possible. If the part does not work, contact us so we can fix the problem, if you modify it and it does not work, we will not replace your part.

**Q. “Can I put a pistol grip or folding stock on my Rem. 1100-1187 or Moss. 5500?”**

A. No, the spring and tube that pushes the bolt forward to function the action protrudes from the back of action for several inches and prevent the use of a pistol grip or folding stock.

**Q. “Do you make wood or custom stocks?”**

A. Sorry, we do not make wood stocks or do custom work.

**Q. “Will my Savage rifle fit in to one of your stocks?”**

A. All but the early short actions rifles will fit in one of our stocks. If your rifle has a center to center hole spread of 4.275 for the short action or 5.062 for the long action our stock will work. Some of the Savage 110 long action rifles come in short action calibers like 223 or 308 so you can't assume you have a short action based on the caliber. If you have a model 110,111, 1112, 114 or 116 your rifle is a long action if you have a model 10, 11, 12, or 16 your rifle is a short action. Our stocks will not fit rifles with detachable magazines.

**Q. “Will my Savage in 7mm STW or 300 Ult Mag work in your stock?”**

A. Yes, but there will have to be .200 of an inch removed from the front of the magazine box. This will not cause any structural problems with the stock. Our stocks work very well under the higher stress of the larger calibers.

**Q. “Does the Sniper or Varmint stock come with a bipod? What kind of bipod do you recommend?”**

A. No, we do not supply a bipod with the stock. We recommend Harris bipods for use on our bipod adapter.





**ULTIMATE VARMINT**



**ULTIMATE SNIPER**



**SYNTHETIC CONVENTIONAL**



**SHOTGUN SIDE FOLD & PICATINNY FOREND**

**CHOATE**  
MACHINE & TOOL, INC.

TEL (501) 724-6193  
FAX (501) 724-5873  
WATTS (800) 972-6390  
EMAIL [CCMTT@IPA.NET](mailto:CCMTT@IPA.NET)  
WEBSITE [WWW.RIFLESTOCK.COM](http://WWW.RIFLESTOCK.COM)

116 LOVERS LANE • P.O. Box 218 • BALD KNOB, AR 72010